

US00D628405S

(12) **United States Design Patent**  
**Pippin**

(10) **Patent No.:** **US D628,405 S**

(45) **Date of Patent:** **\*\* Dec. 7, 2010**

(54) **HITCH MOUNTED SHOOTING BENCH**

(76) **Inventor:** **Robert W. Pippin**, 105 Lynnbrook La.,  
Mooreville, NC (US) 28177

(\*\*) **Term:** **14 Years**

(21) **Appl. No.:** **29/350,037**

(22) **Filed:** **Nov. 10, 2009**

(51) **LOC (9) Cl.** ..... **06-04**

(52) **U.S. Cl.** ..... **D6/418**

(58) **Field of Classification Search** ..... D6/418,  
D6/312, 338, 406.1-406.6, 509-511, 491-492,  
D6/420; 211/90.01, 90.02, 100, 133.4; 42/94;  
218/37.04, 37.03, 37.13; 297/174 R, 170,  
297/172, 174

See application file for complete search history.

(56) **References Cited**

**U.S. PATENT DOCUMENTS**

127,562	A *	6/1872	Cloutier	.....	249/101
D309,065	S *	7/1990	Huff	.....	D6/429
5,491,921	A *	2/1996	Allen	.....	42/94
D383,621	S *	9/1997	Corpuz, Jr.	.....	D6/418
5,884,966	A *	3/1999	Hill et al.	.....	297/170

6,058,641	A *	5/2000	Vecqueray	.....	42/94
6,269,578	B1 *	8/2001	Callegari	.....	42/94
6,895,709	B1 *	5/2005	Krien et al.	.....	42/94
6,935,064	B1 *	8/2005	Thompson	.....	42/94
7,152,358	B1	12/2006	LeAnna et al.		
7,536,820	B2 *	5/2009	Wade et al.	.....	42/94
7,549,247	B1 *	6/2009	Reese	.....	42/94

\* cited by examiner

*Primary Examiner*—Caron Veynar

*Assistant Examiner*—Abraham Bahta

(74) *Attorney, Agent, or Firm*—Price, Heneveld, Cooper,  
DeWitt & Litton LLP

(57) **CLAIM**

I claim the ornamental design for a hitch mounted shooting bench, as shown and described.

**DESCRIPTION**

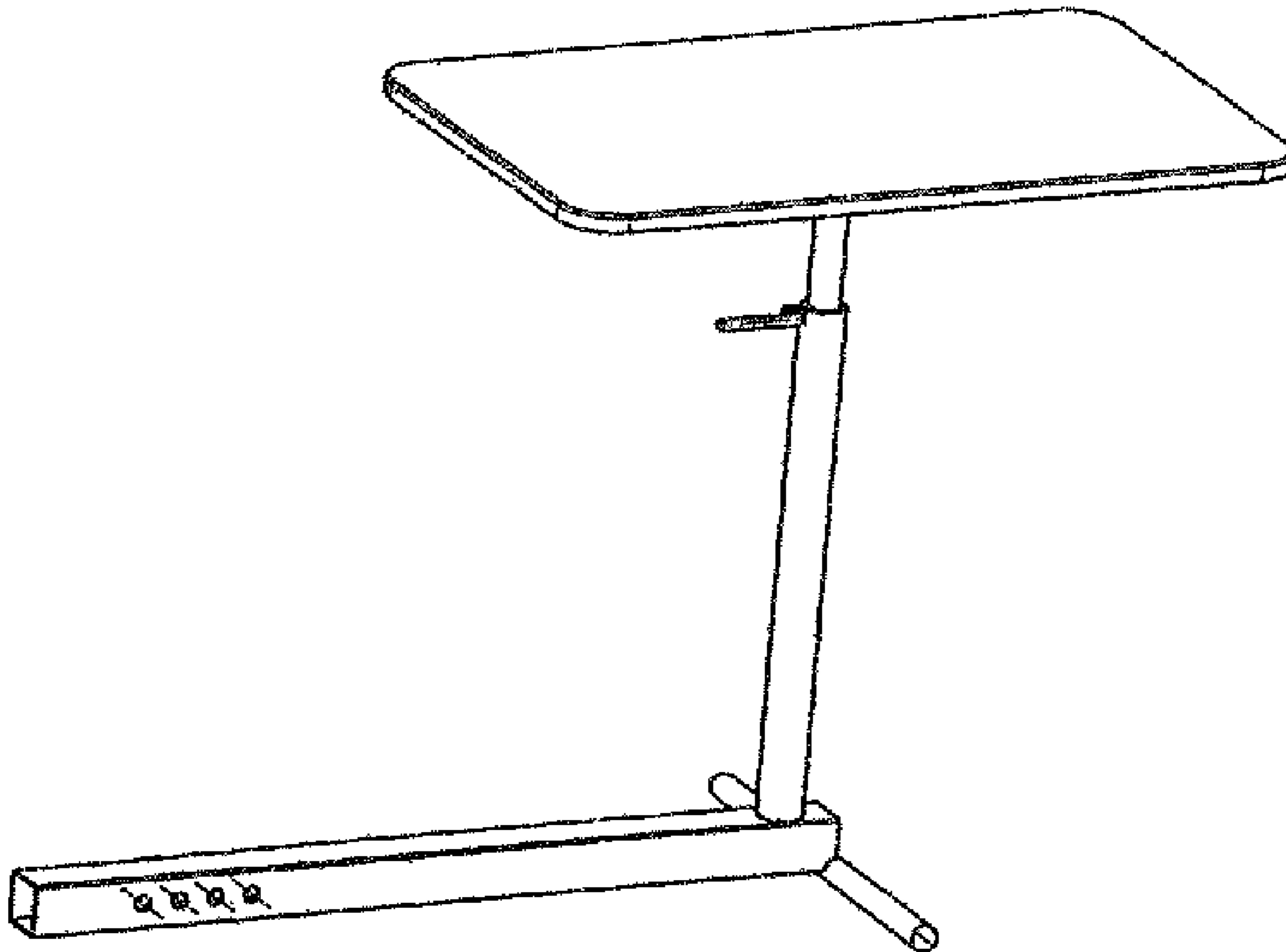
FIG. 1 is a perspective view of the hitch mounted shooting bench.

FIG. 2 is a top view of the article in FIG. 1.

FIG. 3 is a side view of the article in FIG. 1; and,

FIG. 4 is an end view of the article in FIG. 1.

**1 Claim, 1 Drawing Sheet**



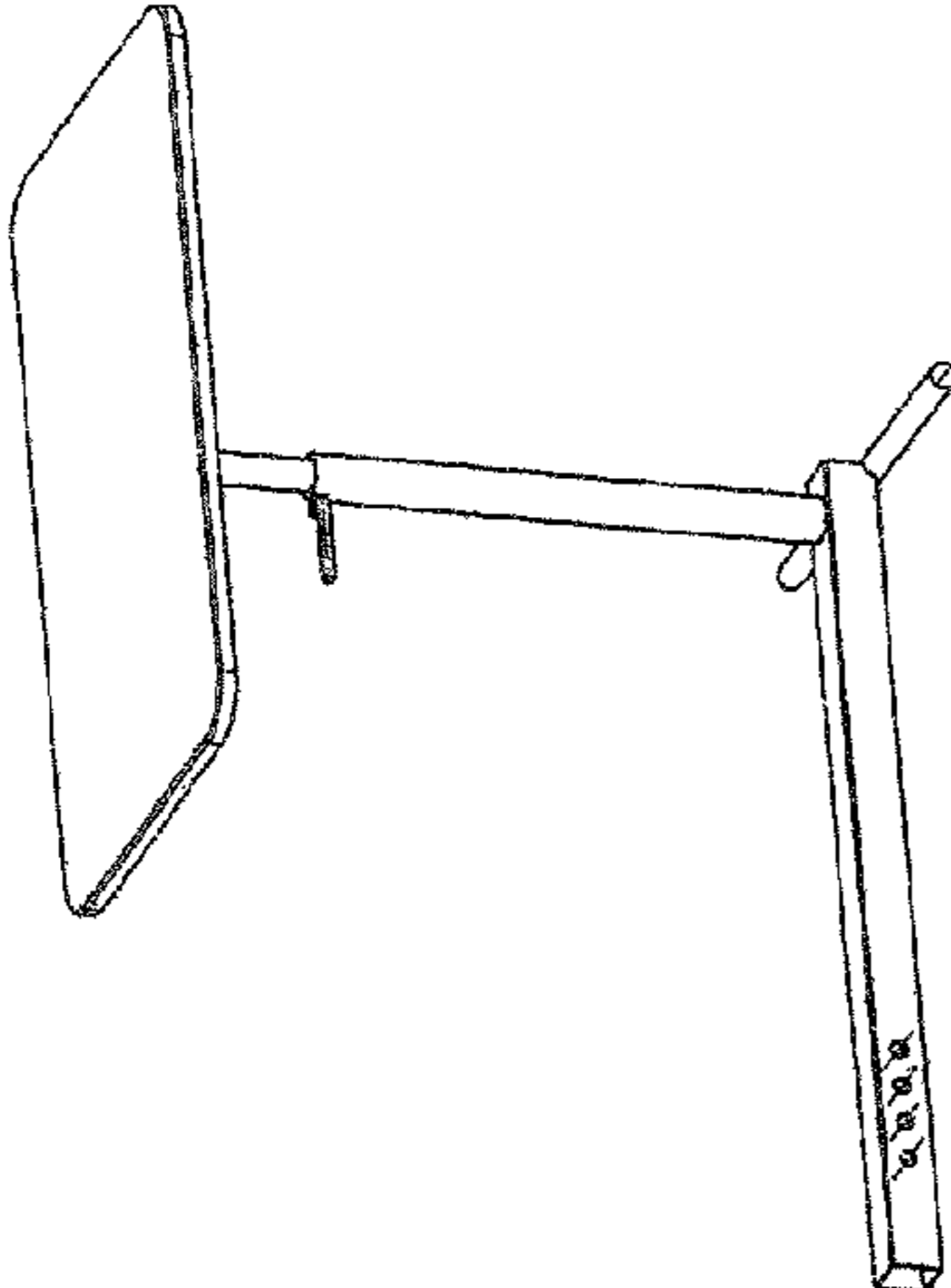


FIG. 1

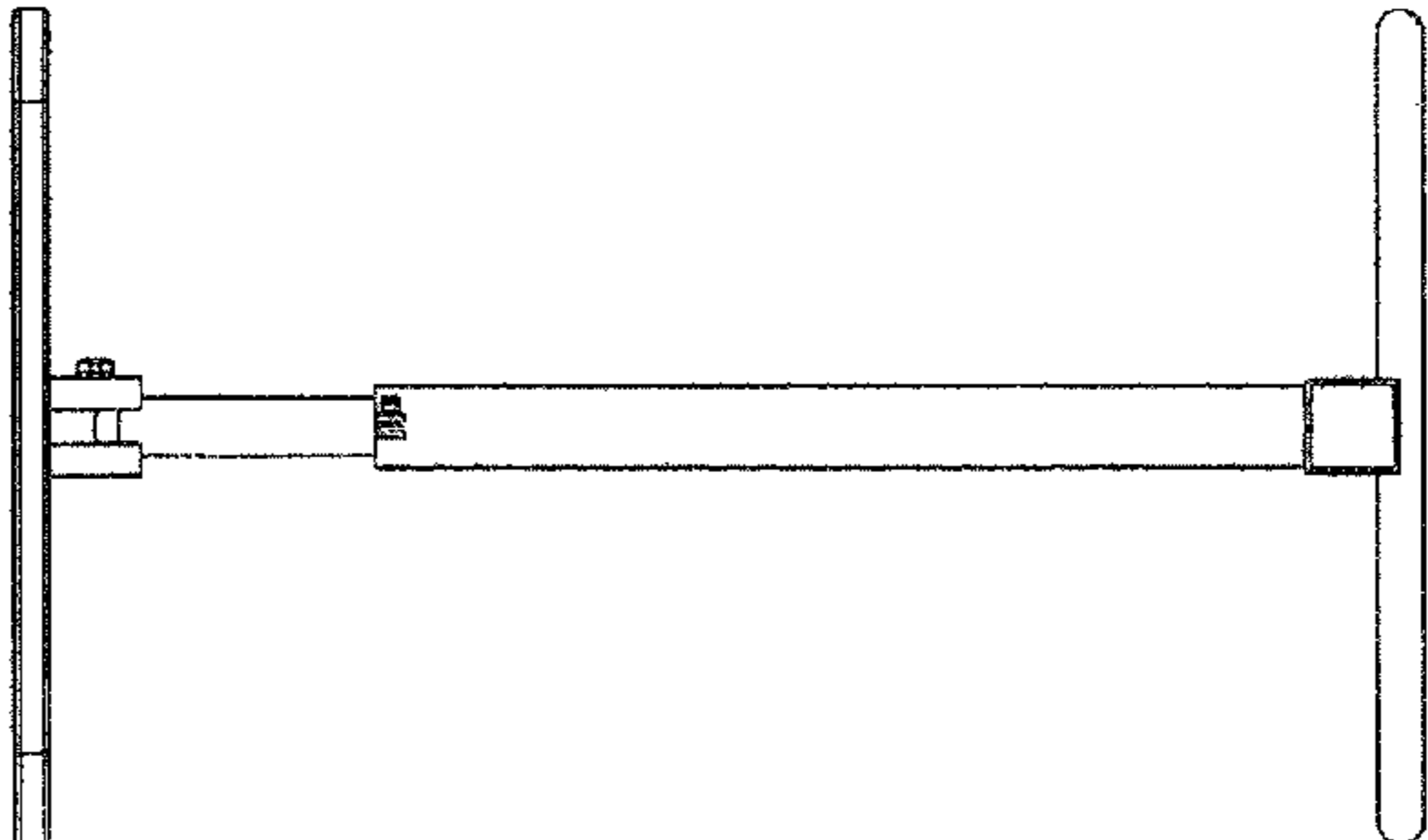


FIG. 4

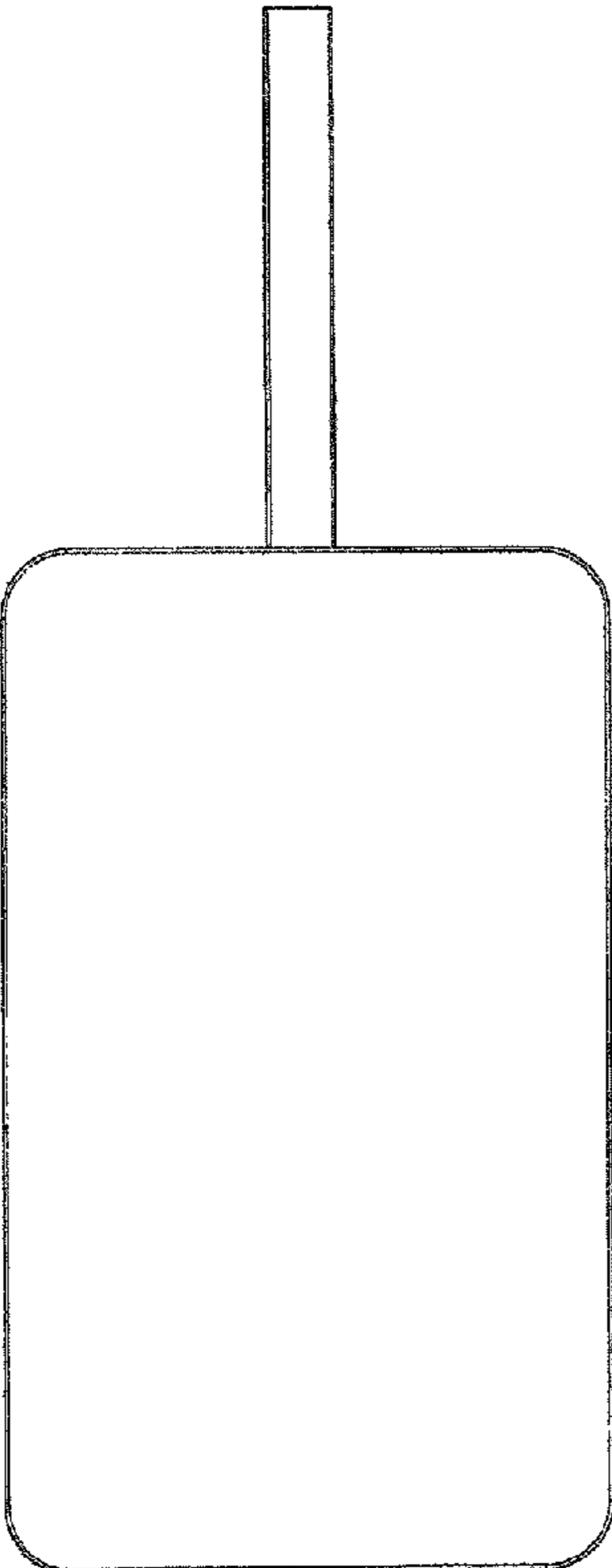


FIG. 2

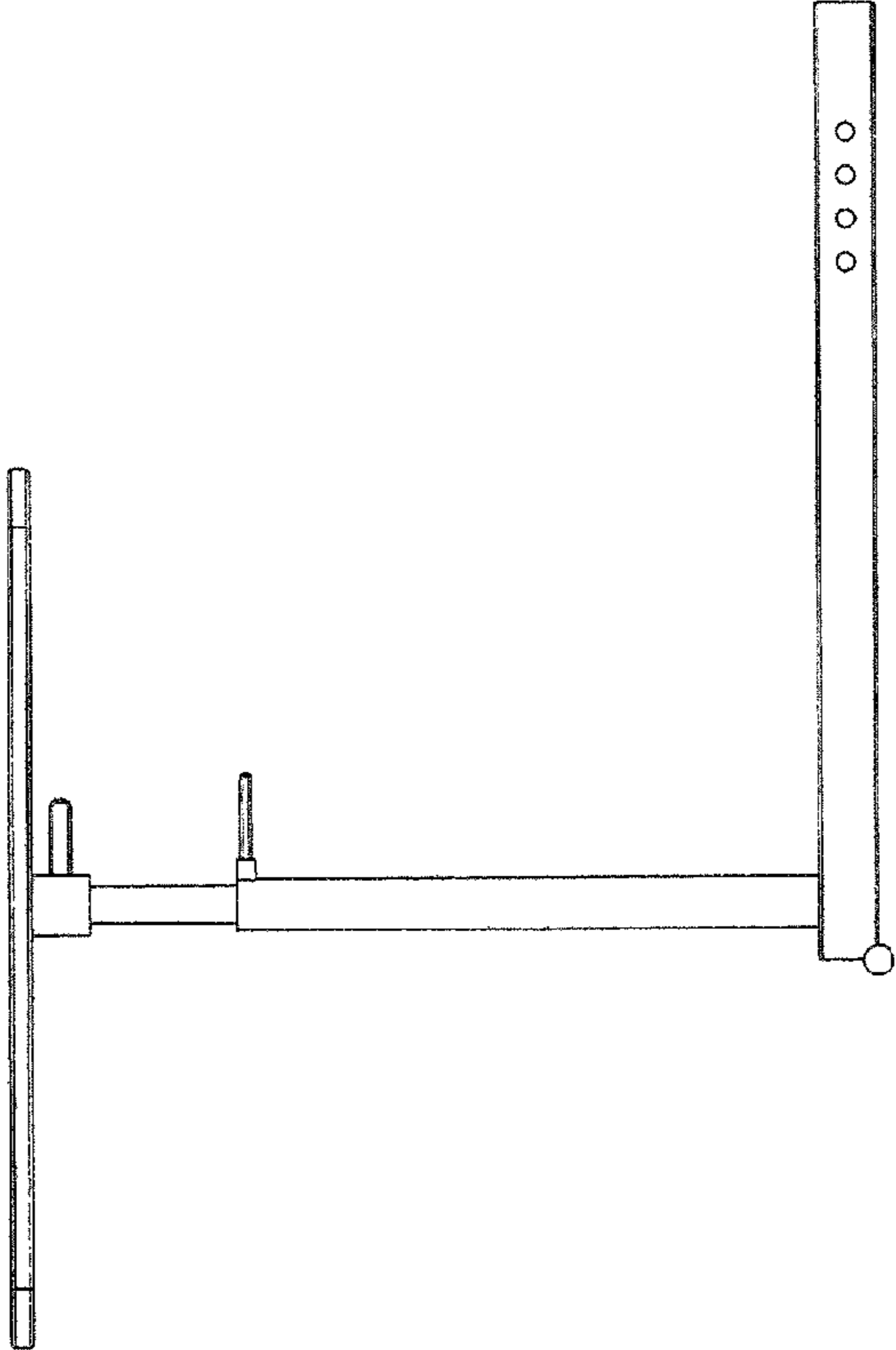


FIG. 3