



US00D628401S

(12) **United States Design Patent**  
**Podlaski**

(10) **Patent No.:** **US D628,401 S**  
(45) **Date of Patent:** **\*\* Dec. 7, 2010**

(54) **SKATEBOARD FURNITURE**

(76) Inventor: **Jason Barney Podlaski**, 21 N. Eagle Rd., Havertown, PA (US) 19083

(\*\*) Term: **14 Years**

(21) Appl. No.: **29/269,730**

(22) Filed: **Dec. 6, 2006**

(51) **LOC (9) Cl.** ..... **06-01**

(52) **U.S. Cl.** ..... **D6/349**

(58) **Field of Classification Search** ..... D6/330,  
D6/335-338, 340, 349-355, 358, 359, 364,  
D6/366, 376, 491, 495, 500-502, 345; 297/16.1,  
297/39, 46, 135, 140, 156, 158.3, 158.4,  
297/175, 177, 187, 195.1, 195.11, 211, 245,  
297/423.1, 423.16, 445.1, 461, 462; D21/765,  
D21/519

See application file for complete search history.

(56) **References Cited**

**U.S. PATENT DOCUMENTS**

D200,466 S \* 3/1965 Eby ..... D6/349

(Continued)

*Primary Examiner*—Sandra Snapp

(57) **CLAIM**

The ornamental design for a skateboard furniture, as shown and described.

**DESCRIPTION**

FIG. 1 is a front elevation view of a first embodiment of the skateboard furniture;

FIG. 2 is a side elevation view thereof;

FIG. 3 is a rear elevation view thereof;

FIG. 4 is a top plan view thereof;

FIG. 5 is a bottom plan view thereof;

FIG. 6 is a front elevation view of a second embodiment of the skateboard furniture;

FIG. 7 is a side elevation view thereof;

FIG. 8 is a rear elevation view thereof;

FIG. 9 is a top plan view thereof;

FIG. 10 is a bottom plan view thereof;

FIG. 11 is a front elevation view of a third embodiment of the skateboard furniture;

FIG. 12 is a side elevation view thereof;

FIG. 13 is a rear elevation view thereof;

FIG. 14 is a top plan view thereof;

FIG. 15 is a bottom plan view thereof;

FIG. 16 is a front elevation view of a fourth embodiment of the skateboard furniture;

FIG. 17 is a side elevation view thereof;

FIG. 18 is a rear elevation view thereof;

FIG. 19 is a top plan view thereof;

FIG. 20 is a bottom plan view thereof;

FIG. 21 is a front elevation view of a fifth embodiment of the skateboard furniture;

FIG. 22 is a side elevation view thereof;

FIG. 23 is a rear elevation view thereof;

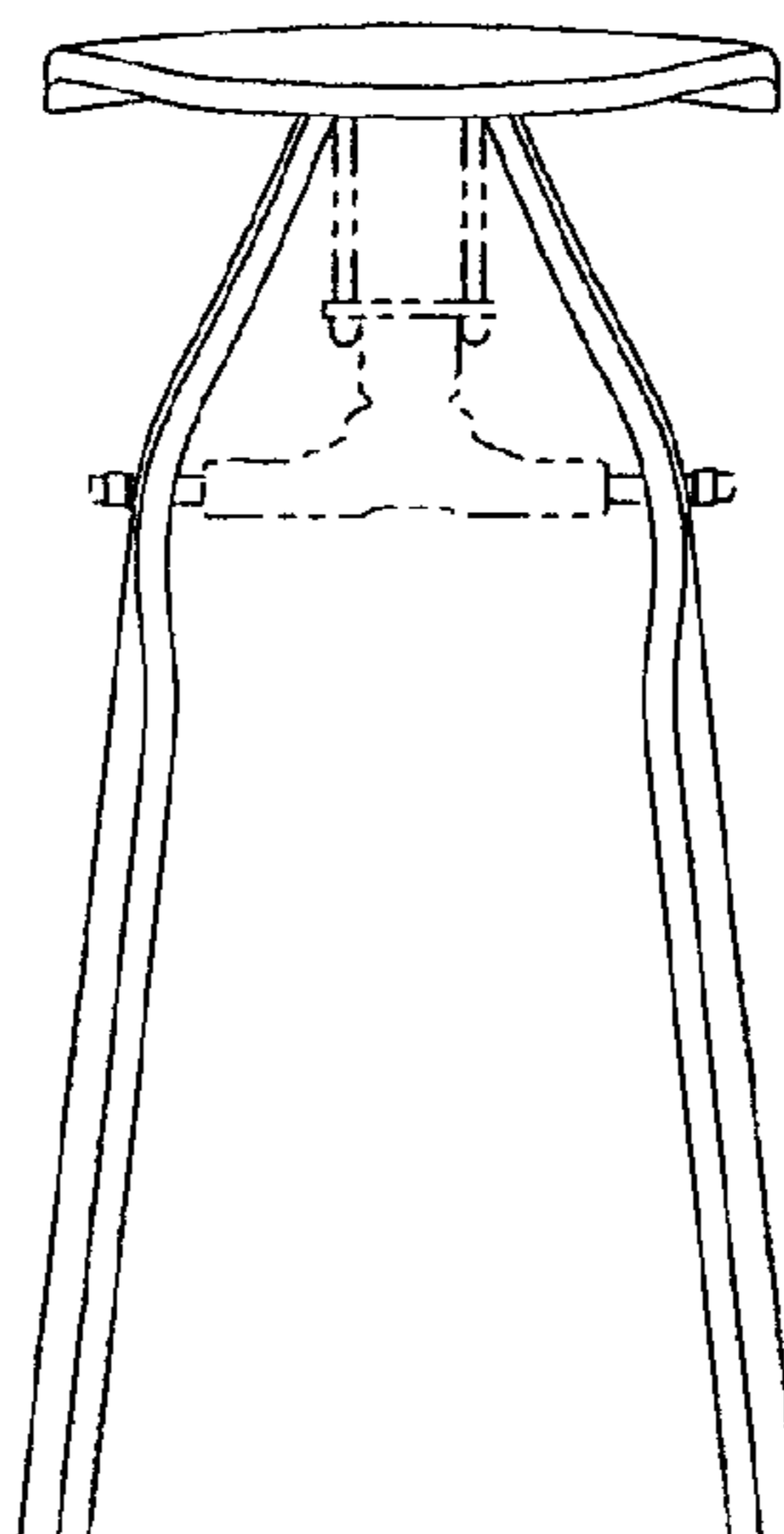
FIG. 24 is a top plan view thereof; and,

FIG. 25 is a bottom plan view thereof.

The broken lines shown in the drawings are for illustrative purposes only and form no part of the claimed design.

My skateboard furniture is characterized by having two legs pierced by an object resembling a component commonly known as a skateboard truck. The legs may be flat or contoured to resemble the typical forms of a commercial skateboard.

**1 Claim, 5 Drawing Sheets**



# US D628,401 S

Page 2

---

## U.S. PATENT DOCUMENTS

D219,018 S *	10/1970	Brewer	.....	D6/380	D451,690 S *	12/2001	Adamovich	.....	D6/349
4,702,521 A *	10/1987	Bae	.....	297/440.1	D558,290 S *	12/2007	Findling	.....	D21/765
D394,165 S *	5/1998	Adamovich	.....	D6/358	D566,976 S *	4/2008	Pattison	.....	D6/349
D404,581 S *	1/1999	Saban	.....	D6/358	D589,656 S *	3/2009	Toltzman et al.	.....	D30/118
D438,024 S *	2/2001	Catalano et al.	.....	D6/349	D613,082 S *	4/2010	Peel	.....	D6/349
					D614,877 S *	5/2010	Garzon	.....	D6/349

\* cited by examiner

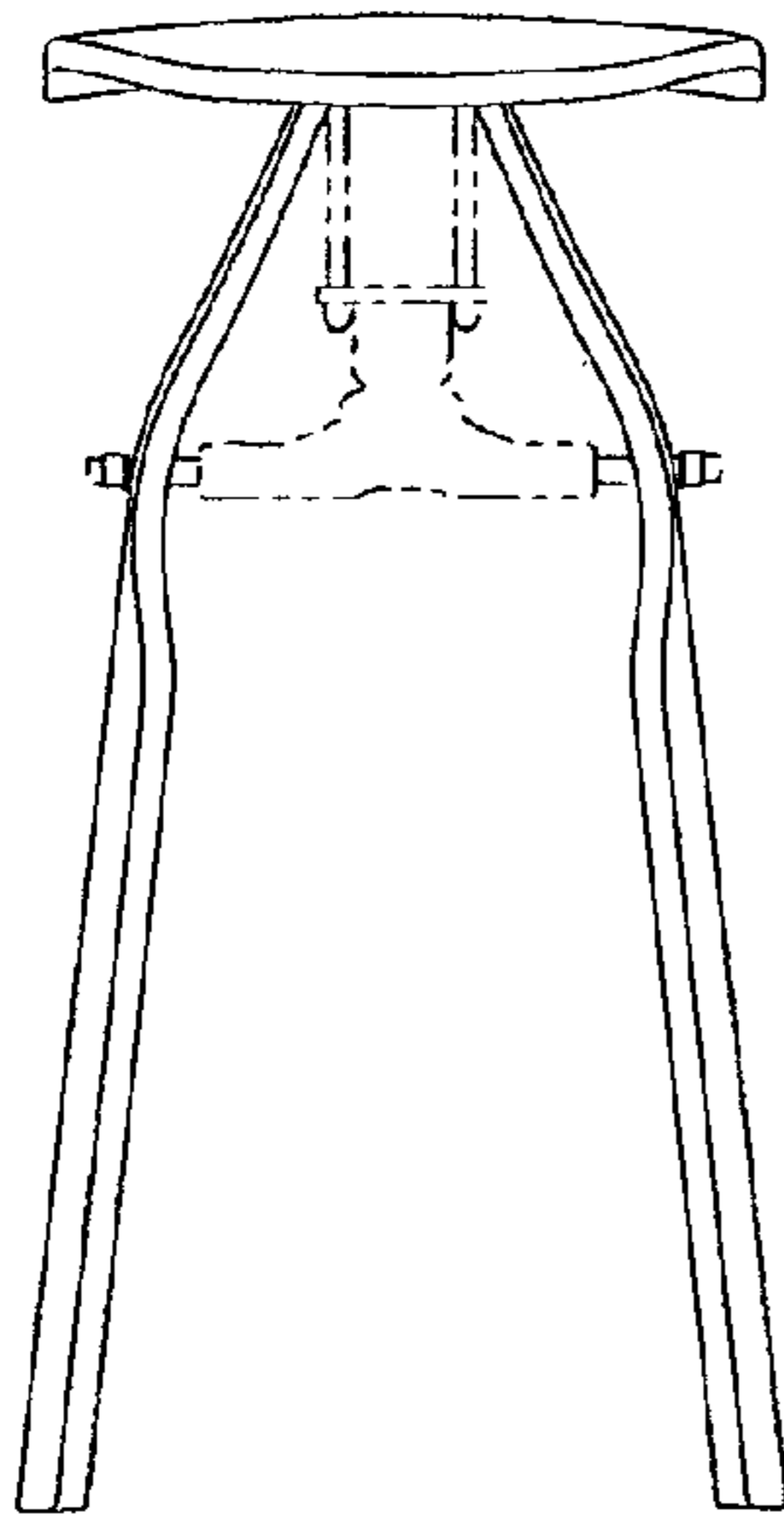


FIG. 1

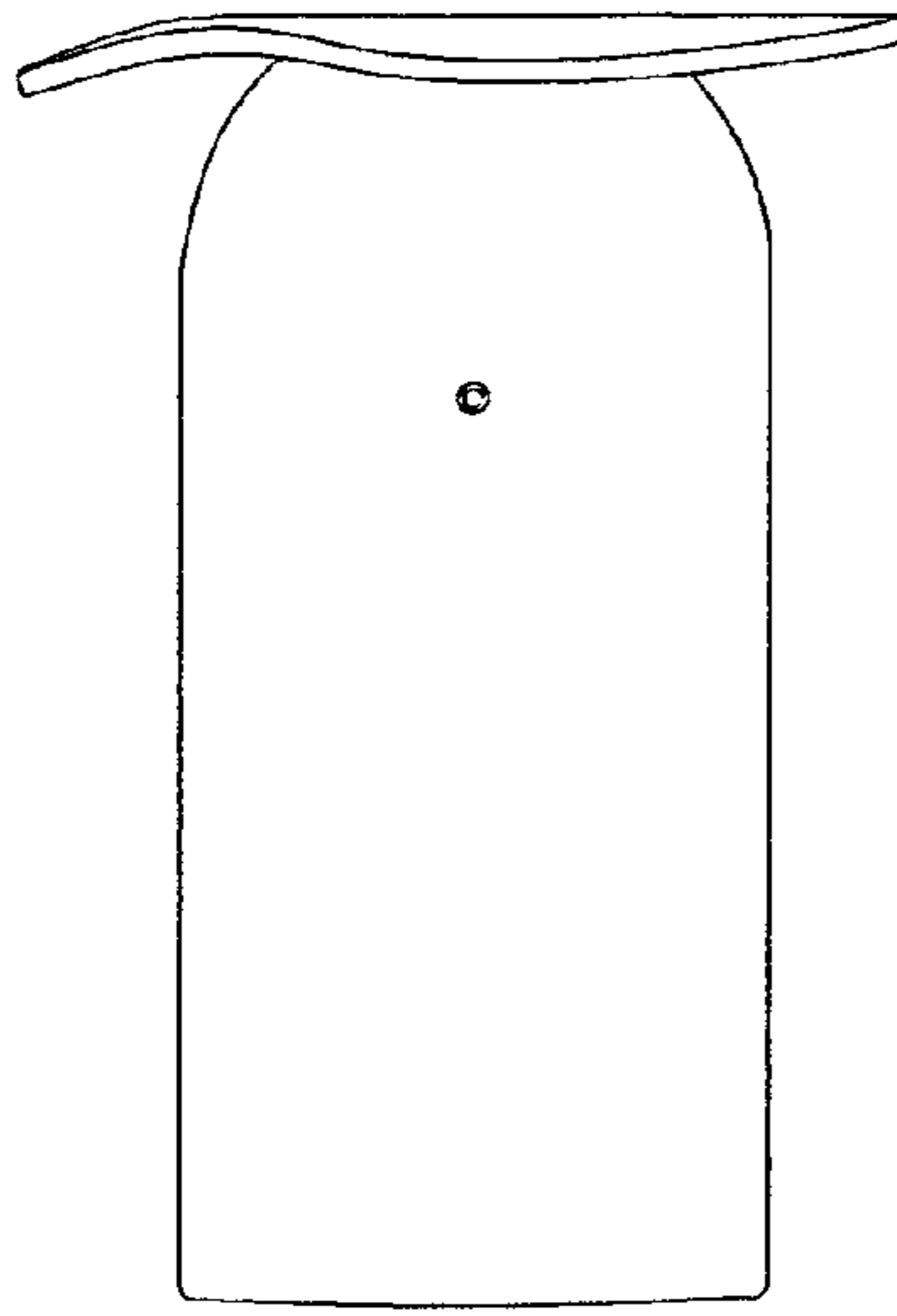


FIG. 2

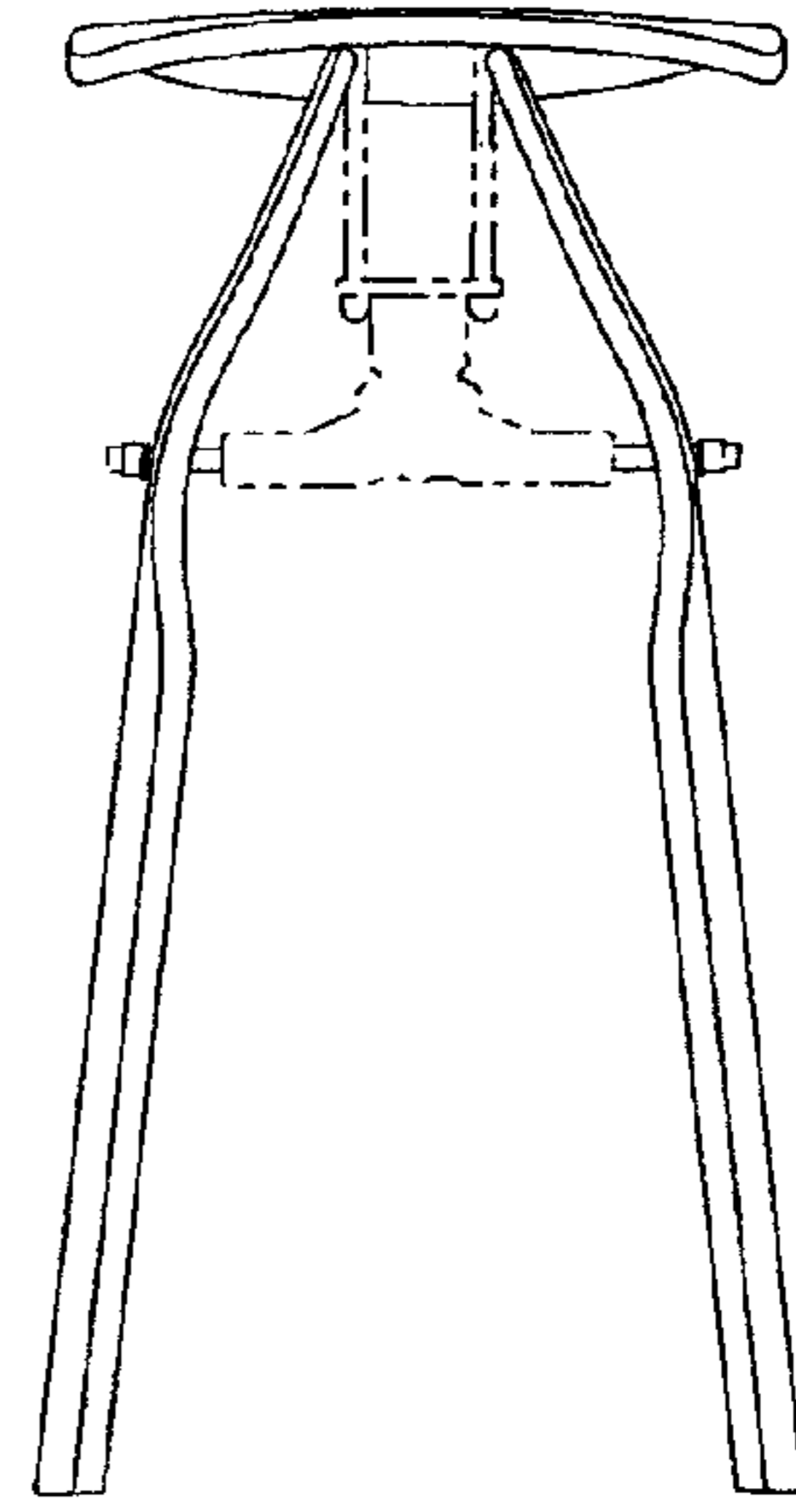


FIG. 3

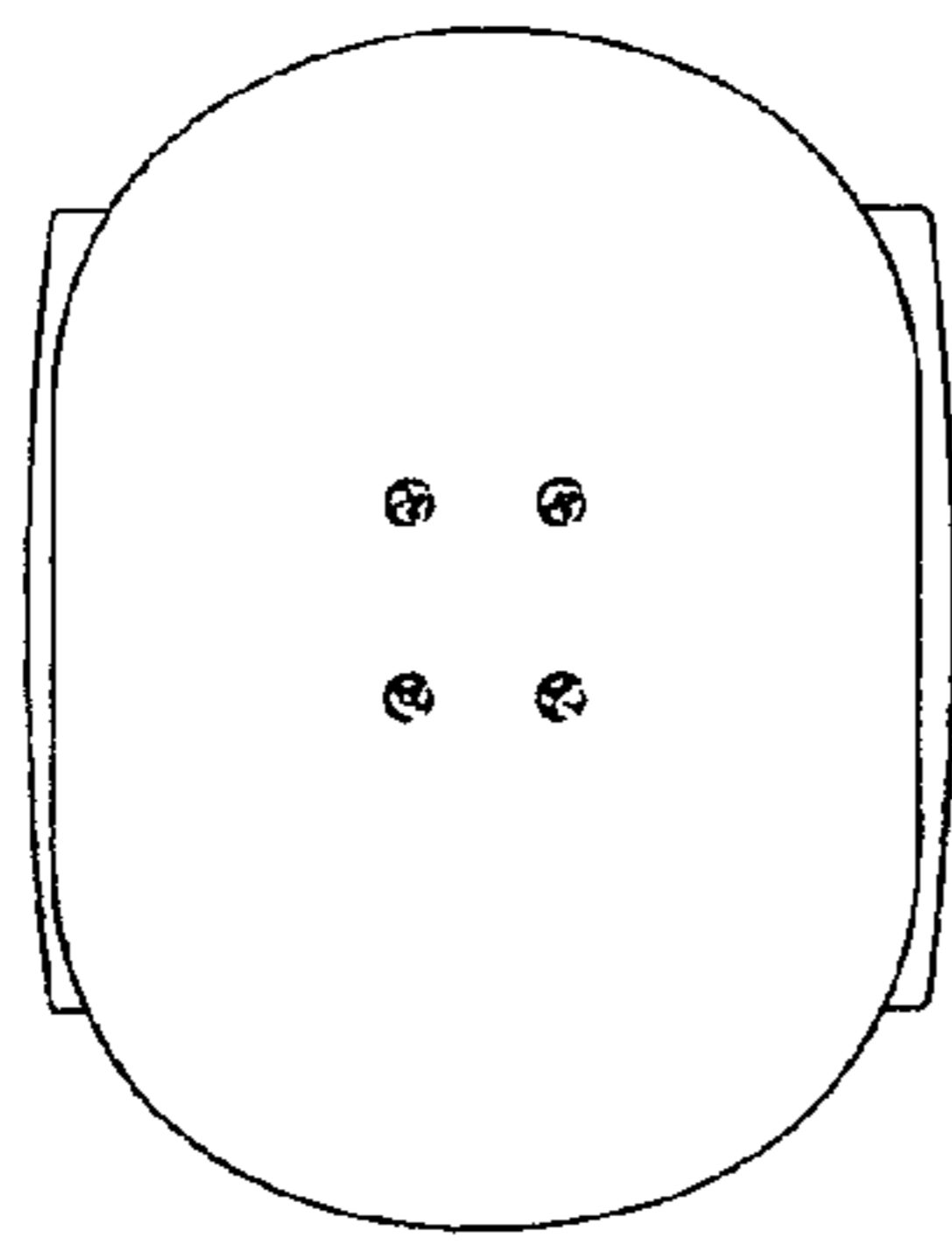


FIG. 4

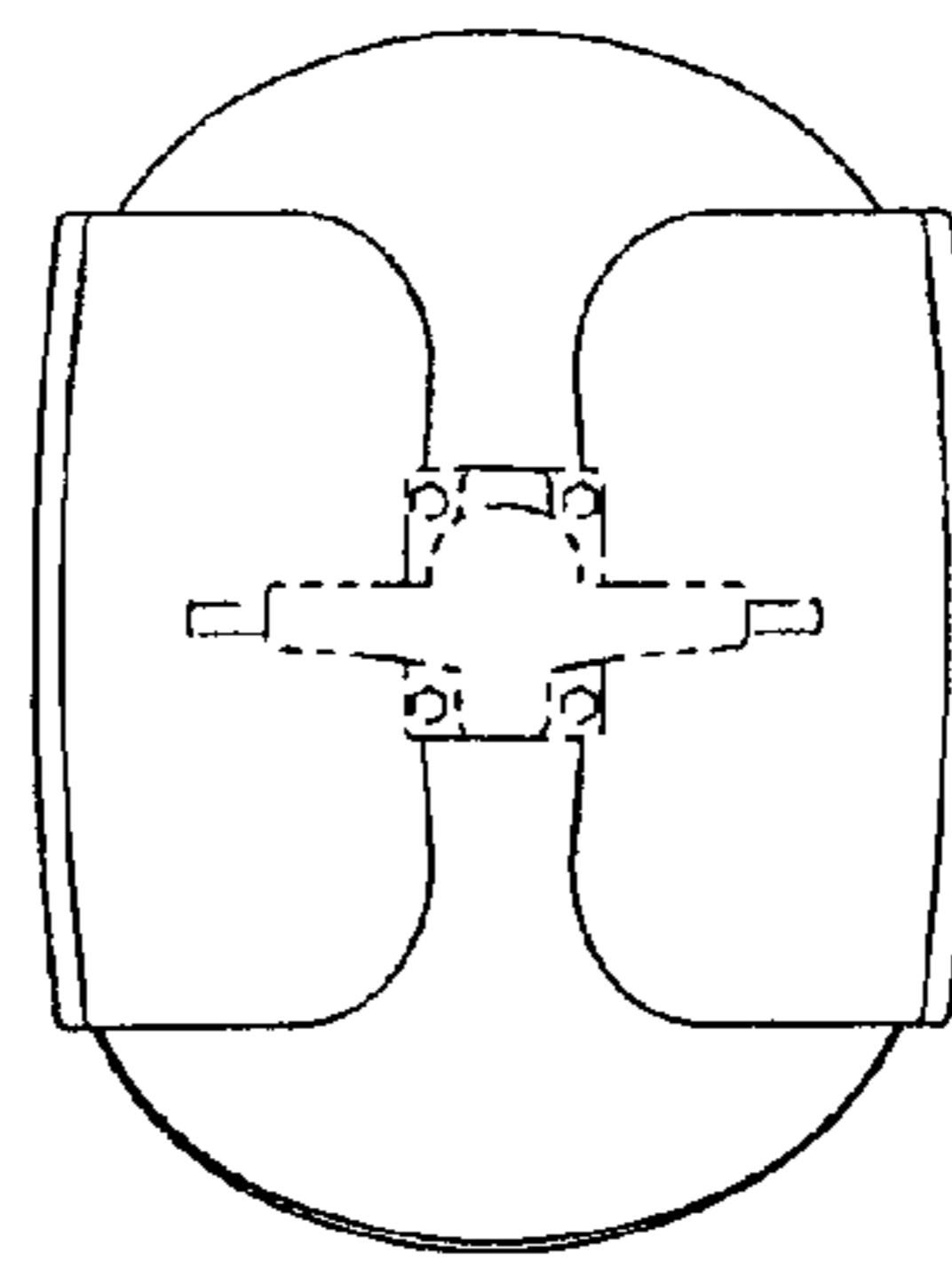


FIG. 5

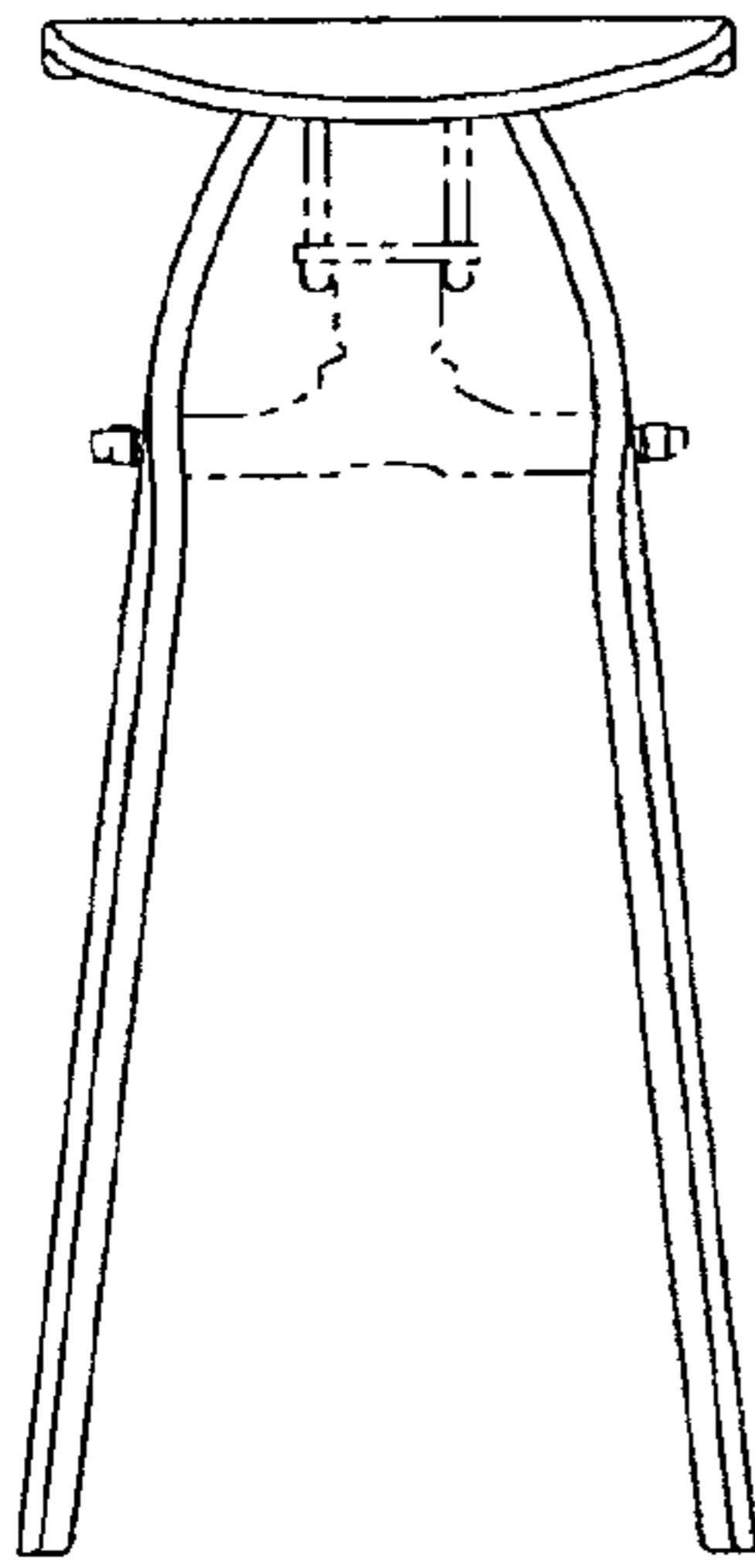


FIG. 6

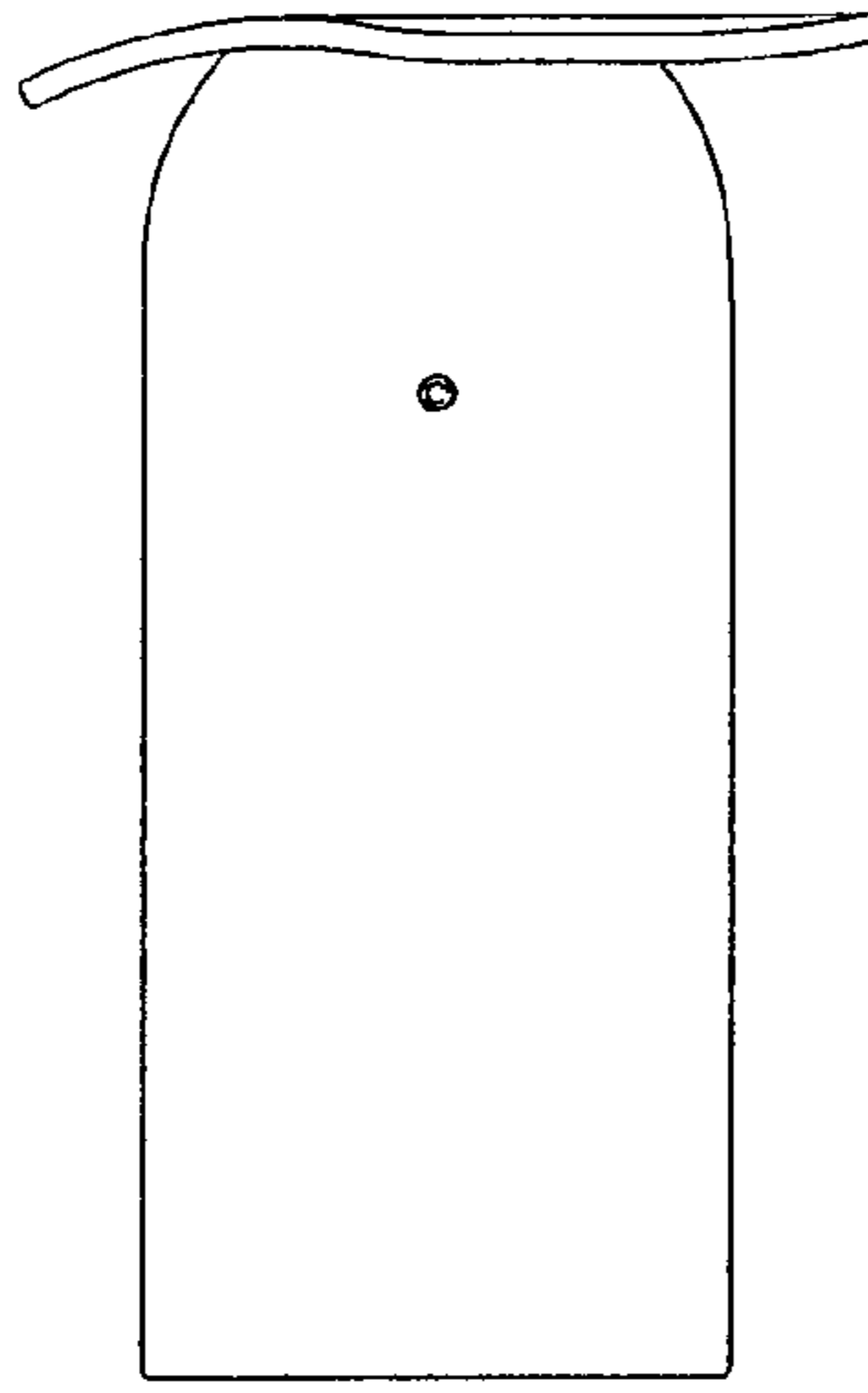


FIG. 7

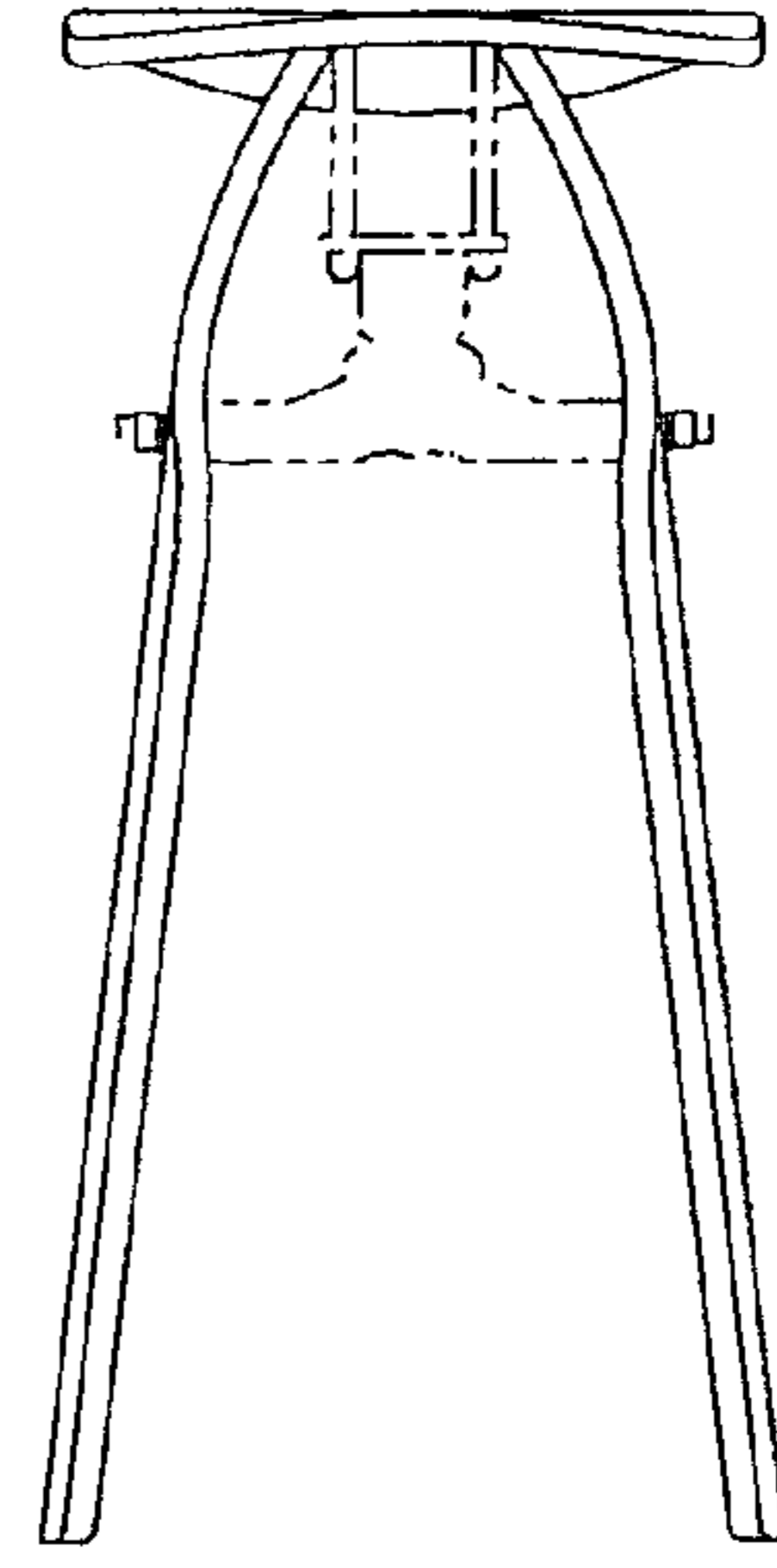


FIG. 8

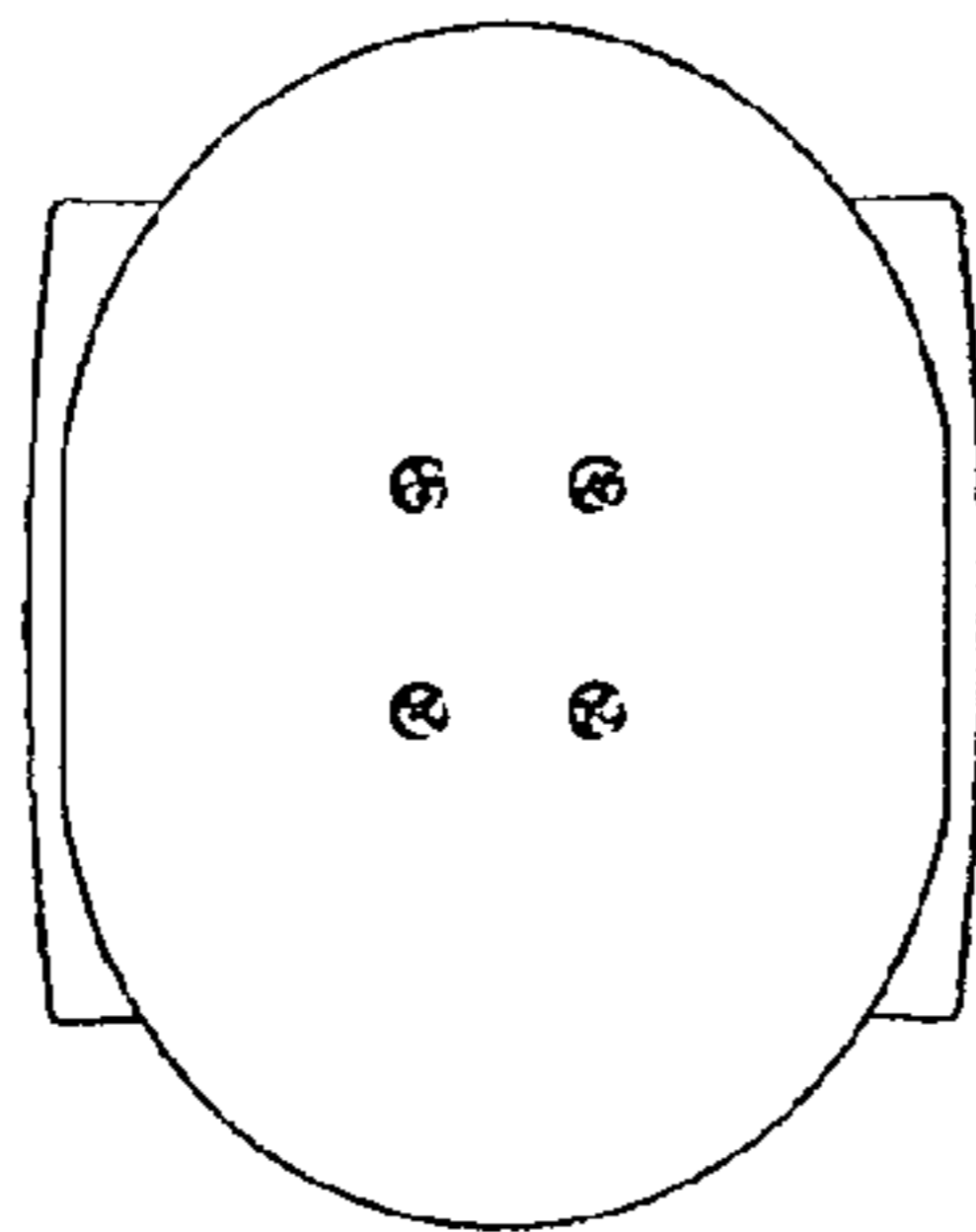


FIG. 9

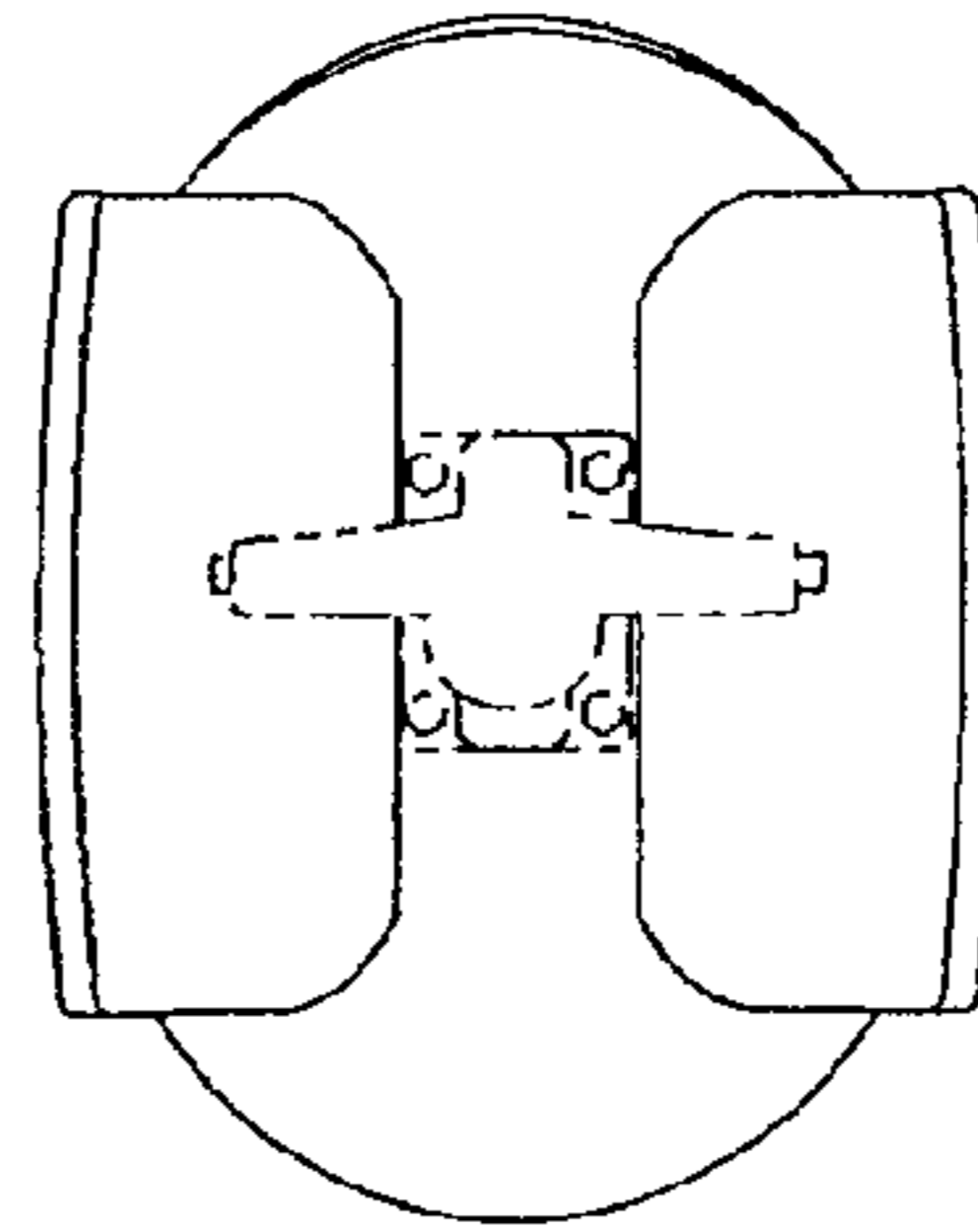


FIG. 10

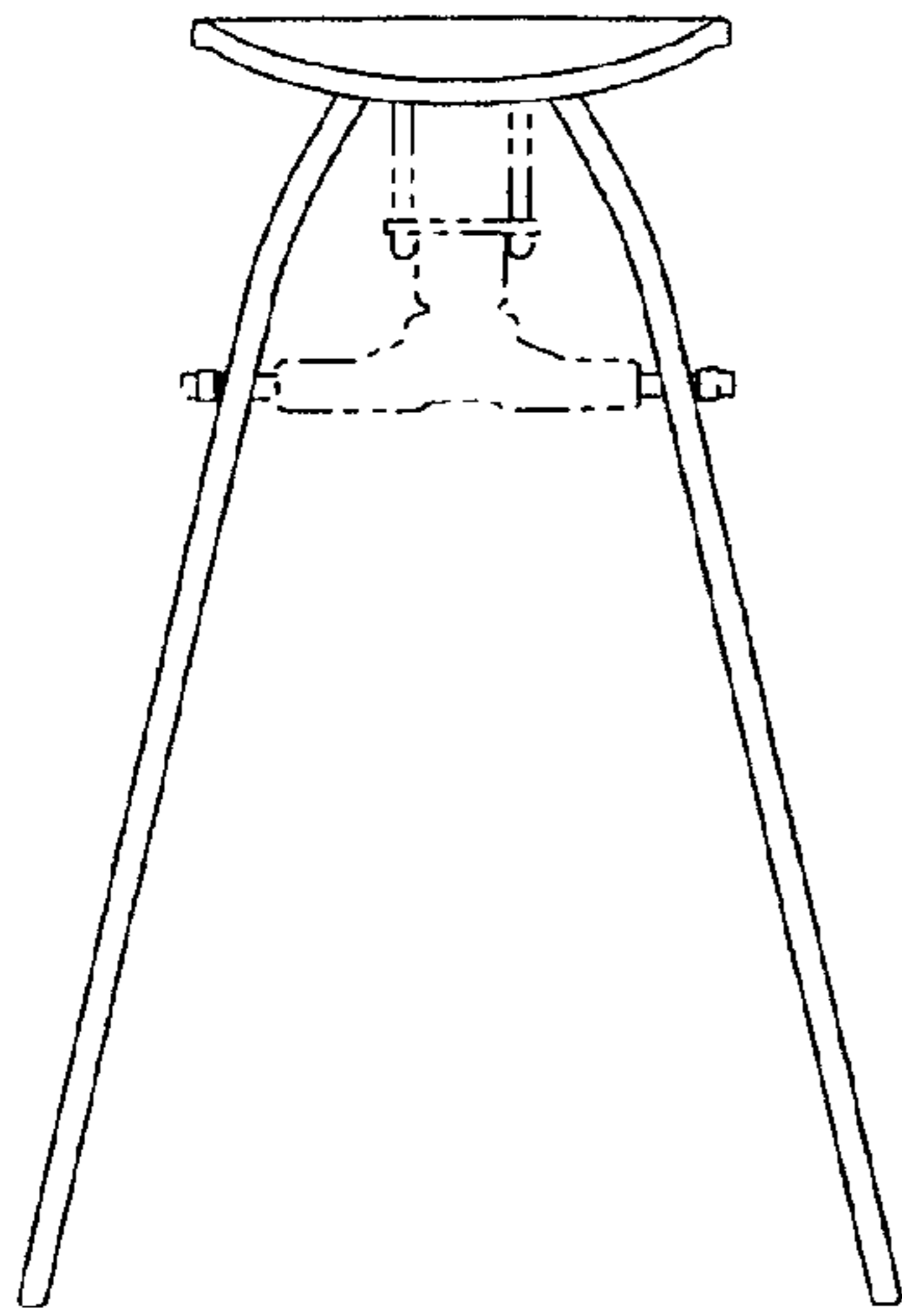


FIG. 11

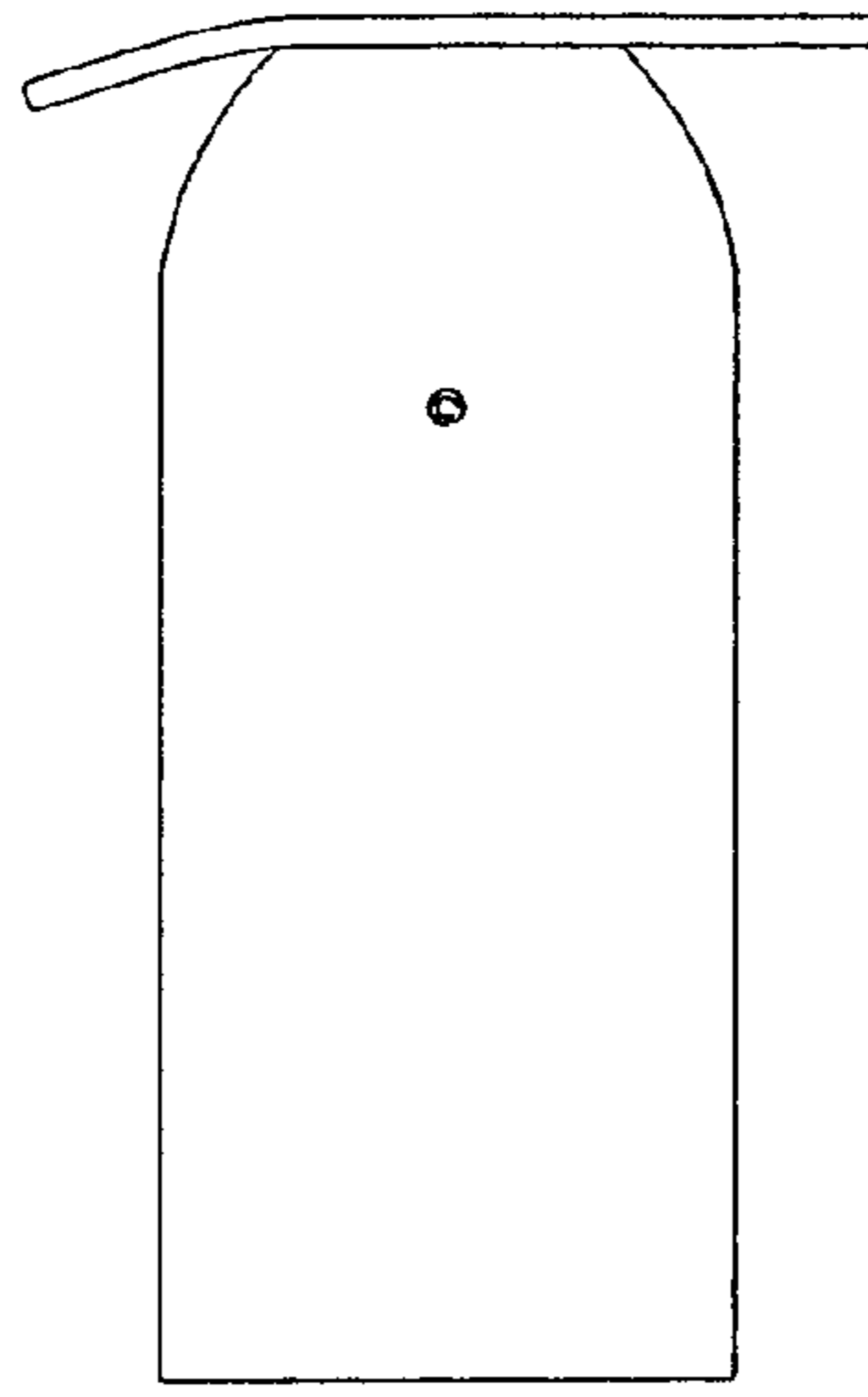


FIG. 12

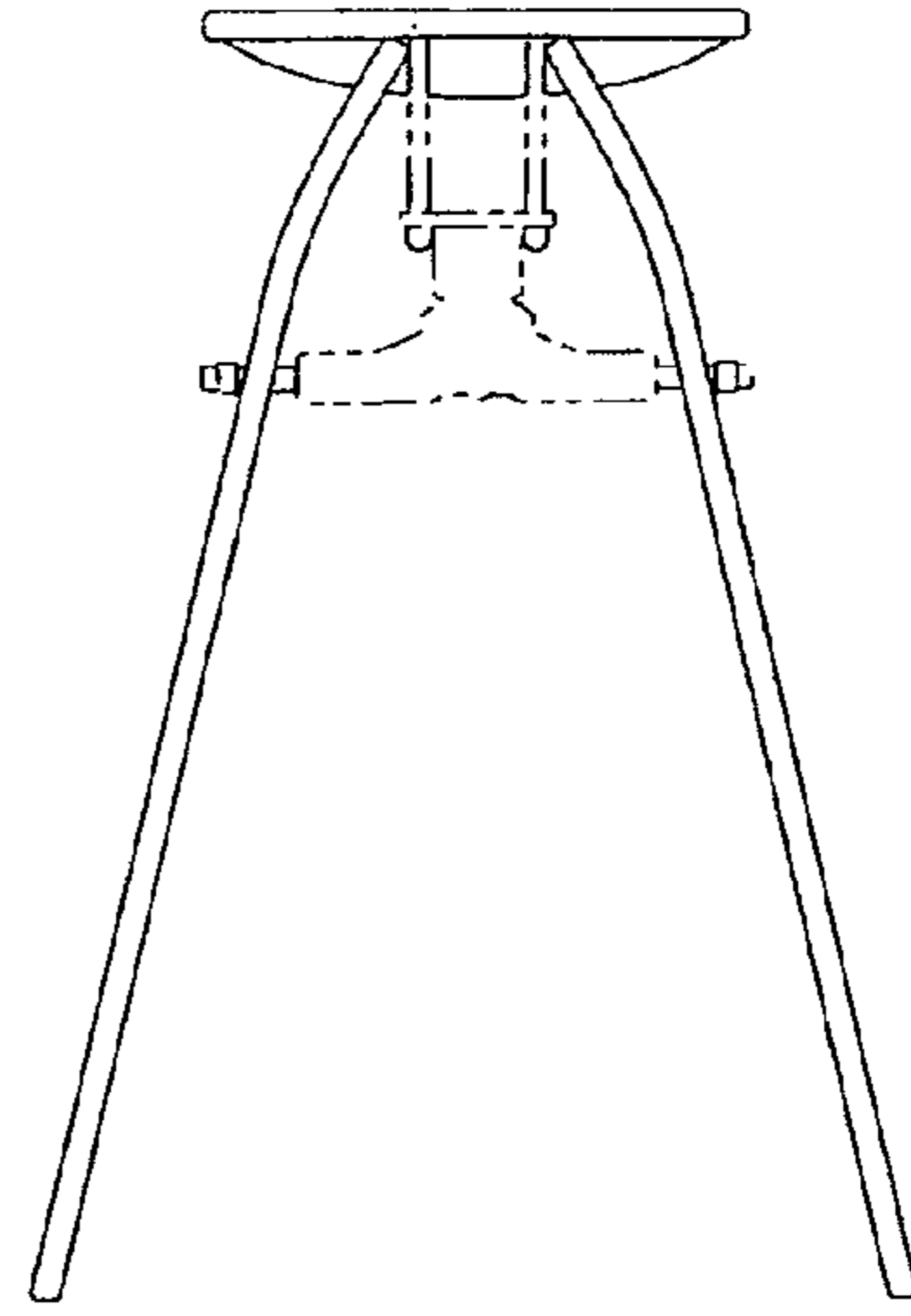


FIG. 13

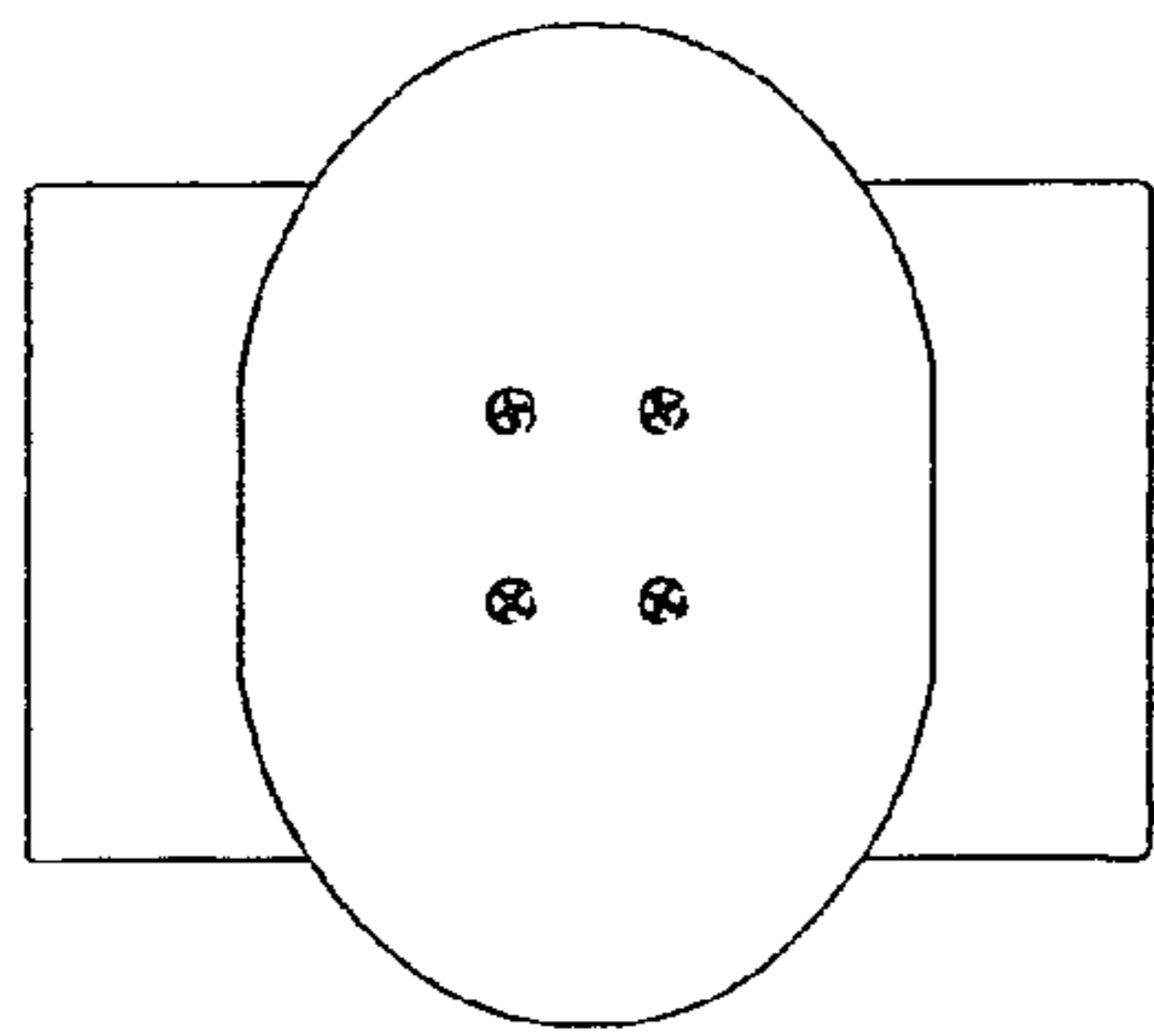


FIG. 14

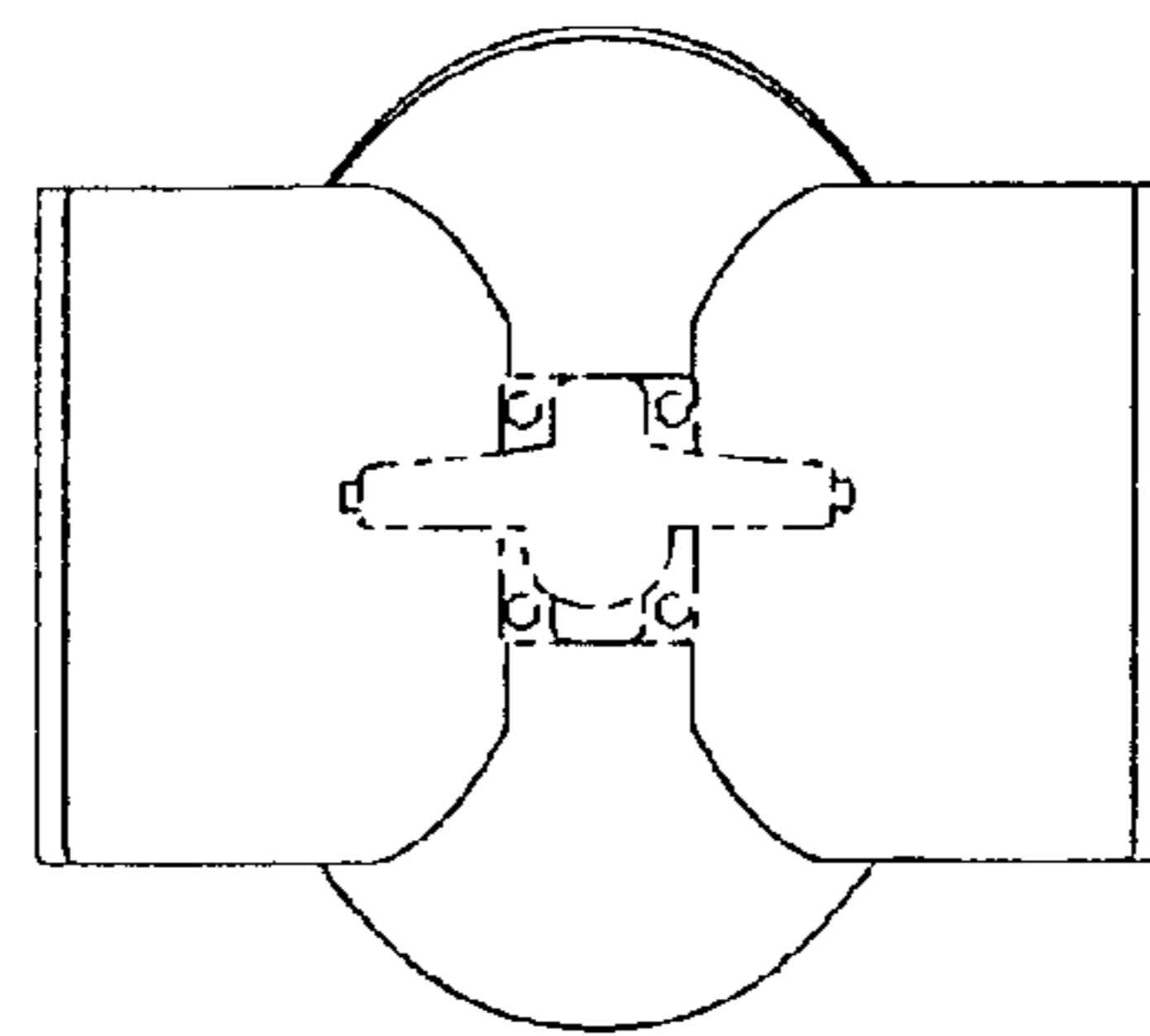


FIG. 15

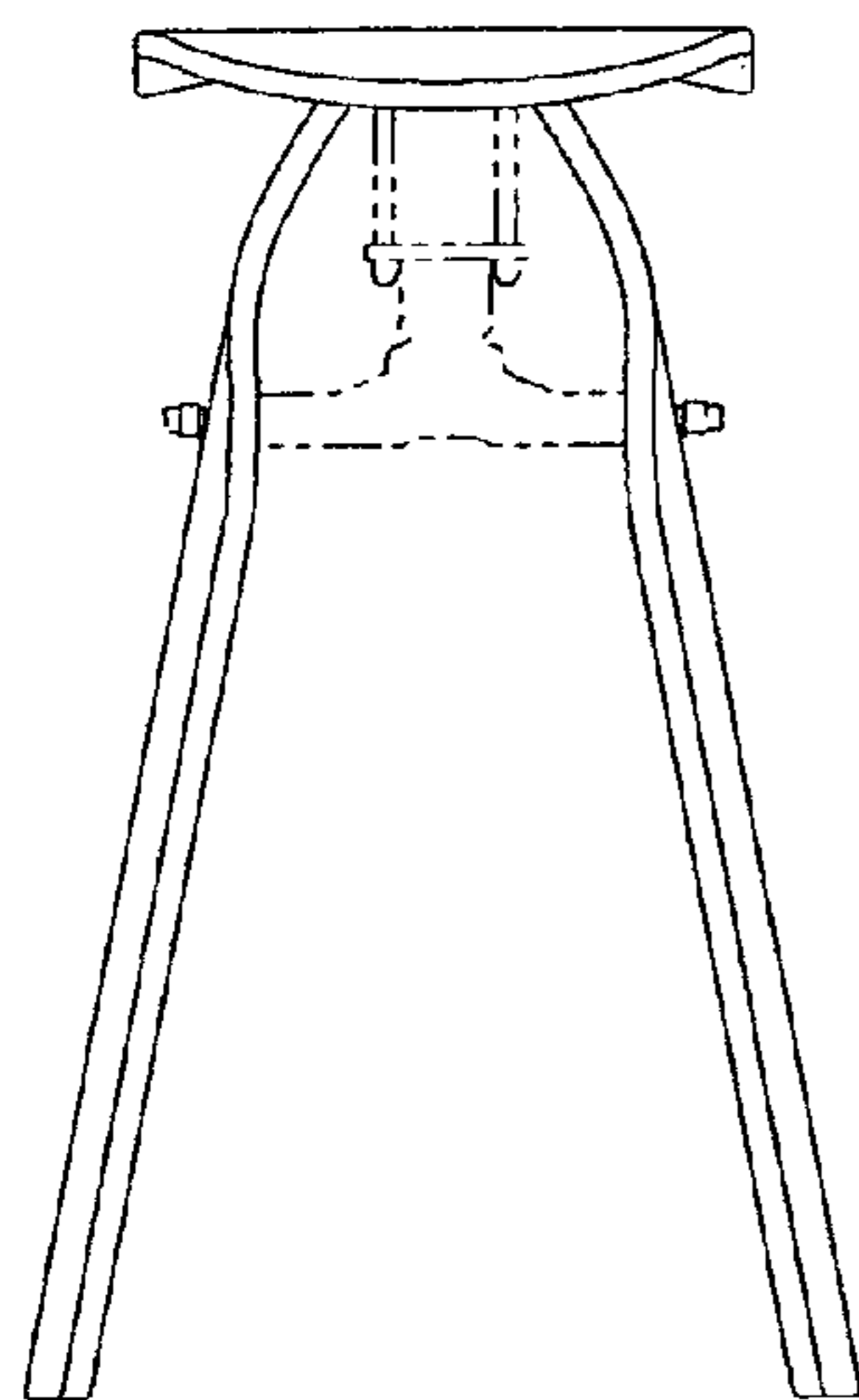


FIG. 16

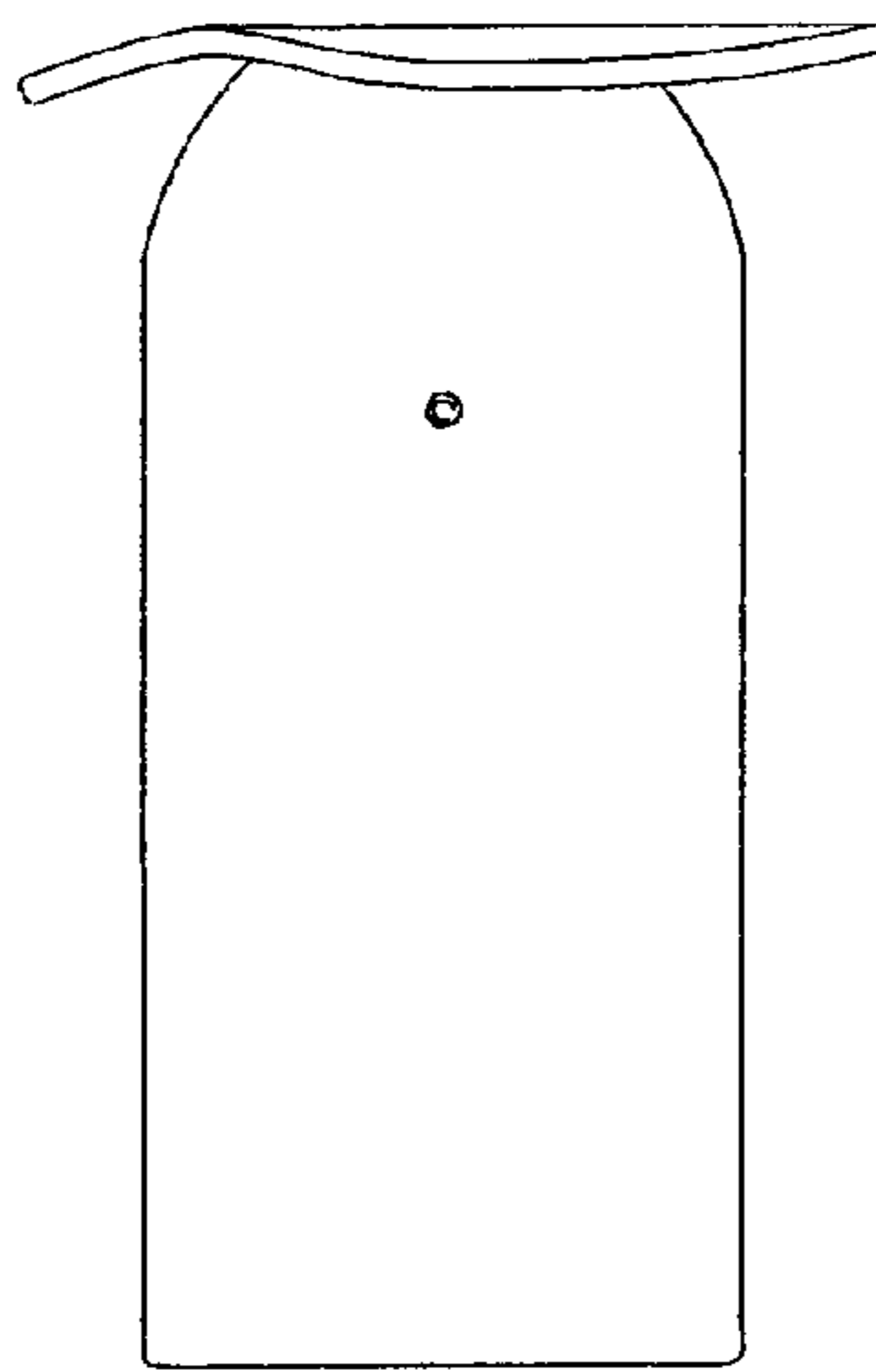


FIG. 17

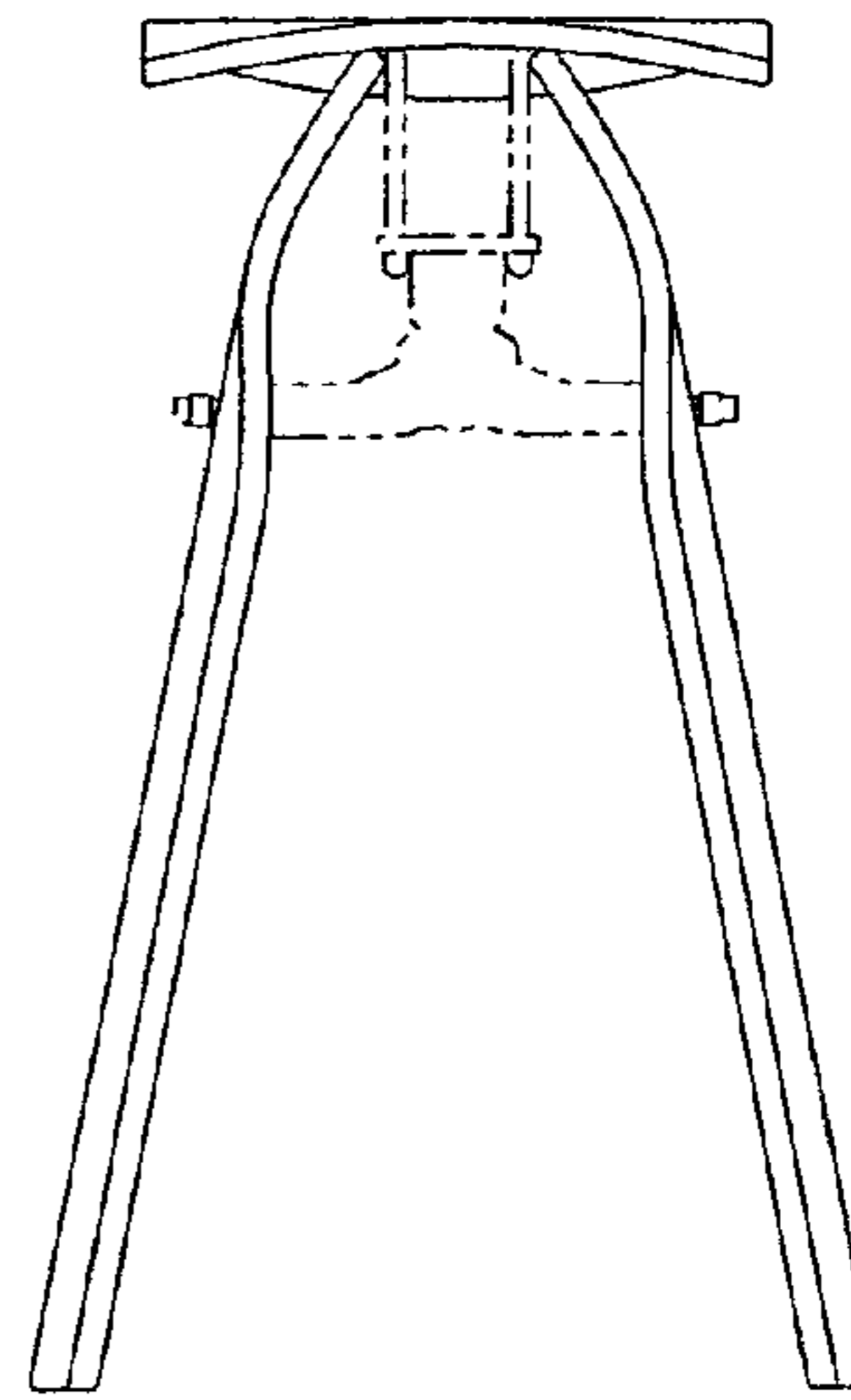


FIG. 18

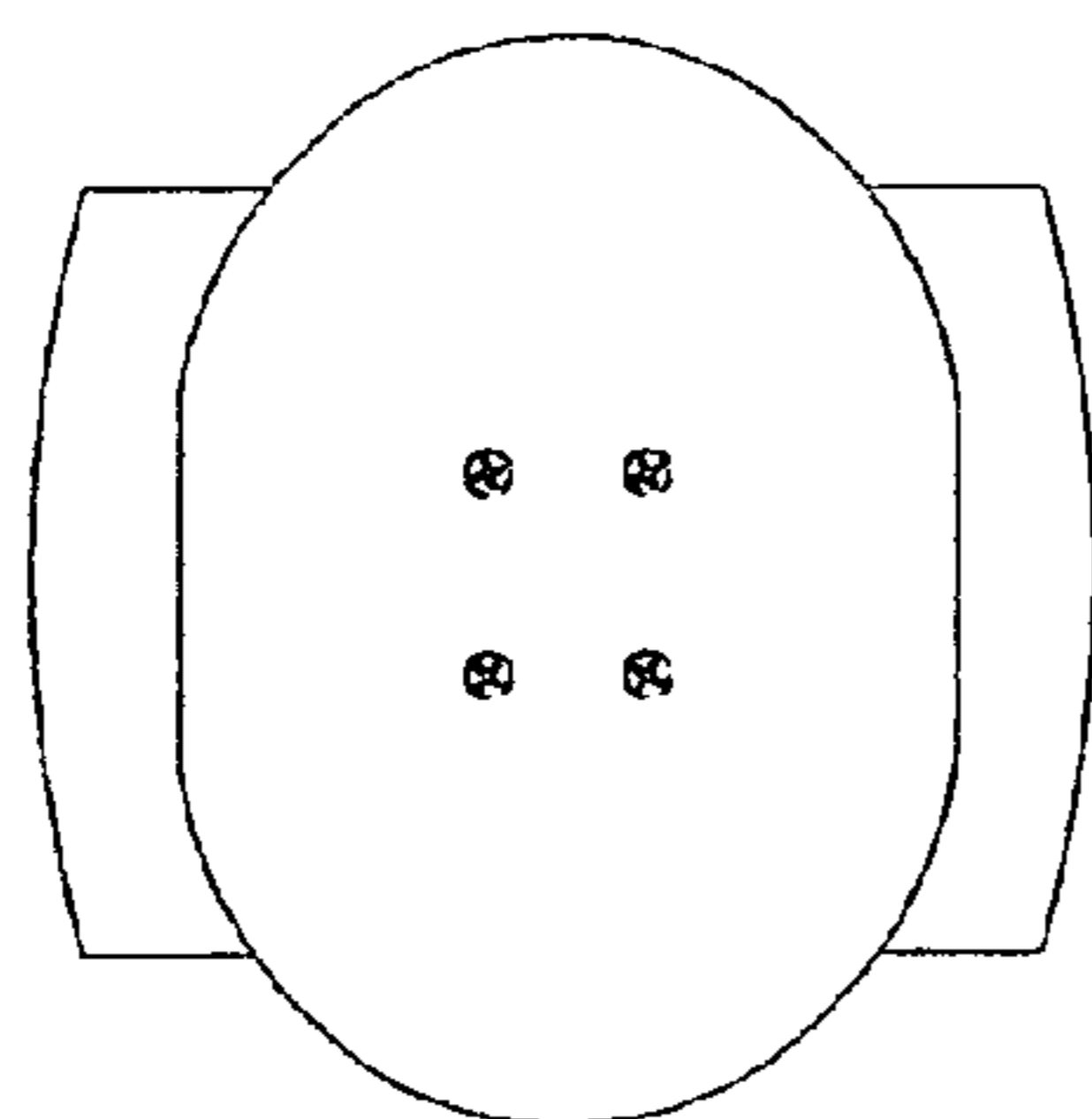


FIG. 19

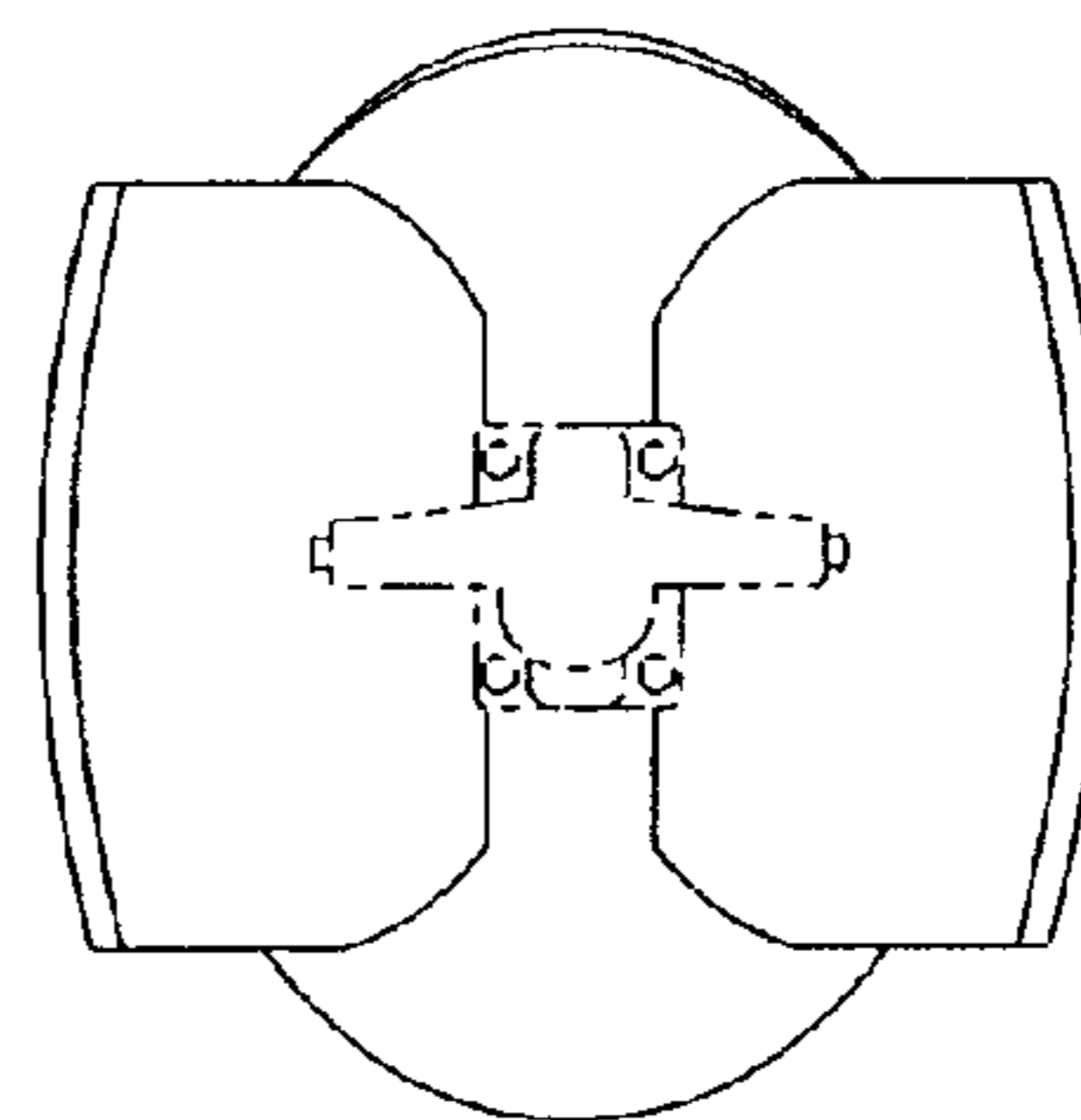


FIG. 20

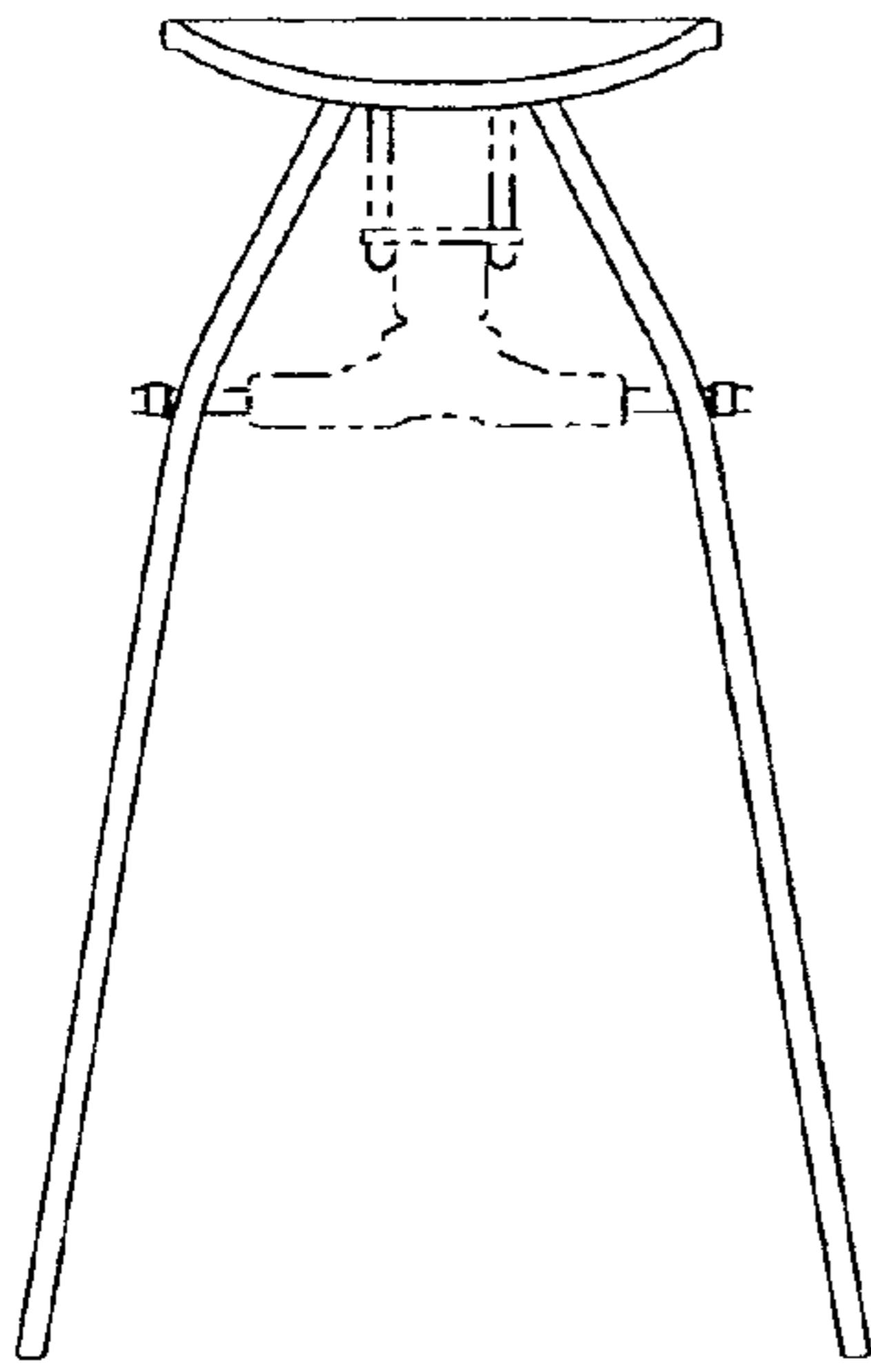


FIG. 21

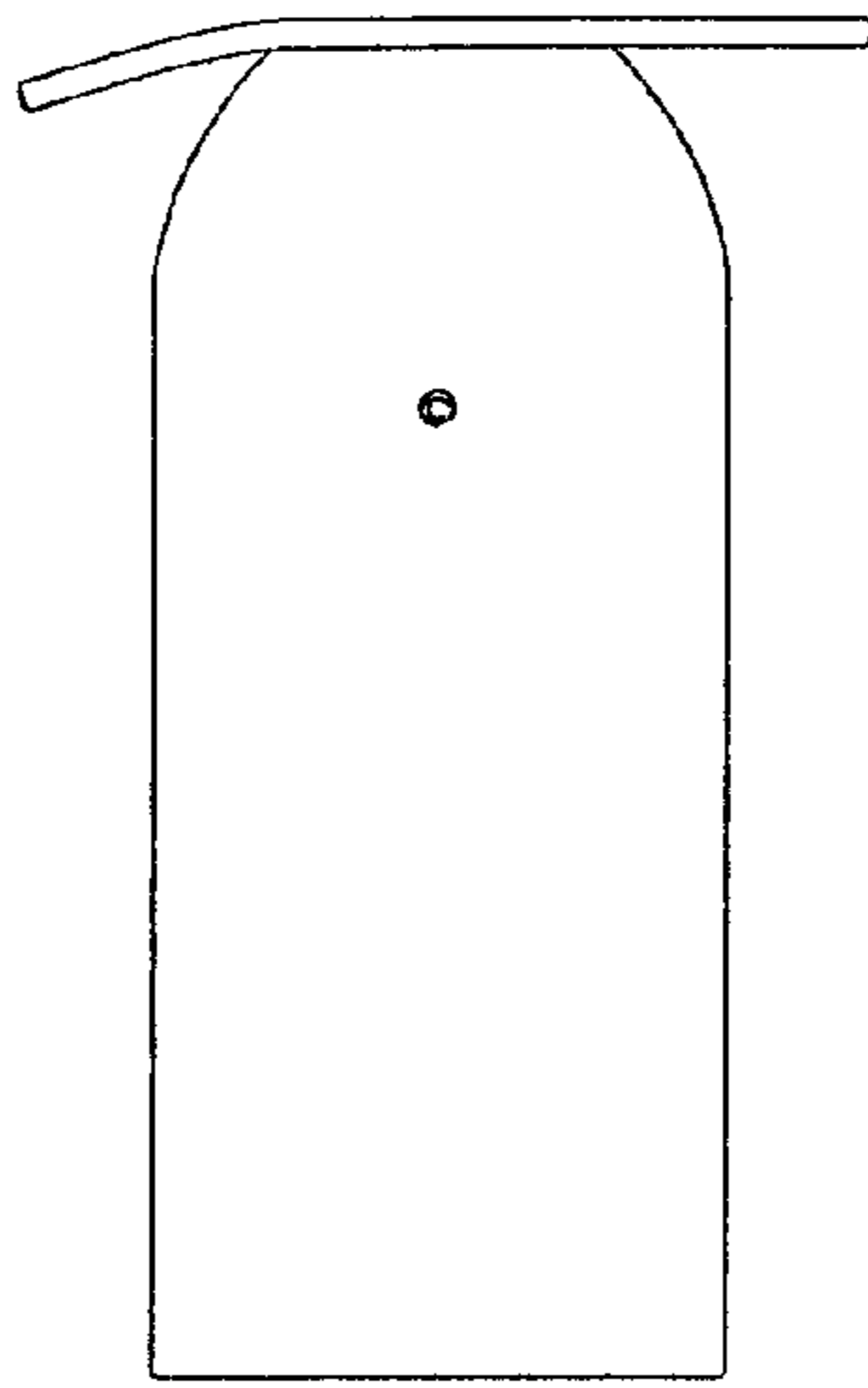


FIG. 22

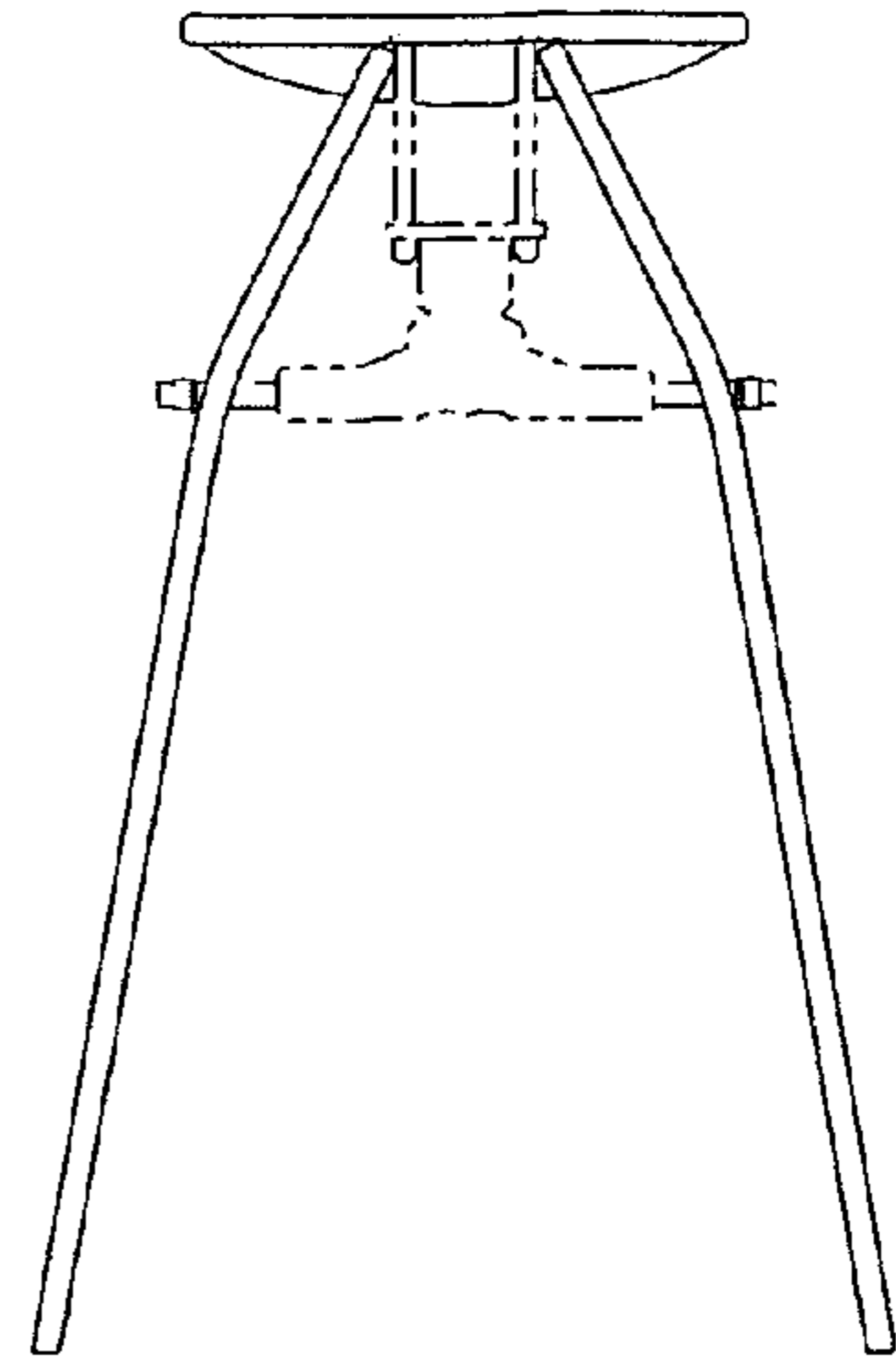


FIG. 23

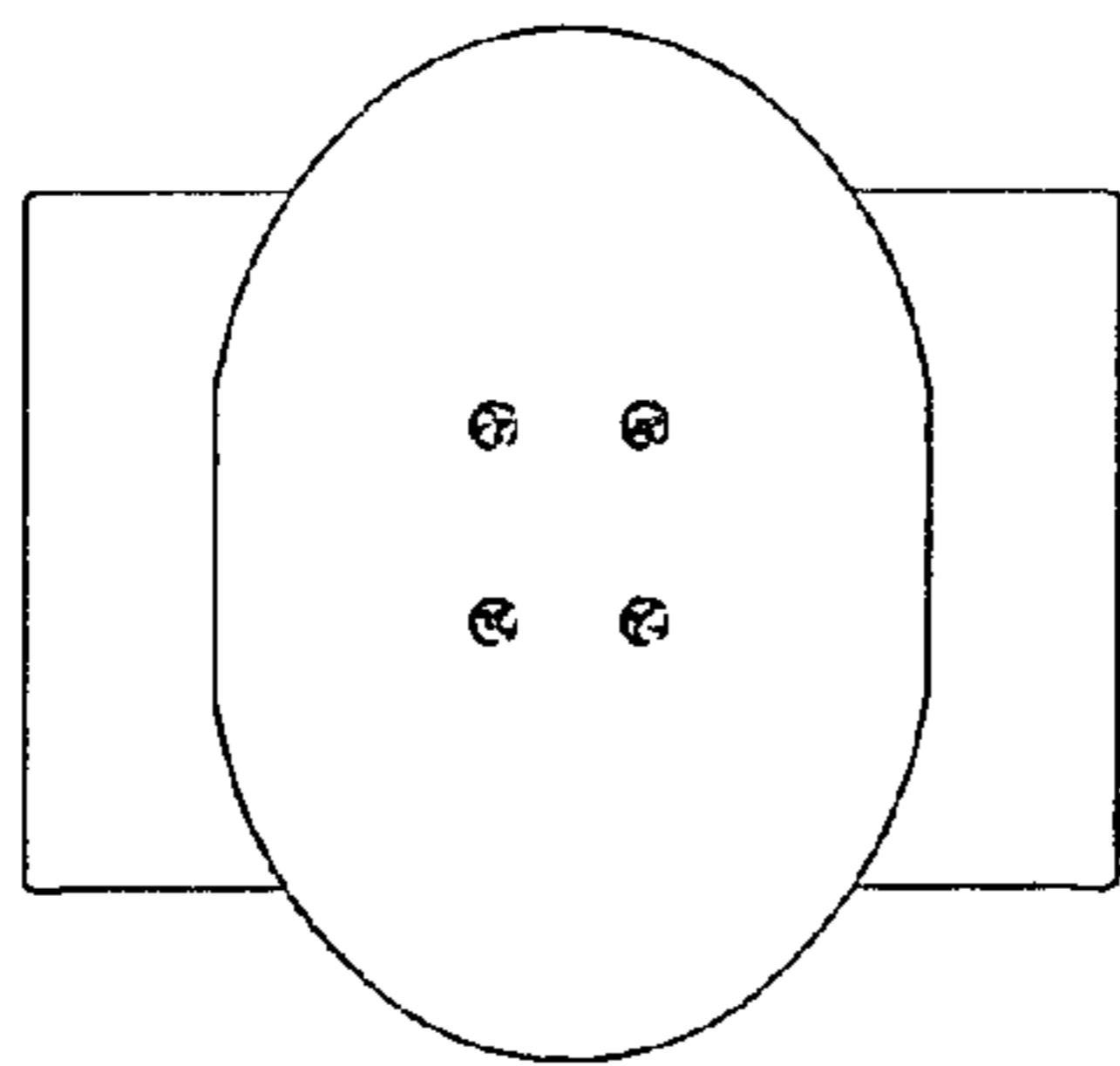


FIG. 24

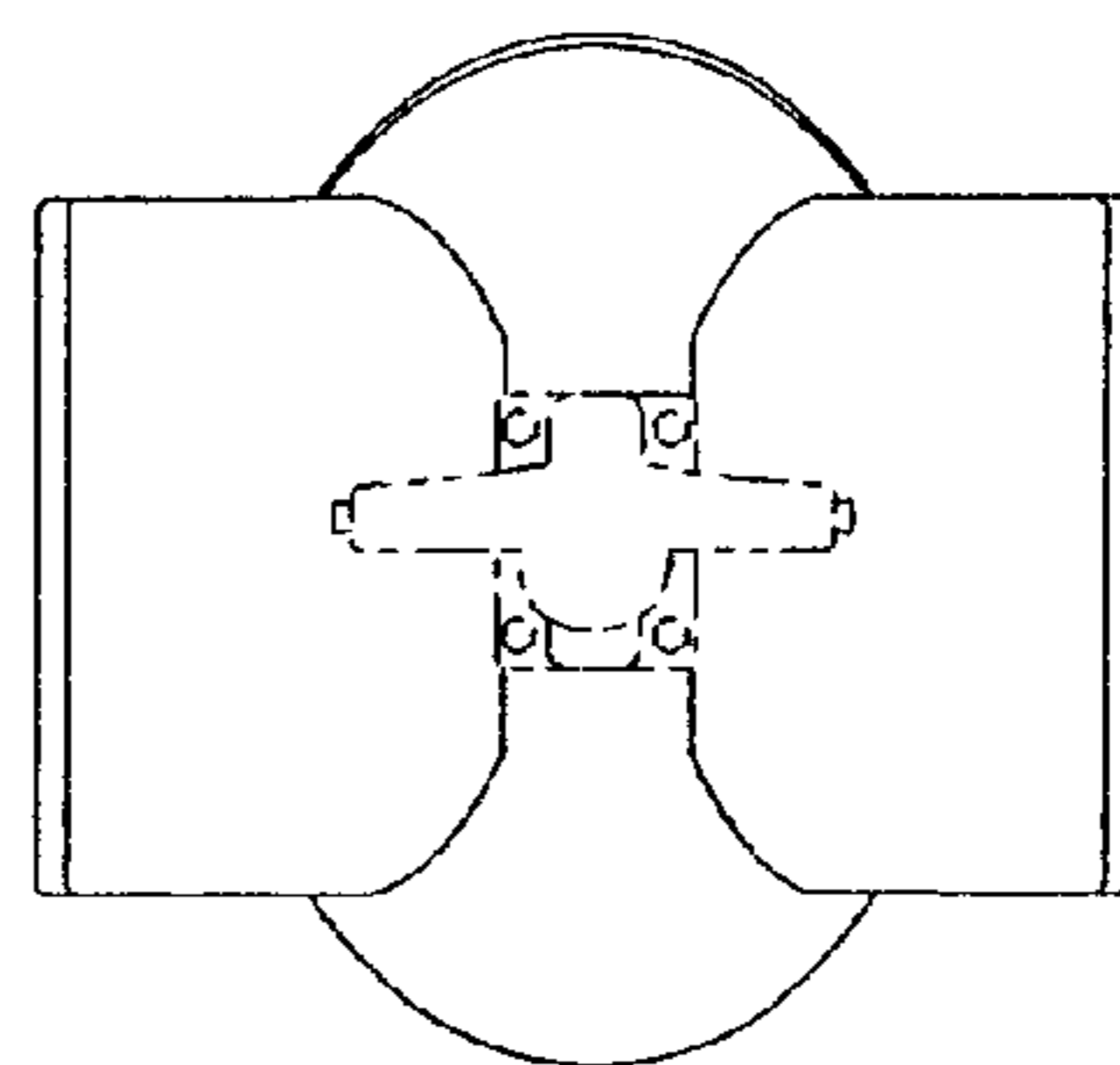


FIG. 25