



US00D628398S

(12) **United States Design Patent**
Fort et al.

(10) **Patent No.:** **US D628,398 S**

(45) **Date of Patent:** **** Dec. 7, 2010**

(54) **SKIRT HANGER**

(75) Inventors: **Tucker H. Fort**, New York, NY (US);
Przemyslaw Godycki, Brooklyn, NY
(US); **Alistair Bramley**, Brooklyn, NY
(US); **Nicholas Oxley**, New York, NY
(US)

(73) Assignee: **Helen of Troy Limited**, St. Michael
(BB)

(**) Term: **14 Years**

(21) Appl. No.: **29/359,555**

(22) Filed: **Apr. 13, 2010**

(51) **LOC (9) Cl.** **06-08**

(52) **U.S. Cl.** **D6/326**

(58) **Field of Classification Search** D6/315,
D6/326; 211/1, 13.1, 85.3, 86.01; 223/85-98
See application file for complete search history.

(56) **References Cited**

U.S. PATENT DOCUMENTS

- D415,357 S * 10/1999 Blanchard D6/326
- D429,898 S * 8/2000 Morgan et al. D6/326
- D440,409 S * 4/2001 Blanchard D6/326

- D504,024 S * 4/2005 Mainetti D6/326
- D518,838 S * 4/2006 Singleton D6/326
- D518,839 S * 4/2006 Singleton D6/326
- D531,823 S * 11/2006 Mainetti D6/326
- D586,568 S * 2/2009 Jones D6/326
- D616,652 S * 6/2010 Warren D6/326
- D622,972 S * 9/2010 Jones D6/326

* cited by examiner

Primary Examiner—Shanda C Hill

(57) **CLAIM**

The ornamental design for a skirt hanger, as shown, and described.

DESCRIPTION

FIG. 1 is a front view of the skirt hanger;

FIG. 2 is a side view of the skirt hanger;

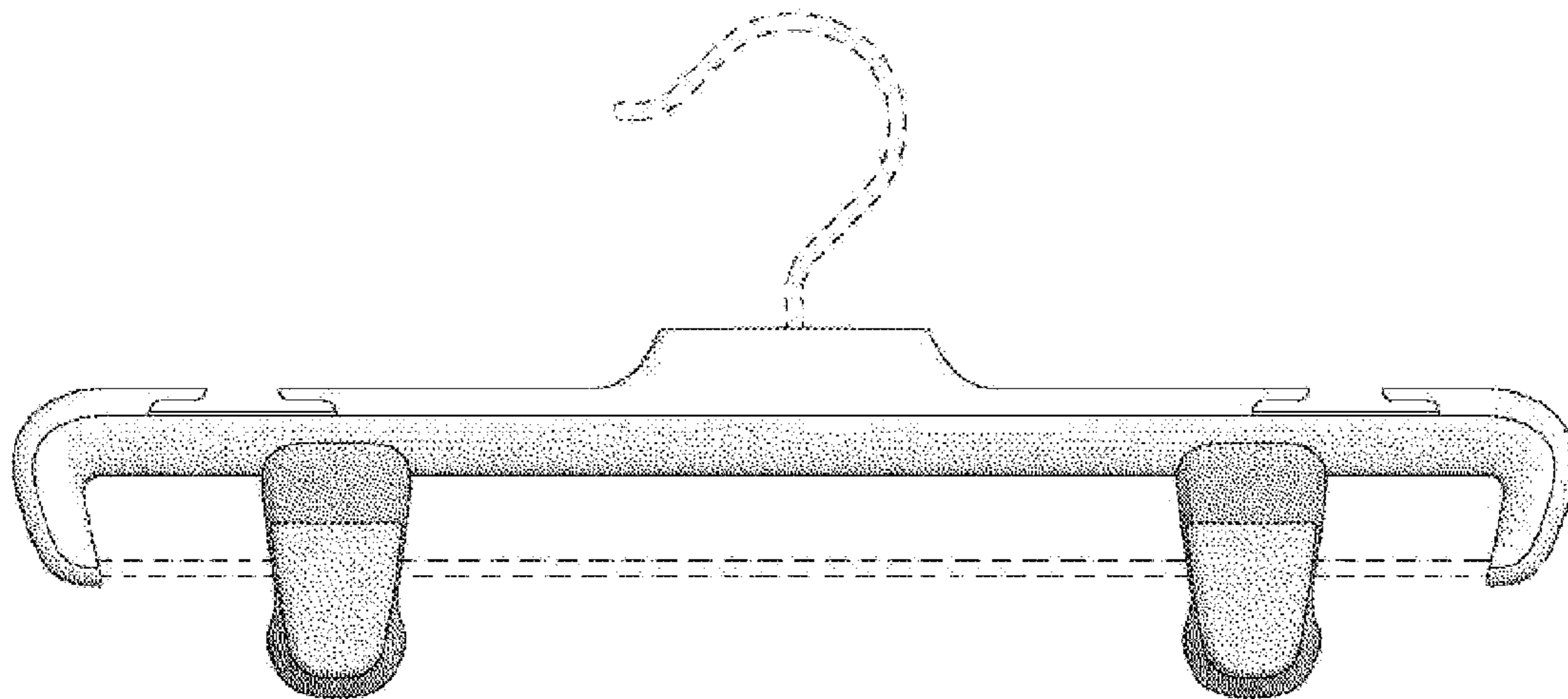
FIG. 3 is a top view of the skirt hanger;

FIG. 4 is a bottom view of the skirt hanger; and,

FIG. 5 is a perspective view of the skirt hanger.

The broken lines are for illustrative purposes only and form no part of the claimed design.

1 Claim, 5 Drawing Sheets



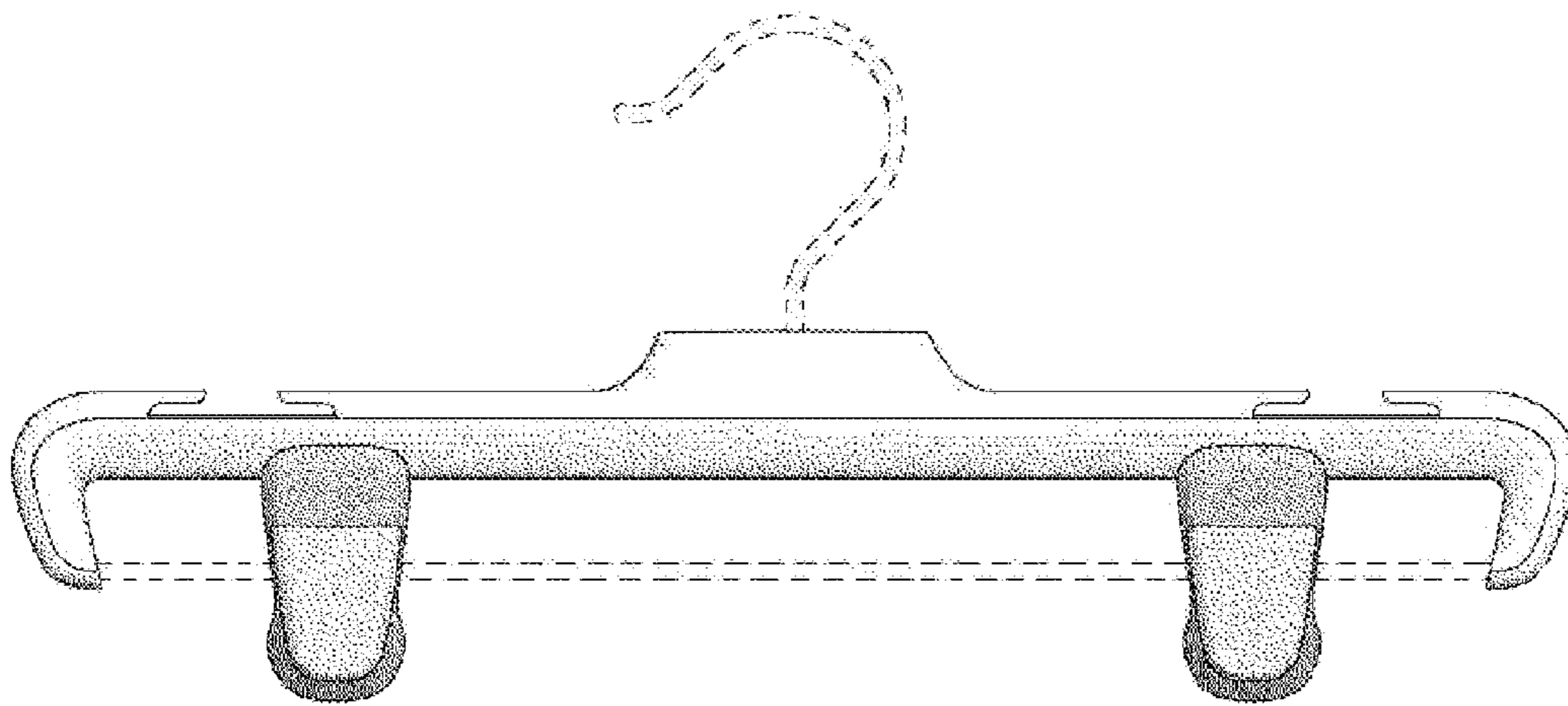


Figure 1

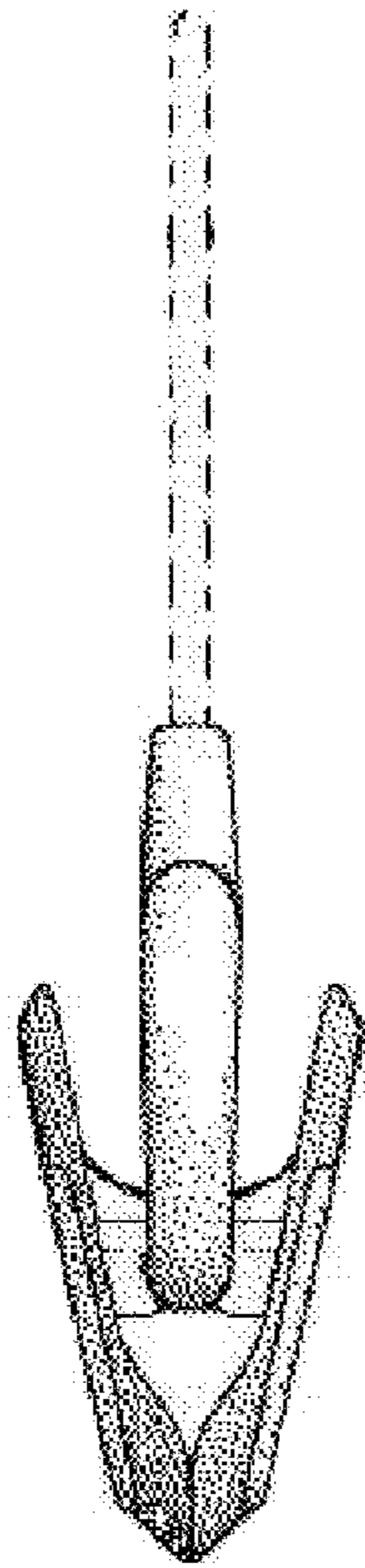


Figure 2



Figure 3

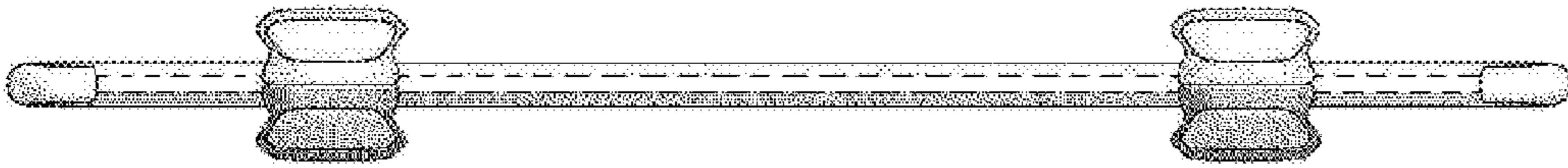


Figure 4

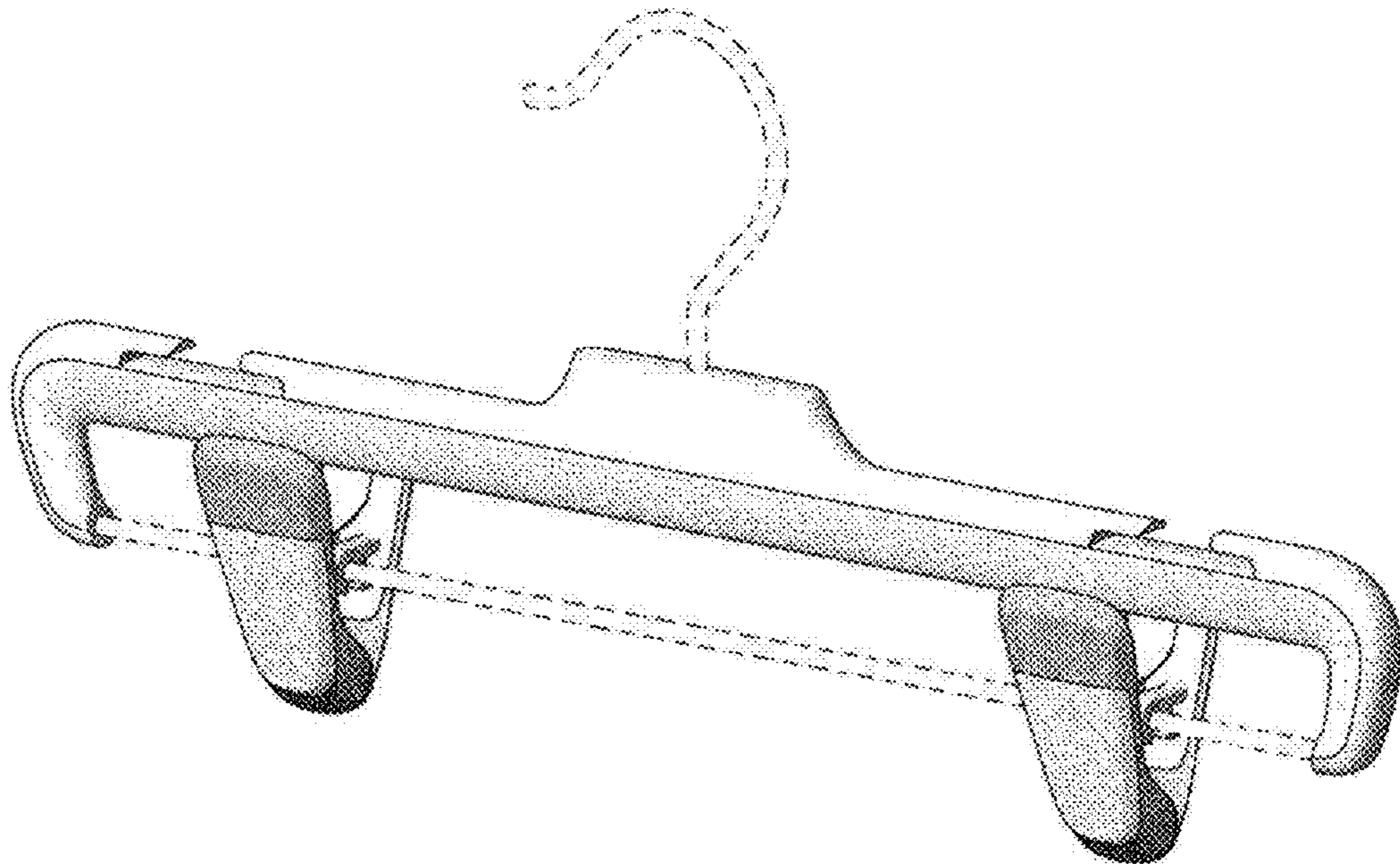


Figure 5