



US00D628397S

(12) **United States Design Patent**
Fort et al.

(10) **Patent No.:** **US D628,397 S**
(45) **Date of Patent:** **** Dec. 7, 2010**

(54) **TROUSER HANGER**

(75) Inventors: **Tucker H. Fort**, New York, NY (US);
Przemyslaw Godycki, Brooklyn, NY
(US); **Alistair Bramley**, Brooklyn, NY
(US); **Nicholas Oxley**, New York, NY
(US)

(73) Assignee: **Helen of Troy Limited**, St. Michael
(BB)

(**) Term: **14 Years**

(21) Appl. No.: **29/359,556**

(22) Filed: **Apr. 13, 2010**

(51) **LOC (9) Cl.** **06-08**

(52) **U.S. Cl.** **D6/319**

(58) **Field of Classification Search** D6/315,
D6/317, 319; 211/1, 13.1, 85.3, 86.01, 118;
223/85-98

See application file for complete search history.

(56) **References Cited**

U.S. PATENT DOCUMENTS

D253,448 S * 11/1979 Salladay D6/319
4,253,577 A * 3/1981 Macfarlane 211/118

D279,627 S * 7/1985 Morin D6/319
D320,699 S * 10/1991 Beloe D6/317
5,385,245 A * 1/1995 Waters 211/85.3
D362,756 S * 10/1995 Finger D6/317
D365,448 S * 12/1995 Travis et al. D6/319
D569,110 S * 5/2008 Chapman et al. D6/319
D608,099 S * 1/2010 Mangano D6/319

* cited by examiner

Primary Examiner—Shanda C Hill

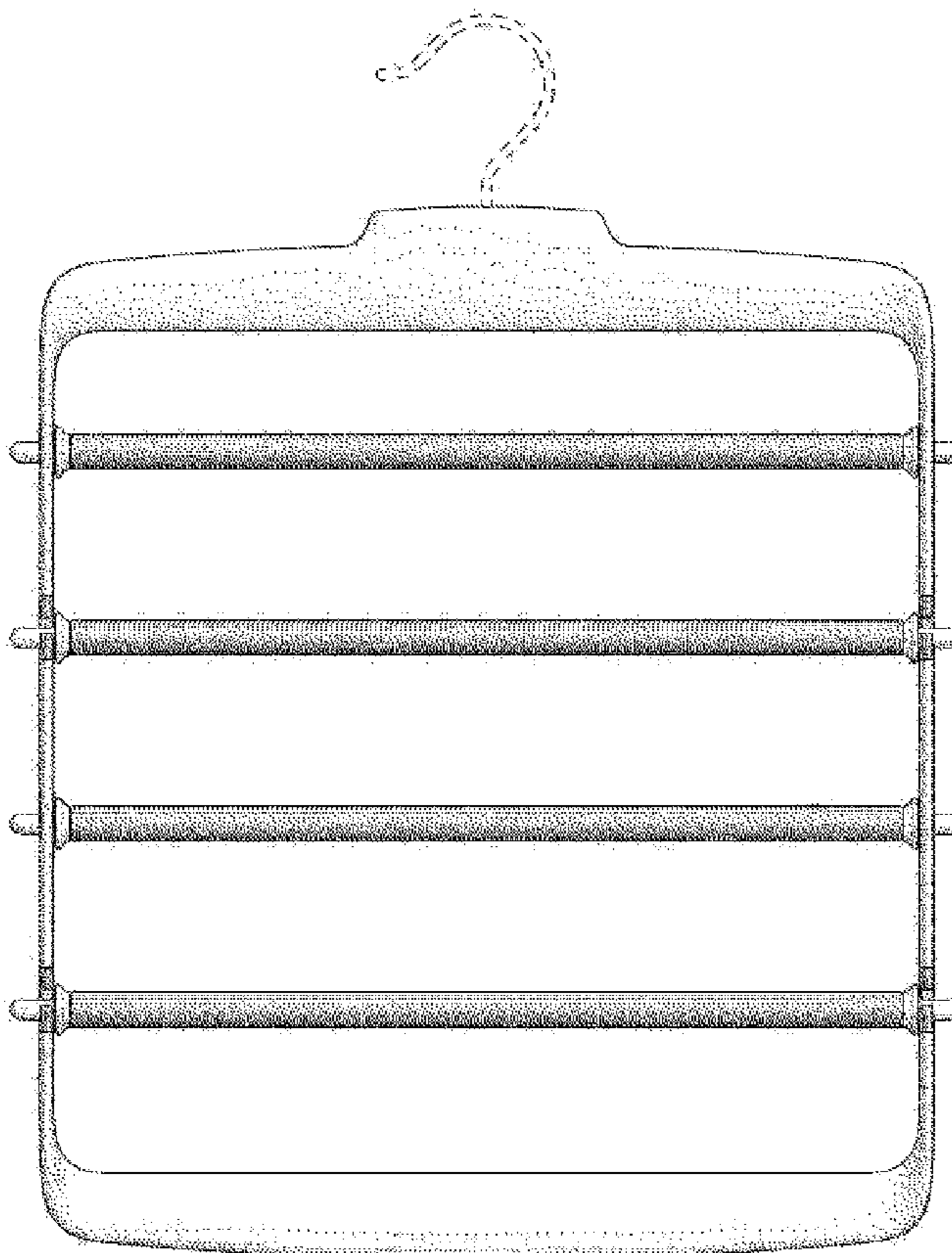
(57) **CLAIM**

The ornamental design for a trouser hanger, as shown, and described.

DESCRIPTION

FIG. 1 is a front view of the trouser hanger;
FIG. 2 is a side view of the trouser hanger;
FIG. 3 is a top view of the trouser hanger;
FIG. 4 is a bottom view of the trouser hanger; and,
FIG. 5 is a perspective view of the trouser hanger.
The broken lines are for illustrative purposes only and form no part of the claimed design.

1 Claim, 5 Drawing Sheets



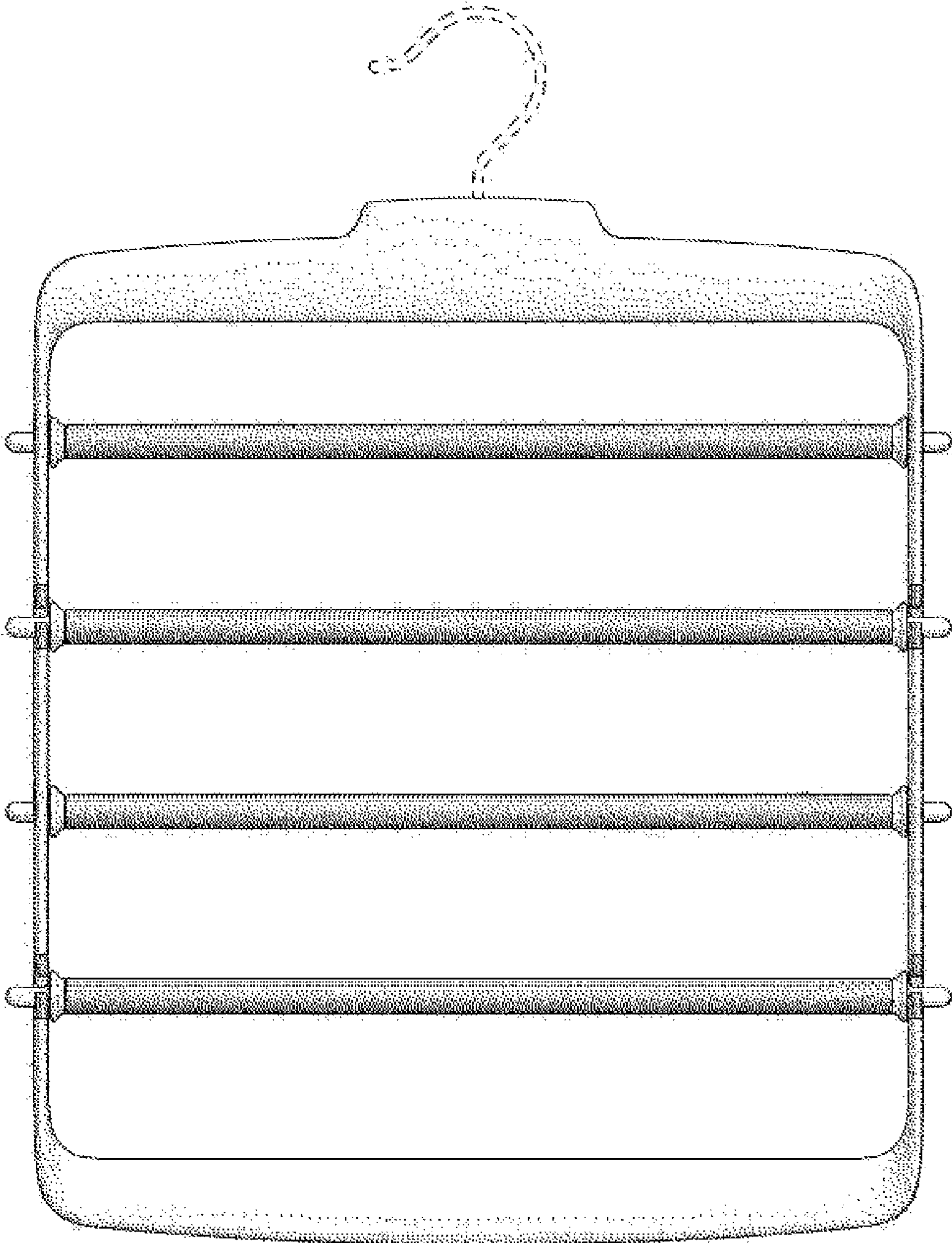


Figure 1



Figure 2

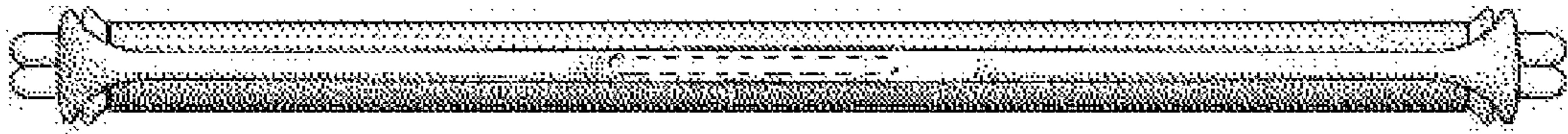


Figure 3

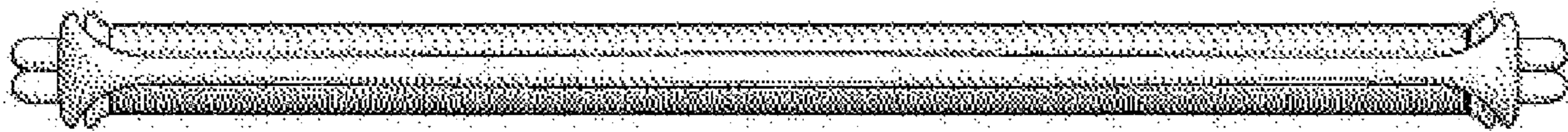


Figure 4

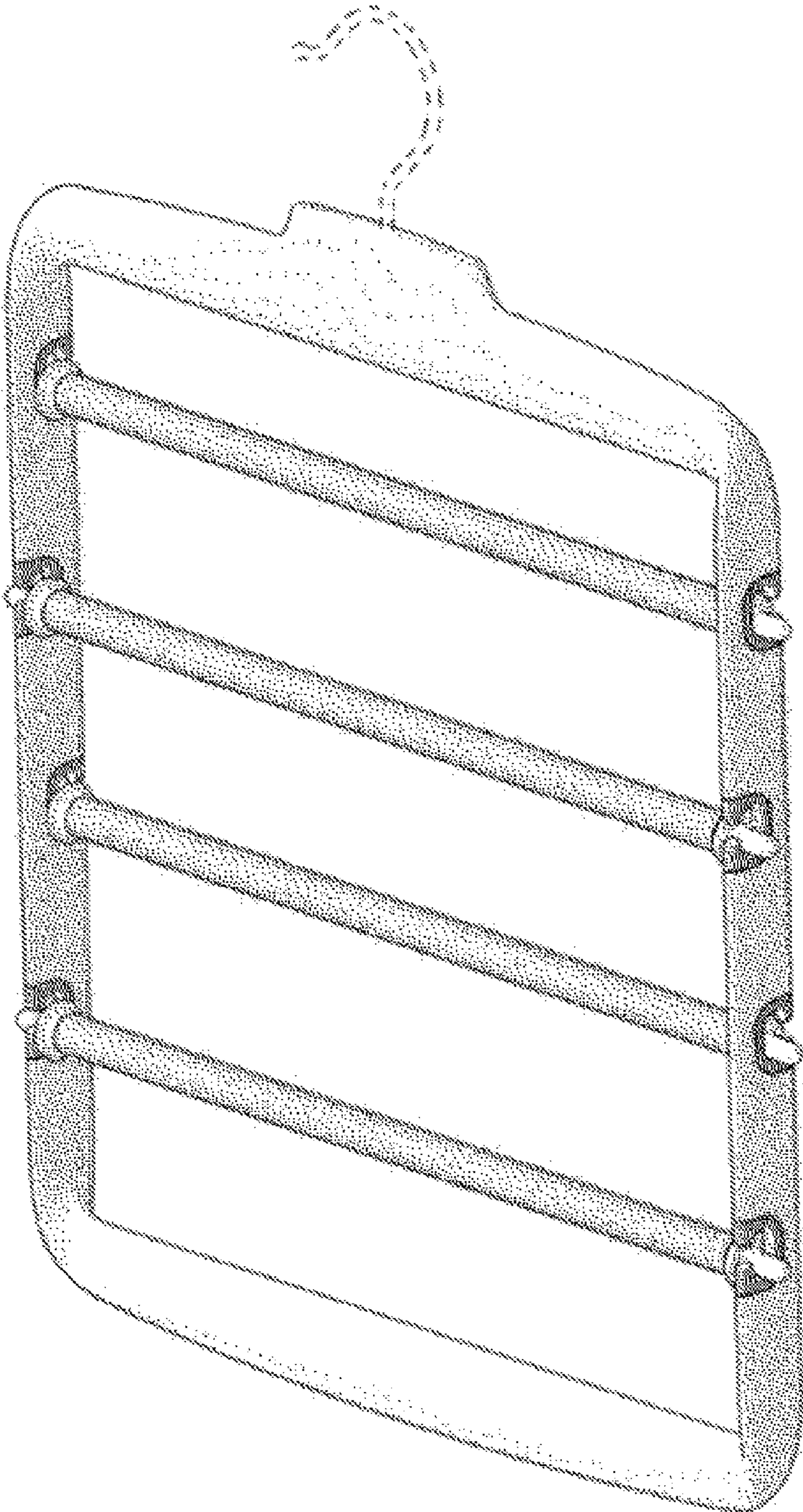


Figure 5