



US00D628390S

(12) **United States Design Patent**
Banks

(10) **Patent No.:** **US D628,390 S**
(45) **Date of Patent:** **** Dec. 7, 2010**

(54) **COMBINED UMPIRES PLATE BRUSH AND ENCLOSURE**

(76) Inventor: **Dalton D. Banks**, 2713 SW. 13th Ave., Cape Coral, FL (US) 33914

(**) Term: **14 Years**

(21) Appl. No.: **29/342,809**

(22) Filed: **Sep. 1, 2009**

(51) **LOC (9) Cl.** **04-01**

(52) **U.S. Cl.** **D4/116; D4/121; D4/135**

(58) **Field of Classification Search** D4/116,
D4/121, 130, 131, 132, 135; 15/146, 184,
15/160, 105

See application file for complete search history.

(56) **References Cited**

U.S. PATENT DOCUMENTS

D158,176 S *	4/1950	Chesney	D4/121
D161,641 S *	1/1951	Newman	D4/121
D311,455 S *	10/1990	Snipes	D4/132
D323,940 S *	2/1992	Murphy et al.	D4/116
D392,434 S *	3/1998	Garner	D4/130
7,313,842 B1	1/2008	Preciado		
2001/0046908 A1 *	11/2001	Loomis et al.	473/451
2004/0221408 A1 *	11/2004	Nagorski	15/105

* cited by examiner

Primary Examiner—Jennifer Rivard

(74) *Attorney, Agent, or Firm*—KB Patents; Luca D’Ottone

(57) **CLAIM**

The ornamental design for the combined umpires plate brush and enclosure, as shown and described.

DESCRIPTION

FIG. 1 is perspective front view of the umpires plate brush and enclosure of the present application

FIG. 2 is a perspective rear view of the umpires plate brush and enclosure of the present application

FIG. 3 is a front view of the umpires plate brush and enclosure of the present application

FIG. 4 is a right side view of the umpires plate brush and enclosure of the present application

FIG. 5 is a left side view of the umpires plate brush and enclosure of the present application

FIG. 6 is a top view of the umpires plate brush and enclosure of the present application

FIG. 7 is a rear view of the umpires plate brush and enclosure of the present application

FIG. 8 is a back view of the umpires plate brush and enclosure of the present application

FIG. 9 is perspective front brush view of the umpires plate brush and enclosure of the present application

FIG. 10 is perspective rear brush view of the umpires plate brush and enclosure of the present application

FIG. 11 is a front brush view of the umpires plate brush and enclosure of the present application

FIG. 12 is a left brush view of the umpires plate brush and enclosure of the present application; and,

FIG. 13 is a rear brush view of the umpires plate brush and enclosure of the present application.

1 Claim, 13 Drawing Sheets

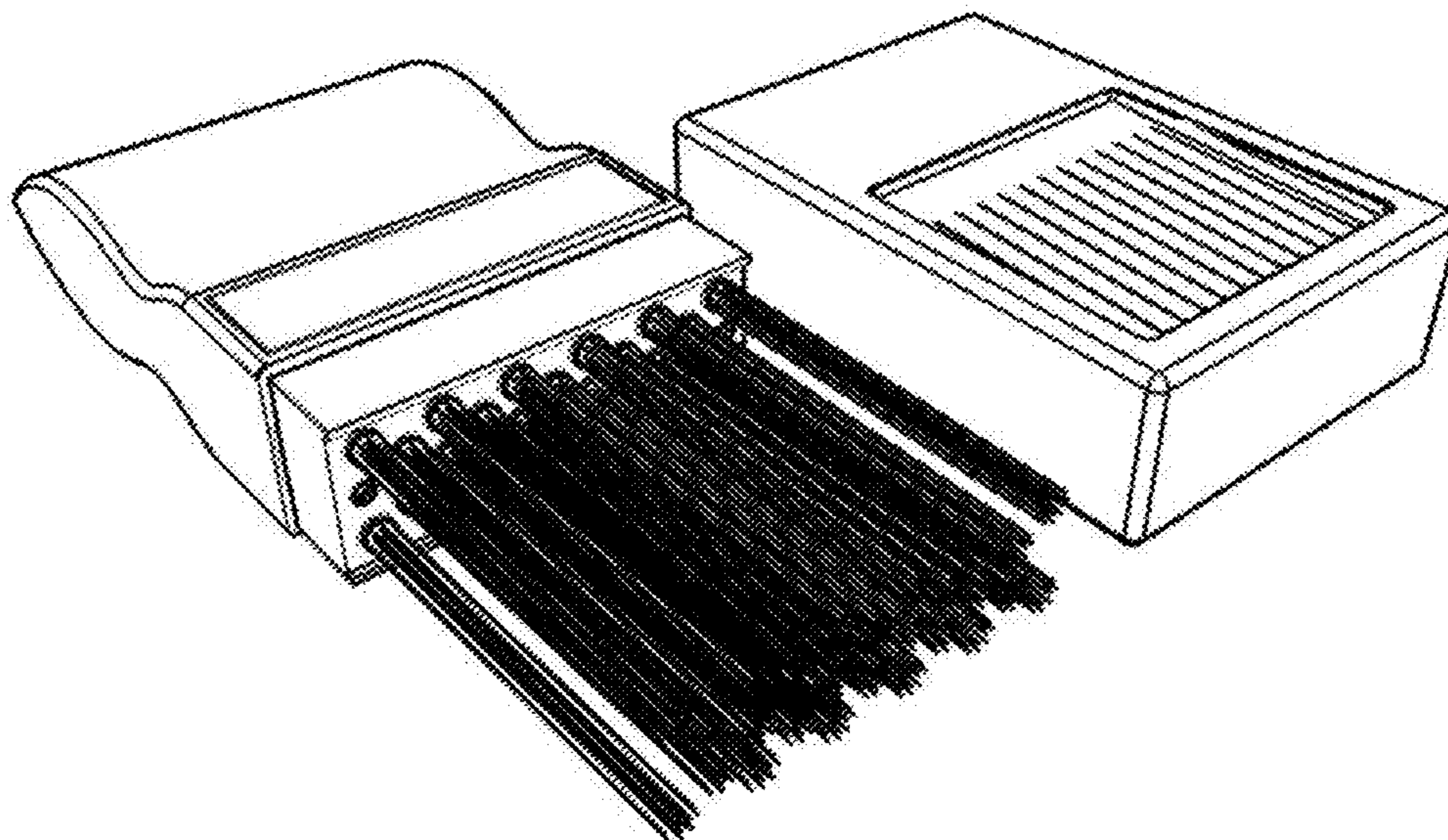


FIG. 1

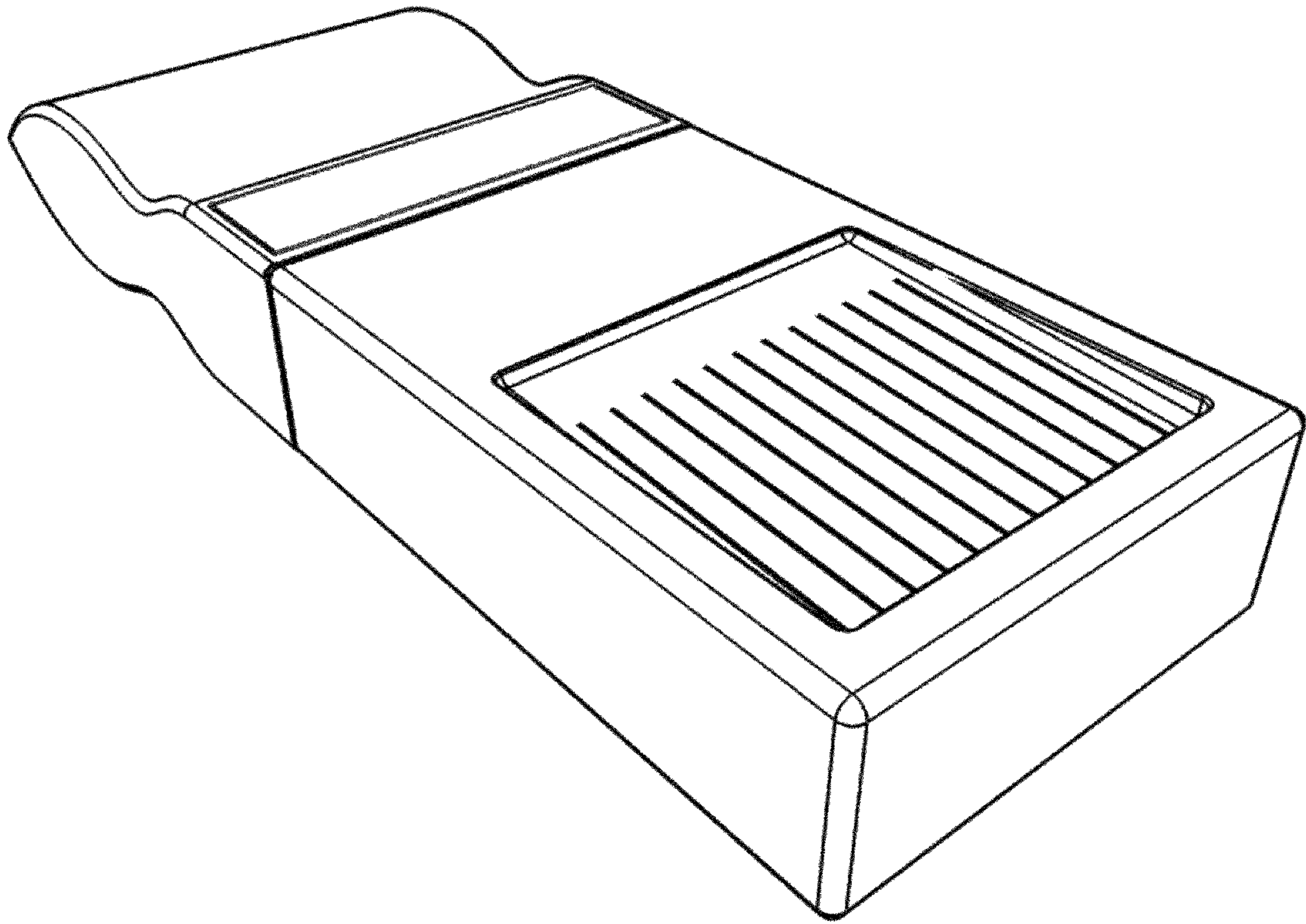


FIG. 2

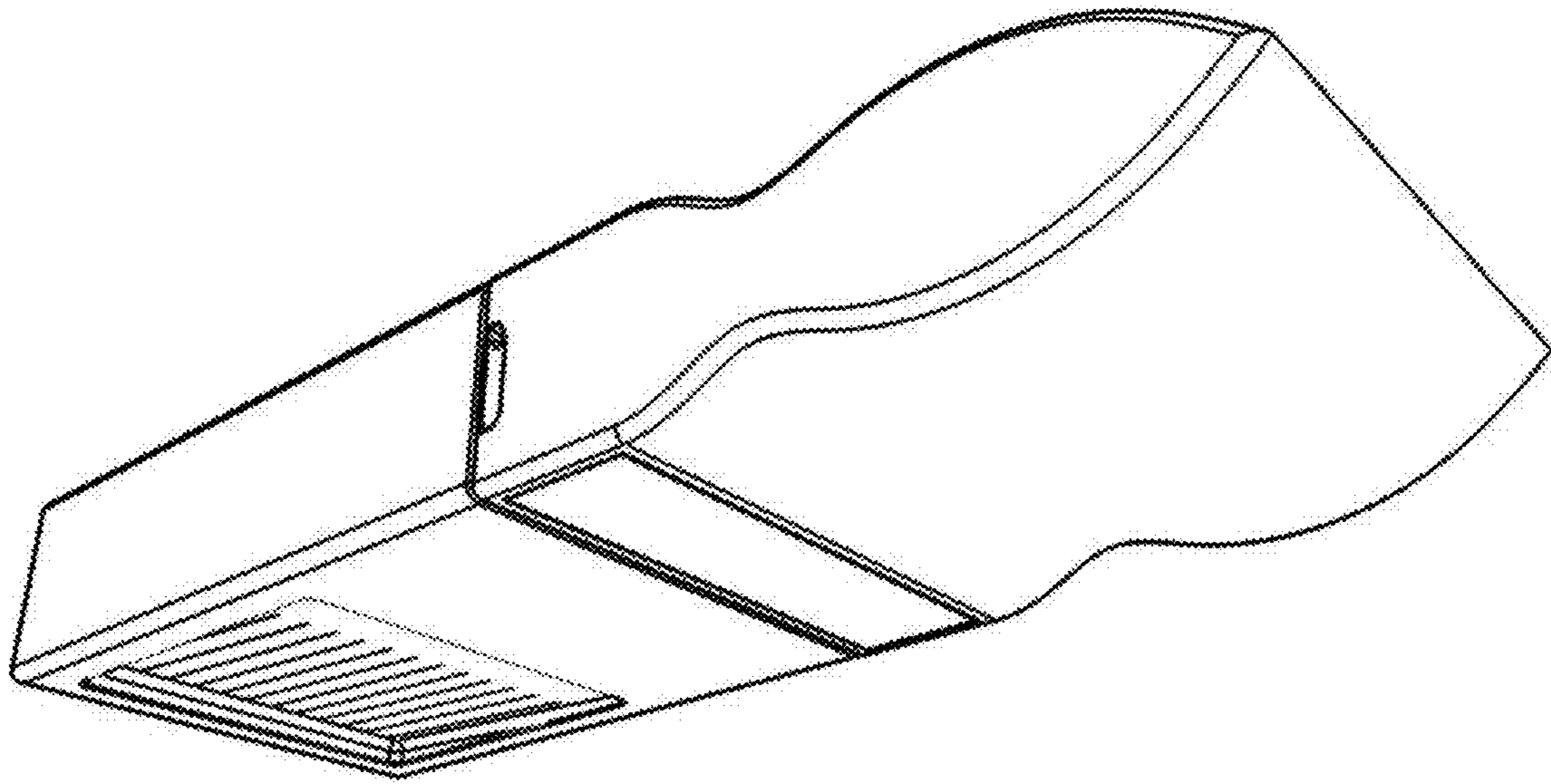


FIG. 3

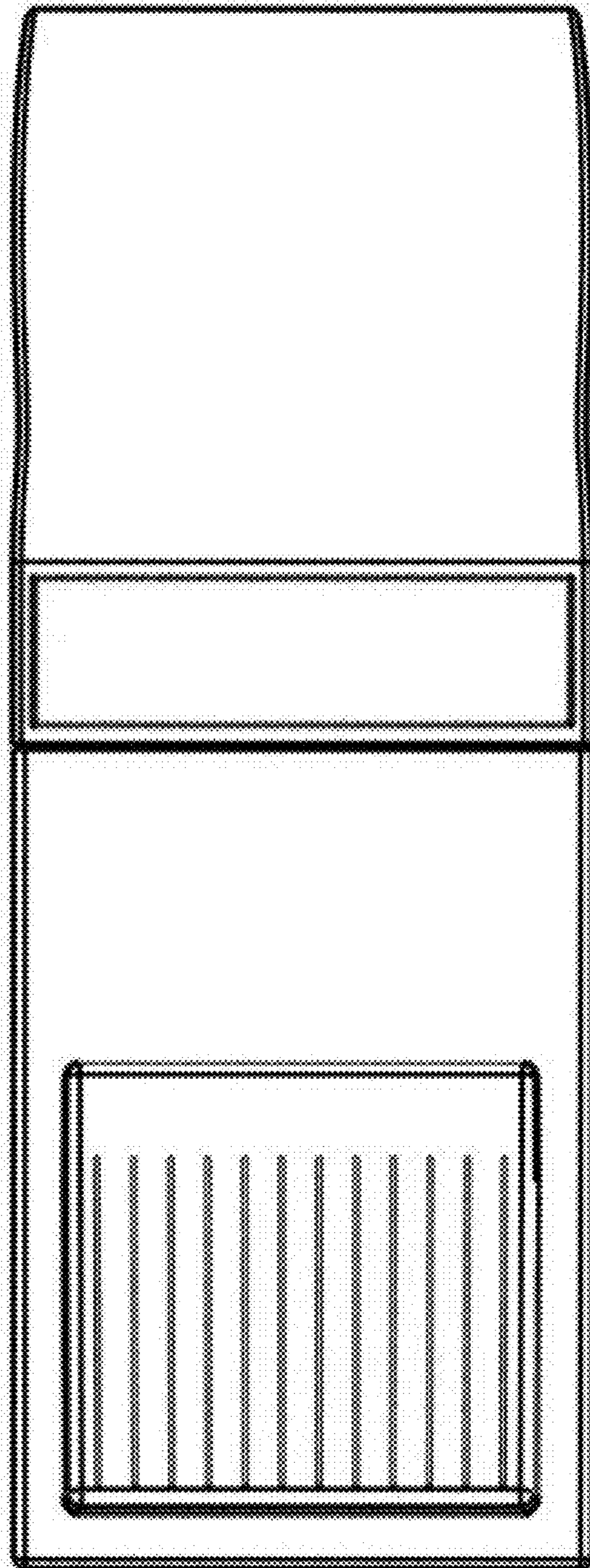


FIG. 4

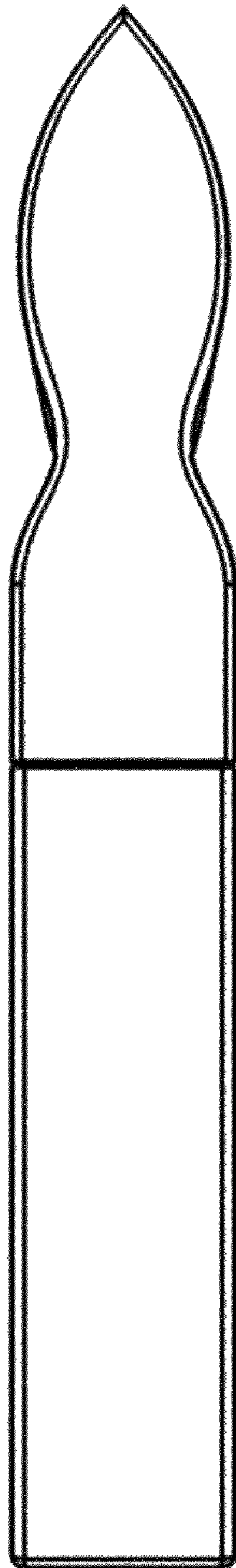


FIG. 5

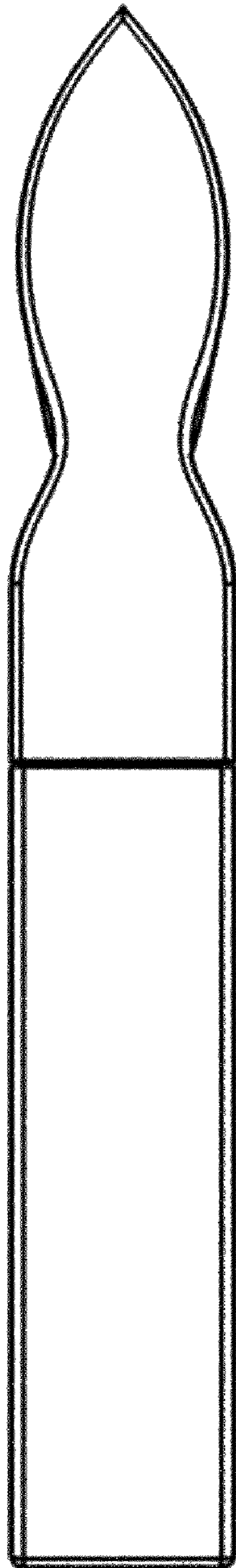


FIG. 6

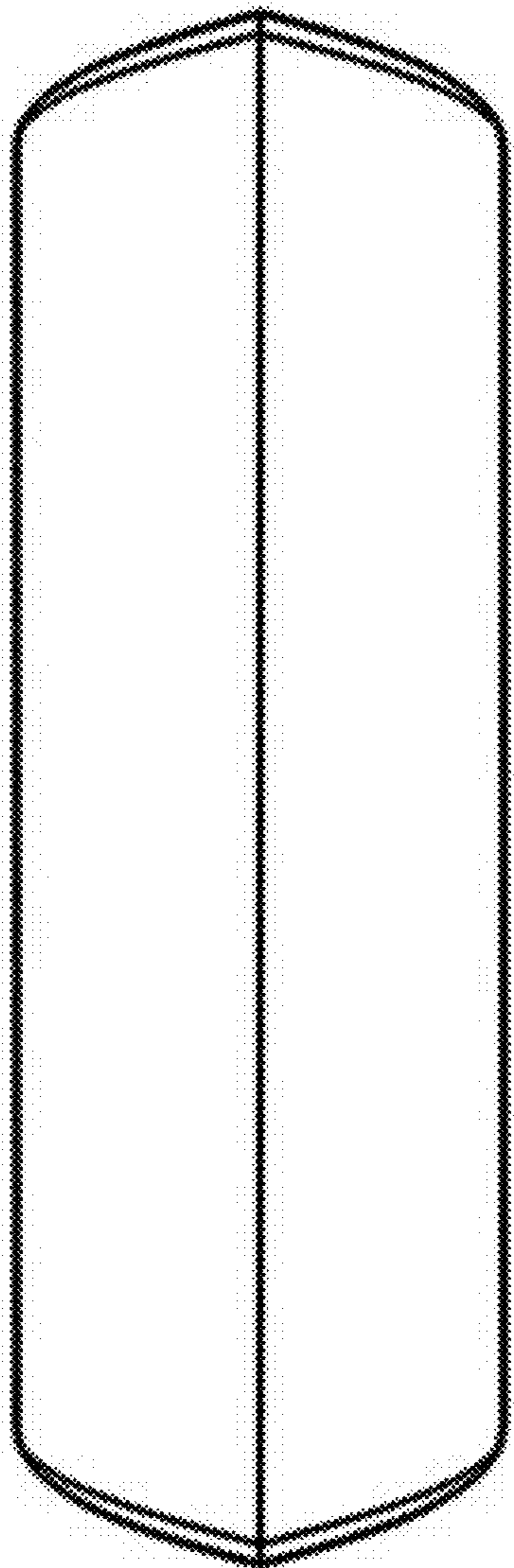


FIG. 7

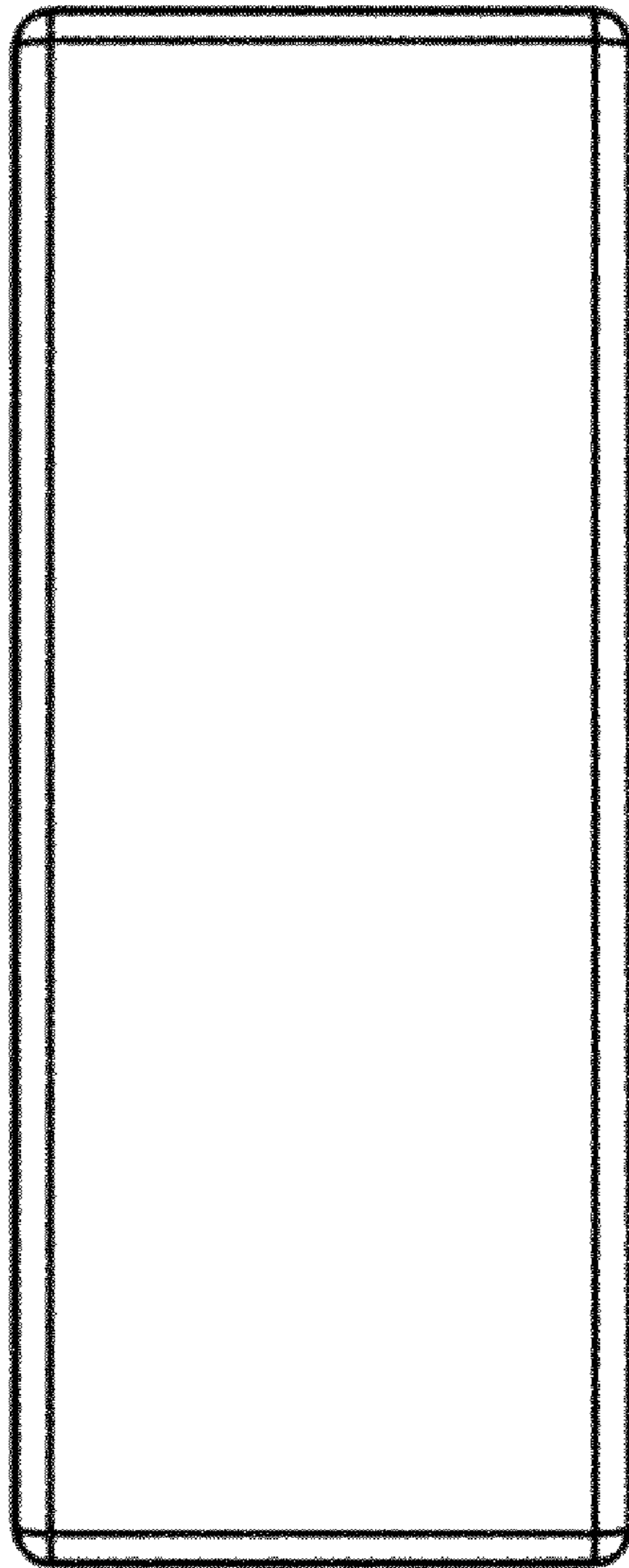


FIG. 8

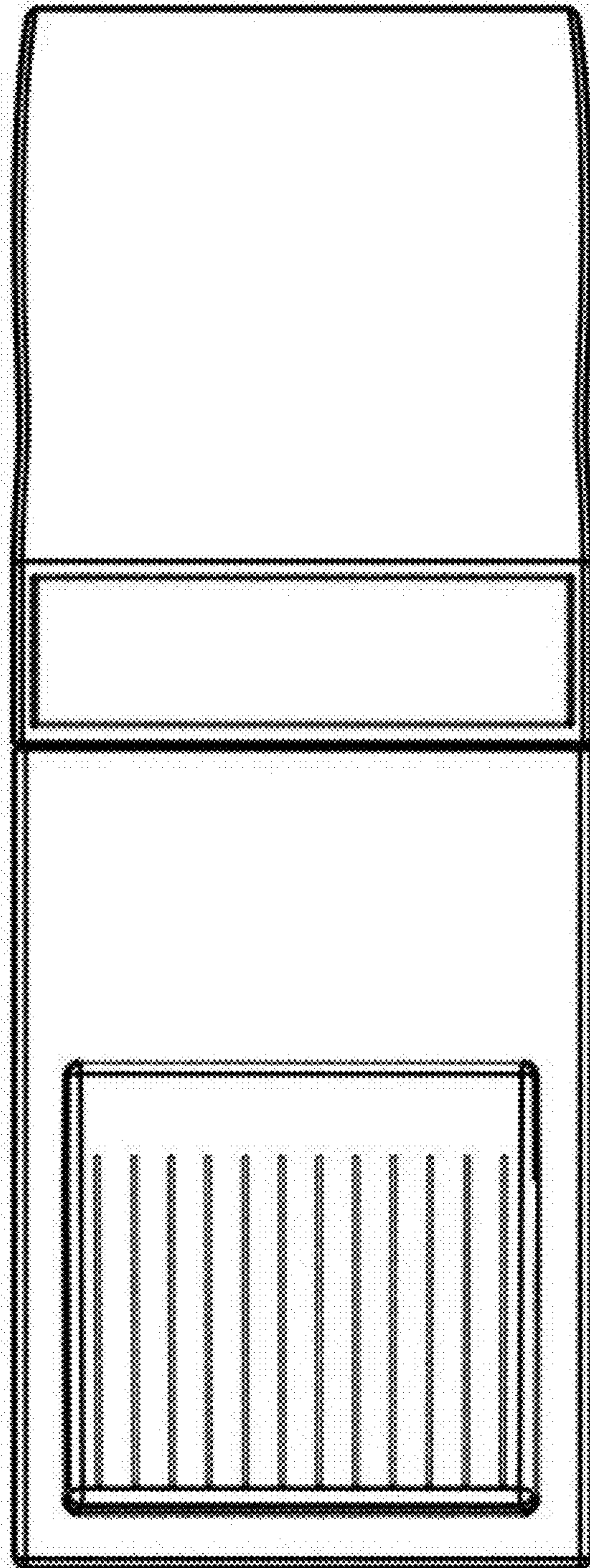


FIG. 9

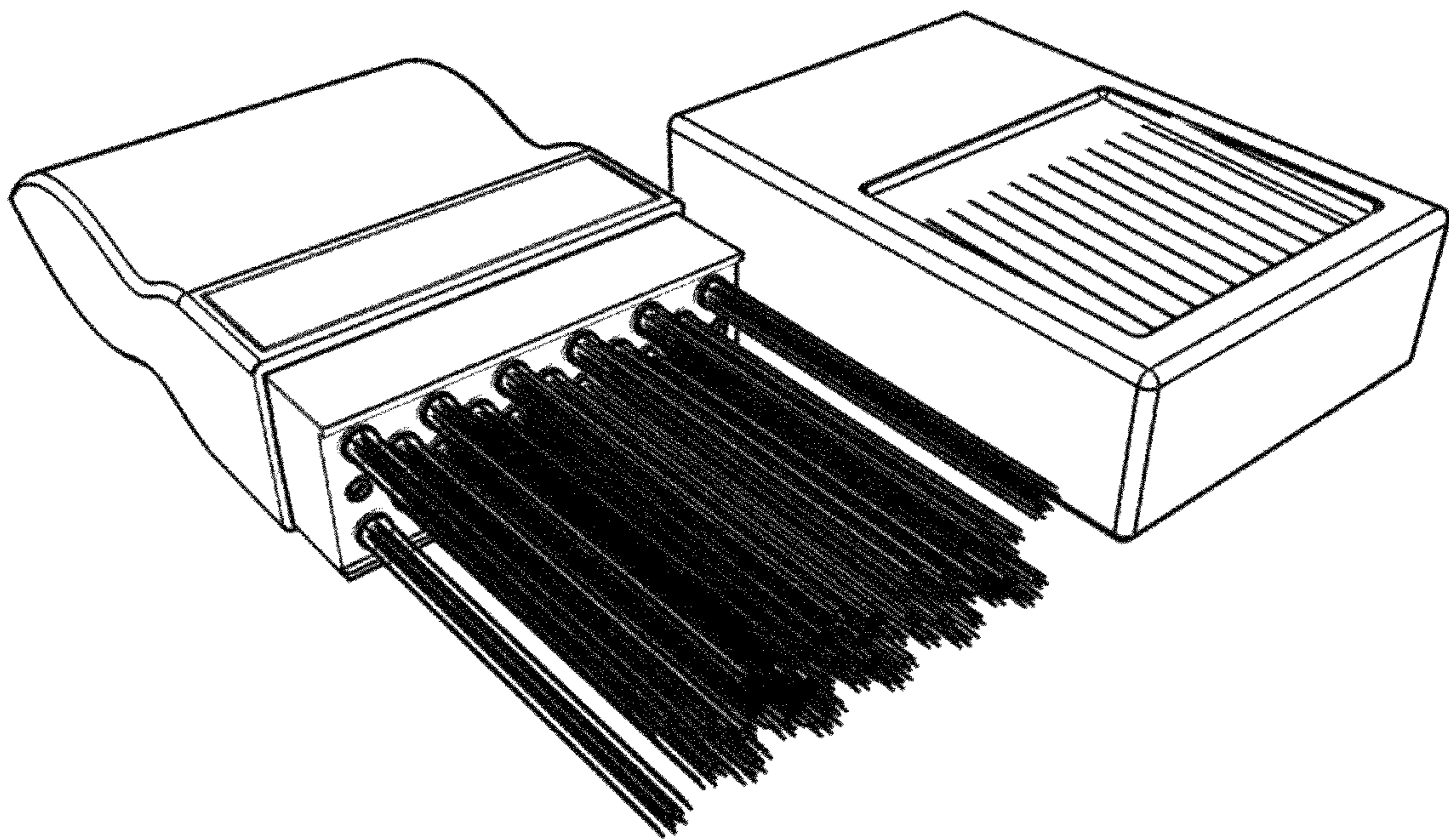


FIG. 10

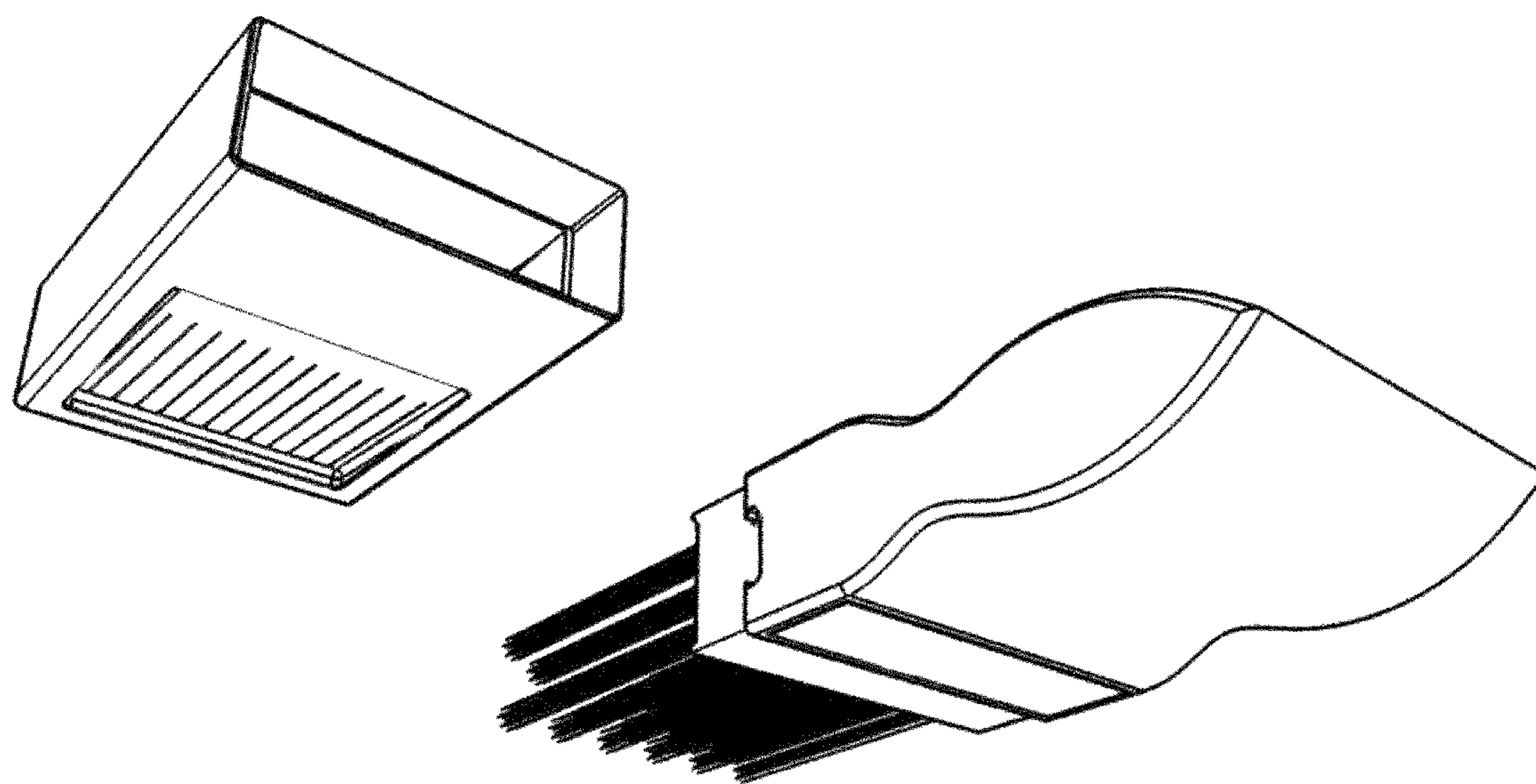


FIG. 11

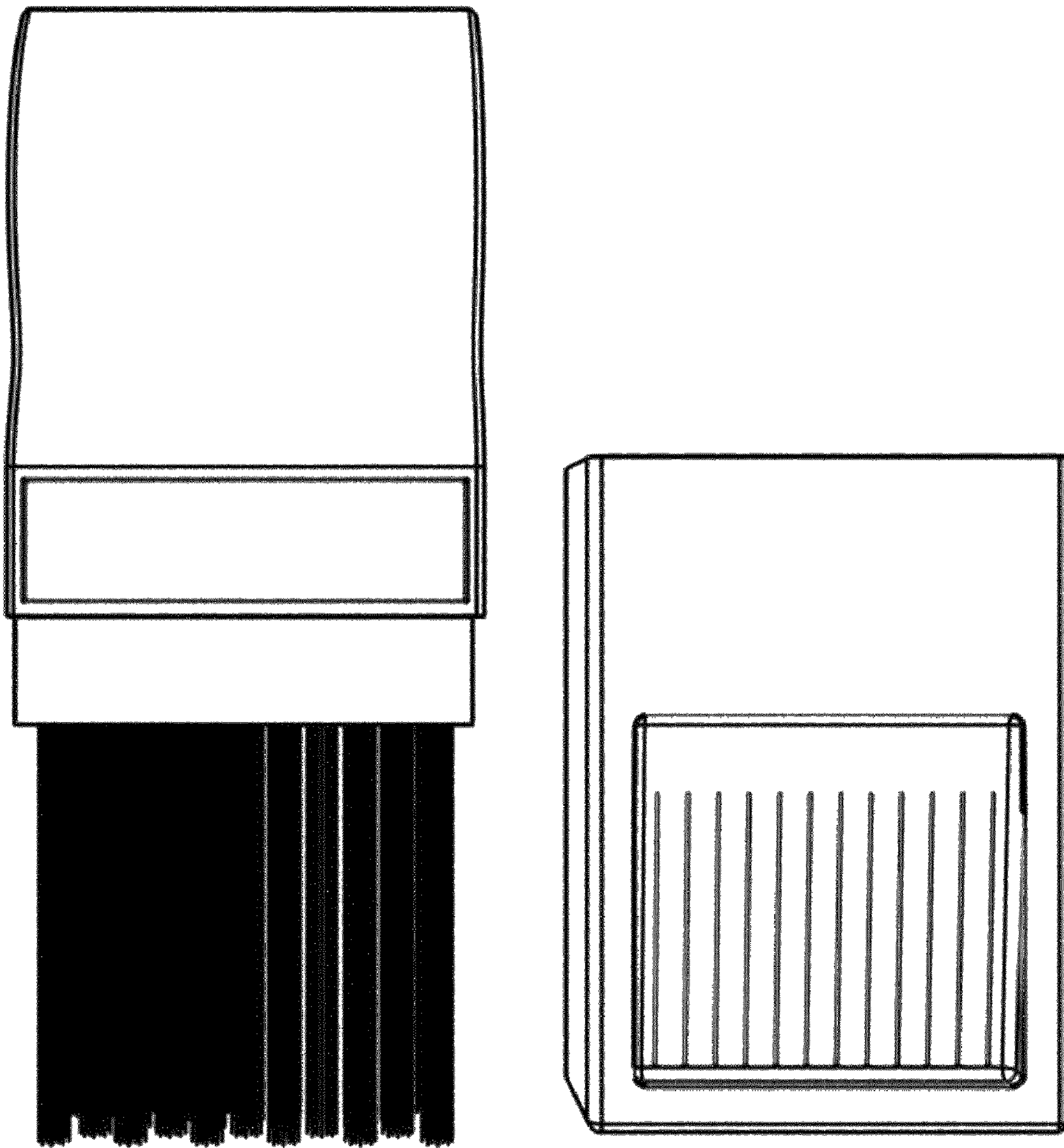


FIG. 12

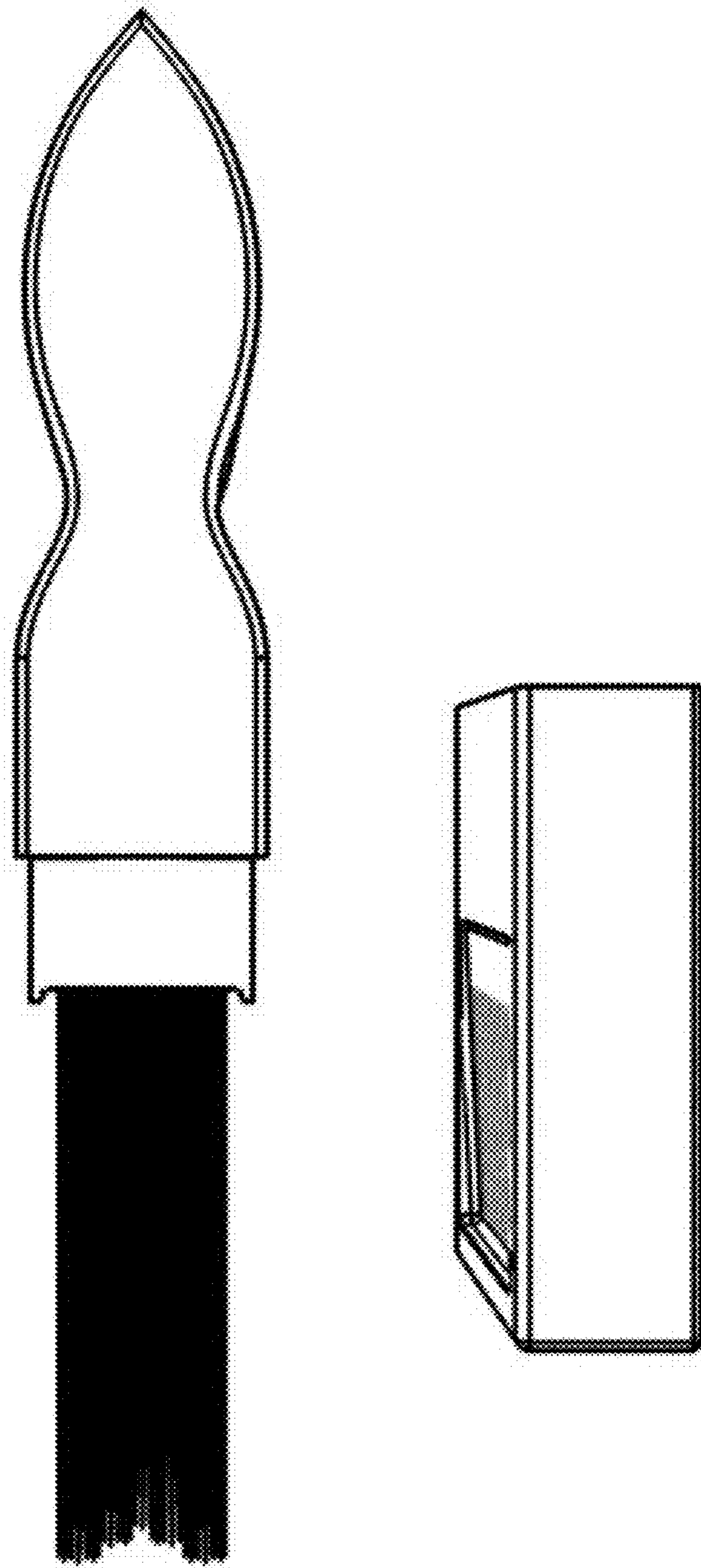


FIG. 13

