



US00D628388S

(12) **United States Design Patent**
Klein et al.

(10) **Patent No.:** **US D628,388 S**

(45) **Date of Patent:** **** Dec. 7, 2010**

(54) **FRONT END OF A CONTAINER**

(75) Inventors: **Richard B. Klein**, Overland Park, KS (US); **Mark A. Etter**, Independence, MO (US); **Brian Everett**, Shawnee, KS (US)

(73) Assignee: **Lynk, Inc.**, Shawnee Mission, KS (US)

(**) Term: **14 Years**

(21) Appl. No.: **29/351,823**

(22) Filed: **Dec. 11, 2009**

(51) **LOC (9) Cl.** **03-01**

(52) **U.S. Cl.** **D3/318**

(58) **Field of Classification Search** D3/318,
D3/303-306; D6/465, 509, 491, 462, 525;
211/42, 181.1

See application file for complete search history.

(56) **References Cited**

U.S. PATENT DOCUMENTS

2,239,369 A	4/1941	Nauert	
2,799,426 A	7/1957	Kaye	
2,832,499 A	4/1958	Maslow	
2,925,919 A	2/1960	Wilson	
RE24,984 E	5/1961	Wilson	
3,338,466 A	8/1967	Hare et al.	
4,569,447 A *	2/1986	Cifranic	211/42
D294,902 S *	3/1988	Sussman	D6/525
D326,946 S	6/1992	Szuster	
D343,712 S *	1/1994	Linder	D3/306
5,626,242 A	5/1997	Weizer	
D413,213 S	8/1999	Paus	
D472,750 S *	4/2003	Clucas	D6/525
D489,207 S *	5/2004	Rosen	D6/525
D493,308 S	7/2004	Nilsson et al.	
6,840,593 B2	1/2005	Remmers	
D507,108 S	7/2005	Suero, Jr.	
6,969,133 B2	11/2005	Compagnucci	
D526,454 S	8/2006	Plikuhn	
D532,216 S	11/2006	Calabria et al.	
D538,496 S	3/2007	Plikuhn	

D546,101 S	7/2007	Knight	
D547,094 S	7/2007	Klein et al.	
D547,982 S	8/2007	Yang et al.	
D555,943 S	11/2007	Butler et al.	
D556,475 S	12/2007	Butler et al.	
D556,476 S	12/2007	Butler et al.	
D562,609 S *	2/2008	Kramer	D6/525
D564,271 S *	3/2008	Snider	D6/525
D564,816 S *	3/2008	Snider	D6/525
D566,439 S *	4/2008	Dretzka	D6/525
D568,077 S	5/2008	Klein et al.	

(Continued)

OTHER PUBLICATIONS

“Wire Organizer Baskets—Slide Out”. Posted Date: Unknown; Printed Date: Sep. 28, 2009; <stacksandstacks.com>.

(Continued)

Primary Examiner—Holly H Baynham
(74) *Attorney, Agent, or Firm*—Hovey Williams LLP

(57) **CLAIM**

The ornamental design for a front end of a container, as shown and described.

DESCRIPTION

FIG. 1 is a perspective view of a front face of a container showing my design;

FIG. 2 is a front elevation view thereof;

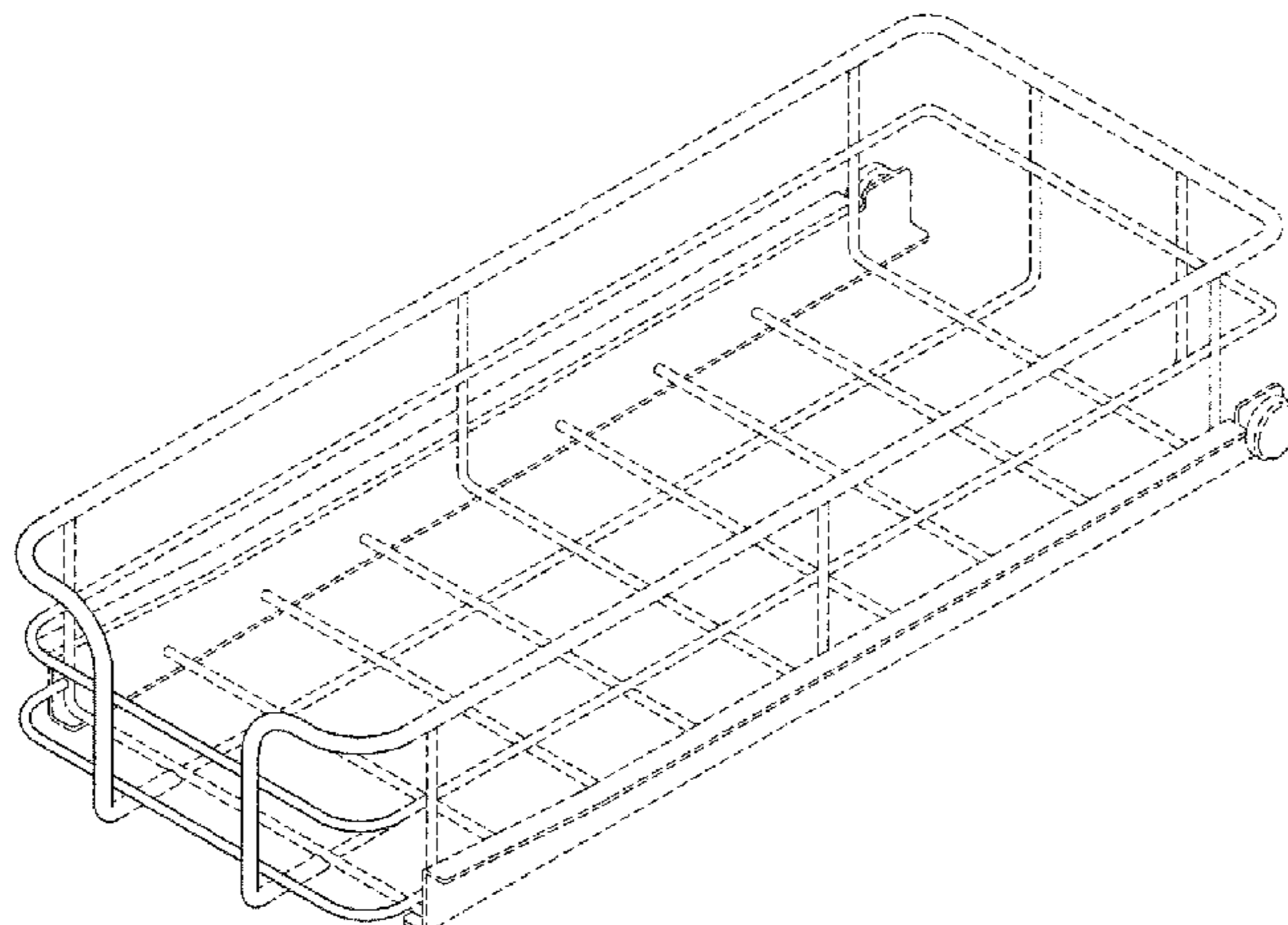
FIG. 3 is a side elevation view thereof with the opposite side being a mirror image thereof;

FIG. 4 is a rear elevation view thereof; and,

FIG. 5 is a top plan view thereof.

The broken lines showing a portion of the container and brackets are for illustrative purposes only and form no part of the claimed design.

1 Claim, 2 Drawing Sheets



U.S. PATENT DOCUMENTS

D568,079	S	5/2008	Klein et al.	
D568,635	S	5/2008	Klein et al.	
D568,657	S *	5/2008	Snider	D6/525
D575,087	S *	8/2008	Ghiorghie	D6/525
D584,056	S *	1/2009	Ghiorghie	D3/306
D590,195	S *	4/2009	Klein et al.	D6/510
2006/0237379	A1	10/2006	Yang et al.	
2006/0283817	A1	12/2006	Yang et al.	

OTHER PUBLICATIONS

“Sliding Basket Organizer”. Posted Date: Unknown; Printed Date: Sep. 28, 2009; <stacksandstacks.com>.

“Small Slide-Out Organizer”. Posted Date: Unknown; Printed Date: Sep. 28, 2009; <stacksandstacks.com>.

“Mesh Slide Out Cabinet Baskets”. Posted Date: Unknown; Printed Date: Sep. 28, 2009; <stacksandstacks.com>.

“Roll-Out Cabinet Drawers”. Posted Date: Unknown; Printed Date: Sep. 14, 2010; <containerstore.com>. Selected photo(s) on the cited website are submitted as enlarged photo(s) on attached, separate sheet(s).

“Schwab Roll Out Multi-Media Storage Drawer for Insulated Media Cabinets”. Posted Date: Unknown; Printed Date: Sep. 14, 2010; <walmart.com>. Selected photo(s) on the cited website are submitted as enlarged photo(s) on attached, separate sheet(s).

“Alera Roll-Out Keyboard Drawer for 66” High Mobile Cabinet. Posted Date: Unknown; Printed Date: Sep. 14, 2010; <nextdayofficesupplies.com>.

“Sliding Susan Pullout Drawer”. Posted Date: Unknown; Printed Date: Sep. 14, 2010; <rocklercom>. Selected photo(s) on the cited website are submitted as enlarged photo(s) on attached, separate sheet(s).

“2-Drawer Mesh Organizer”. Posted Date: Unknown; Printed Date: Unknown; <amazon.com>.

“Rolodex Black Mesh Desktop Organization Cube (FG9E5600BLA)”. Posted Date: Unknown; Printed Date: Jun. 30,

2010; <amazon.com>. Selected photo(s) on the cited website are submitted as enlarged photo(s) on attached, separate sheet(s).

Rubbermaid Spacemaker Cube Organizer, 2 Drawers, Plastic, 6 x 7.25 x 6 Inches, Clear (29882ROS); Posted Date: Unknown; Printed Date: Sep. 14, 2010; <amazon.com>. Selected photo(s) on the cited website are submitted as enlarged photo(s) on attached, separate sheet(s).

Sterilite Corp. 17918004 ClearView 3-Drawer Organizer. Posted Date: Unknown; Printed Date: September 15, 2010; <amazon.com>. Selected photo(s) on the cited website are submitted as enlarged photo(s) on attached, separate sheet(s).

“Silver Mesh 4 Drawer Organizer by Design Ideas”. Posted Date: Unknown; Printed Date: Sep. 14, 2010; <kaboodle.com>. Selected photo(s) on the cited website are submitted as enlarged photo(s) on attached, separate sheet(s).

“Safco Model Mesh 5-Drawer Literature Organizer, Black Onyx (9432)”. Posted Date: Unknown; Printed Date: Jun. 30, 2010; <amazon.com>. Selected photo(s) on the cited website are submitted as enlarged photo(s) on attached, separate sheet(s).

“Expressions Wire Mesh 2 Drawer Cube, Black (ELD9E5600BLA)”. Posted Date: Unknown; Printed Date: Jun. 30, 2010; <amazon.com>. Selected photo(s) on the cited website are submitted as enlarged photo(s) on attached, separate sheet(s).

“Rubbermaid 12-Compartment Organizer with Mesh Drawers”. Posted Date: Unknown; Printed Date: Jun. 30, 2010; <amazon.com>. Selected photo(s) on the cited website are submitted as enlarged photo(s) on attached, separate sheet(s).

“Double Pull Out Storage Shelves - Chrome”. Posted Date: Unknown; Printed Date: Jun. 30, 2010; <organizeit-online.com>. Selected photo(s) on the cited website are submitted as enlarged photo(s) on attached, separate sheet(s).

“Chrome Roll Out Cabinet Drawers”. Posted Date: Unknown; Printed Date: Jun. 30, 2010; <spacesavers.com>. Selected photo(s) on the cited website are submitted as enlarged photo(s) on attached, separate sheet(s).

* cited by examiner

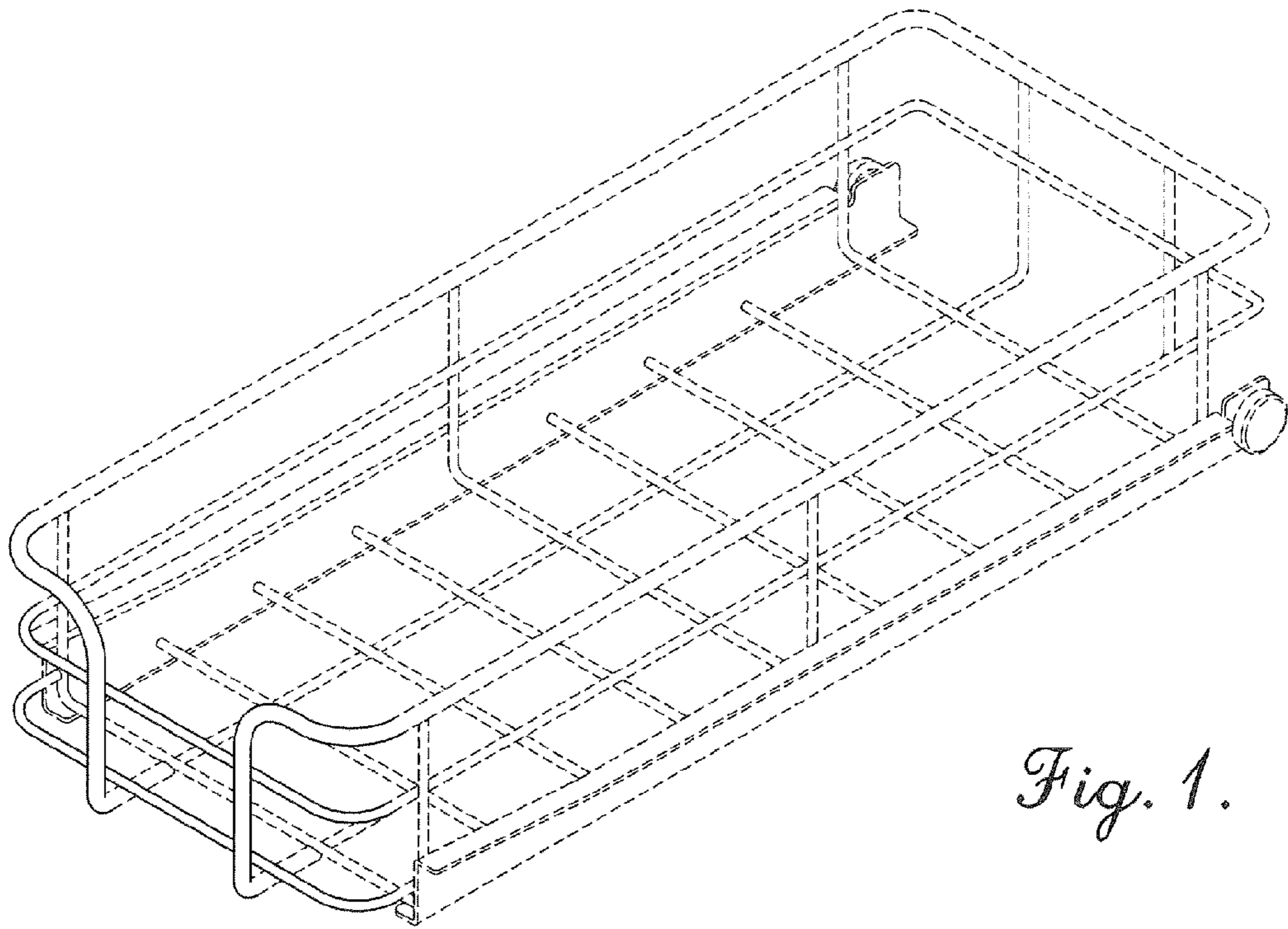


Fig. 1.

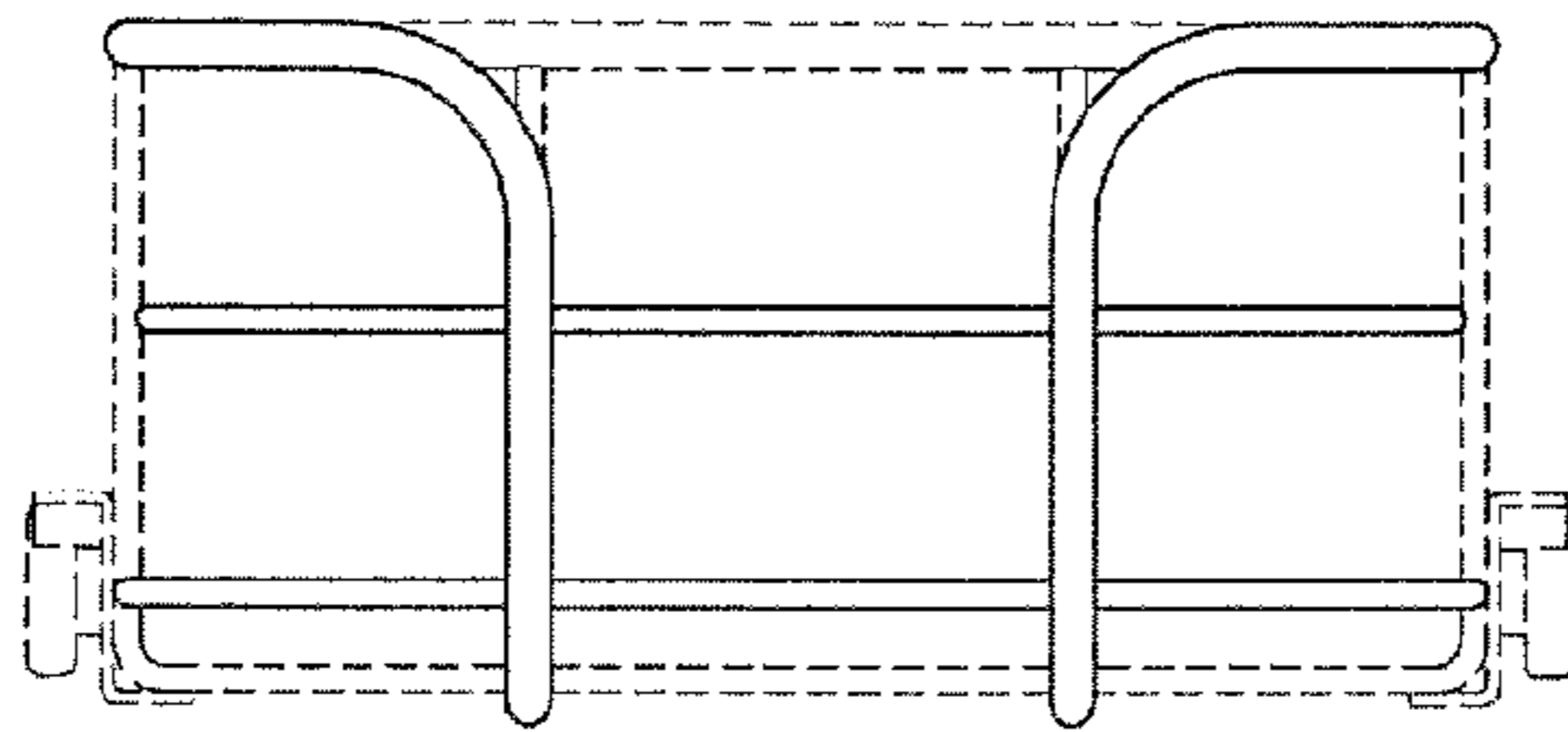


Fig. 2.

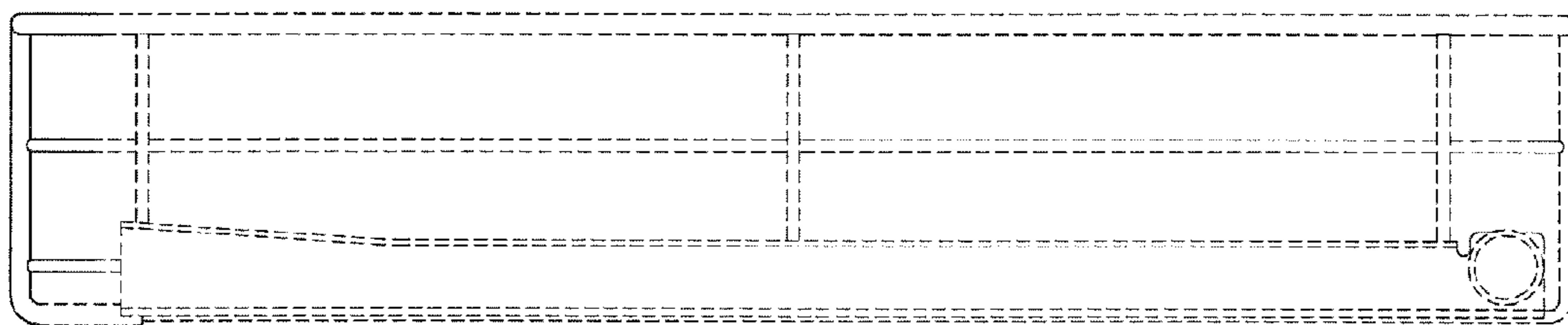


Fig. 3.

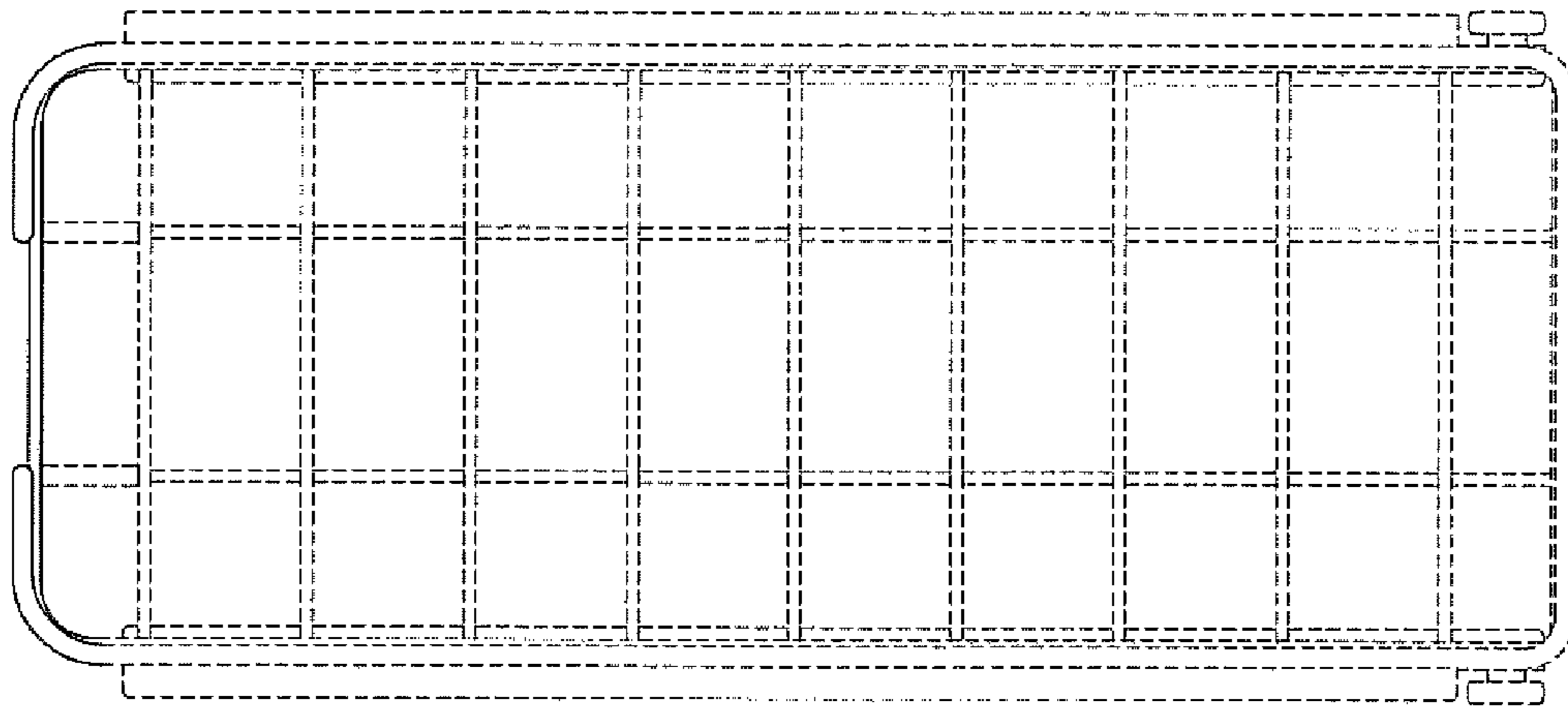


Fig. 4.

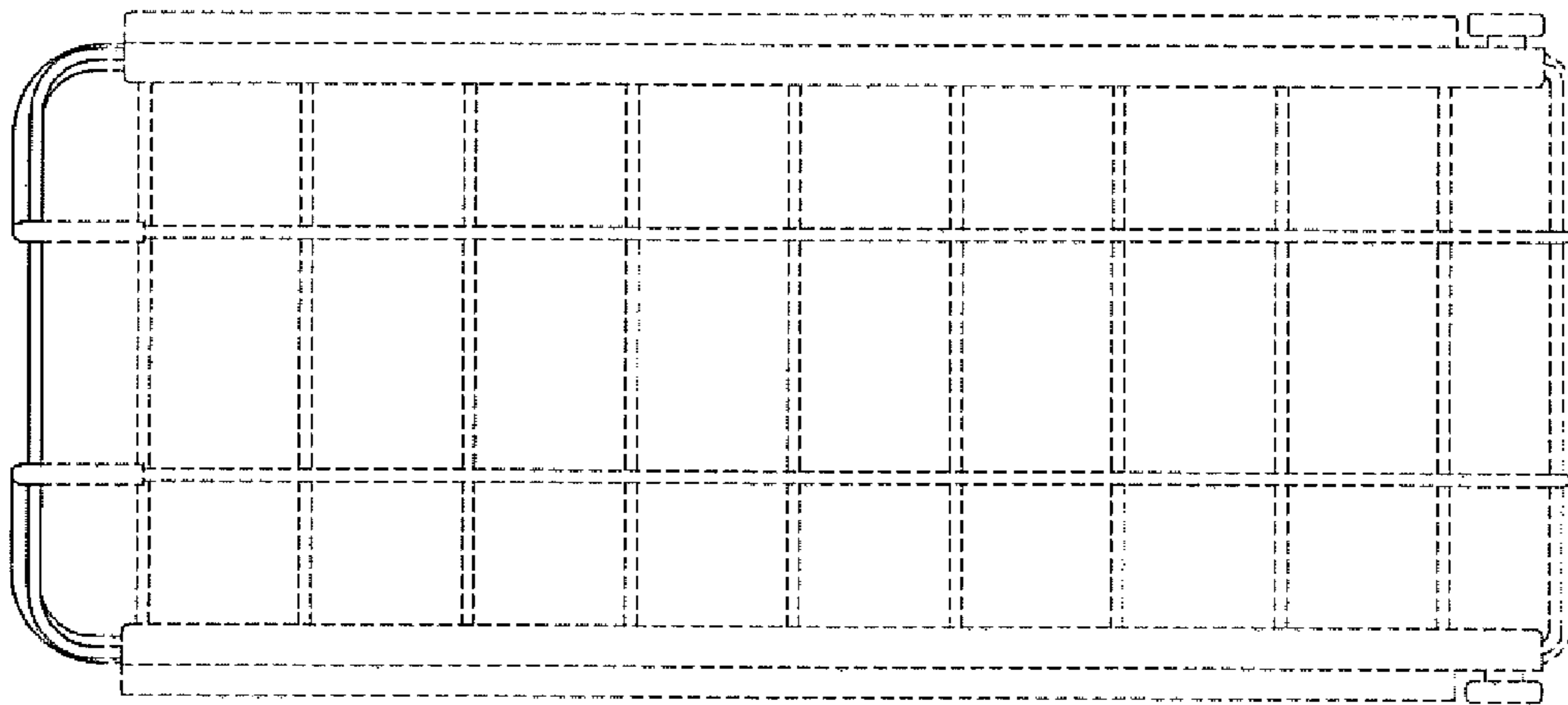


Fig. 5.