



US00D628387S

(12) **United States Design Patent**
Klein et al.

(10) **Patent No.:** **US D628,387 S**
(45) **Date of Patent:** **** Dec. 7, 2010**

(54) **FRONT FACE OF A CONTAINER**

(75) Inventors: **Richard B. Klein**, Overland Park, KS (US); **Mark A. Etter**, Independence, MO (US); **Brian Everett**, Shawnee, KS (US)

(73) Assignee: **Lynk, Inc.**, Shawnee Mission, KS (US)

(**) Term: **14 Years**

(21) Appl. No.: **29/351,808**

(22) Filed: **Dec. 11, 2009**

(51) **LOC (9) Cl.** **03-01**

(52) **U.S. Cl.** **D3/318**

(58) **Field of Classification Search** D3/318,
D3/304, 306; D6/465, 509, 491, 462, 525;
211/42, 181.1

See application file for complete search history.

(56) **References Cited**

U.S. PATENT DOCUMENTS

2,239,369 A	4/1941	Nauret
2,799,426 A	7/1957	Kaye
2,832,499 A	4/1958	Maslow
2,925,919 A	2/1960	Wilson
RE24,984 E	5/1961	Wilson
3,338,466 A	8/1967	Hare et al.
D326,946 S	6/1992	Szuster
5,626,242 A	5/1997	Weizer
D413,213 S	8/1999	Paus
D493,308 S	7/2004	Nilsson et al.
6,840,593 B2	1/2005	Remmers
D507,108 S	7/2005	Suero, Jr.
6,969,133 B2	11/2005	Compagnucci
D526,454 S	8/2006	Pilkuhn
D532,216 S	11/2006	Calabria et al.
D538,496 S	3/2007	Pilkuhn
D546,101 S	7/2007	Knight
D547,094 S	7/2007	Klein et al.
D547,982 S	8/2007	Yang et al.
D555,943 S	11/2007	Butler et al.
D556,475 S	12/2007	Butler et al.

D556,476 S	12/2007	Butler et al.
D568,077 S	5/2008	Klien et al.
D568,635 S	5/2008	Klein et al.
2006/0237379 A1	10/2006	Yang et al.
2006/0283817 A1	12/2006	Yang et al.

OTHER PUBLICATIONS

“Axis Over Cabinet”. Posted Date: Unknown; Printed Date: Feb. 4, 2010; <<http://www.thefind.com/furniture/info-axis-over-cabinet>>.

“Axis Chrome Over Cabinet Storage Basket and Tray”. Posted Date: Unknown; Printed Date: Sep. 29, 2009; <organizeit.com>.

(Continued)

Primary Examiner—Holly H Baynham
(74) *Attorney, Agent, or Firm*—Hovey Williams LLP

(57) **CLAIM**

The ornamental design for a front face of a container, as shown and described.

DESCRIPTION

FIG. 1 is a perspective view of a front face of a container showing my design;

FIG. 2 is a front elevation view thereof;

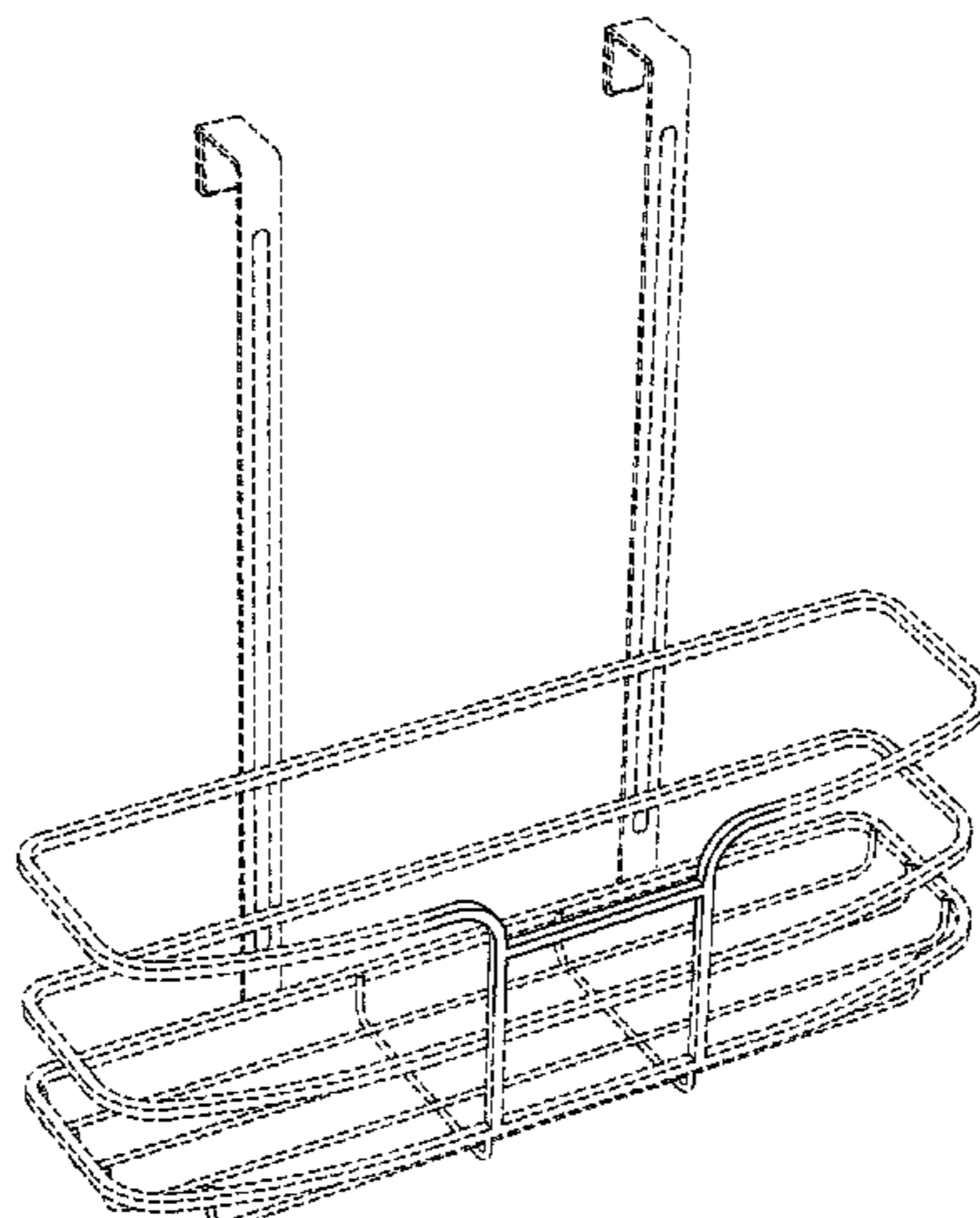
FIG. 3 is a side elevation view thereof with the opposite side being a mirror image thereof;

FIG. 4 is a rear elevation view thereof; and,

FIG. 5 is a top plan view thereof.

The broken lines showing a portion of the container and brackets are for illustrative purposes only and form no part of the claimed design.

1 Claim, 4 Drawing Sheets



OTHER PUBLICATIONS

“Axis Chrome Over Cabinet Storage Tray”. Posted Date: Unknown; Printed Date: Sep. 29, 2009; <organizeit.com>.

“Over the Cabinet Organizer—Tall”. Posted Date: Unknown; Printed Date: Sep. 29, 2009; <cayneshousewares.com>.

“Over the Cabinet Door Basket—Wire Organizer Holds Dish”. Posted Date: Unknown; Printed Date: Sep. 29, 2009; <stacksandstacks.com>.

“Axis Over the Cabinet X2 Basket”. Posted Date: Unknown; Printed Date: Sep. 14, 2010; <stacksandstacks.com>.

“Axis Chrome Over Cabinet Deep Storage Basket”. Posted Date: Unknown; Printed Date: Sep. 14, 2010; <organizeit.com>.

Photos of storage baskets.

“2-Drawer Mesh Organizer”. Posted Date: Unknown; Printed Date: Unknown; <amazon.com>.

“Rolodex Black Mesh Desktop Organization Cube (FG9E5600BLA)”. Posted Date: Unknown; Printed Date: Jun. 30, 2010; <amazon.com>.

Rubbermaid Spacemaker Cube Organizer, 2 Drawers, Plastic, 6 x 7.25 x 6 Inches, Clear (29882ROS); Posted Date: Unknown; Printed Date: Sep. 14, 2010; <amazon.com>.

Sterilite Corp. 17918004 ClearView 3-Drawer Organizer. Posted Date: Unknown; Printed Date: Sep. 15, 2010; <amazon.com>.

“Silver Mesh 4 Drawer Organizer by Design Ideas”. Posted Date: Unknown; Printed Date: Sep. 14, 2010; <kaboodle.com>.

“Safco Model Mesh 5-Drawer Literature Organizer, Black Onyx (9432)”. Posted Date: Unknown; Printed Date: Jun. 30, 2010; <amazon.com>.

“Expressions Wire Mesh 2 Drawer Cube, Black (ELD9E5600BLA)”. Posted Date: Unknown; Printed Date: Jun. 30, 2010; <amazon.com>.

“Rubbermaid 12-Compartment Organizer with Mesh Drawers”. Posted Date: Unknown; Printed Date: Jun. 30, 2010; <amazon.com>.

“Double Pull Out Storage Shelves - Chrome”. Posted Date: Unknown; Printed Date: Jun. 30, 2010; <organizeit-online.com>.

“Chrome Roll Out Cabinet Drawers”. Posted Date: Unknown; Printed Date: Jun. 30, 2010; <spacesavers.com>.

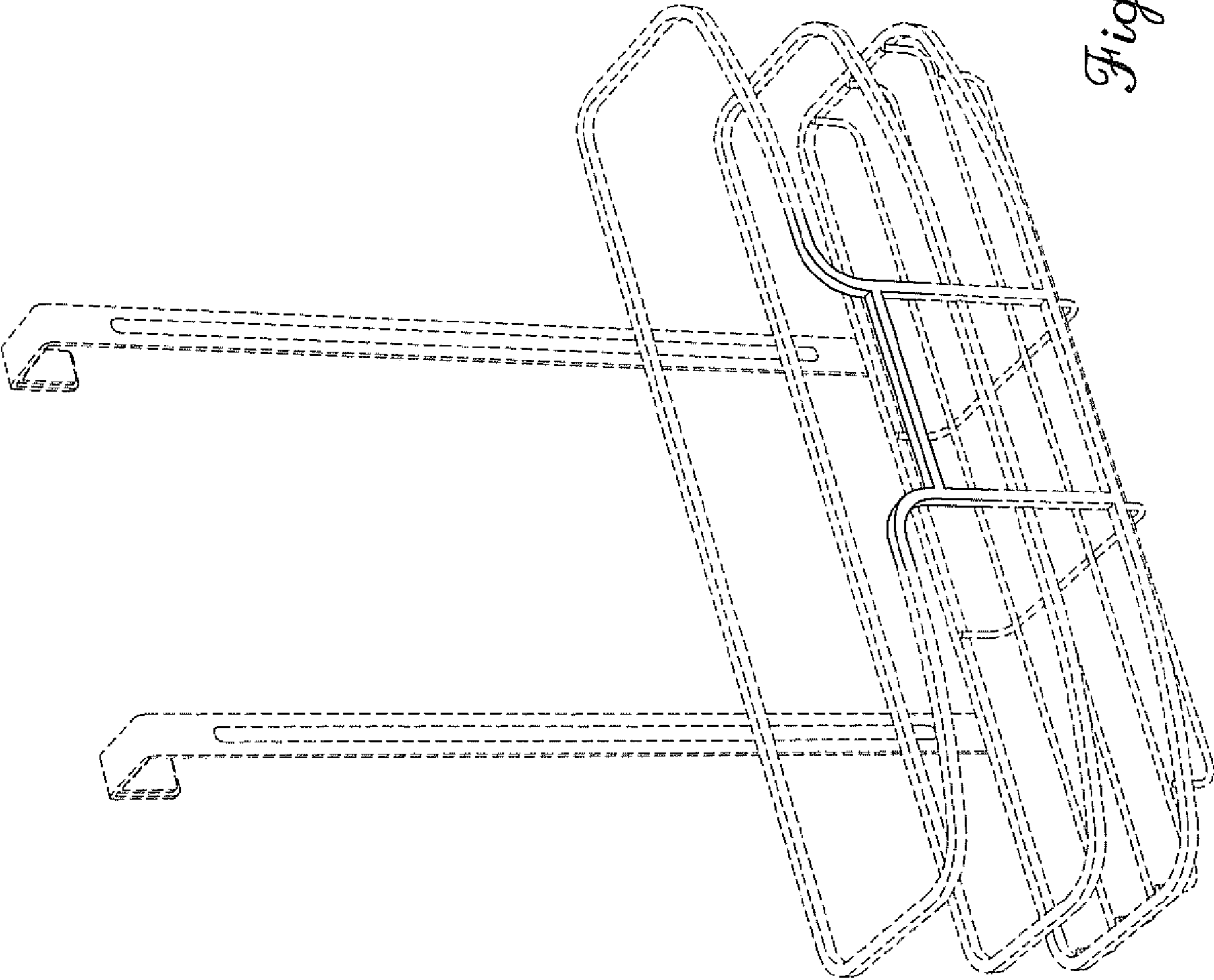


Fig. 1.

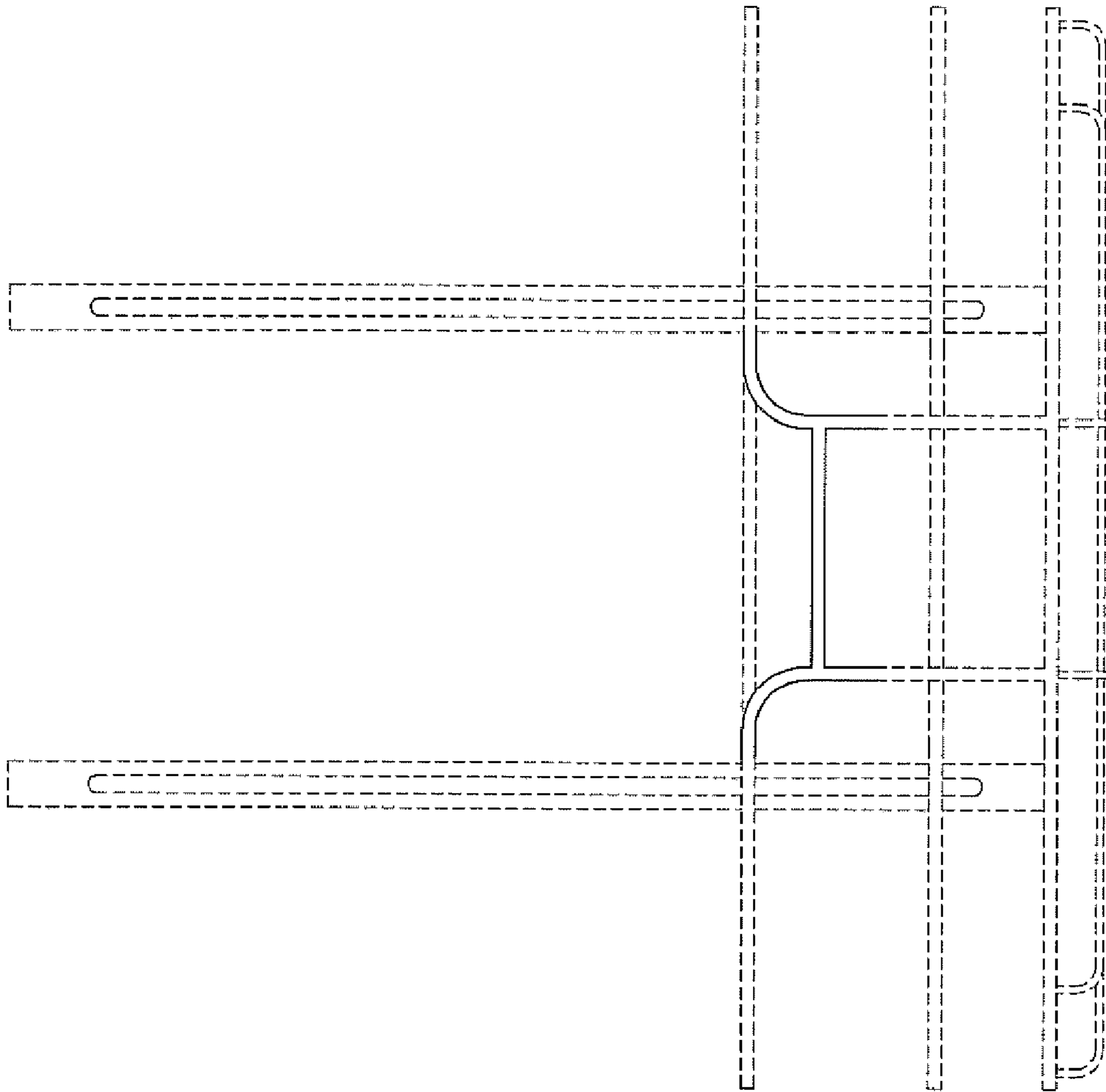


Fig. 2.

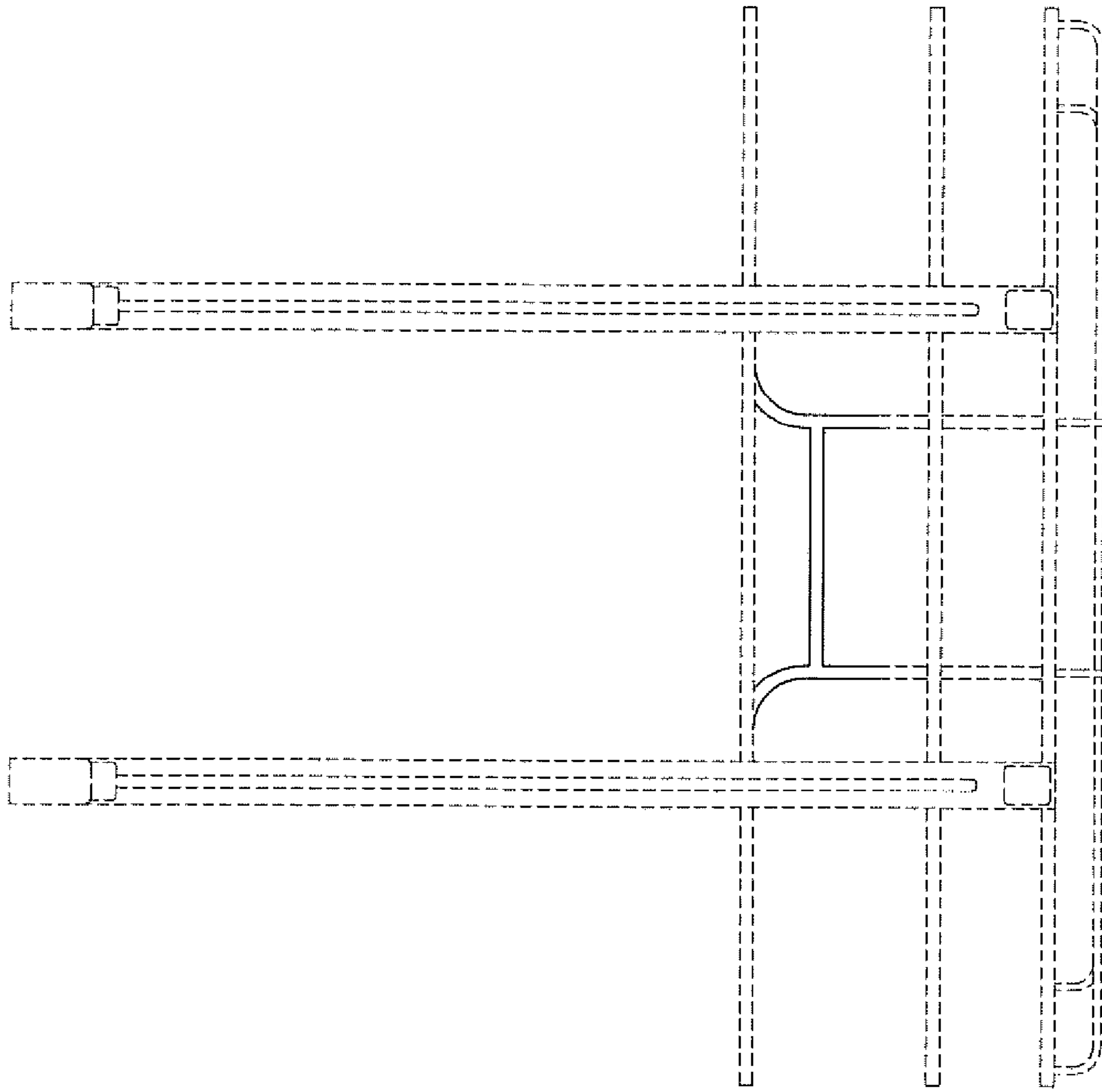


Fig. 4.

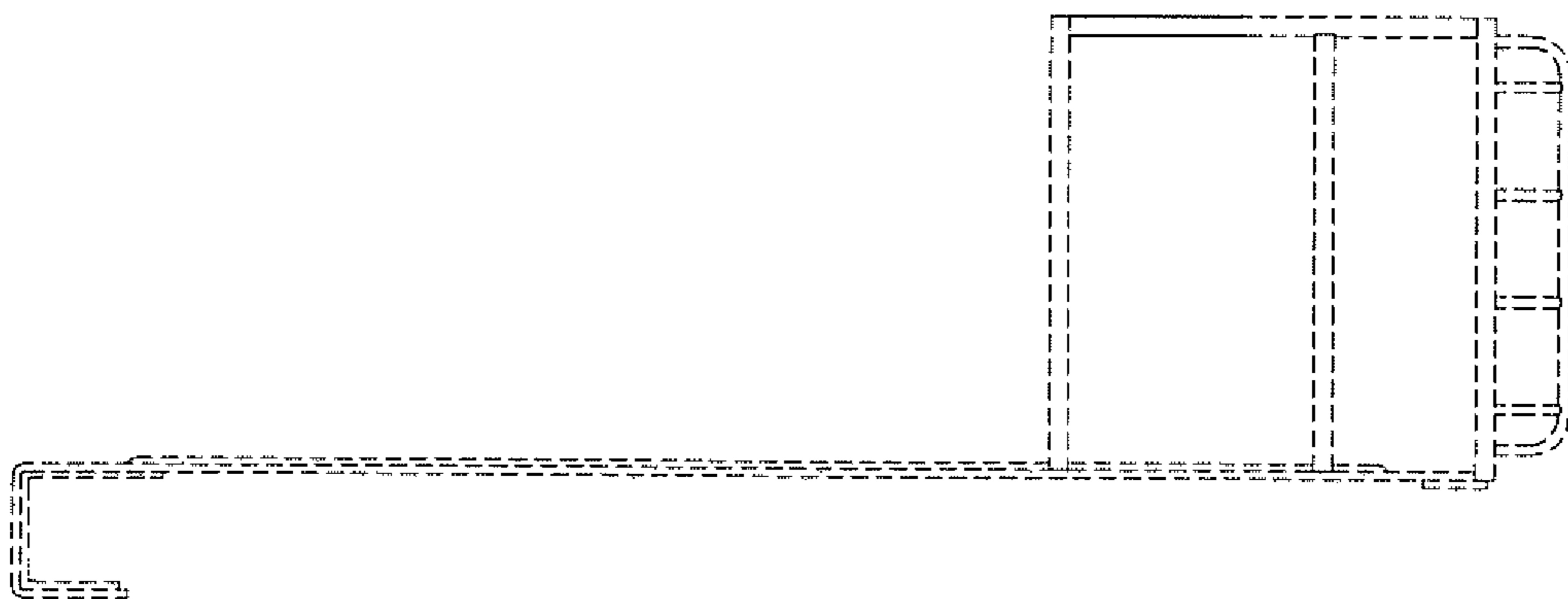


Fig. 3.

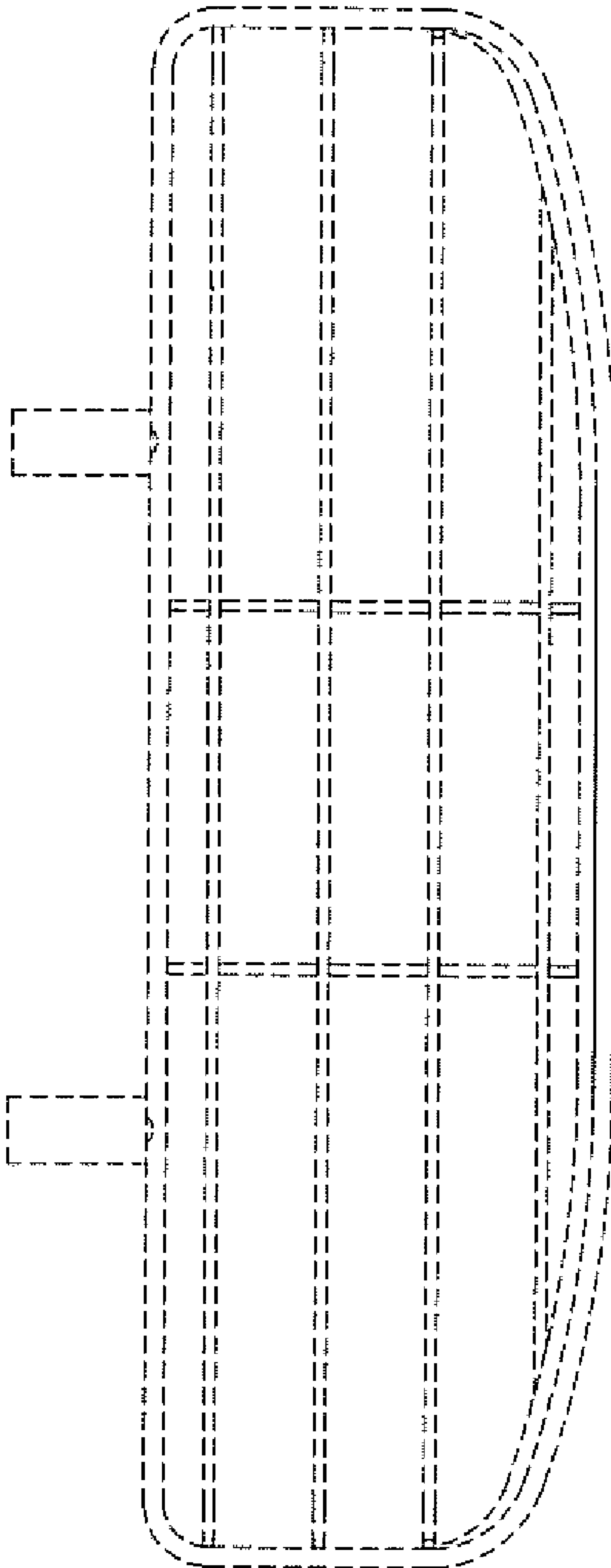


Fig. 5.