



US00D628386S

(12) **United States Design Patent**
Kohn

(10) **Patent No.:** **US D628,386 S**

(45) **Date of Patent:** **** Dec. 7, 2010**

(54) **BUCKET LID TOOL ORGANIZER**

(76) Inventor: **Peter Kohn**, 3731 N. Country Club Dr.,
Apt 1223, Aventura, FL (US) 33180

(**) Term: **14 Years**

(21) Appl. No.: **29/349,057**

(22) Filed: **Mar. 4, 2010**

(51) **LOC (9) Cl.** **03-01**

(52) **U.S. Cl.** **D3/313**

(58) **Field of Classification Search** D3/304,
D3/307-308, 310, 313, 315, 905; 220/500,
220/505, 904; D6/512-514; 206/557-566

See application file for complete search history.

(56) **References Cited**

U.S. PATENT DOCUMENTS

D417,785 S *	12/1999	Daniels	D3/313
D426,921 S *	6/2000	Renfrew	D28/73
D459,078 S *	6/2002	Tondino	D3/313
D479,439 S *	9/2003	Joss et al.	D7/553.4
D484,364 S *	12/2003	Bailey et al.	D7/553.2
D508,634 S *	8/2005	Chambers et al.	D7/553.8
D523,746 S *	6/2006	Snedden et al.	D9/435
D541,531 S *	5/2007	Leao	D3/308

D545,634 S * 7/2007 Phythian D7/637

* cited by examiner

Primary Examiner—Elizabeth A Albert

Assistant Examiner—Kelley A Donnelly

(74) *Attorney, Agent, or Firm*—Goldstein Law Offices P.C.

(57) **CLAIM**

The ornamental design for a bucket lid tool organizer, as shown and described.

DESCRIPTION

FIG. 1 is a perspective view of the bucket lid tool organizer.

FIG. 2 is a right side elevational view of the bucket lid tool organizer.

FIG. 3 is a left side elevational view thereof.

FIG. 4 is a front elevational view thereof.

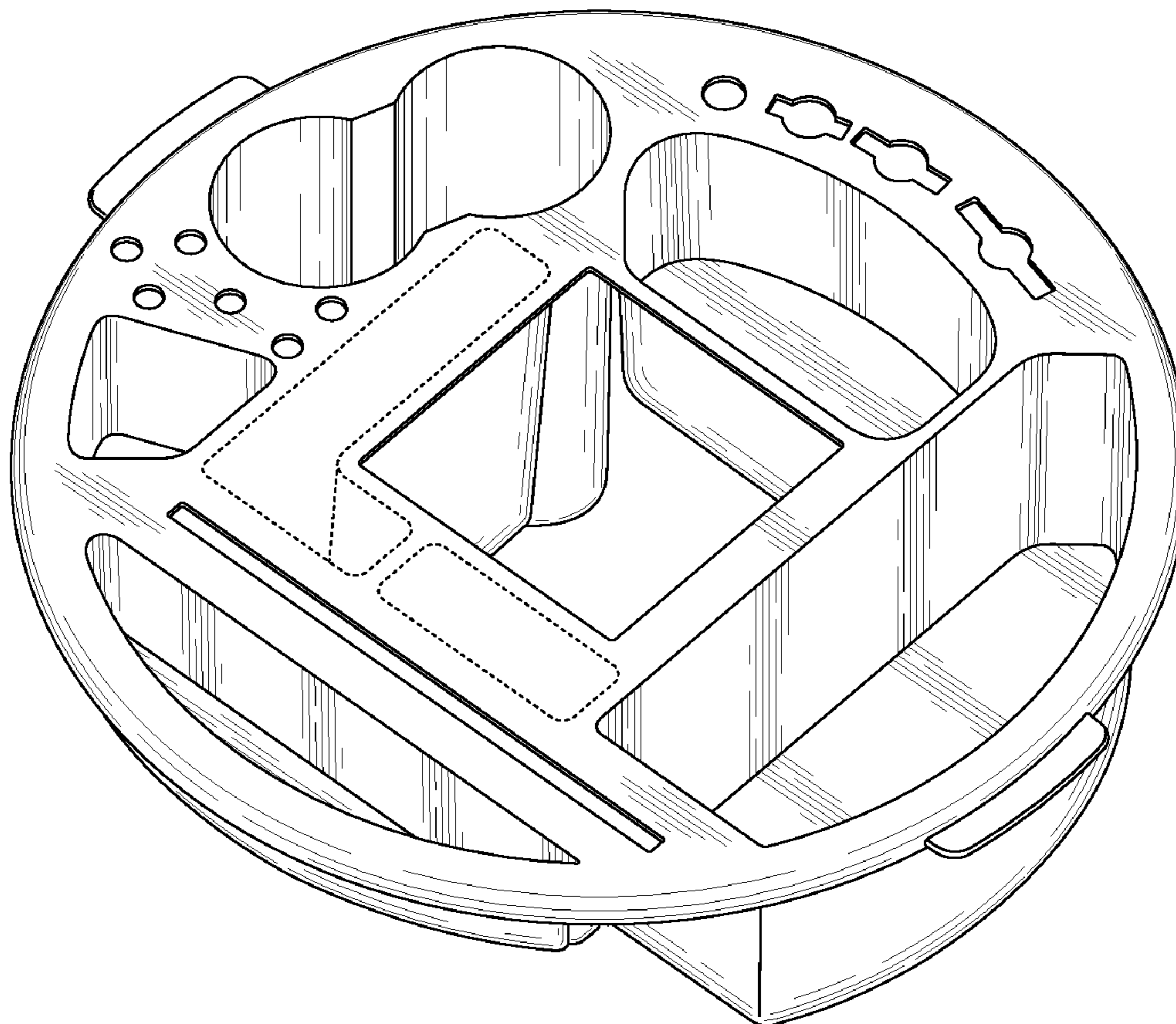
FIG. 5 is a rear elevational view thereof.

FIG. 6 is a top plan view thereof; and,

FIG. 7 is a bottom plan view thereof.

The broken lines are for the purpose of illustrating the environment of the design only and form no part of the claimed design.

1 Claim, 3 Drawing Sheets



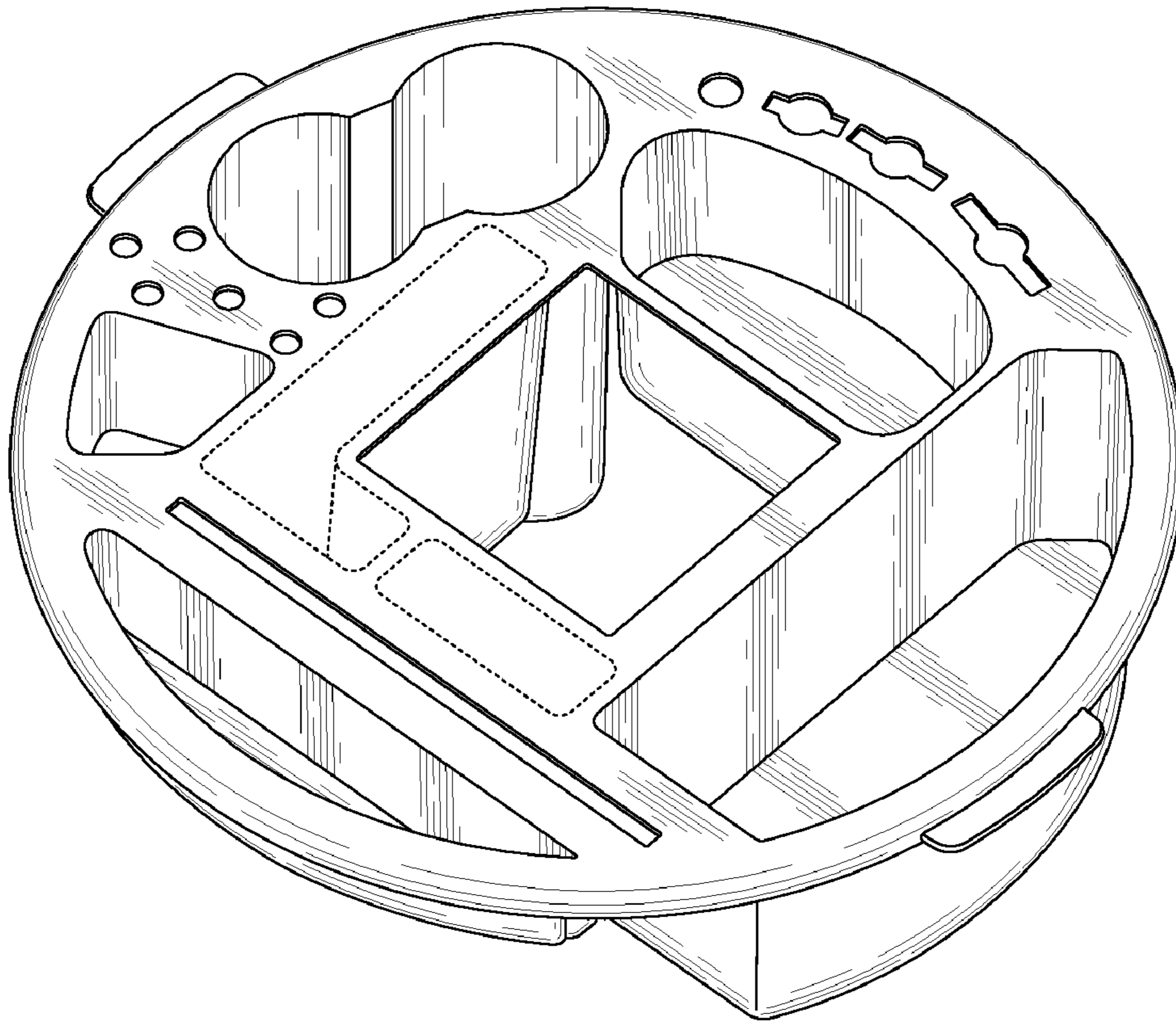


FIG. 1

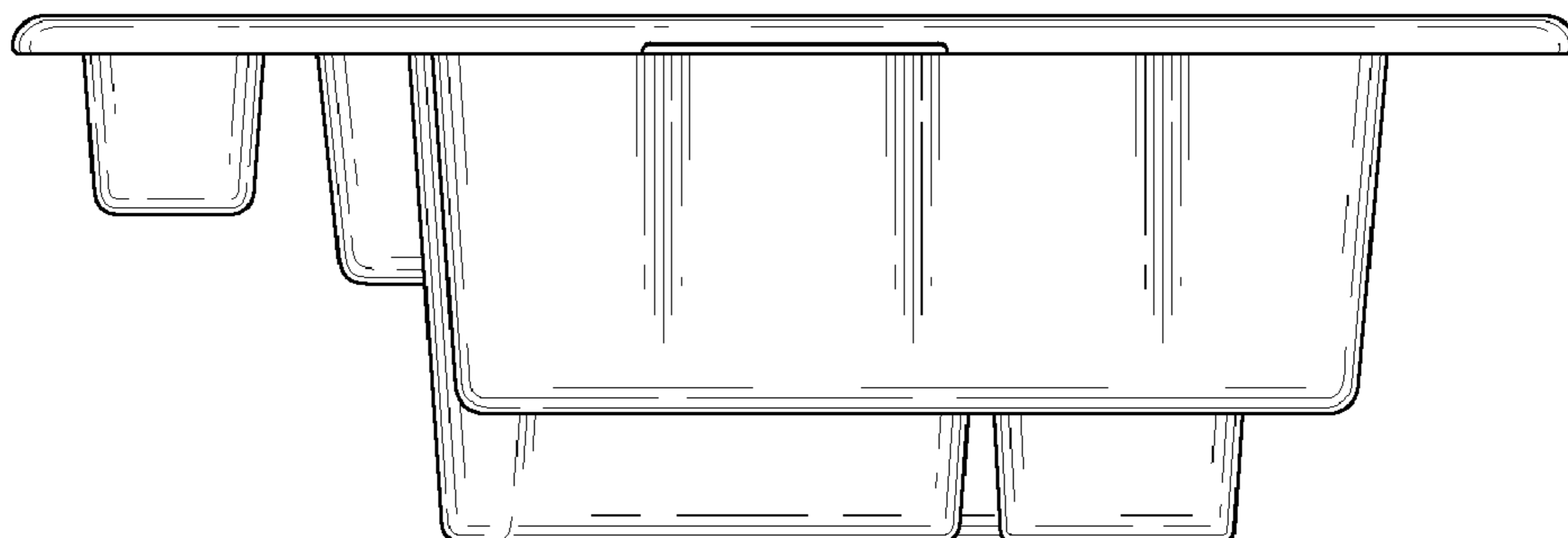


FIG. 2

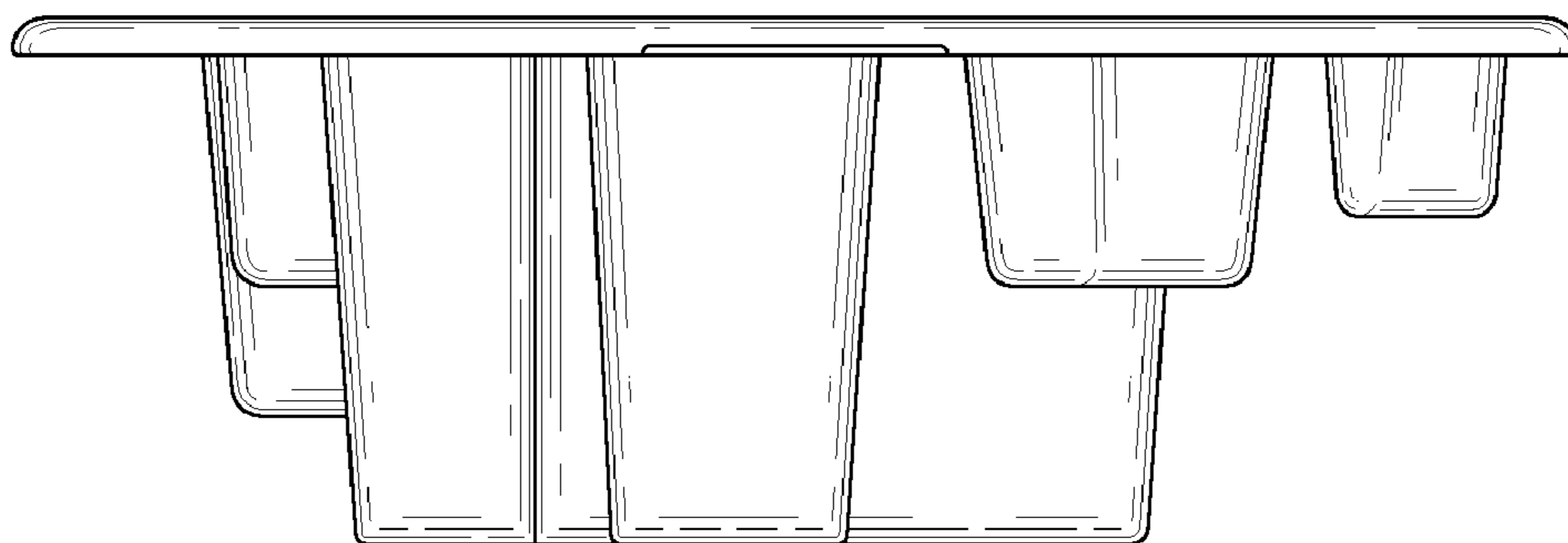


FIG. 3



FIG. 4

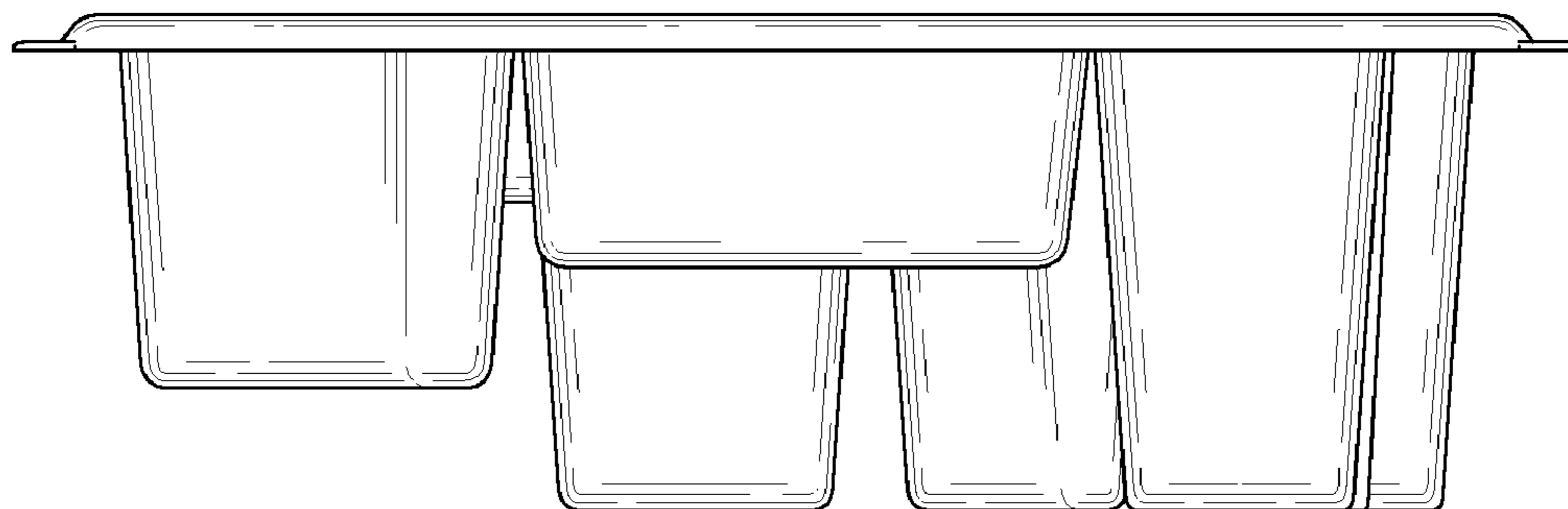


FIG. 5

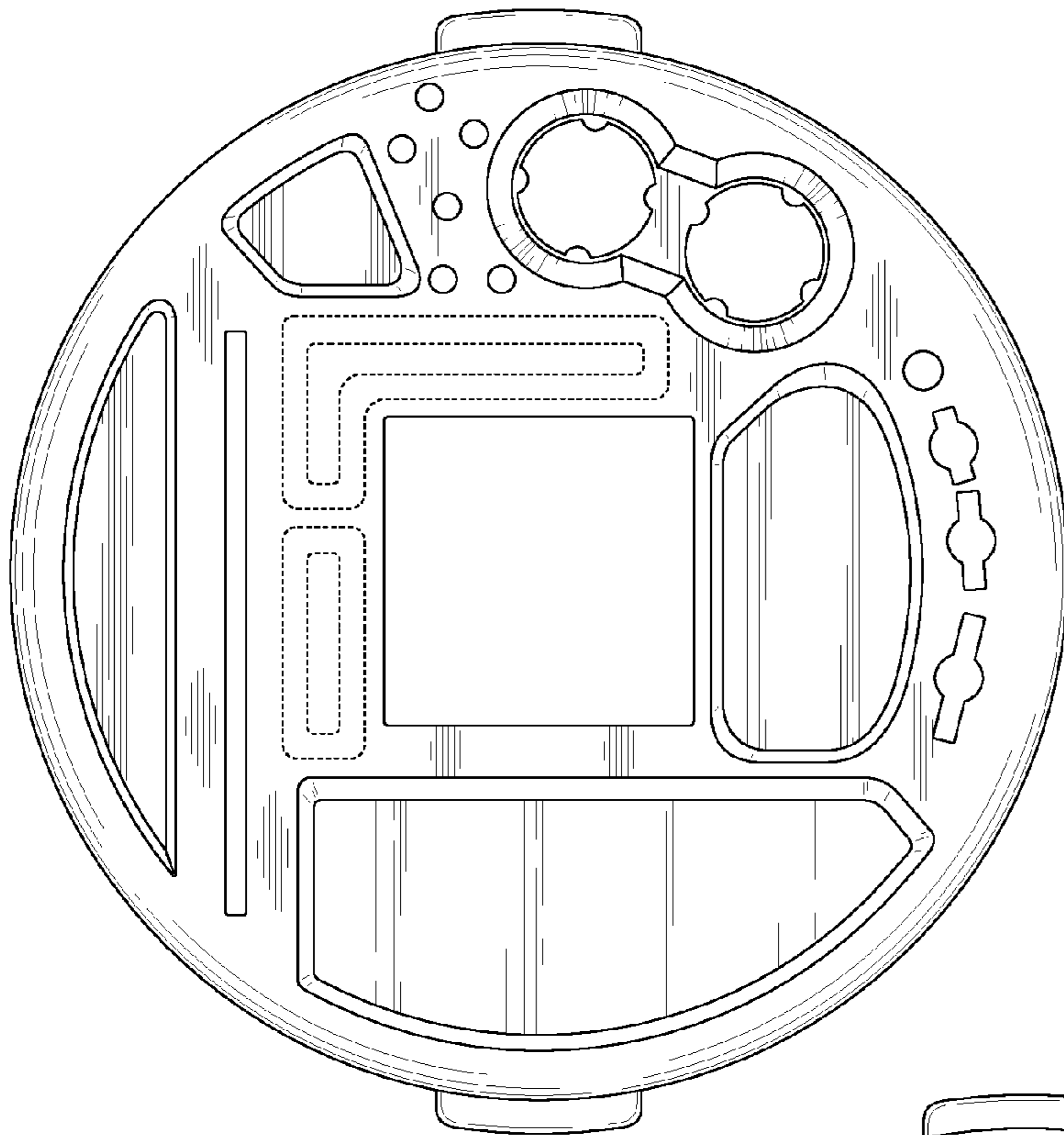


FIG. 6

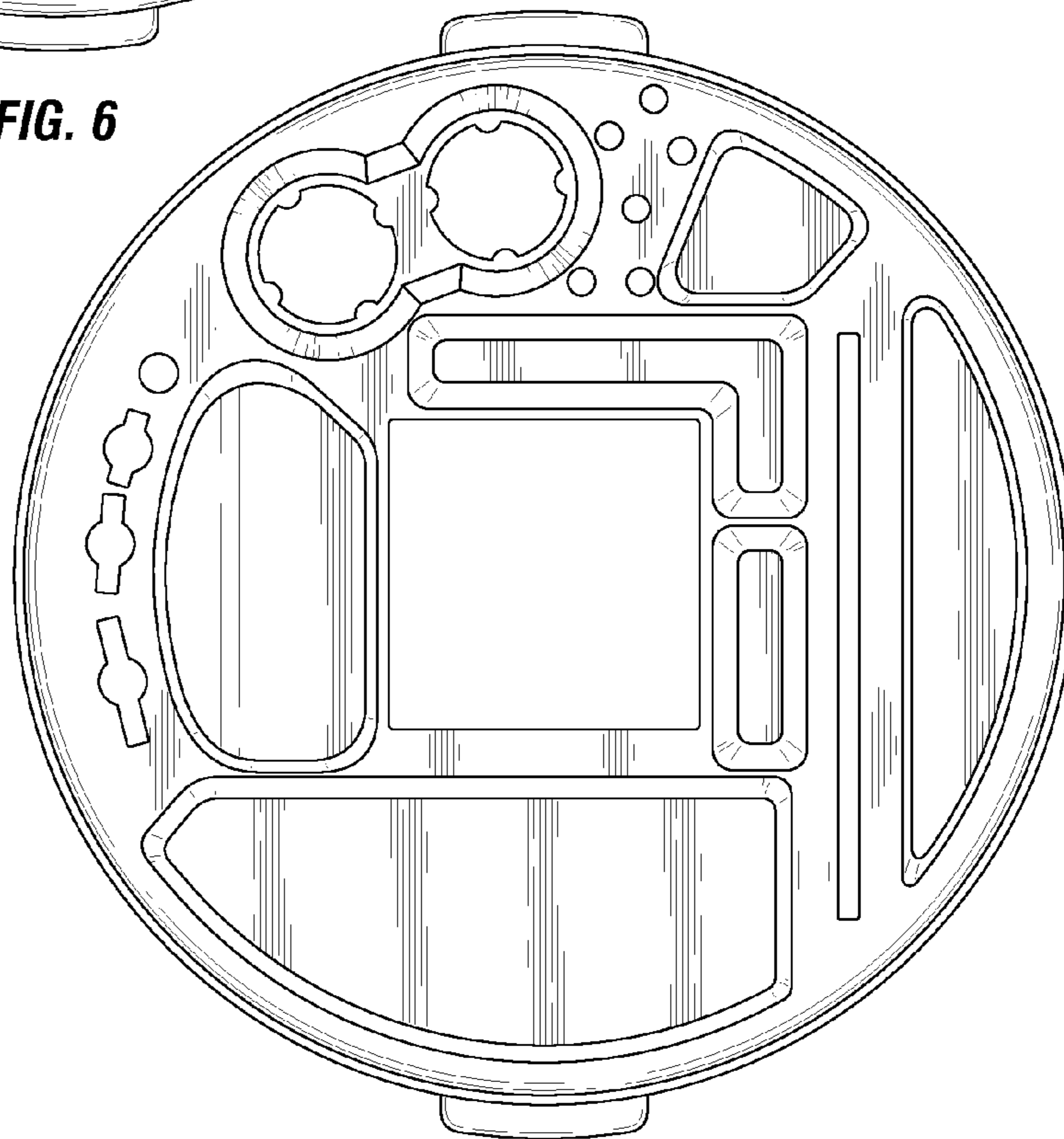


FIG. 7