

US00D628379S

(12) **United States Design Patent**
Guyon et al.

(10) **Patent No.:** **US D628,379 S**

(45) **Date of Patent:** **** Dec. 7, 2010**

(54) **HANDBAG**

(75) Inventors: **Isabelle Guyon**, Paris (FR); **Sophie Delafontaine**, Versailles (FR); **Philippe Cassegrain**, Paris (FR)

(73) Assignee: **S.A.S. Jean Cassegrain**, Paris (FR)

(**) Term: **14 Years**

(21) Appl. No.: **29/357,856**

(22) Filed: **Mar. 18, 2010**

(30) **Foreign Application Priority Data**

Sep. 24, 2009 (EM) 001615501

(51) **LOC (9) Cl.** **03-01**

(52) **U.S. Cl.** **D3/245**

(58) **Field of Classification Search** D3/232-233,
D3/240-246, 318, 324; 150/100, 103-110,
150/113-114, 118-119

See application file for complete search history.

(56) **References Cited**

U.S. PATENT DOCUMENTS

3,108,627	A *	10/1963	Tatelman	150/103
6,447,037	B1 *	9/2002	Crouch	294/149
D471,006	S *	3/2003	French	D3/221
D489,894	S	5/2004	Guyon		
D501,316	S	2/2005	Guyon		
D501,317	S	2/2005	Guyon		
D501,599	S	2/2005	Guyon		
D501,717	S	2/2005	Guyon		

D509,065	S *	9/2005	Koenig	D3/327
D530,083	S	10/2006	Guyon		
D530,511	S	10/2006	Guyon		
D530,910	S	10/2006	Guyon		
D533,345	S	12/2006	Guyon		
D534,350	S	1/2007	Guyon		
D570,107	S	6/2008	Guyon et al.		

OTHER PUBLICATIONS

“Collection Automne”, Longchamp, Paris, 2010.

“Collection Printemps”, Longchamp, Paris, 2010.

* cited by examiner

Primary Examiner—Holly H Baynham

(74) *Attorney, Agent, or Firm*—Gottlieb, Rackman & Reisman, P.C.

(57) **CLAIM**

The ornamental design for a handbag, as shown and described.

DESCRIPTION

FIG. 1 is a top plan view of our new design;

FIG. 2 is a front elevation view thereof;

FIG. 3 is a right side elevation view thereof;

FIG. 4 is a left side elevation view thereof;

FIG. 5 is a bottom plan view thereof; and,

FIG. 6 is a rear elevation view thereof.

The broken lines representing stitching are part of the claimed design.

1 Claim, 3 Drawing Sheets

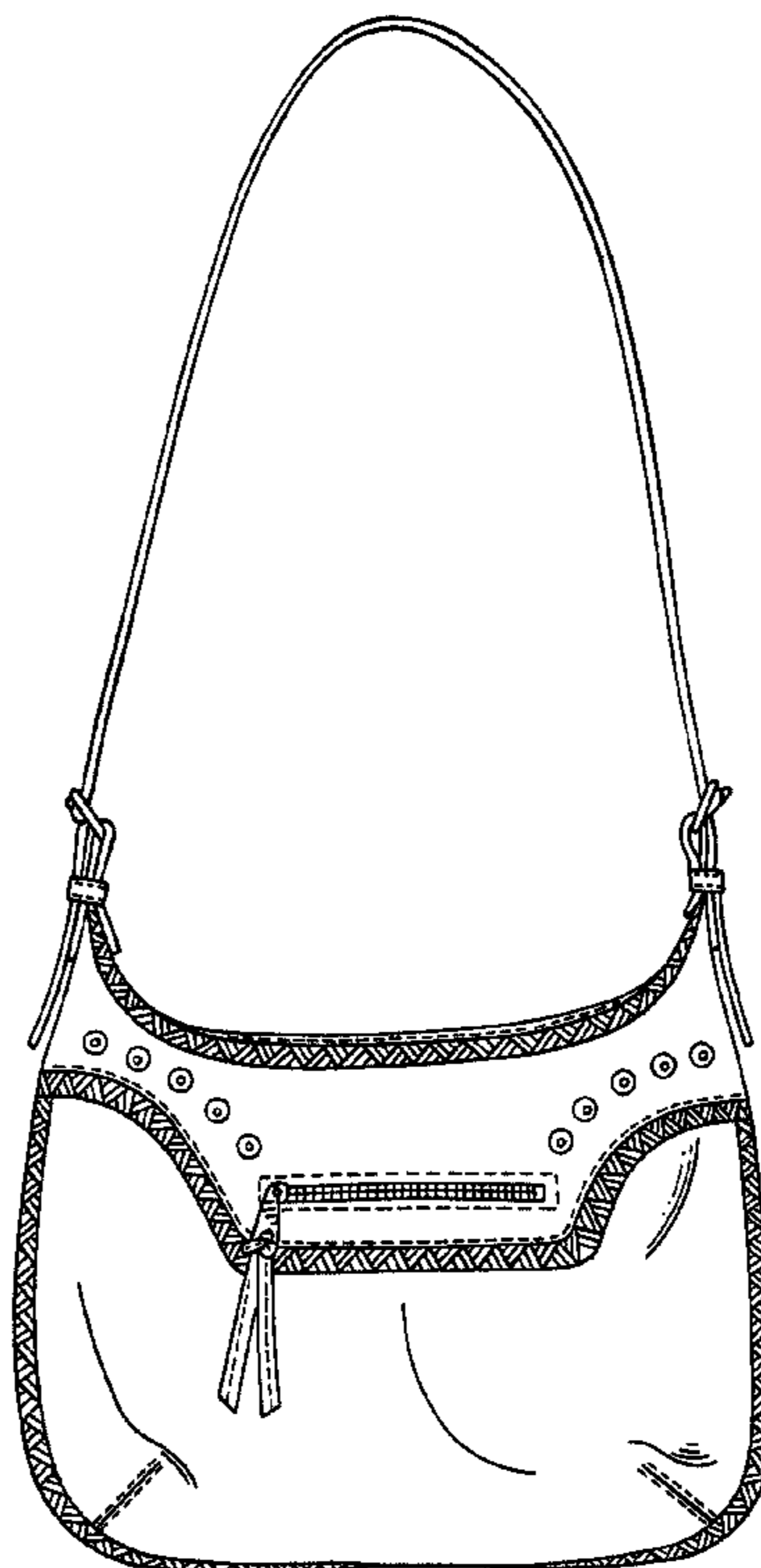


FIG. 1

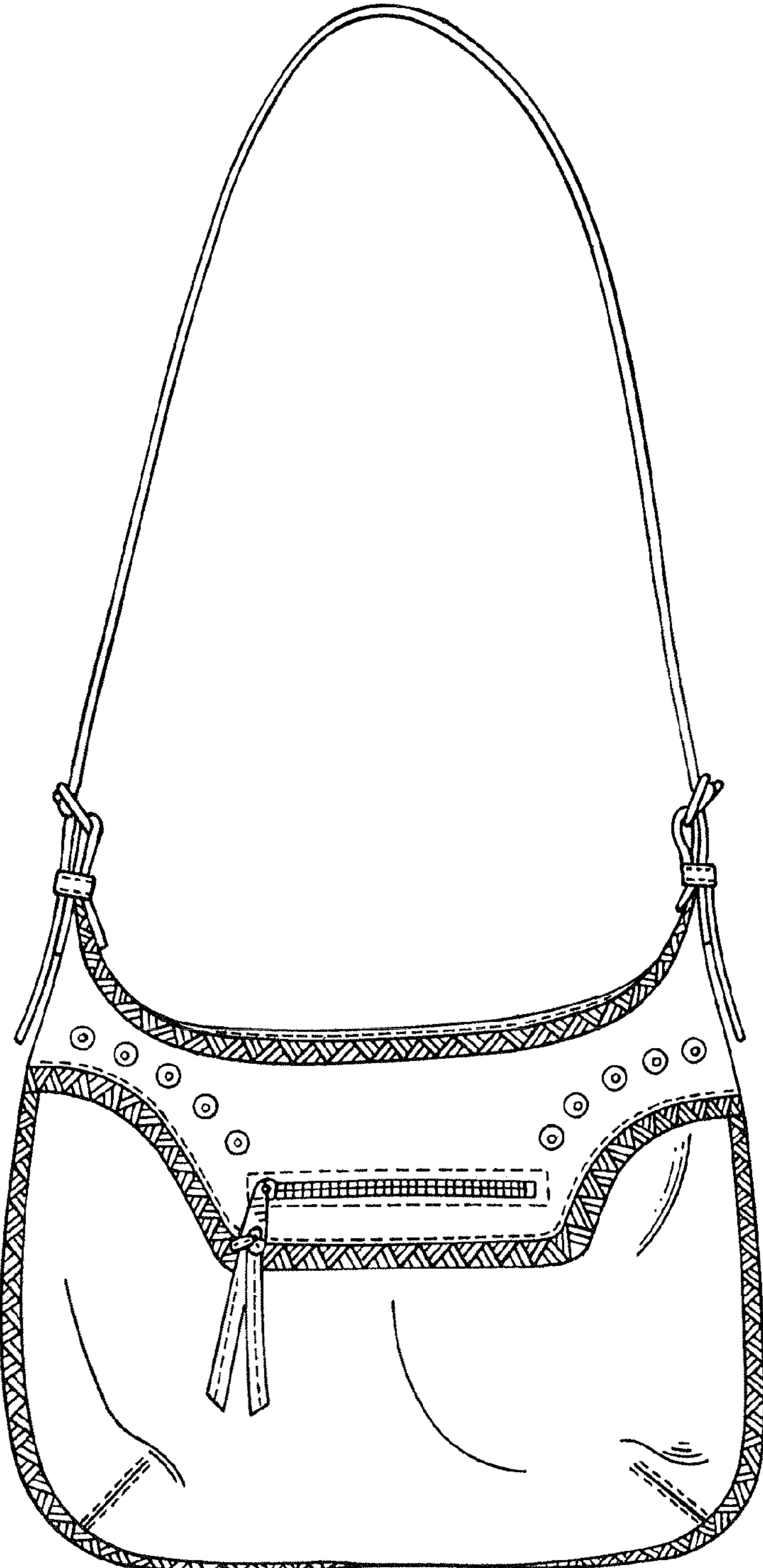
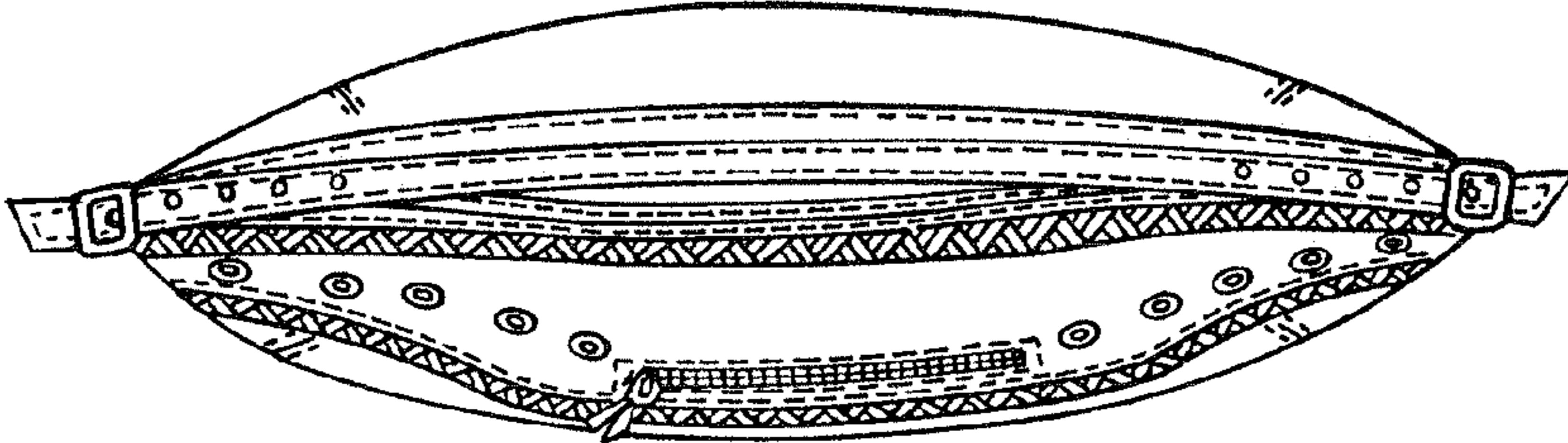


FIG. 2

FIG. 3

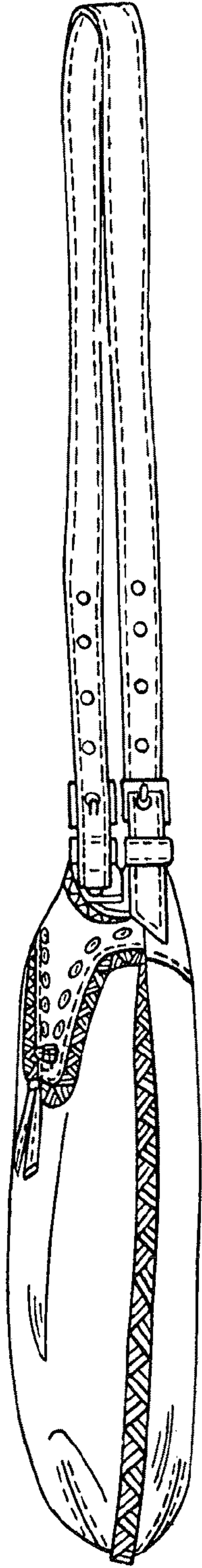


FIG. 4

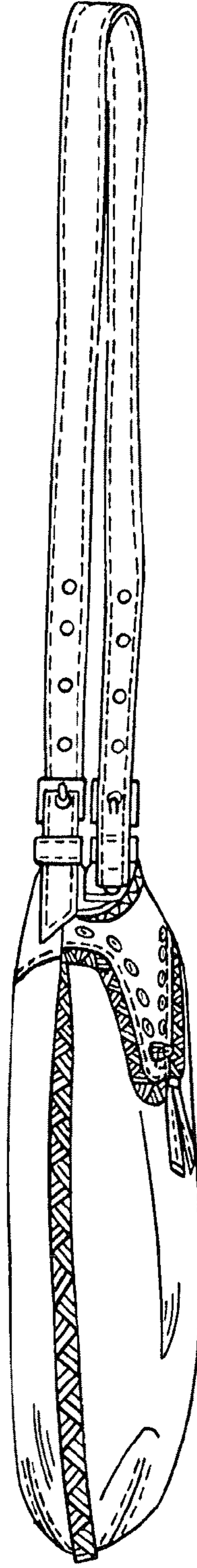


FIG. 5

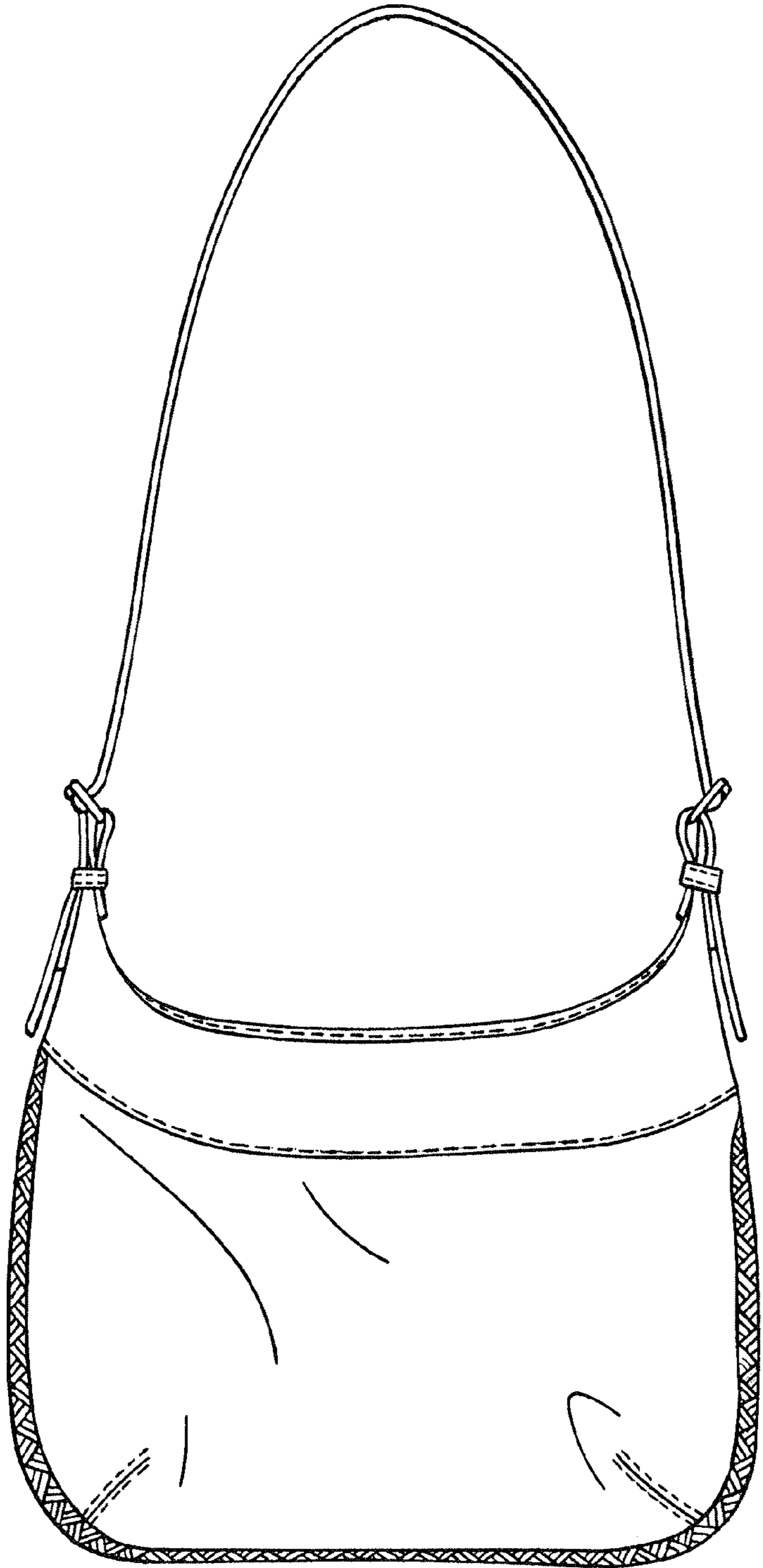
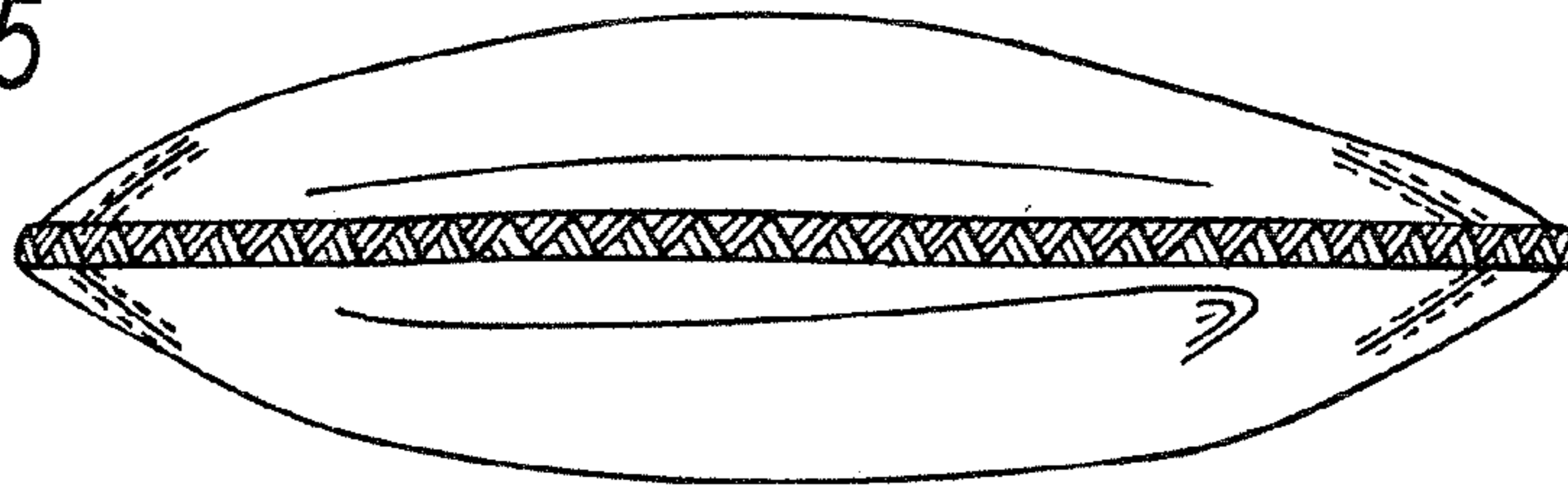


FIG. 6