



US00D628376S

(12) **United States Design Patent**
Fink et al.

(10) **Patent No.:** **US D628,376 S**
(45) **Date of Patent:** **** Dec. 7, 2010**

(54) **ARMBAND TACKLE BOX**

(76) Inventors: **Jeffrey Michael Fink**, 3967 Grand Ave.,
Allison Park, PA (US) 15101;
Kimberley Jean Fink, 3967 Grand Ave.,
Allison Park, PA (US) 15101

(**) Term: **14 Years**

(21) Appl. No.: **29/358,759**

(22) Filed: **Mar. 31, 2010**

(51) **LOC (9) Cl.** **03-01**

(52) **U.S. Cl.** **D3/221**

(58) **Field of Classification Search** D3/221,
D3/215, 299, 260, 905, 224, 226; 224/922,
224/920, 901.4, 637-638, 605, 649, 251;
206/315.11; 43/26, 54.1, 21.2

See application file for complete search history.

(56) **References Cited**

U.S. PATENT DOCUMENTS

3,317,097	A *	5/1967	Giordano	206/315.11
D263,519	S *	3/1982	Ader	D3/260
D276,476	S *	11/1984	Johansson et al.	D3/299
5,327,669	A *	7/1994	Lannan et al.	43/26
5,488,799	A *	2/1996	Hauschild	43/26
6,036,067	A *	3/2000	Alcorn	224/922
6,923,357	B2 *	8/2005	Smith	224/922

* cited by examiner

Primary Examiner—Catherine R Oliver

(74) *Attorney, Agent, or Firm*—Ming Chow; Sinorica, LLC

(57) **CLAIM**

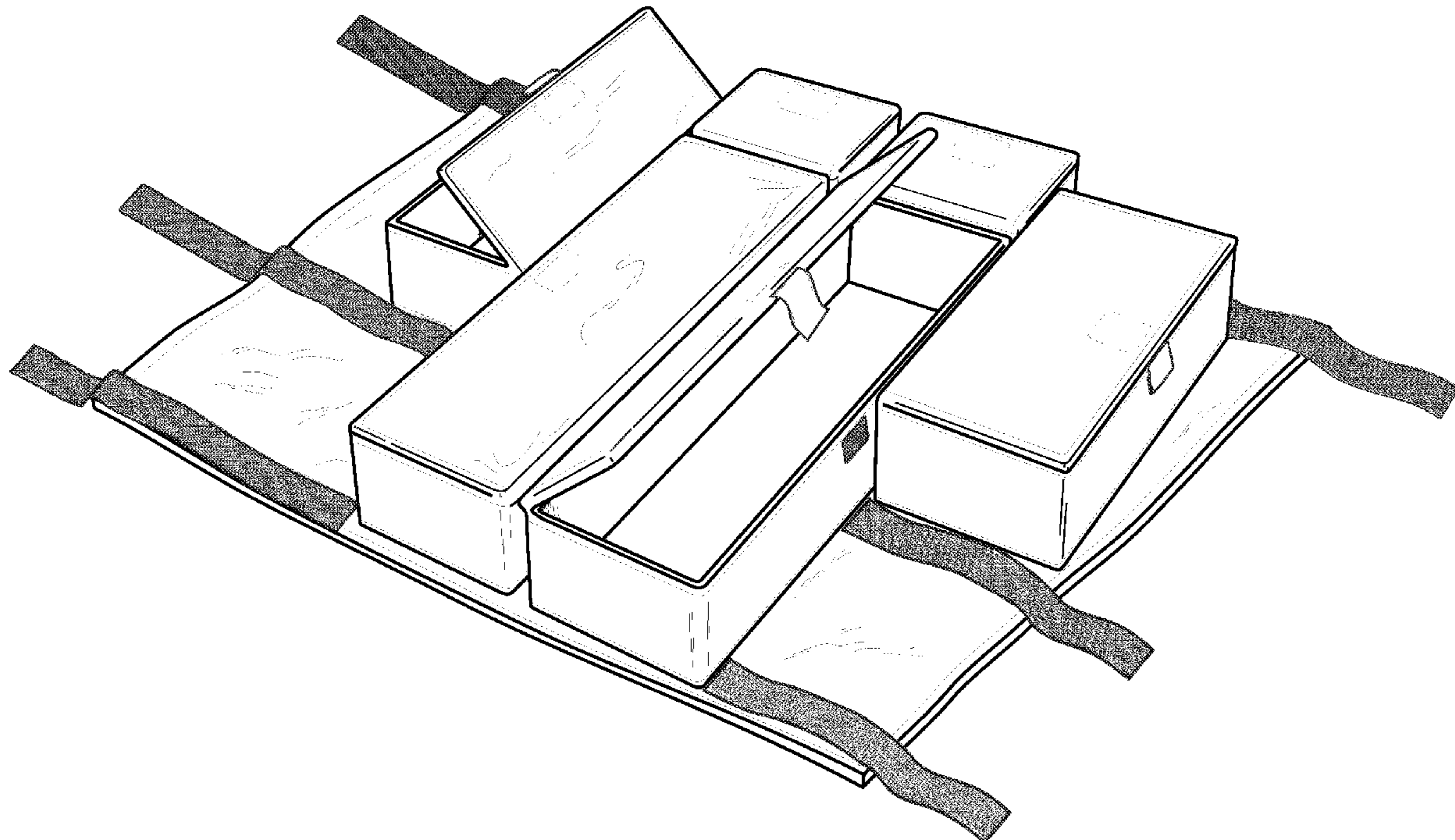
The ornamental design for an armband tackle box, as shown and described.

DESCRIPTION

FIG. 1 is a perspective view of an armband tackle box;
 FIG. 2 is a perspective view of an armband tackle box in a wrapped position;
 FIG. 3 is a top plan view of an armband tackle box;
 FIG. 4 is a bottom plan view of an armband tackle box;
 FIG. 5 is a front elevational view of an armband tackle box;
 FIG. 6 is a rear elevational view of an armband tackle box;
 FIG. 7 is a right-side elevational view of an armband tackle box; and,
 FIG. 8 is a left-side elevational view of an armband tackle box.

The broken line showing of environment in the drawings is for illustrative purposes only and forms no part of the claimed design.

1 Claim, 6 Drawing Sheets



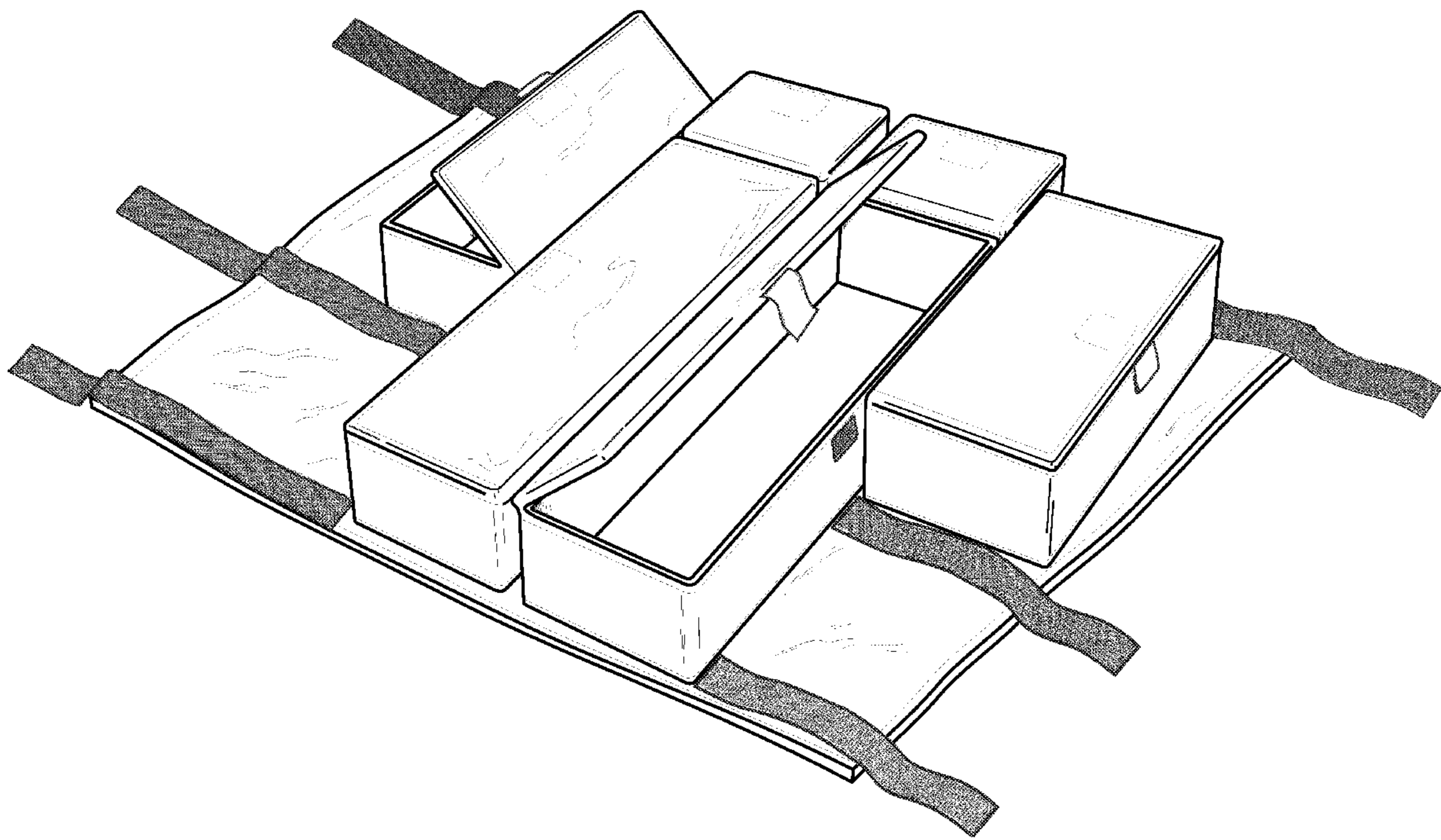


FIG. 1

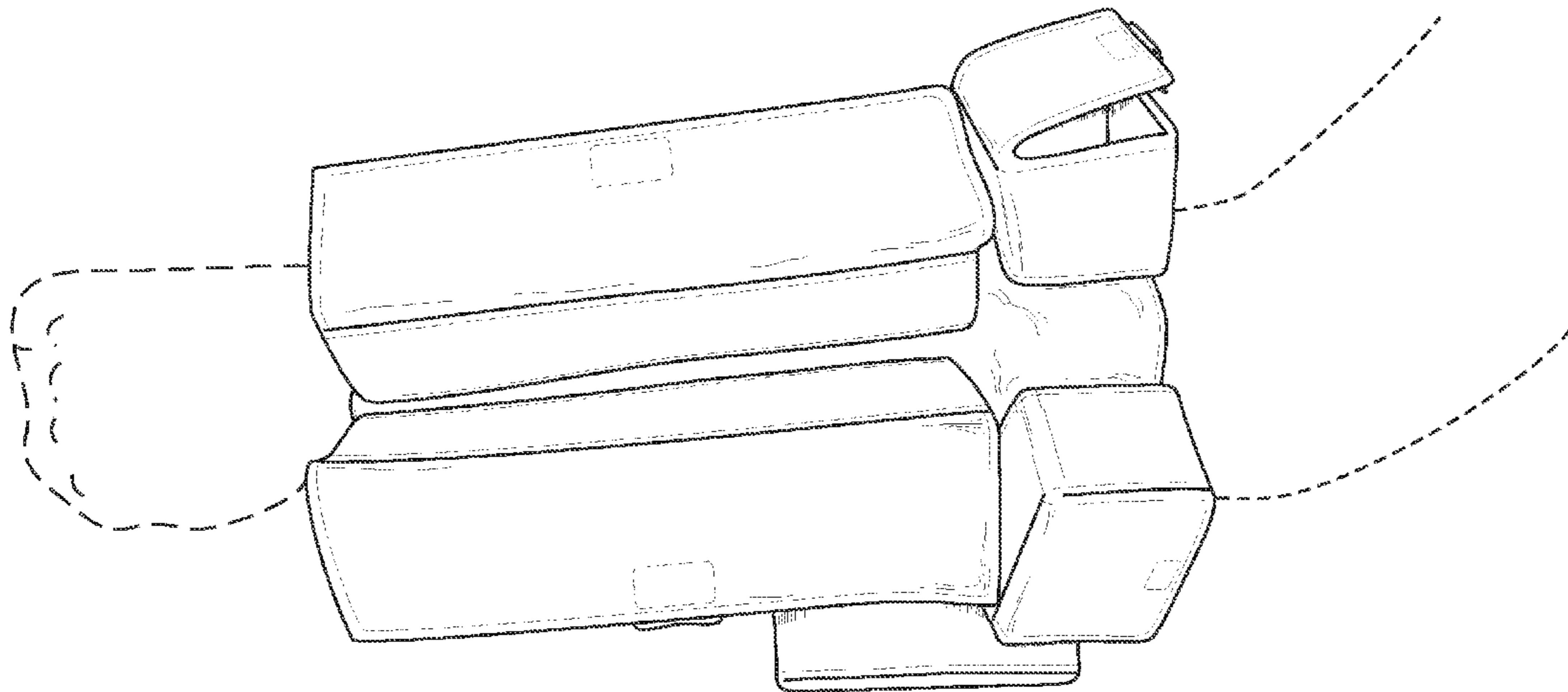


FIG. 2

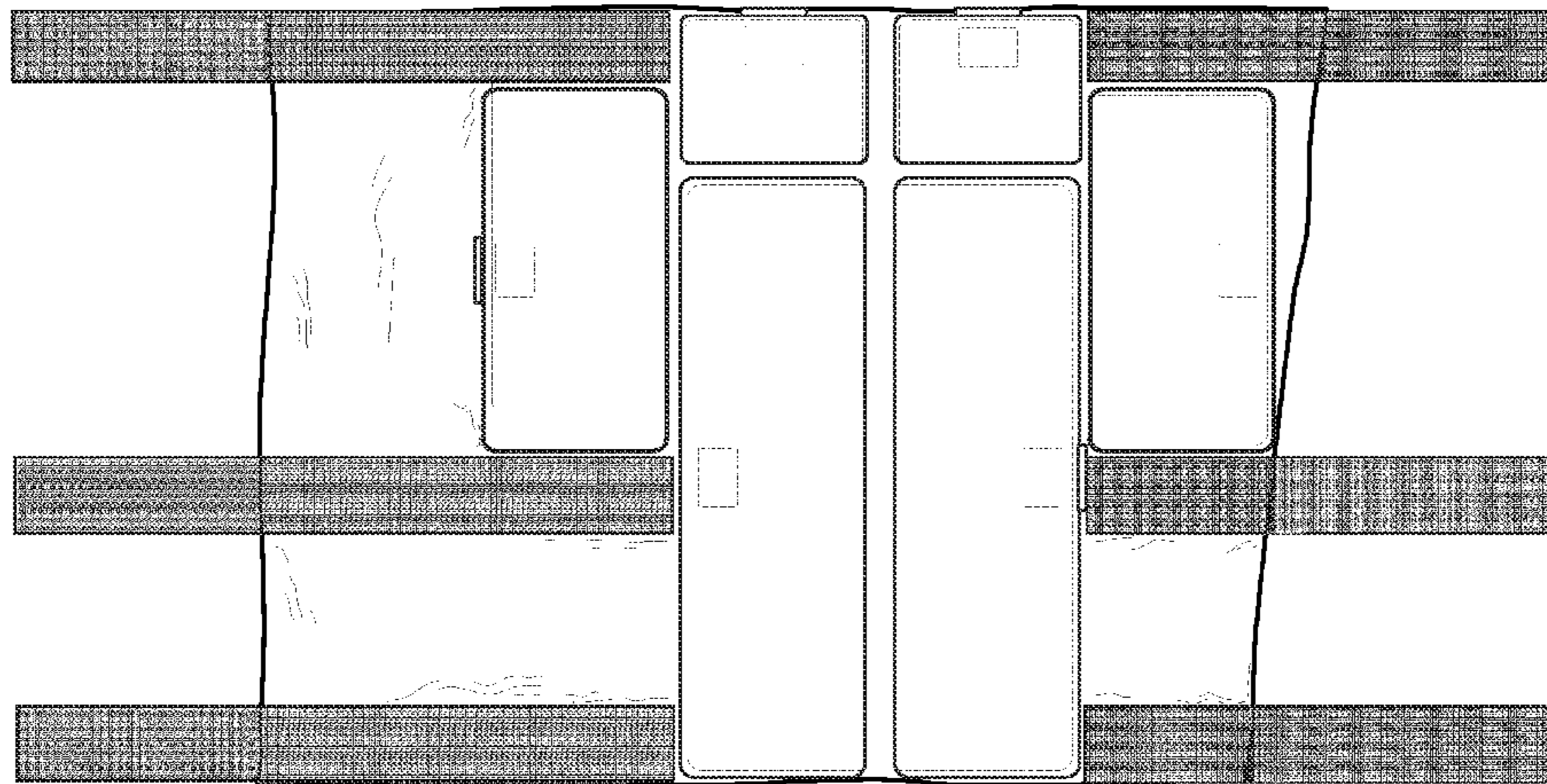


FIG. 3

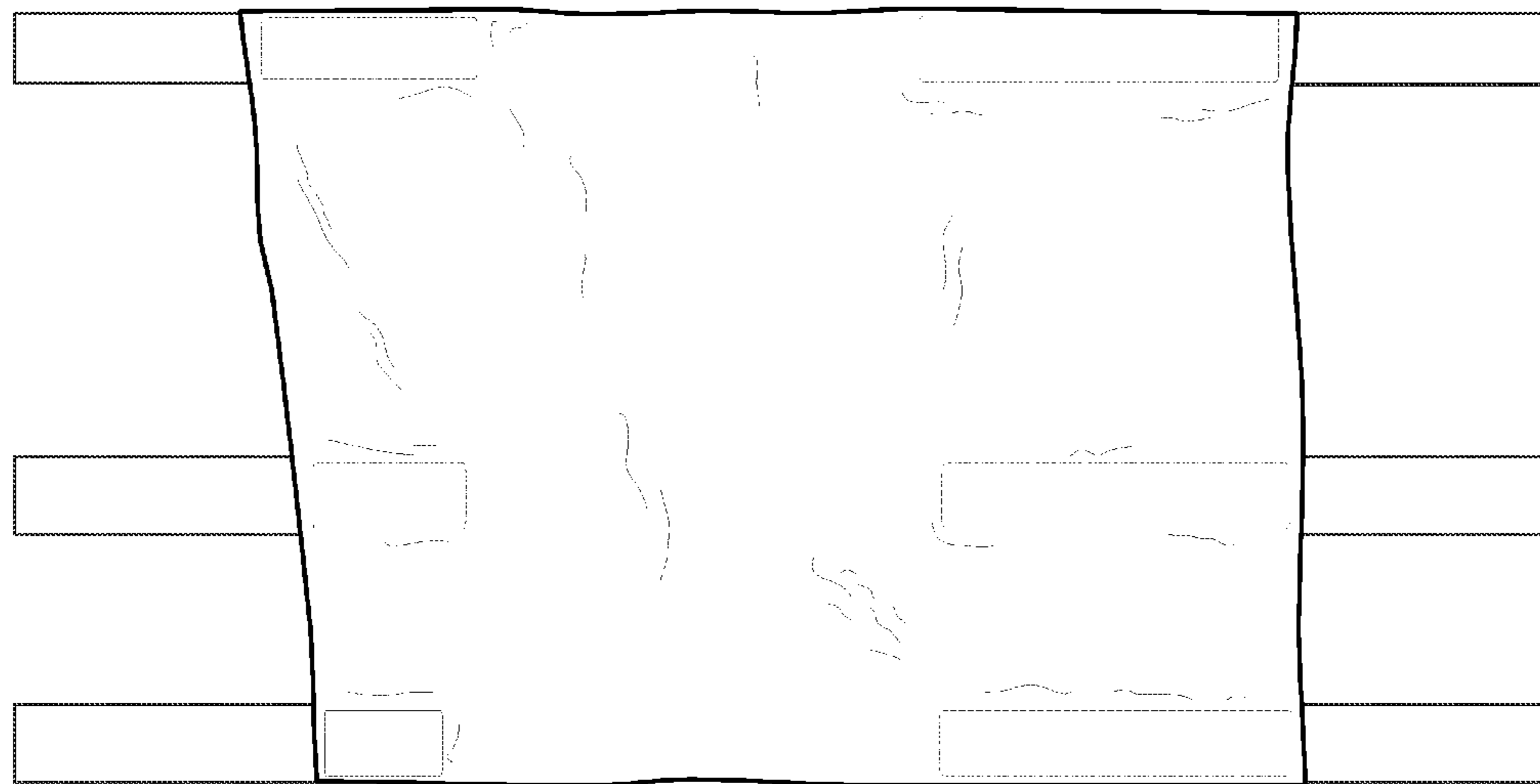


FIG. 4

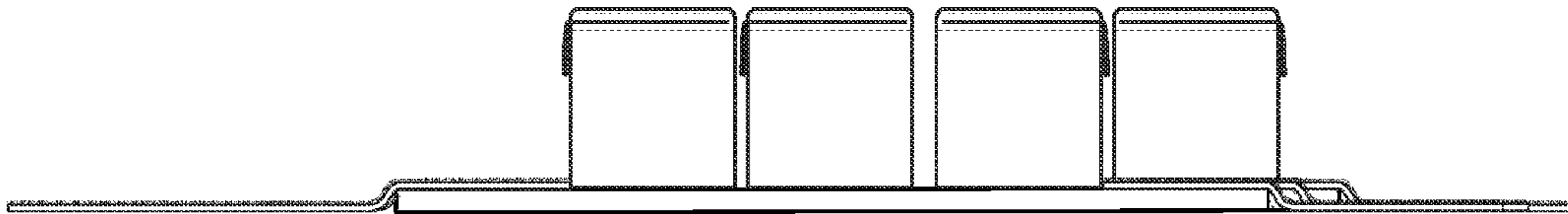


FIG. 5

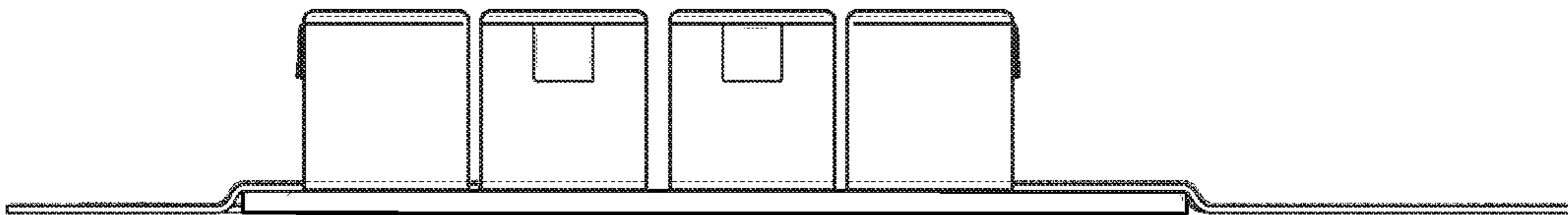


FIG. 6

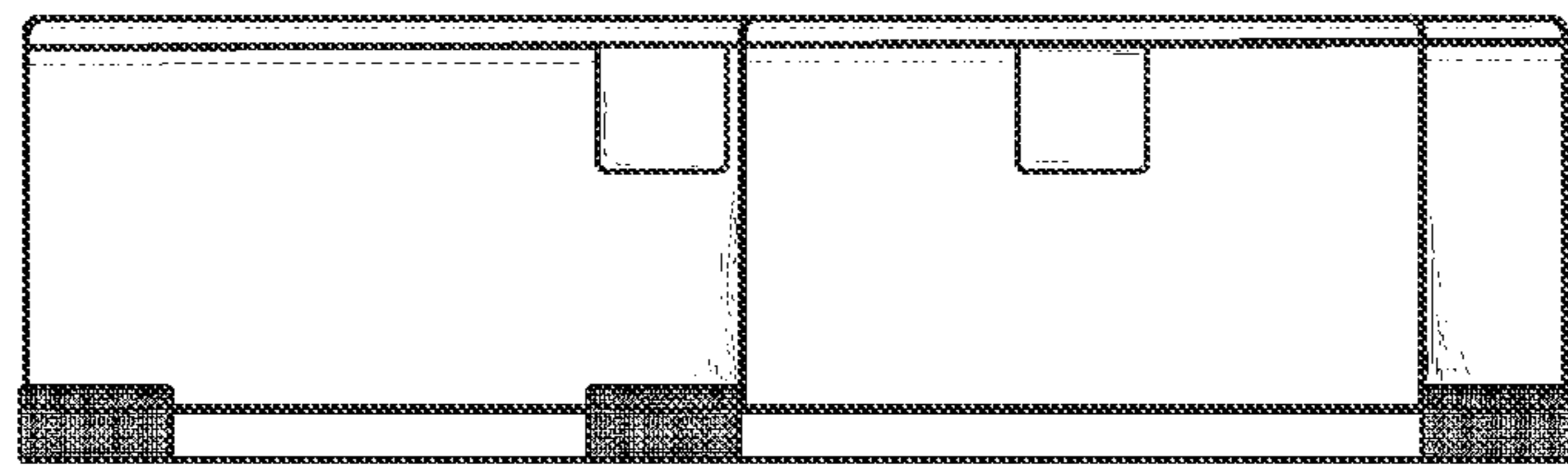


FIG. 7

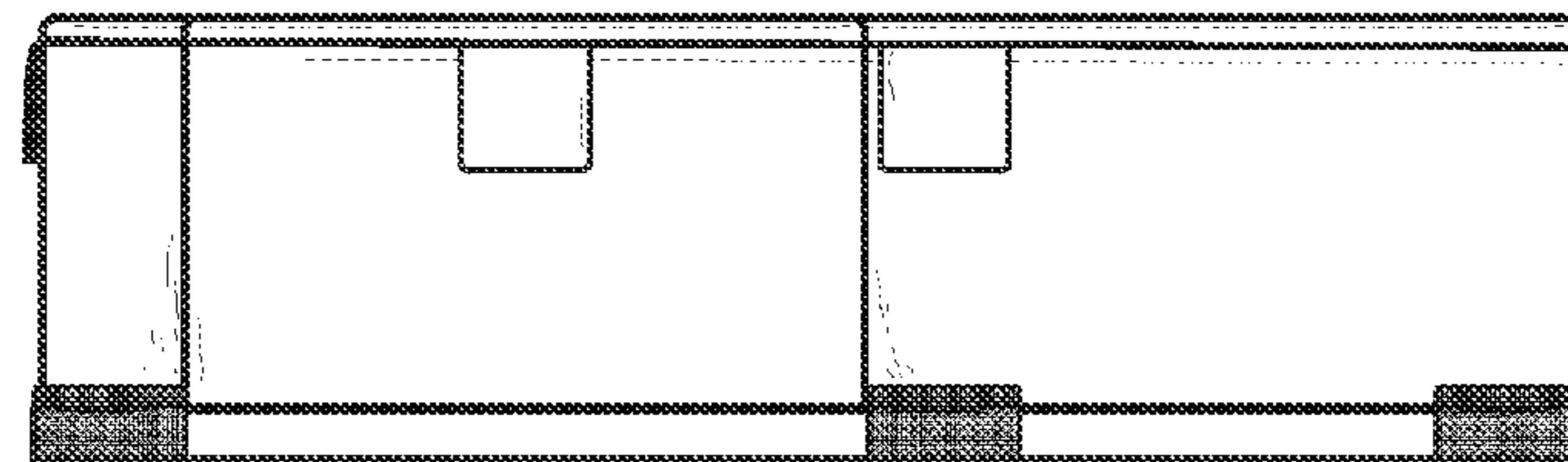


FIG. 8