



US00D628375S

(12) **United States Design Patent**  
**Andre et al.**

(10) **Patent No.:** **US D628,375 S**  
(45) **Date of Patent:** **\*\* Dec. 7, 2010**

(54) **ELECTRONIC DEVICE HOLDER**

(75) Inventors: **Bartley K. Andre**, Menlo Park, CA (US); **Daniel J. Coster**, San Francisco, CA (US); **Daniele De Iuliis**, San Francisco, CA (US); **Richard P. Howarth**, San Francisco, CA (US); **Jonathan P. Ive**, San Francisco, CA (US); **Duncan Robert Kerr**, San Francisco, CA (US); **Shin Nishibori**, Portola Valley, CA (US); **Matthew Dean Rohrbach**, San Francisco, CA (US); **Peter Russell-Clarke**, San Francisco, CA (US); **Douglas B. Satzger**, Menlo Park, CA (US); **Christopher J. Stringer**, Woodside, CA (US); **Eugene Antony Whang**, San Francisco, CA (US); **Rico Zorkendorfer**, San Francisco, CA (US)

(73) Assignee: **Apple Inc.**, Cupertino, CA (US)

(\*\*) Term: **14 Years**

(21) Appl. No.: **29/324,134**

(22) Filed: **Sep. 5, 2008**

(51) **LOC (9) Cl.** ..... **03-01**

(52) **U.S. Cl.** ..... **D3/218**

(58) **Field of Classification Search** ..... D3/218,  
D3/215, 219, 224, 226; 224/219, 222, 269,  
224/250, 666, 674, 930, 206, 600-605, 267,  
224/231, 246, 240, 236, 901, 904; 206/305,  
206/320; D14/138, 250, 253, 447; 379/455;  
455/90, 100

See application file for complete search history.

(56) **References Cited**

**U.S. PATENT DOCUMENTS**

5,511,702 A 4/1996 Yang  
D370,120 S 5/1996 Teraoka

(Continued)

**OTHER PUBLICATIONS**

“Electronic Device Holder”, U.S. Appl. No. 29/284,344, filed Sep. 5, 2007, Andre et al.

(Continued)

*Primary Examiner*—Catherine R Oliver  
(74) *Attorney, Agent, or Firm*—Sterne, Kessler, Goldstein & Fox PLLC

(57) **CLAIM**

The ornamental design for an electronic device holder, as shown and described.

**DESCRIPTION**

FIG. 1 is a front perspective view of an electronic device holder showing our new design;

FIG. 2 is a front view thereof;

FIG. 3 is a rear view thereof;

FIG. 4 is a top view thereof;

FIG. 5 is a bottom view thereof;

FIG. 6 is a side view thereof;

FIG. 7 is another side view thereof;

FIG. 8 is another front view thereof showing the electronic device holder in an environment in which it may be used, with an electronic device (shown in phantom) being inserted into the electronic device holder;

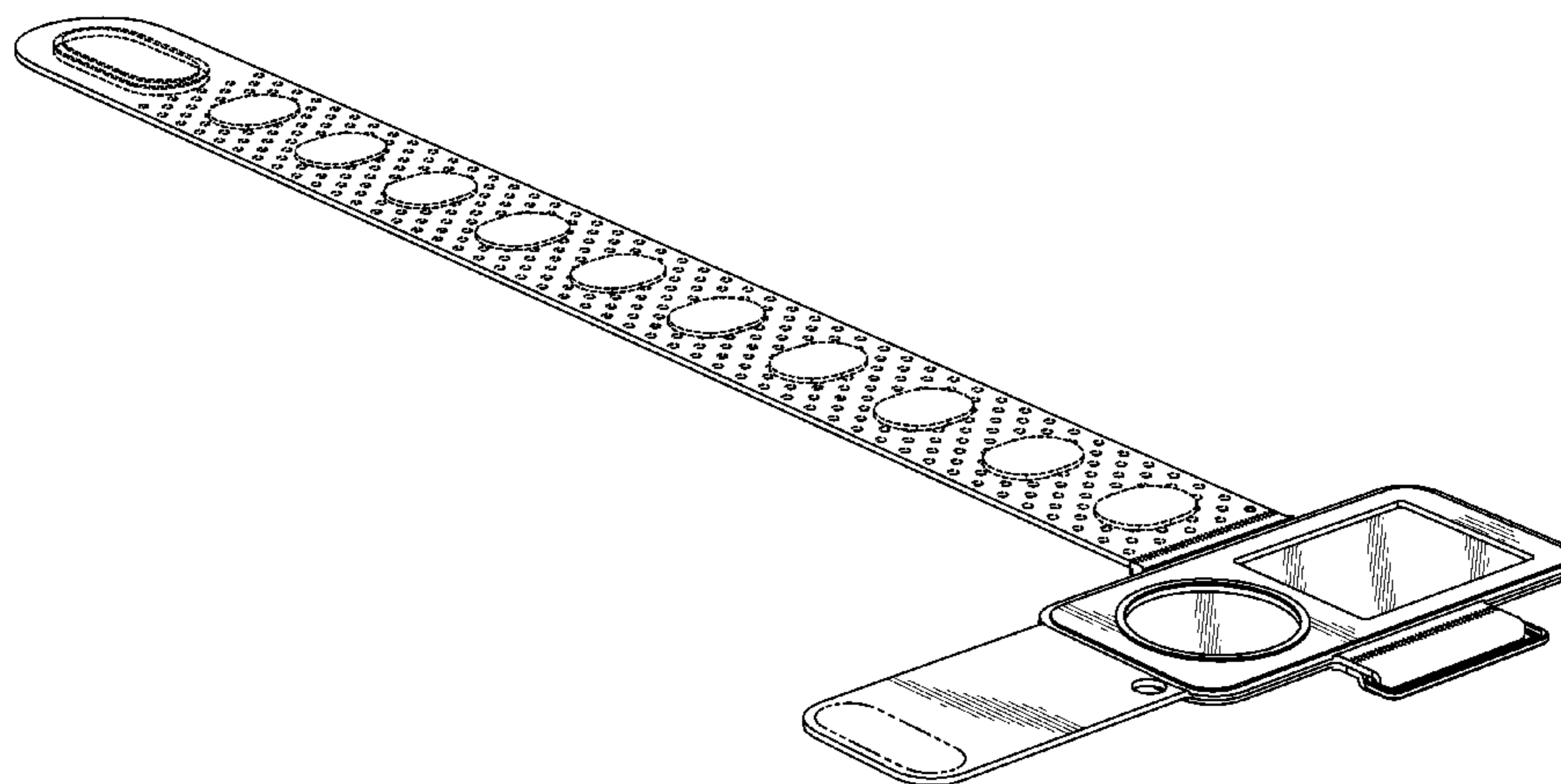
FIG. 9 is another front view thereof with the electronic device inserted therein; and,

FIG. 10 is another front view of the electronic device holder of the present invention in an environment in which it may be used, showing the holder disposed on the arm (in phantom) of a user.

The strap is shown broken away for convenience of illustration.

The broken lines in the Figures are for illustrative purposes only and form no part of the claimed design.

**1 Claim, 7 Drawing Sheets**



U.S. PATENT DOCUMENTS

6,321,957 B1 11/2001 Rossi  
D474,594 S 5/2003 Casparian  
D503,038 S 3/2005 Tabata  
D526,479 S \* 8/2006 Brandenburg ..... D3/218  
D526,777 S 8/2006 Andre et al.  
D541,042 S 4/2007 Andre et al.  
D542,524 S \* 5/2007 Richardson et al. .... D3/218  
D553,852 S \* 10/2007 Brandenburg ..... D3/218  
D570,101 S \* 6/2008 Harris et al. .... D3/218  
2006/0076375 A1 4/2006 Bhakta

OTHER PUBLICATIONS

“Incase Sports Armband for iPod nano (4<sup>th</sup> Gen.) (Black)”, <http://store.apple.com/us/product/TU1972M/A?fnode=MTY1NDA3NQ&mco=MzE5MDU5Nw>, 4 pages.  
“Niketown.com—Nike Men’s All Equipment—Nike+Armband v5”, <http://niketown.nike.com/niketown/catalog/pdp.jsp?productId=217614&categoryId=53520&catalogId=1#>, 2 pages.  
“Belkin Sport Armband Plus with FastFit for iPod nano (45<sup>th</sup> Gen.)”, <http://store.apple.com/us/product/TU150LL/A?fnode=MTY1NDA3NQ&mco=MjMzODg4NQ>, 4 pages.

\* cited by examiner

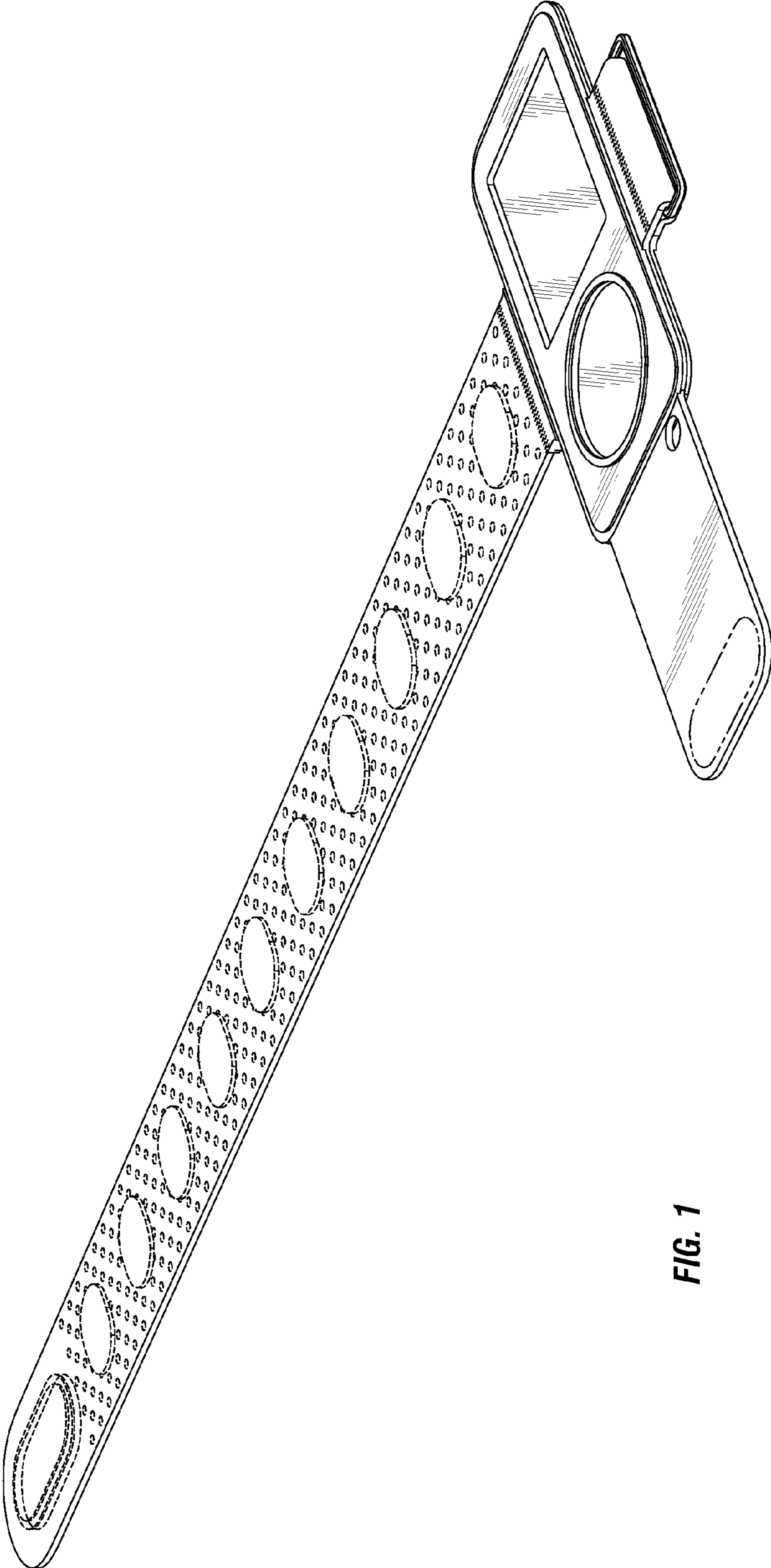
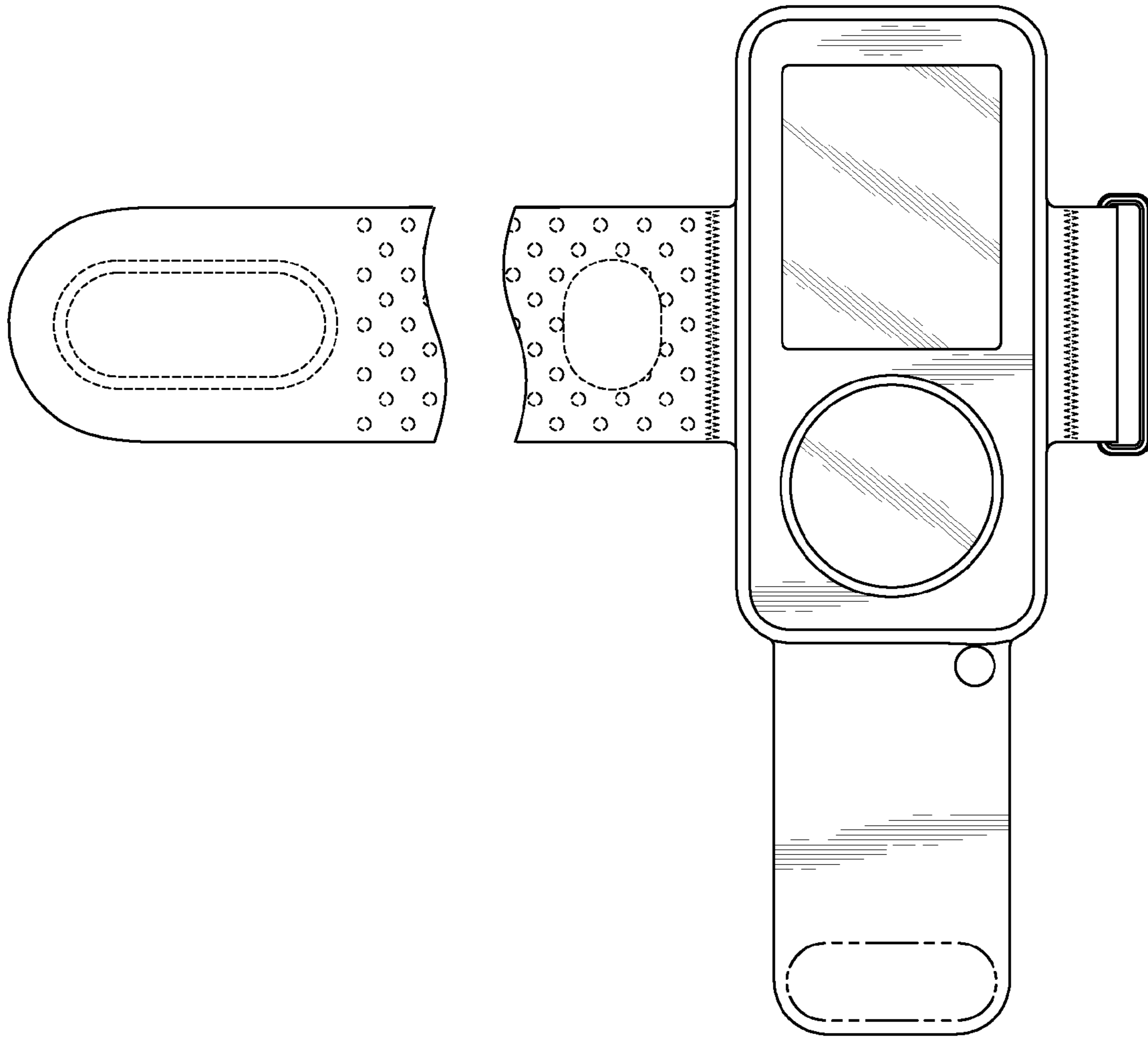


FIG. 1



**FIG. 2**

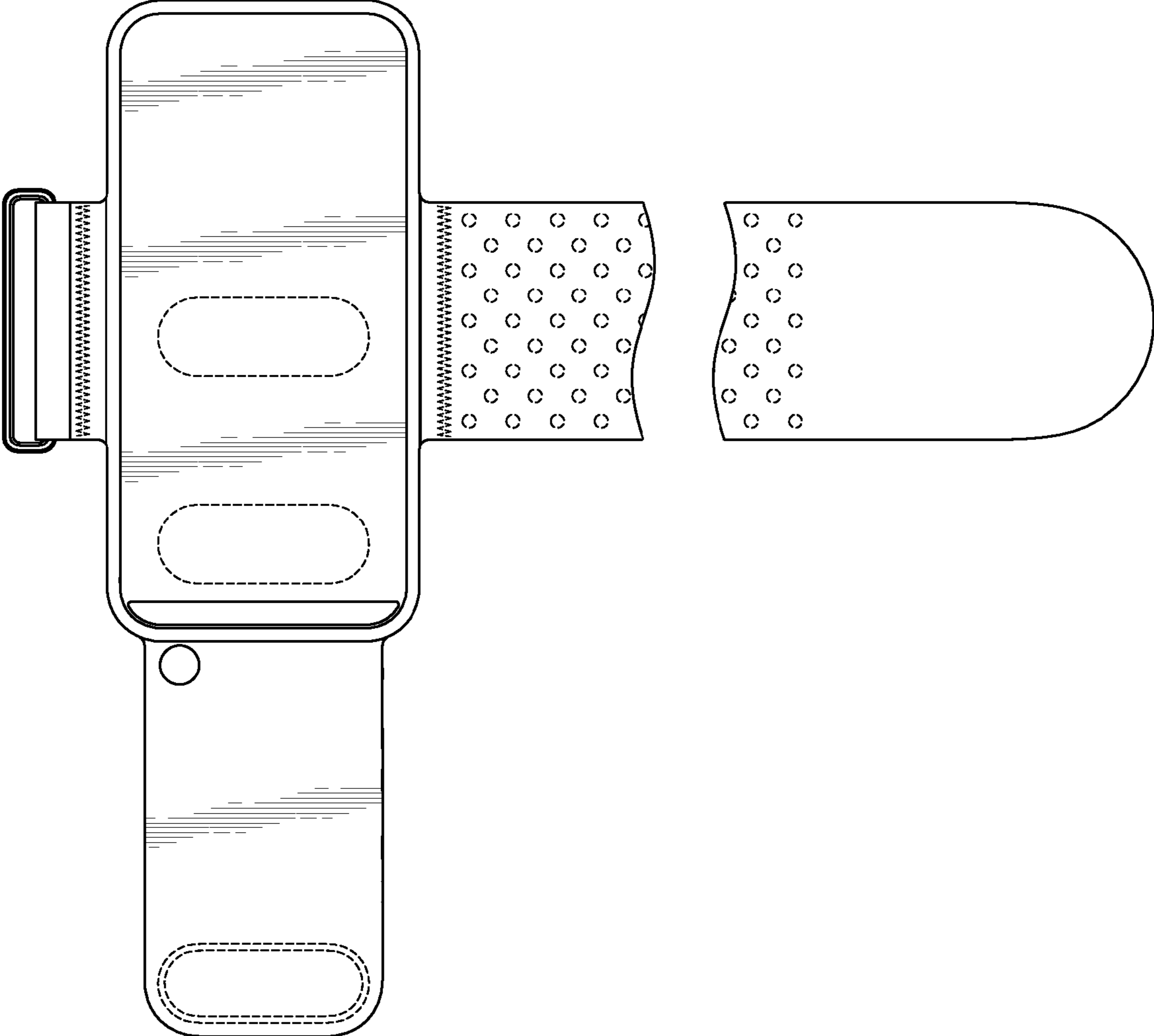


FIG. 3



**FIG. 4**



**FIG. 5**

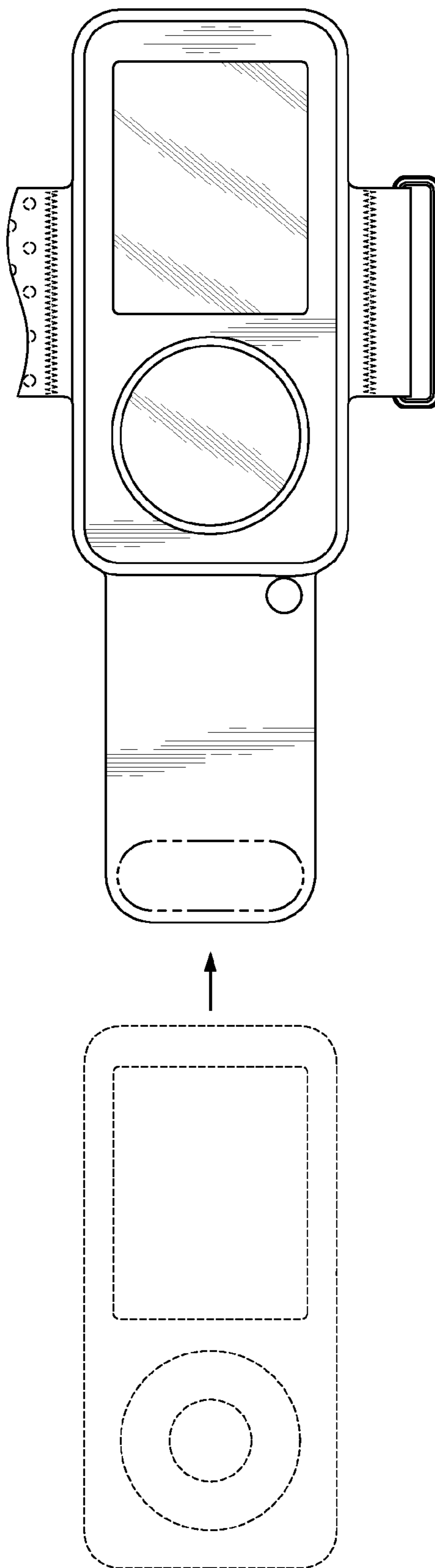


**FIG. 6**

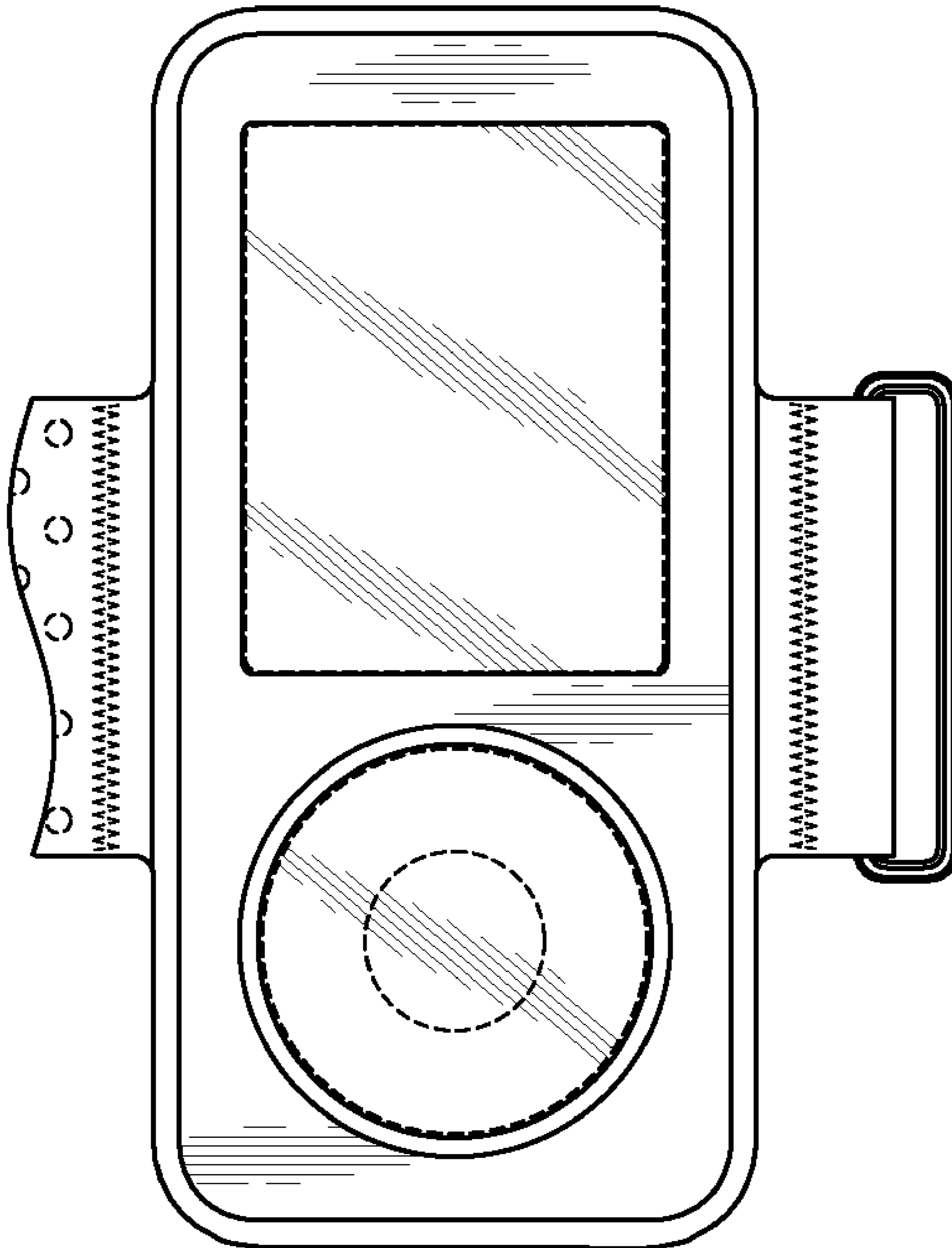


**FIG. 7**



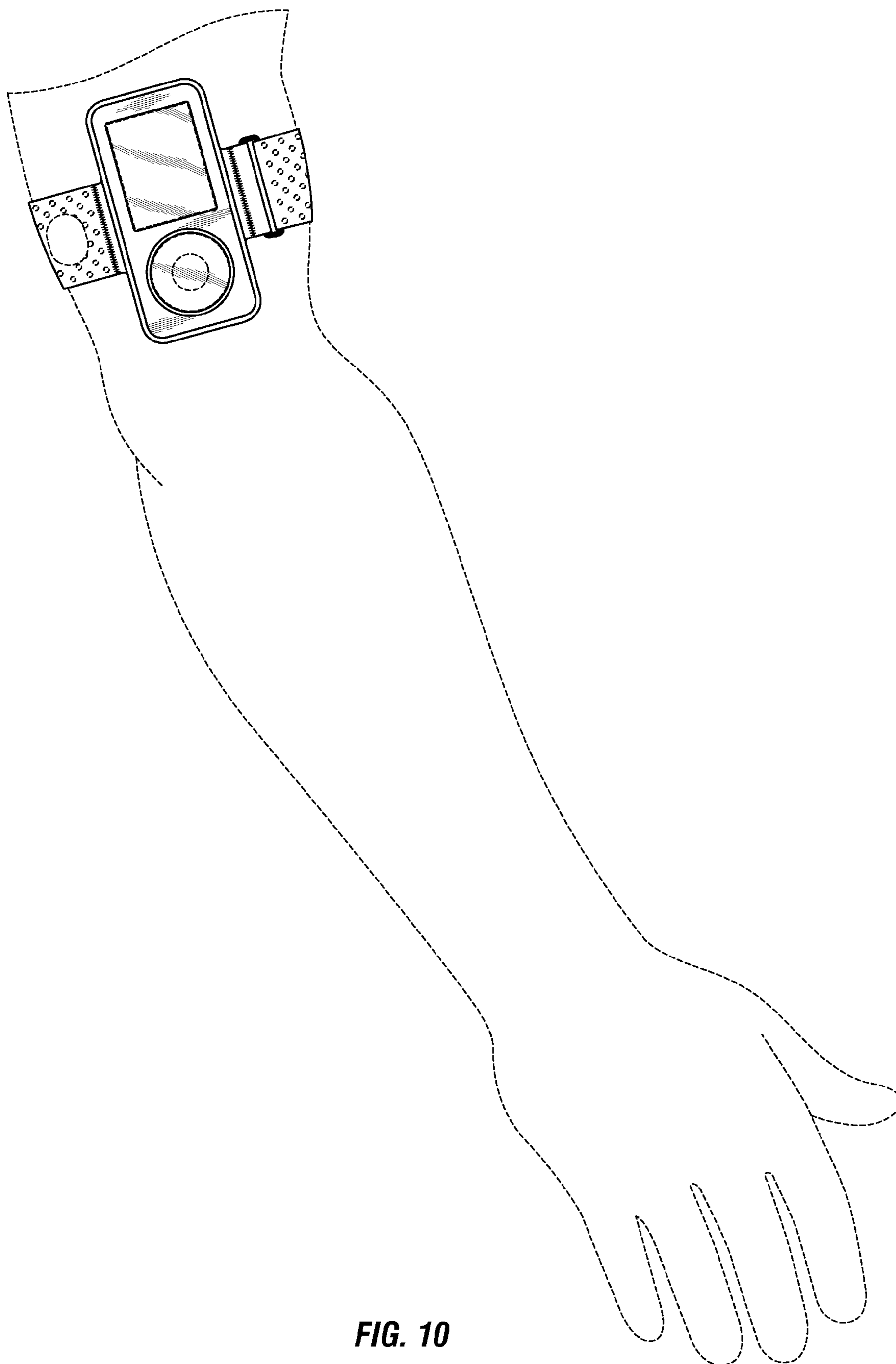


**FIG. 8**



**FIG. 9**





**FIG. 10**