



US00D628355S

(12) **United States Design Patent**  
**Spann et al.**

(10) **Patent No.:** **US D628,355 S**

(45) **Date of Patent:** **\*\* Nov. 30, 2010**

(54) **BARREL RACK**

(75) Inventors: **Herbert H. Spann**, Lincoln, NE (US);  
**Darwin D. Garton**, Malmo, NE (US);  
**Darrell A. Oltman**, Lincoln, NE (US)

(73) Assignee: **Snyder Industries, Inc.**, Lincoln, NE (US)

(\*\*) Term: **14 Years**

(21) Appl. No.: **29/362,611**

(22) Filed: **May 27, 2010**

(51) **LOC (9) Cl.** ..... **09-08**

(52) **U.S. Cl.** ..... **D34/38**

(58) **Field of Classification Search** ..... D34/38;  
108/51.11, 53.3, 59.4, 54.1, 56.1, 57.1, 56.3,  
108/902, 57.13, 57.21; 211/59.4  
See application file for complete search history.

(56) **References Cited**

**U.S. PATENT DOCUMENTS**

D220,294 S *	3/1971	Joice	.....	D19/92
D256,007 S *	7/1980	Chillog	.....	D34/38
4,846,077 A *	7/1989	Win	.....	108/57.25
D320,296 S *	9/1991	Kraus	.....	D34/38
D348,341 S *	6/1994	Costenaro	.....	D34/38
D381,180 S *	7/1997	Schueneman et al.	.....	D34/38
D384,481 S *	9/1997	Sheckells	.....	D34/38
D385,080 S *	10/1997	Schueneman et al.	.....	D34/38
D455,244 S *	4/2002	Lastrup	.....	D34/38
D466,269 S *	11/2002	Falland	.....	D34/39
D613,025 S *	3/2010	Dathan	.....	D34/38
2001/0050034 A1 *	12/2001	Gross	.....	108/51.11

**OTHER PUBLICATIONS**

Enpac Corporation web page, which applicant concedes to be prior art, showing Enpac Poly-Stacker barrel rack, [www.enpac.com/productDetail.aspx?id=27](http://www.enpac.com/productDetail.aspx?id=27), (1 page).

Enpac Corporation web page, which applicant concedes to be prior art, showing Enpac Mini-Stacker barrel rack, [www.enpac.com/productDetail.aspx?id=25](http://www.enpac.com/productDetail.aspx?id=25), (1 page).

Rack & Maintenance Form web page, which applicant concedes to be prior art, showing Rack & Maintenance Source Wine Barrel Rack, [www.rmswinebarrelracks.com/wine-barrel-racks/](http://www.rmswinebarrelracks.com/wine-barrel-racks/), (2 pages).

Topco Inc. web page updated Sep. 4, 2009 showing Wine Barrel Rack Specifications and Saddle Types, [www.topcoproducts.com/rackstyles&colors.html](http://www.topcoproducts.com/rackstyles&colors.html) (2 pages).

Topco Inc. web page updated Sep. 4, 2009, [www.topcoproducts.com](http://www.topcoproducts.com) (1 page).

Western Square Industries web page copyright 2007 showing Western Square Barrel Master Barrel Rack, [www.westernsquare.com](http://www.westernsquare.com) (2 pages).

Western Square Industries web page copyright 2007 showing Standard 7" Double Barrel rack, [www.westernsquare.com/wine\\_and\\_vine/index.html](http://www.westernsquare.com/wine_and_vine/index.html) (2 pages).

(Continued)

*Primary Examiner*—Cynthia E Ramirez

(74) *Attorney, Agent, or Firm*—Hovey Williams LLP

(57) **CLAIM**

The ornamental design for a barrel rack, as shown and described.

**DESCRIPTION**

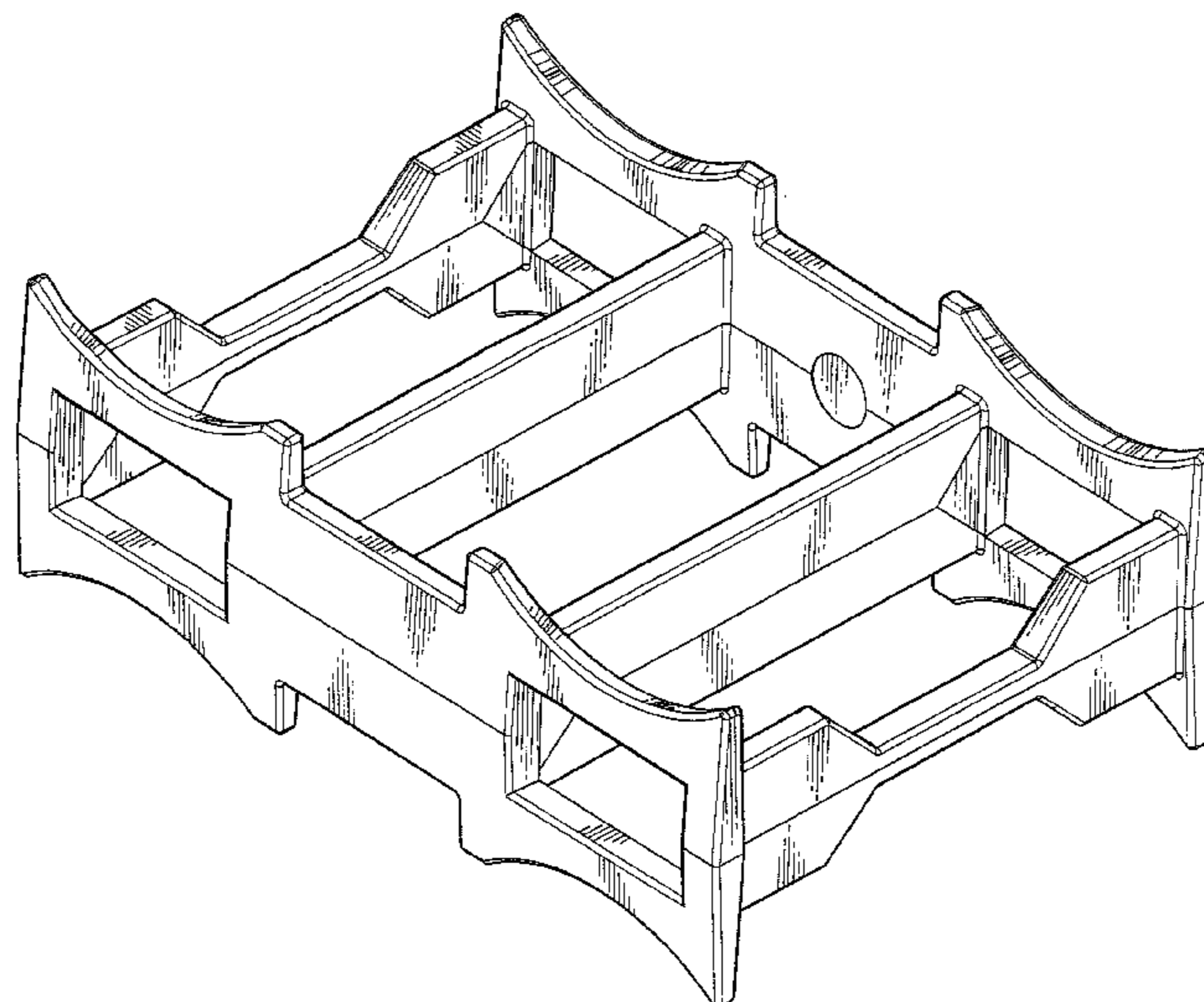
FIG. 1 is an isometric view of a barrel rack showing our new design;

FIG. 2 is a top plan view, the bottom view being a mirror image thereof;

FIG. 3 is a front elevational view, the rear view being a mirror image thereof; and,

FIG. 4 is a right side elevational view, the left side view being a mirror image thereof.

**1 Claim, 2 Drawing Sheets**



OTHER PUBLICATIONS

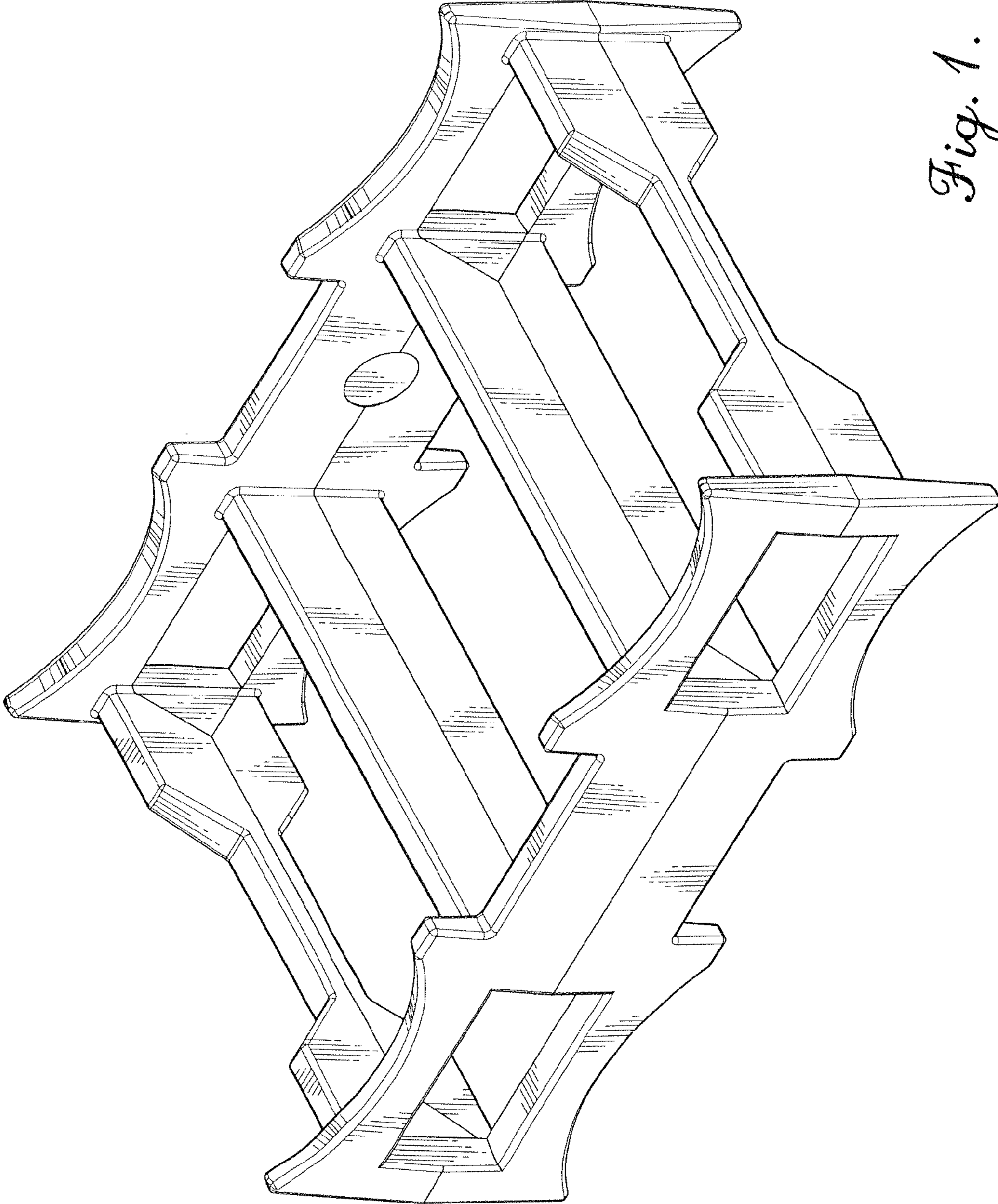
Western Square Industries web page copyright 2007 showing Stainless Steel Barrel rack, [www.westernsquare.com/wine\\_and\\_vine/colored.html](http://www.westernsquare.com/wine_and_vine/colored.html) (2 pages).

Western Square Industries web page copyright 2007 showing four-barrel Cave Rack, [www.westernsquare.com/wine\\_and\\_vine/cave\\_racks.html](http://www.westernsquare.com/wine_and_vine/cave_racks.html) (2 pages).

Western Square Industries web page copyright 2007 showing Portable Steel Barrel Racks, [www.westernsquare.com/wine\\_and\\_vine/steel\\_brack.html](http://www.westernsquare.com/wine_and_vine/steel_brack.html) (2 pages).

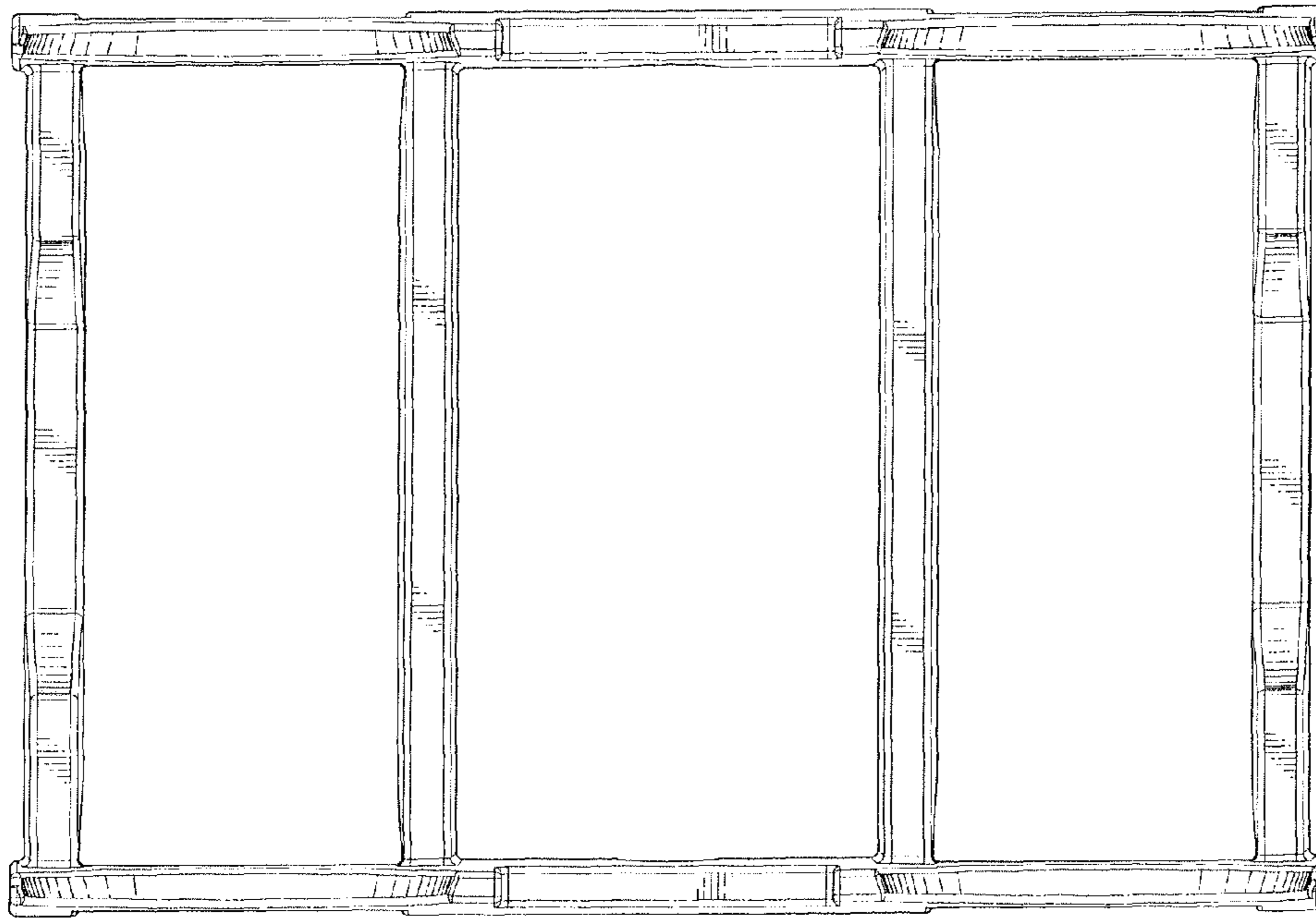
Western Square Industries web page copyright 2007 showing The Barrel Master System from Western Square Industries, [www.westernsquare.com/wine\\_and\\_vine/barrel\\_master.html](http://www.westernsquare.com/wine_and_vine/barrel_master.html) (2 pages).

\* cited by examiner

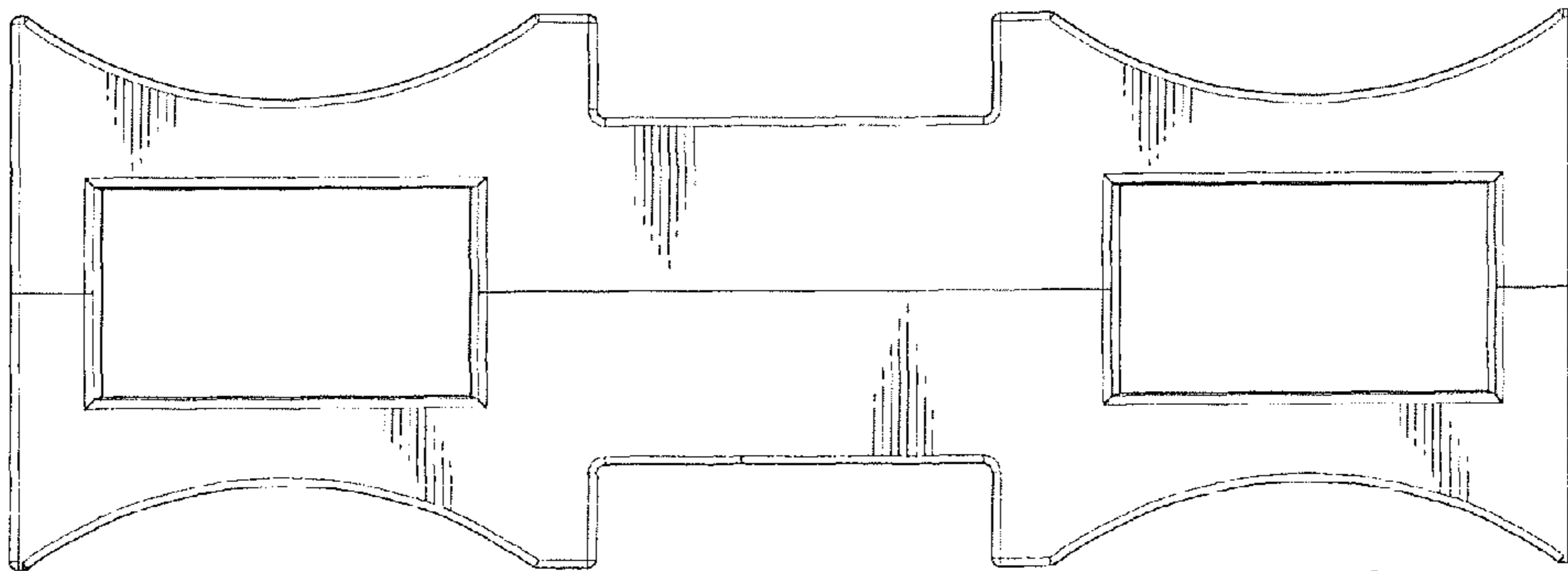


*Fig. 1.*

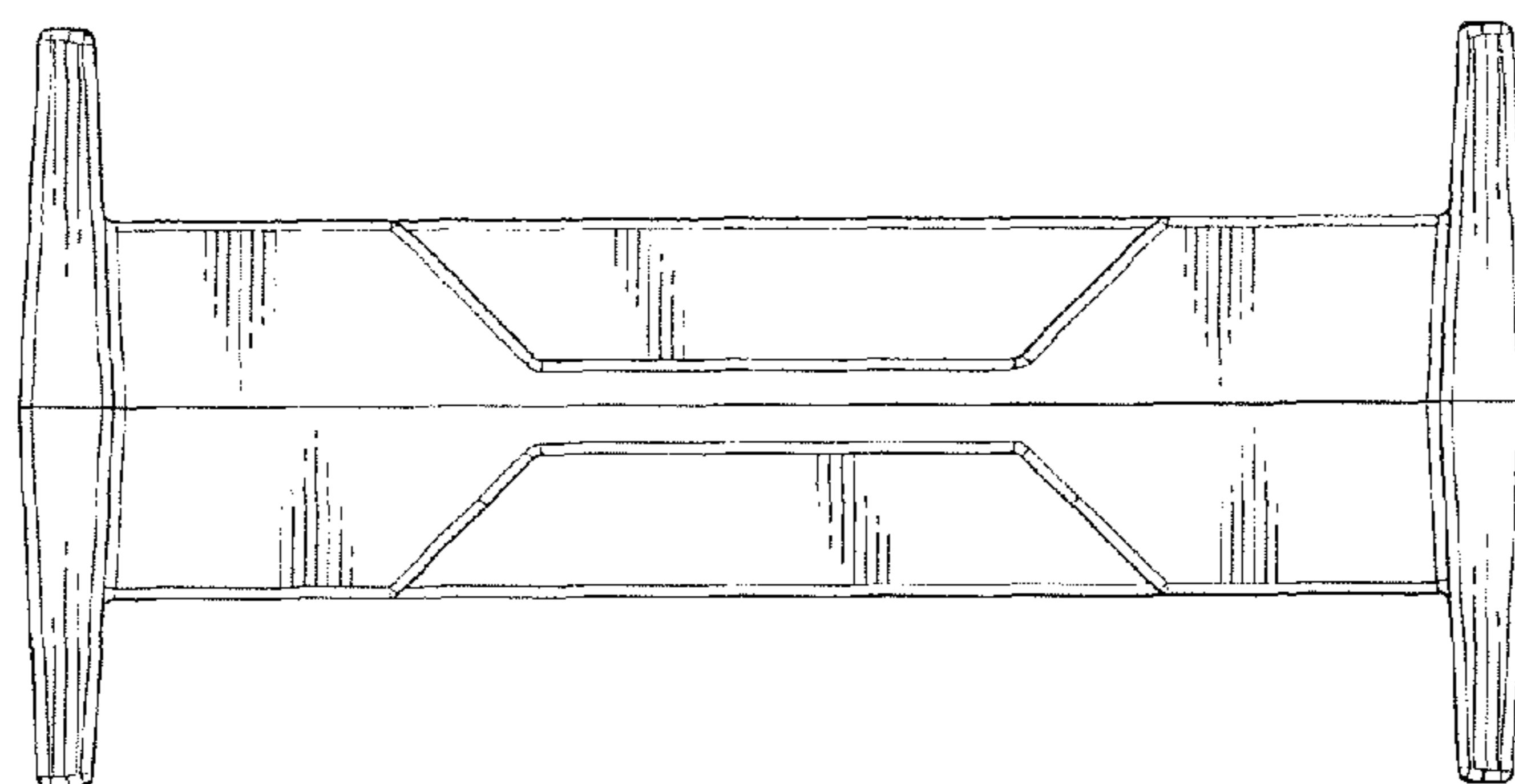




*Fig. 2.*



*Fig. 3.*



*Fig. 4.*