



US00D628353S

(12) **United States Design Patent**
Garton et al.

(10) **Patent No.:** **US D628,353 S**

(45) **Date of Patent:** **** Nov. 30, 2010**

(54) **BARREL RACK**

(75) Inventors: **Darwin D. Garton**, Malmo, NE (US);
Herbert H. Spann, Lincoln, NE (US)

(73) Assignee: **Snyder Industries, Inc.**, Lincoln, NE
(US)

(**) Term: **14 Years**

(21) Appl. No.: **29/354,554**

(22) Filed: **Jan. 26, 2010**

(51) **LOC (9) Cl.** **09-08**

(52) **U.S. Cl.** **D34/38**

(58) **Field of Classification Search** D34/38;
108/51.11, 53.3, 59.4, 54.1, 56.1, 57.1, 56.3,
108/902, 57.13, 57.21; 211/59.4
See application file for complete search history.

(56) **References Cited**

U.S. PATENT DOCUMENTS

D220,294 S *	3/1971	Stone	D19/92
D256,007 S *	7/1980	Chillog	D34/38
4,846,077 A *	7/1989	Win	108/57.25
D320,296 S *	9/1991	Kraus	D34/38
D348,341 S *	6/1994	Costenaro	D34/38
D381,180 S *	7/1997	Schueneman et al.	D34/38
D384,481 S *	9/1997	Sheckells	D34/38
D385,080 S *	10/1997	Schueneman et al.	D34/38
D455,244 S *	4/2002	Lastrup	D34/38
D466,269 S *	11/2002	Falland	D34/39
D613,025 S *	3/2010	Dathan	D34/38
2001/0050034 A1 *	12/2001	Gross	108/51.11

OTHER PUBLICATIONS

Enpac Corporation web page, which applicant concedes to be prior art, showing Enpac Poly-Stacker barrel rack, www.enpac.com/productDetail.aspx?id=27, (1 page).

Enpac Corporation web page, which applicant concedes to be prior art, showing Enpac Mini-Stacker barrel rack, www.enpac.com/productDetail.aspx?id=25, (1 page).

Rack & Maintenance Form web page, which applicant concedes to be prior art, showing Rack & Maintenance Source Wine Barrel Rack, www.rmswinebarrelracks.com/wine-barrel-racks/, (2 pages).

(Continued)

Primary Examiner—Cynthia E Ramirez

(74) *Attorney, Agent, or Firm*—Hovey Williams LLP

(57) **CLAIM**

The ornamental design for a barrel rack, as shown and described.

DESCRIPTION

FIG. 1 is an isometric view of a barrel rack showing our new design;

FIG. 2 is a top plan view, the bottom being a mirror image thereof;

FIG. 3 is a front elevational view, the rear view being a mirror image thereof;

FIG. 4 is a right side elevational view, the left side view being a mirror image thereof;

FIG. 5 is an isometric view of an alternate embodiment of our barrel rack;

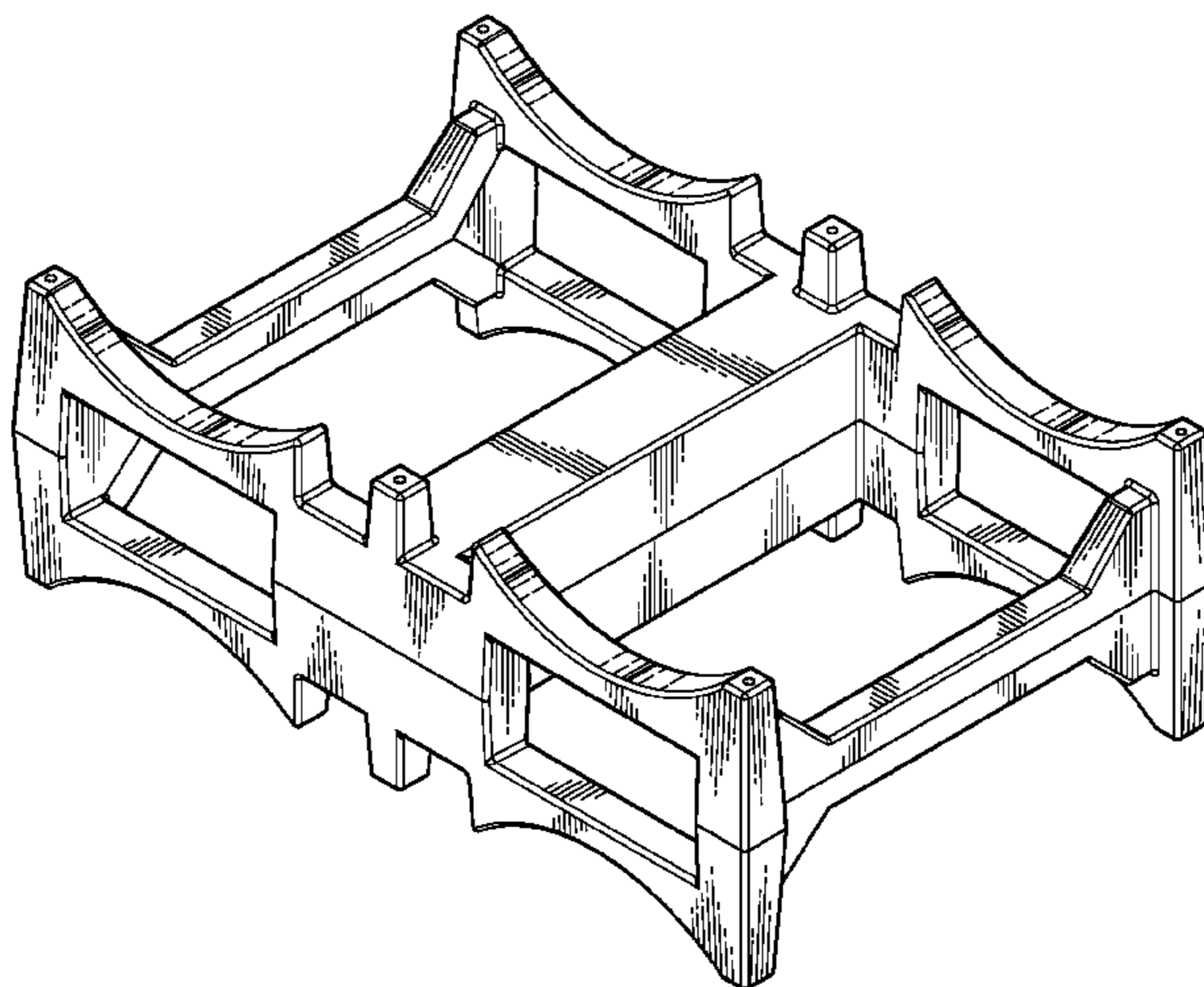
FIG. 6 is a top plan view of the embodiment of FIG. 5;

FIG. 7 is a front elevational view of the embodiment of FIG. 5, the rear view being a mirror image thereof; and,

FIG. 8 is a right side elevational view of the embodiment of FIG. 5, the left side view view being a mirror image thereof.

The broken line showing of holes in FIGS. 1, 2, 5 and 6 is included for the purpose of illustrating environmental structure and forms no part of the claimed design.

1 Claim, 4 Drawing Sheets



OTHER PUBLICATIONS

Topco Inc. web page updated Sep. 4, 2009 showing Wine Barrel Rack Specifications and Saddle Types, [www.topcoproducts.com/rack_styles & colors.html](http://www.topcoproducts.com/rack_styles&colors.html) (2 pages).

Topco Inc. web page updated Sep. 4, 2009, www.topcoproducts.com (1 page).

Western Square Industries web page copyright 2007 showing Western Square Barrel Master Barrel Rack, www.westernsquare.com (2 pages).

Western Square Industries web page copyright 2007 showing Standard 7" Double Barrel rack, www.westernsquare.com/wine_and_vine/index.html (2 pages).

Western Square Industries web page copyright 2007 showing Stainless Steel Barrel rack, www.westernsquare.com/wine_and_vine/colored.html (2 pages).

Western Square Industries web page copyright 2007 showing four-barrel Cave Rack, www.westernsquare.com/wine_and_vine/cave_racks.html (2 pages).

Western Square Industries web page copyright 2007 showing Portable Steel Barrel Racks, www.westernsquare.com/wine_and_vine/steel_brack.html (2 pages).

Western Square Industries web page copyright 2007 showing The Barrel Master System from Western Square Industries, www.westernsquare.com/wine_and_vine/barrel_master.html (2 pages).

* cited by examiner

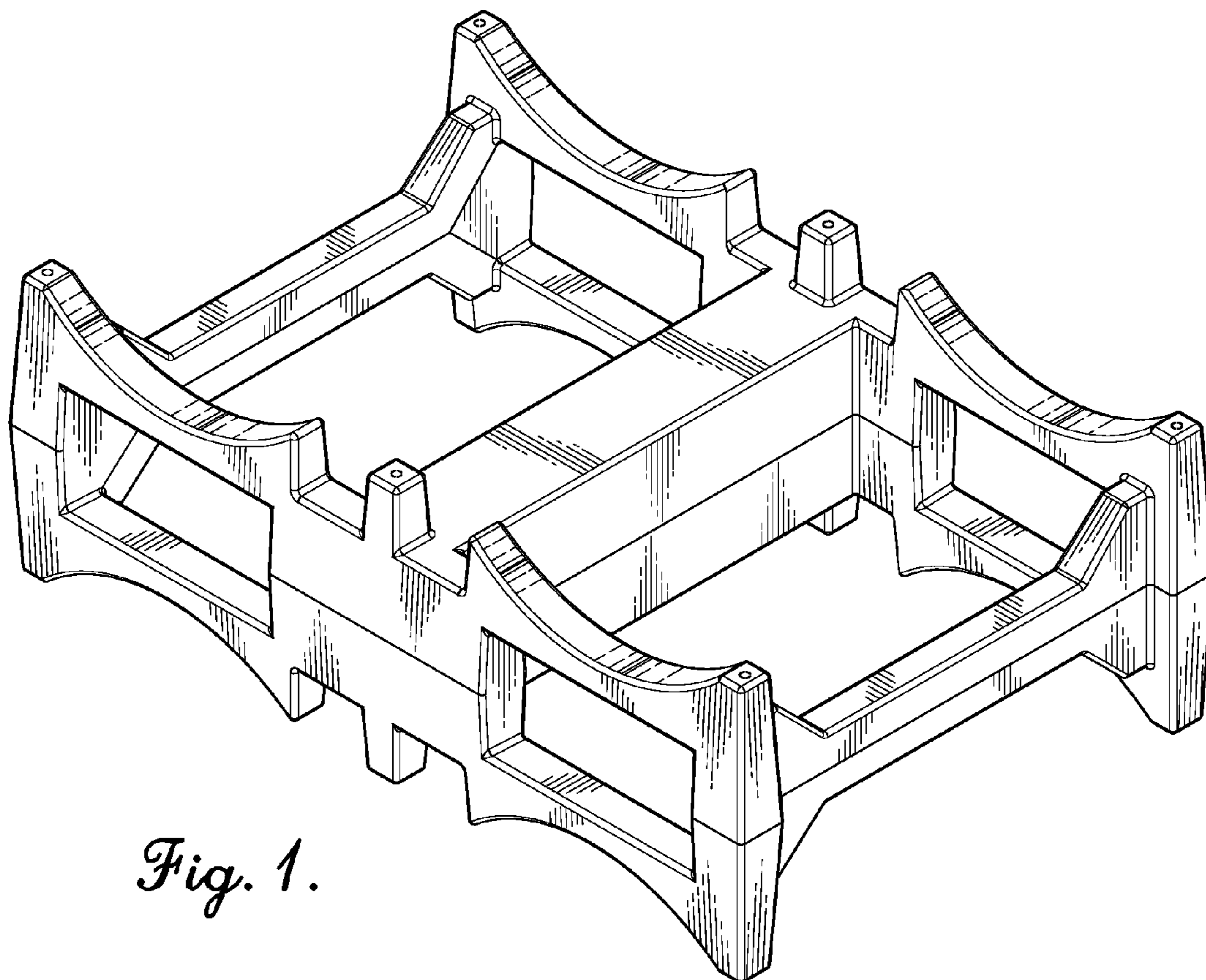


Fig. 1.

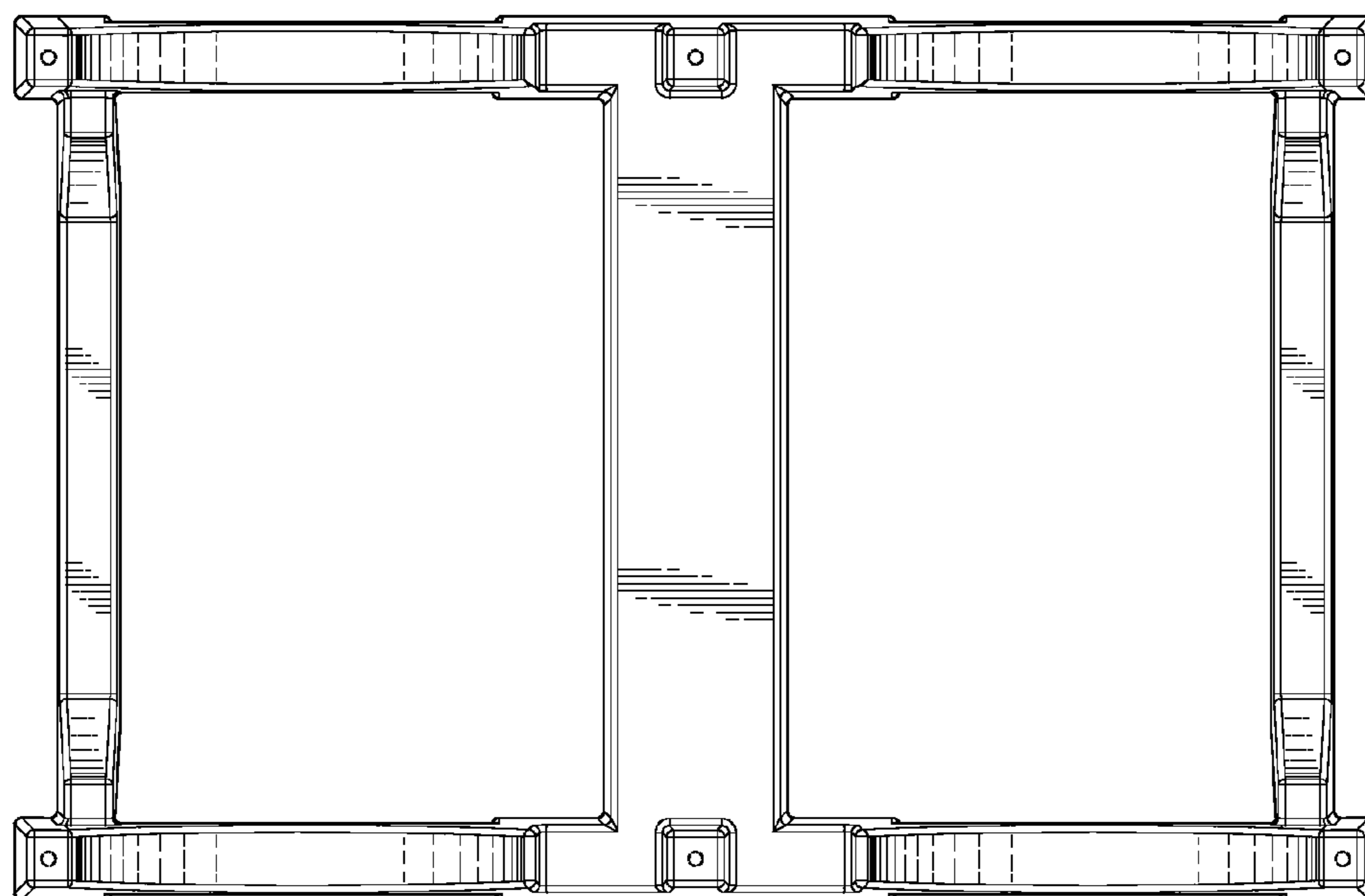


Fig. 2.

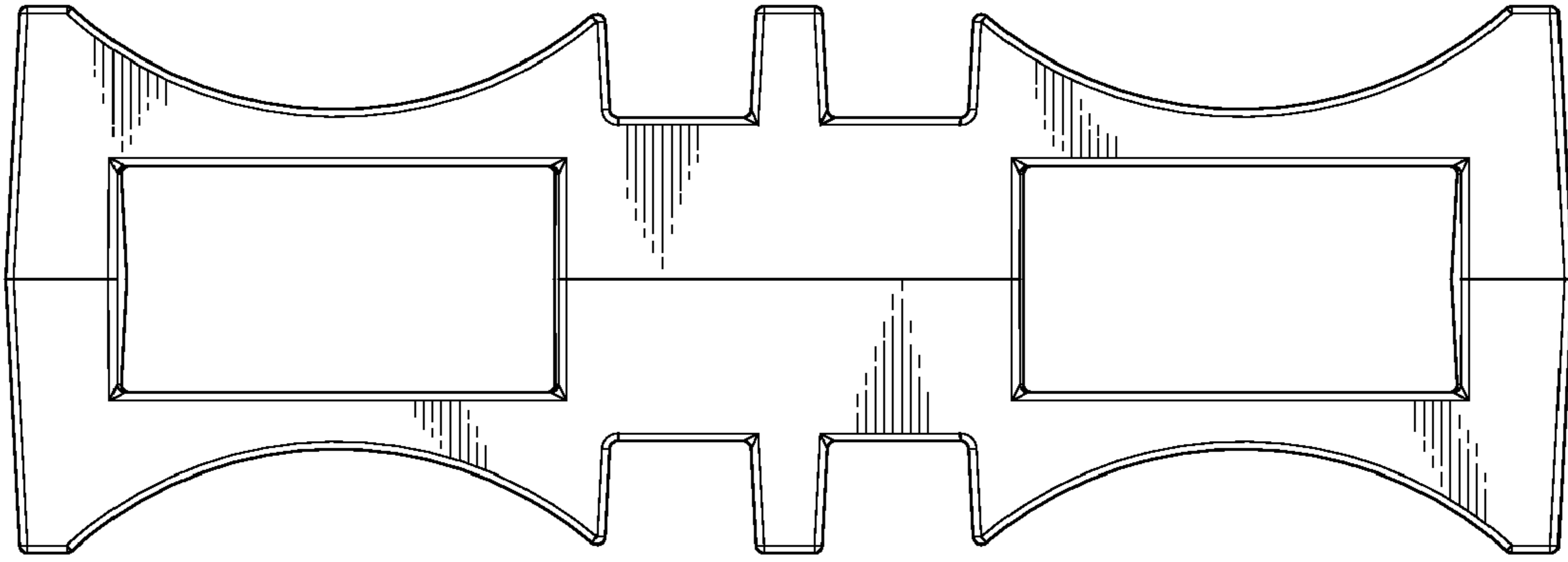


Fig. 3.

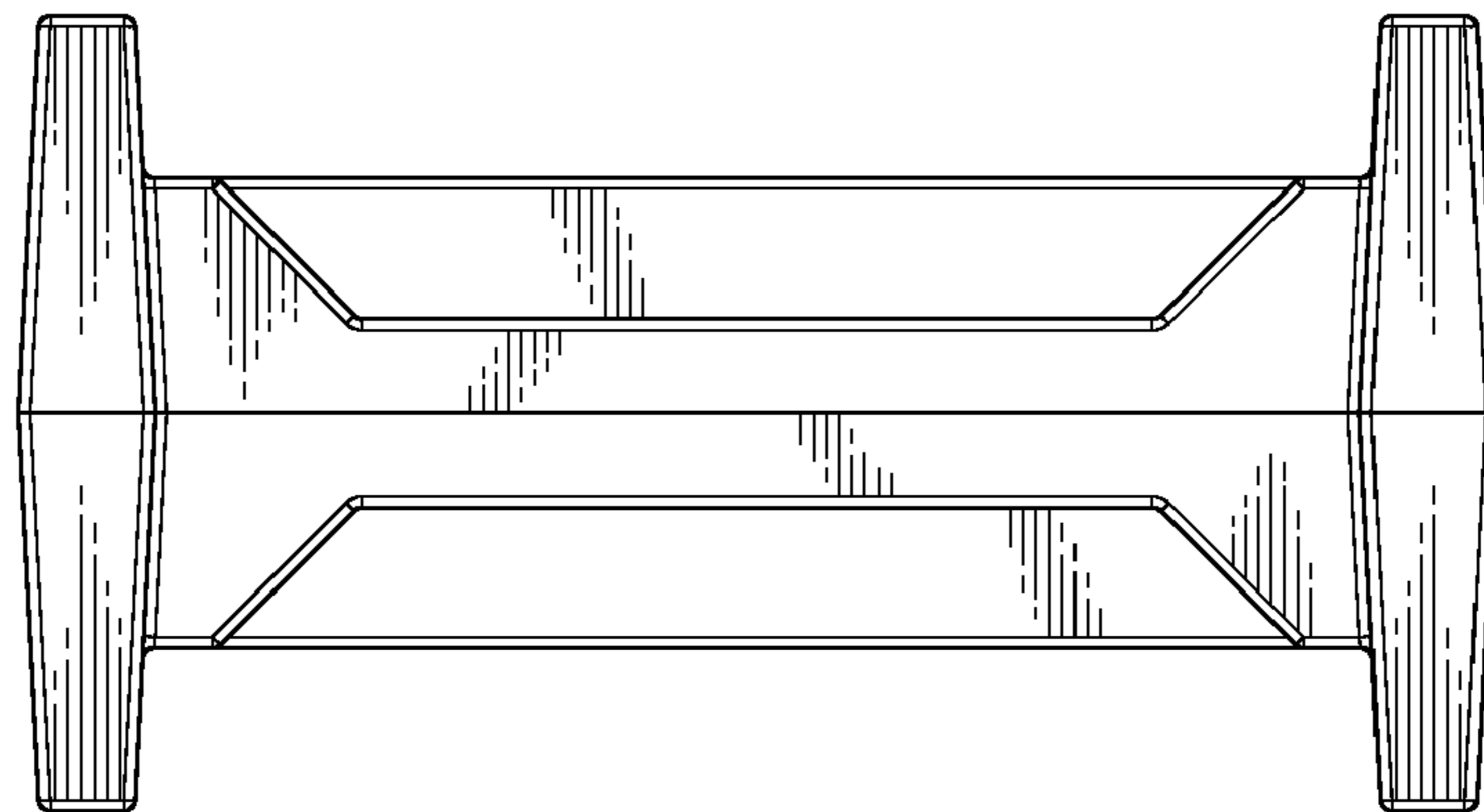


Fig. 4.

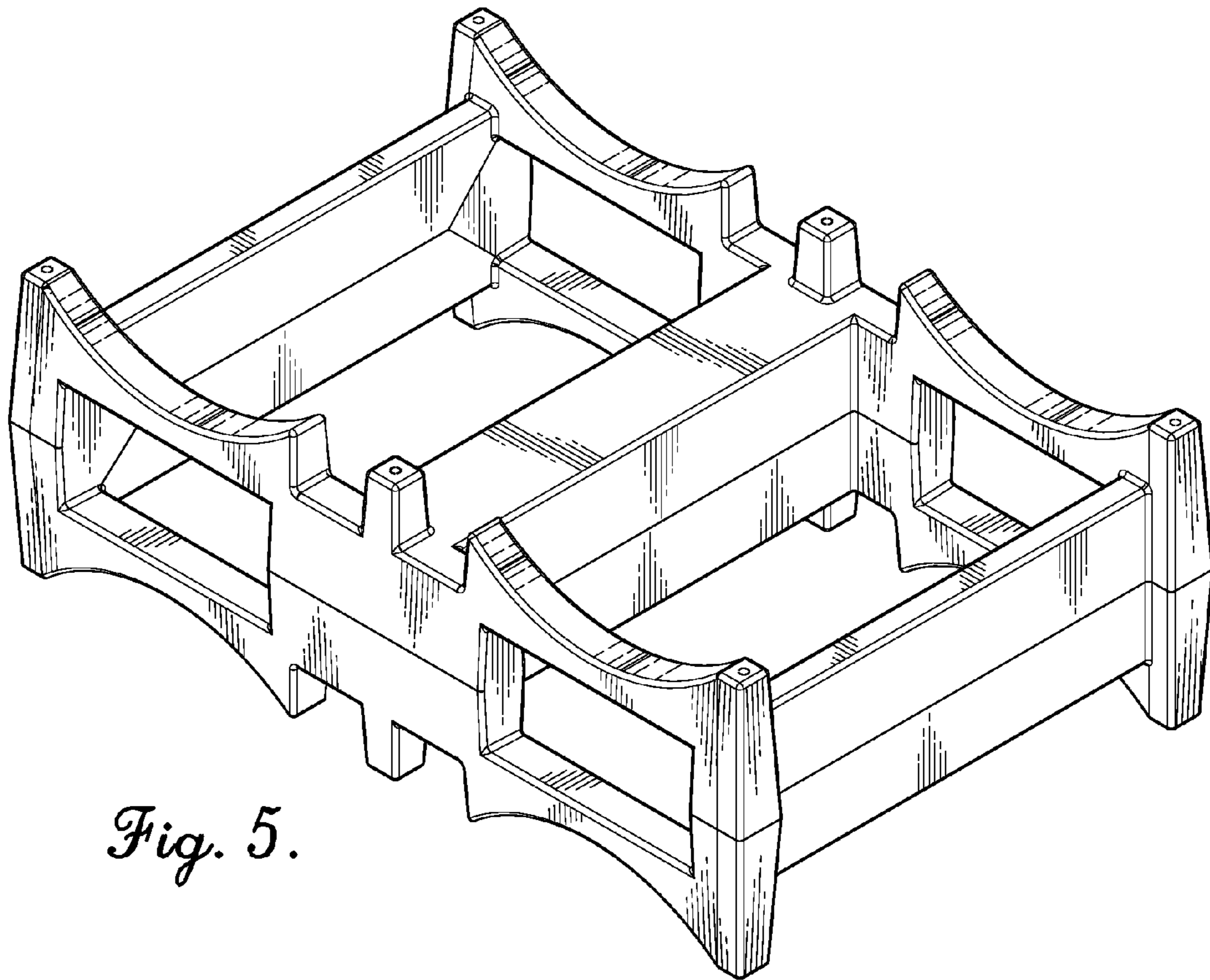


Fig. 5.

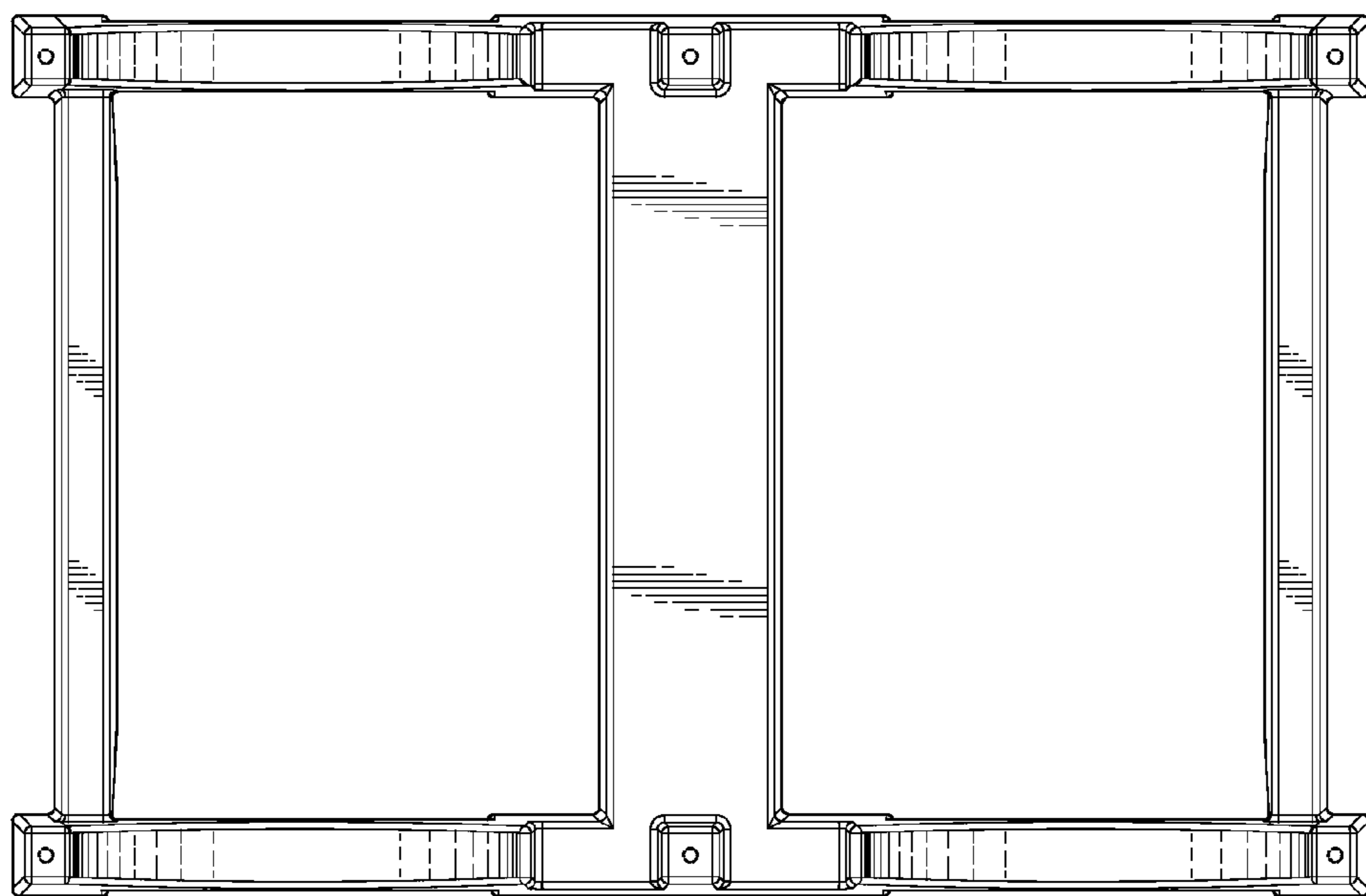


Fig. 6.

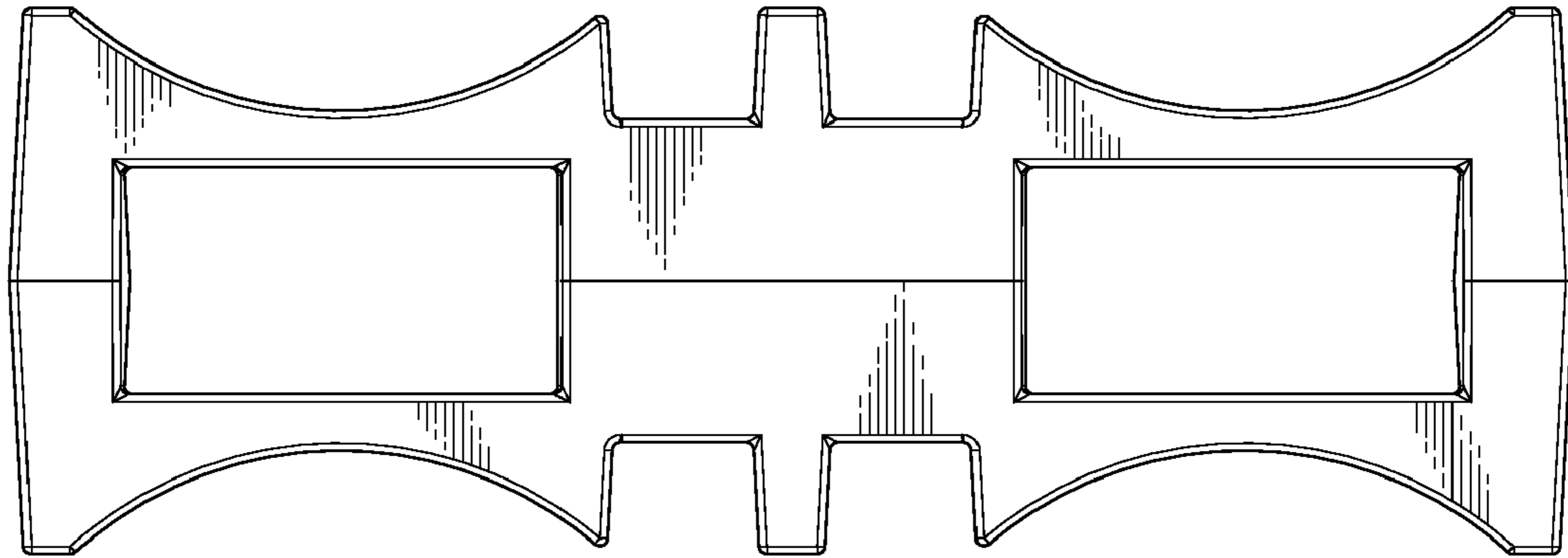


Fig. 7.

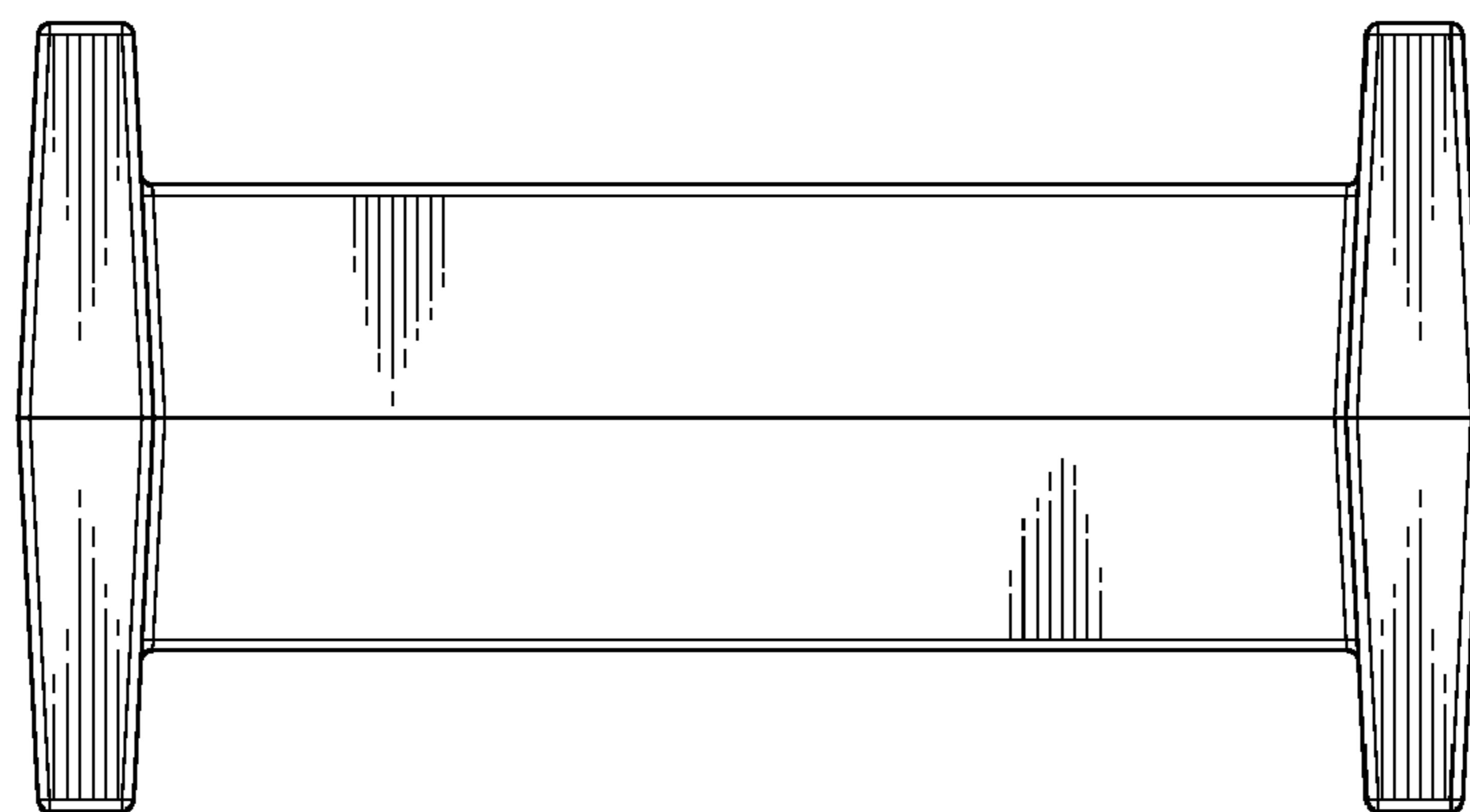


Fig. 8.