

US00D628352S

(12) **United States Design Patent**
Libman et al.

(10) **Patent No.:** **US D628,352 S**

(45) **Date of Patent:** **** Nov. 30, 2010**

(54) **HANDLE FOR A CLEANING IMPLEMENT**

(75) Inventors: **Robert J. Libman**, Arcola, IL (US);
Enzo Berti, Pianiga (IT); **Marco Bizzotto**, Padova (IT)

(73) Assignee: **The Libman Company**, Arcola, IL (US)

(**) Term: **14 Years**

(21) Appl. No.: **29/332,055**

(22) Filed: **Feb. 6, 2009**

(51) **LOC (9) Cl.** **04-01**

(52) **U.S. Cl.** **D32/52**

(58) **Field of Classification Search** D32/35,
D32/40, 51-52; D4/138; 15/143.1, 209.1,
15/210.1, 211, 229.13; 16/430, 421, 431,
16/901; D22/108; D24/133, 145; 401/138-140,
401/190; D8/303, DIG. 7; 280/821

See application file for complete search history.

(56) **References Cited**

U.S. PATENT DOCUMENTS

2,262,334	A	11/1941	Rugaard	
2,470,837	A	5/1949	Polson	
3,457,016	A	7/1969	Gotberg	
4,641,857	A *	2/1987	Gailiunas	280/821
5,159,851	A *	11/1992	Rahmes	D8/303
5,232,298	A	8/1993	Mitsunari et al.	
D407,048	S *	3/1999	Benktzon et al.	D8/303
5,888,006	A	3/1999	Ping et al.	
5,960,508	A	10/1999	Holt et al.	
5,988,920	A	11/1999	Kunkler et al.	
D420,561	S	2/2000	Kunkler	
6,386,392	B1	5/2002	Argentieri et al.	
6,497,525	B1	12/2002	Huang	
6,540,424	B1	4/2003	Hall et al.	
6,551,001	B2	4/2003	Aberegg et al.	
6,659,670	B1	12/2003	Blouse	
6,663,307	B2 *	12/2003	Kopanic et al.	401/190
D497,699	S	10/2004	Chi-Hsiang et al.	

D505,762	S	5/2005	Lalanne et al.
6,960,042	B1	11/2005	Hsiao
D514,267	S	1/2006	Tsai
7,007,338	B2	3/2006	Garabedian, Jr. et al.
7,137,169	B2	11/2006	Murphy et al.
7,172,099	B2	2/2007	Hofte et al.
7,210,185	B2	5/2007	Paas
2004/0071490	A1	4/2004	Vosbikian et al.
2004/0134016	A1	7/2004	Kisela et al.
2004/0139572	A1	7/2004	Kisela et al.
2004/0223803	A1	11/2004	Fahy et al.
2005/0271456	A1	12/2005	Suda et al.
2006/0039743	A1	2/2006	Mensink et al.
2006/0233593	A1	10/2006	Tanaka et al.
2007/0020030	A1	1/2007	Goulet et al.

* cited by examiner

Primary Examiner—Nanda Bondade

(74) *Attorney, Agent, or Firm*—Banner & Witcoff, Ltd.

(57) **CLAIM**

The ornamental design for a handle for a cleaning implement, as shown and described.

DESCRIPTION

FIG. 1 is a rear left perspective view of handle for a cleaning implement, wherein the remainder of the cleaning implement is unclaimed and omitted for clarity;

FIG. 2 is a front view thereof;

FIG. 3 is a top view thereof;

FIG. 4 is a right view thereof;

FIG. 5 is a rear view thereof;

FIG. 6 is a left view thereof; and,

FIG. 7 is a bottom view thereof.

The dot-dash-dot broken line showing represents unclaimed boundaries of the claimed design. The dot-dot broken line showing represents environmental structure and forms no part of the claimed design.

1 Claim, 3 Drawing Sheets

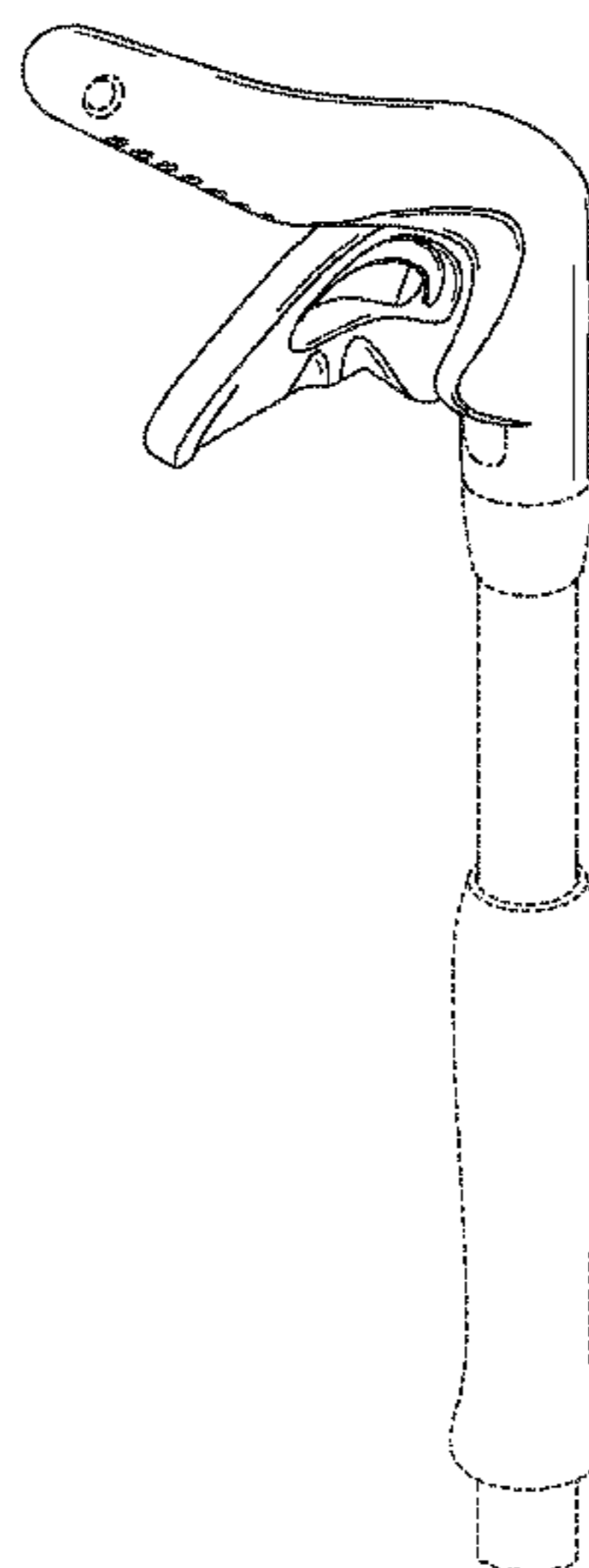


Fig. 1

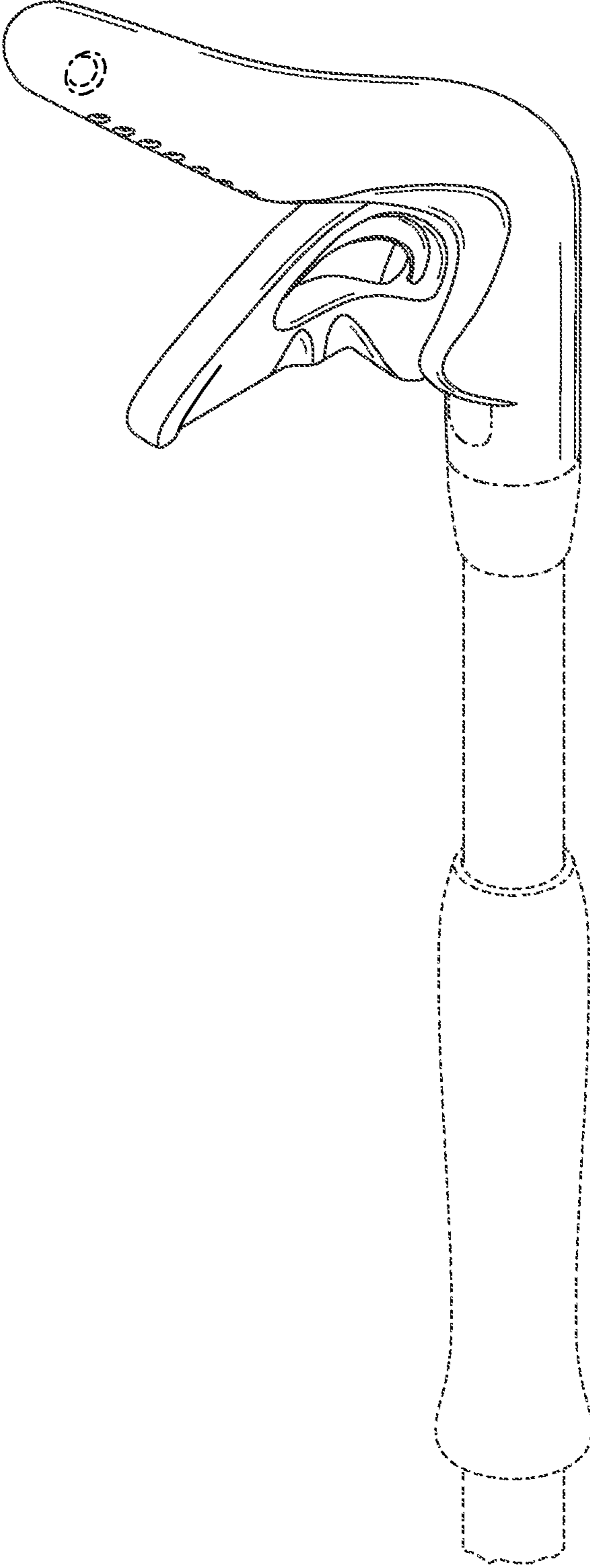


Fig. 2

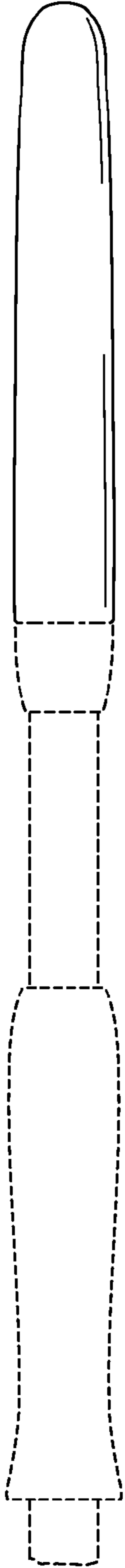


Fig. 3

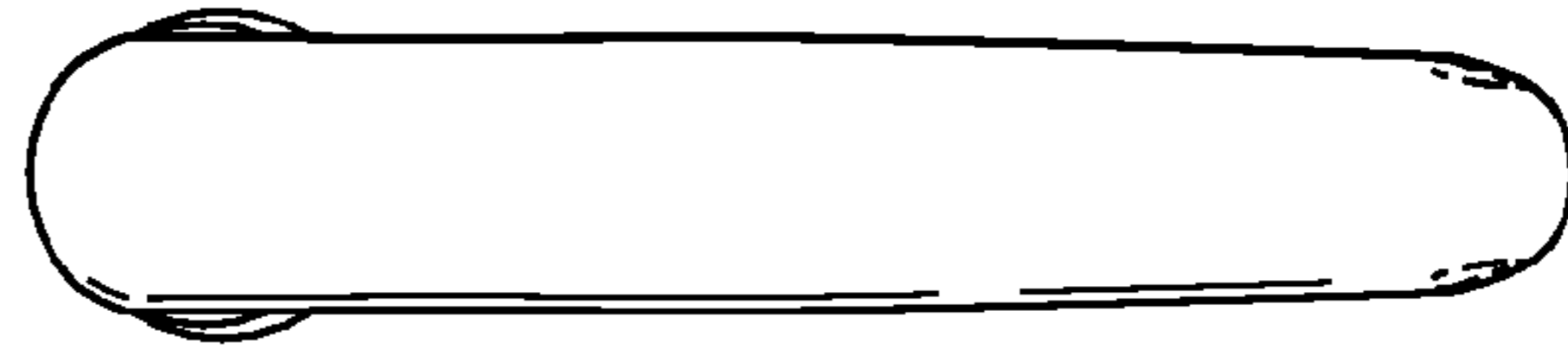


Fig. 4

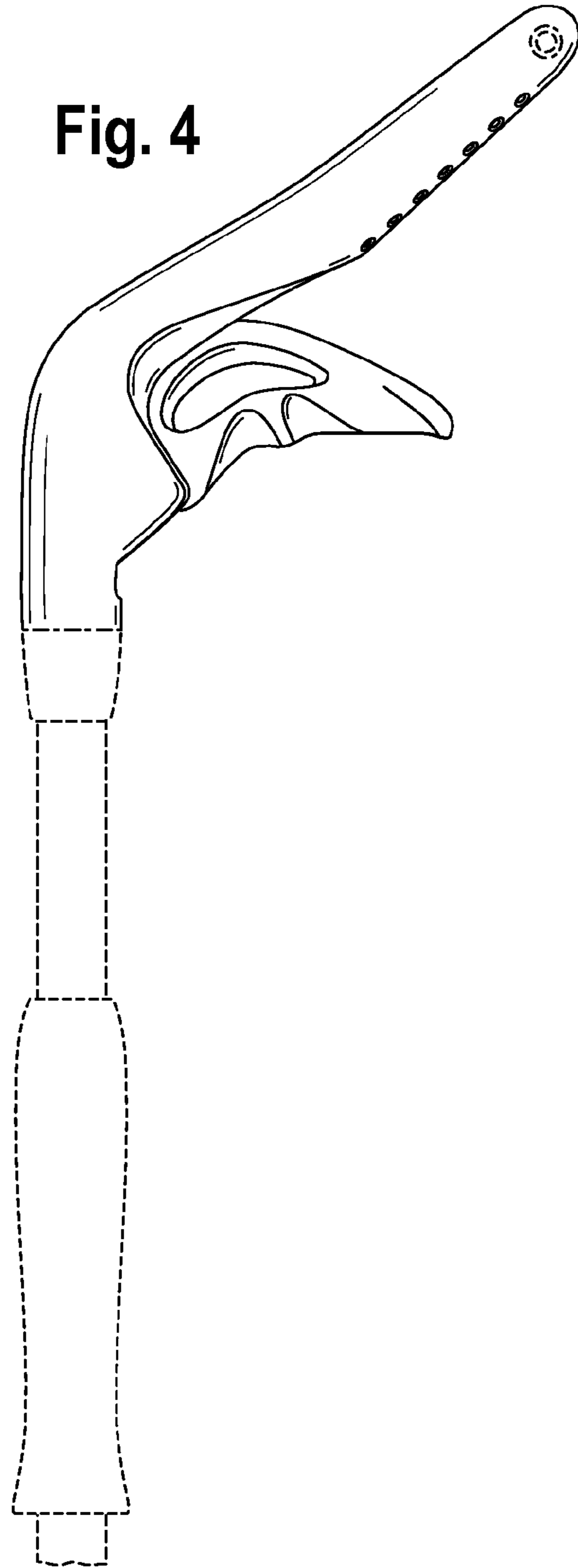


Fig. 5

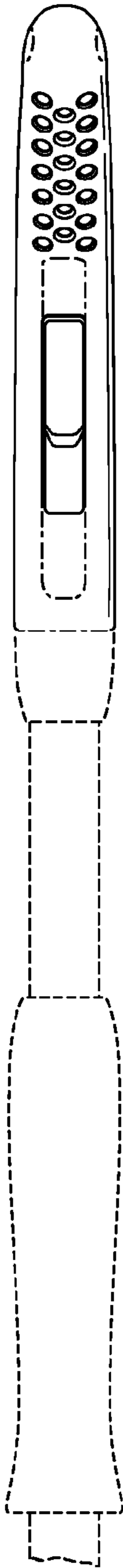


Fig. 6

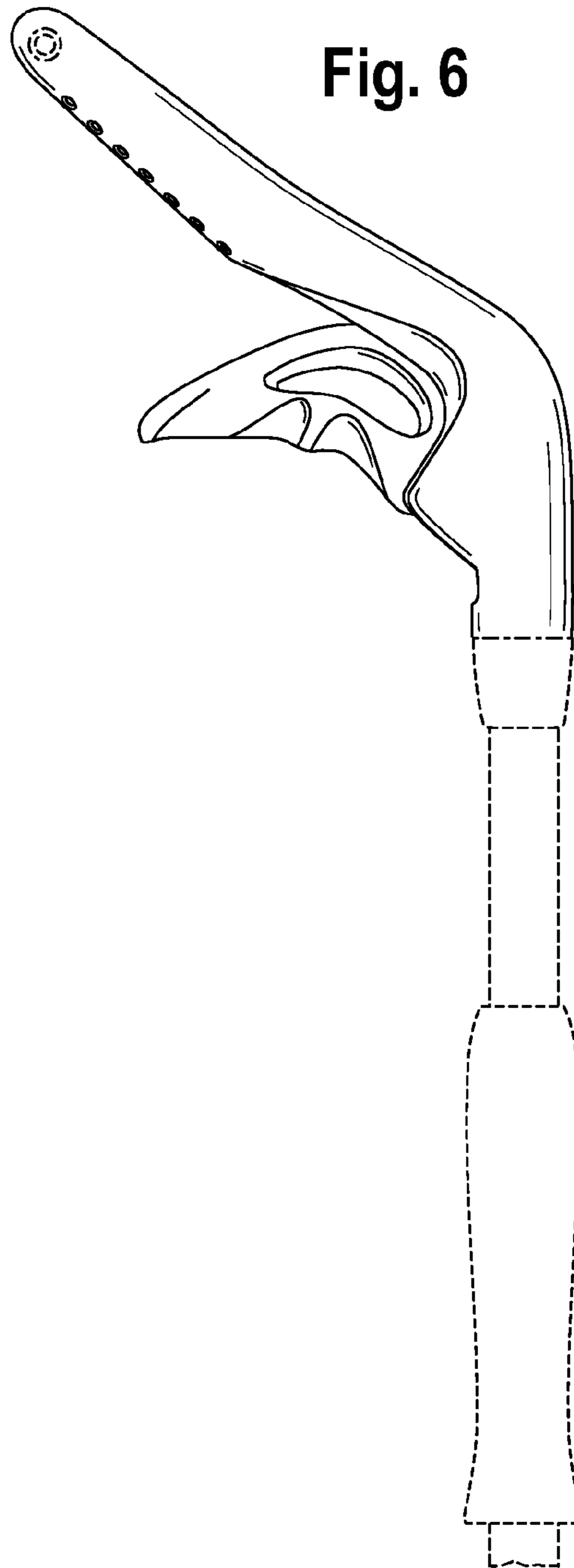


Fig. 7

