



US00D628351S

(12) **United States Design Patent**
Weis et al.

(10) **Patent No.:** **US D628,351 S**

(45) **Date of Patent:** **** Nov. 30, 2010**

(54) **MOP HOUSING**

(75) Inventors: **Norbert Weis**, Naperville, IL (US);
Robert Giacolo, Naperville, IL (US)

(73) Assignee: **Freudenberg Household Products LP**,
Northlake, IL (US)

(**) Term: **14 Years**

(21) Appl. No.: **29/288,822**

(22) Filed: **Jun. 22, 2007**

(51) **LOC (9) Cl.** **14-01**

(52) **U.S. Cl.** **D32/50**

(58) **Field of Classification Search** D32/40,
D32/44, 50; 15/116.1, 116.2, 119.1, 119.2,
15/144.2, 147.1, 147.2, 150, 228, 229.1–229.3;
D4/199; 401/207, 628

See application file for complete search history.

(56) **References Cited**

U.S. PATENT DOCUMENTS

D295,913 S * 5/1988 Jones et al. D32/44
D334,263 S 3/1993 Torres
D497,228 S * 10/2004 Berti D32/50

D529,294 S * 10/2006 Van Landingham, Jr. D4/199
7,552,499 B2 * 6/2009 James et al. 15/144.2
2003/0028988 A1 * 2/2003 Streutker et al. 15/228

* cited by examiner

Primary Examiner—Nanda Bondade

(74) *Attorney, Agent, or Firm*—Leydig, Voit & Mayer, Ltd.

(57) **CLAIM**

The ornamental design for a mop housing, as shown and described.

DESCRIPTION

FIG. 1 is a top, front and right side perspective view of a mop housing showing our new design;

FIG. 2 is an enlarged front elevational view thereof;

FIG. 3 is a rear elevational view thereof;

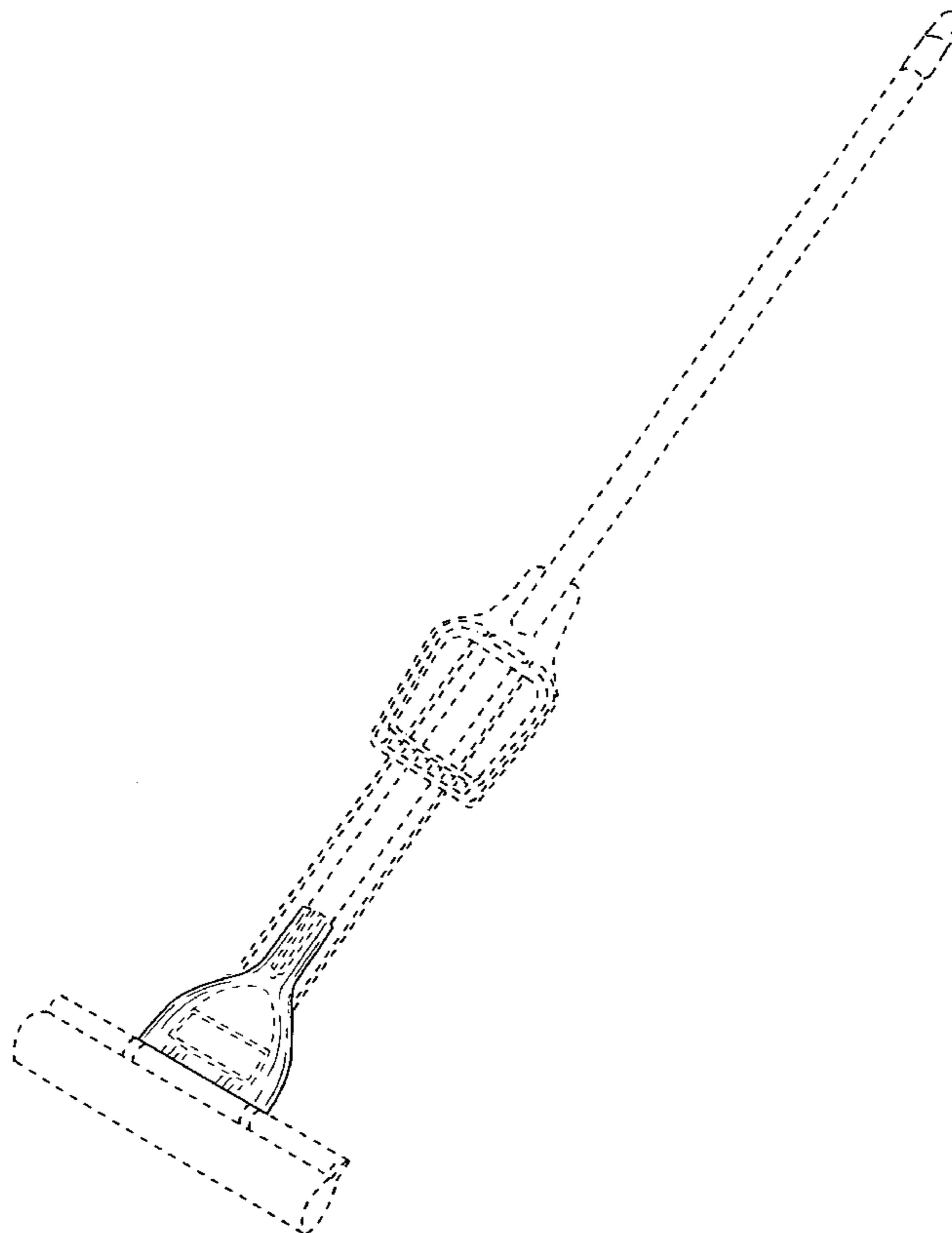
FIG. 4 is a left side elevational view thereof;

FIG. 5 is a right side elevational view thereof; and,

FIG. 6 is a top plan view thereof.

The broken lines are for illustration purposes only and form no part of the claimed design.

1 Claim, 6 Drawing Sheets



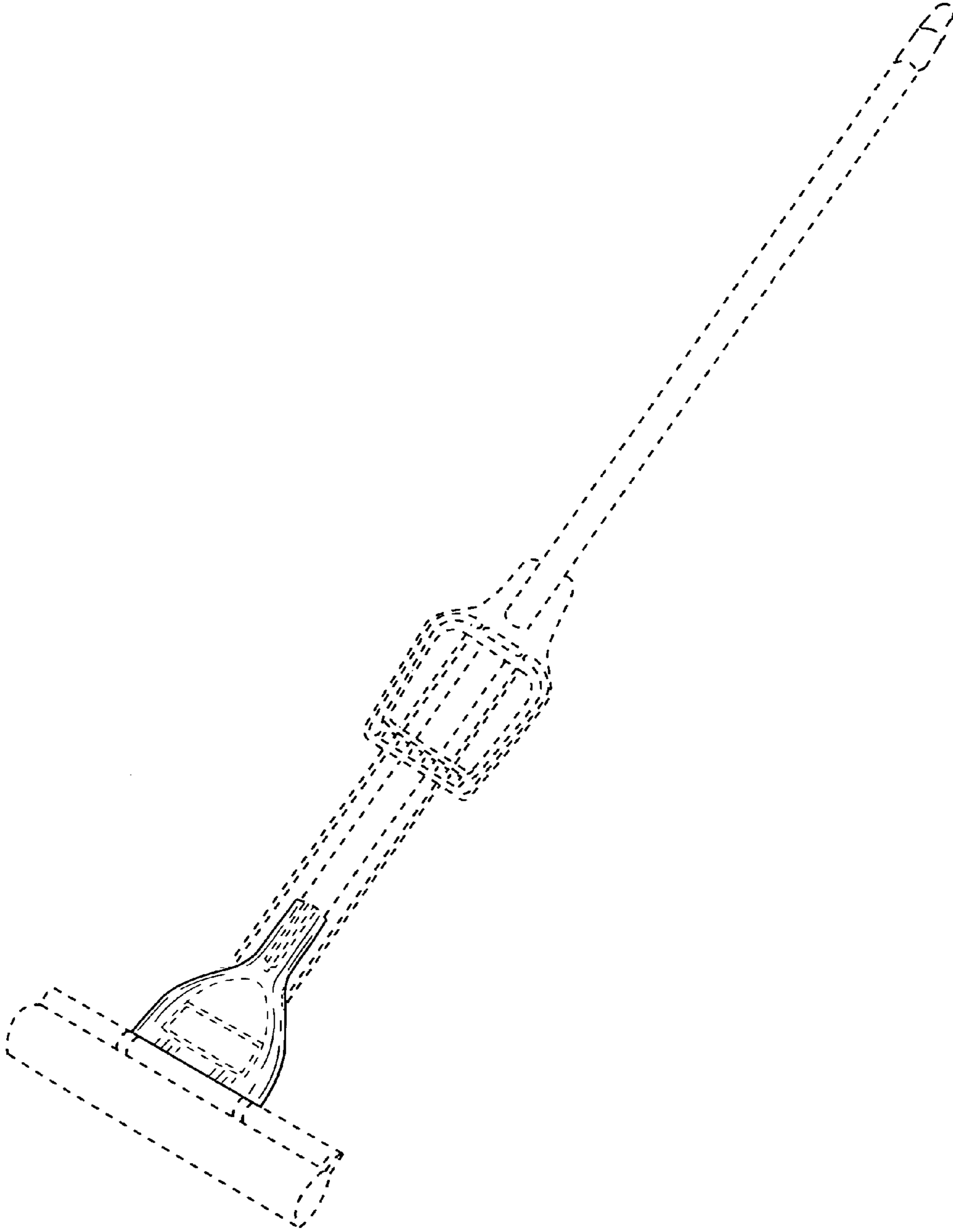


FIG. 1

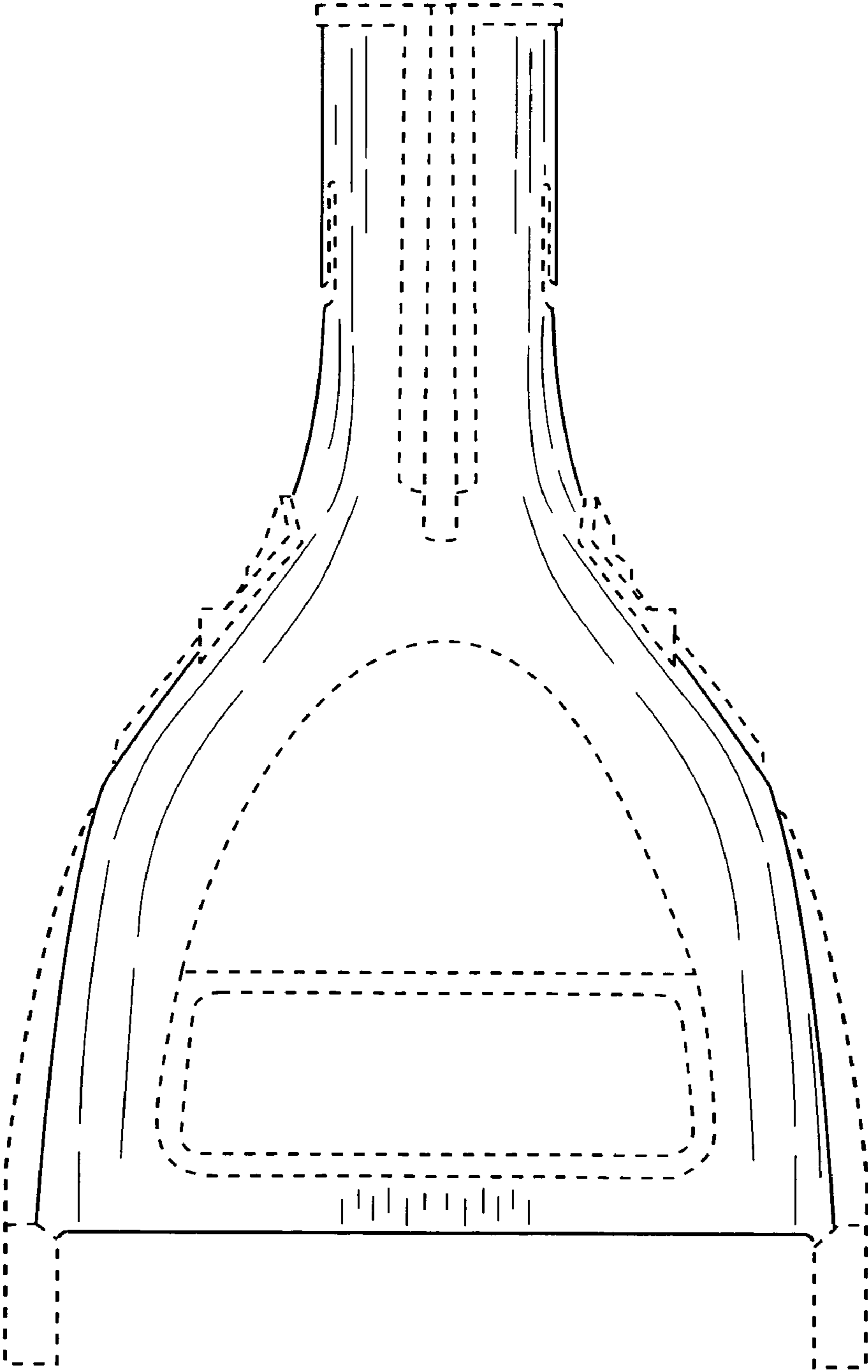


FIG. 2

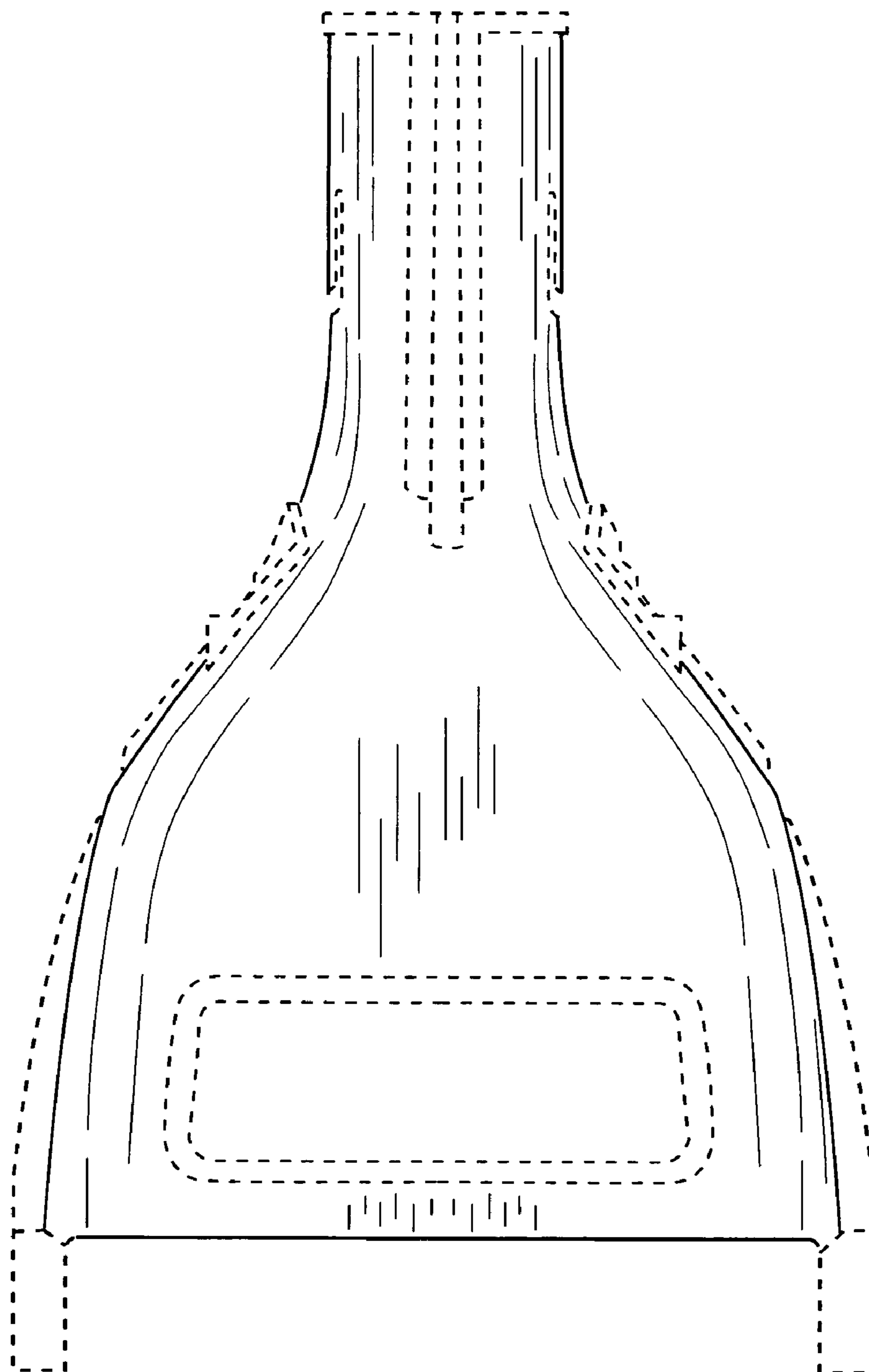


FIG. 3

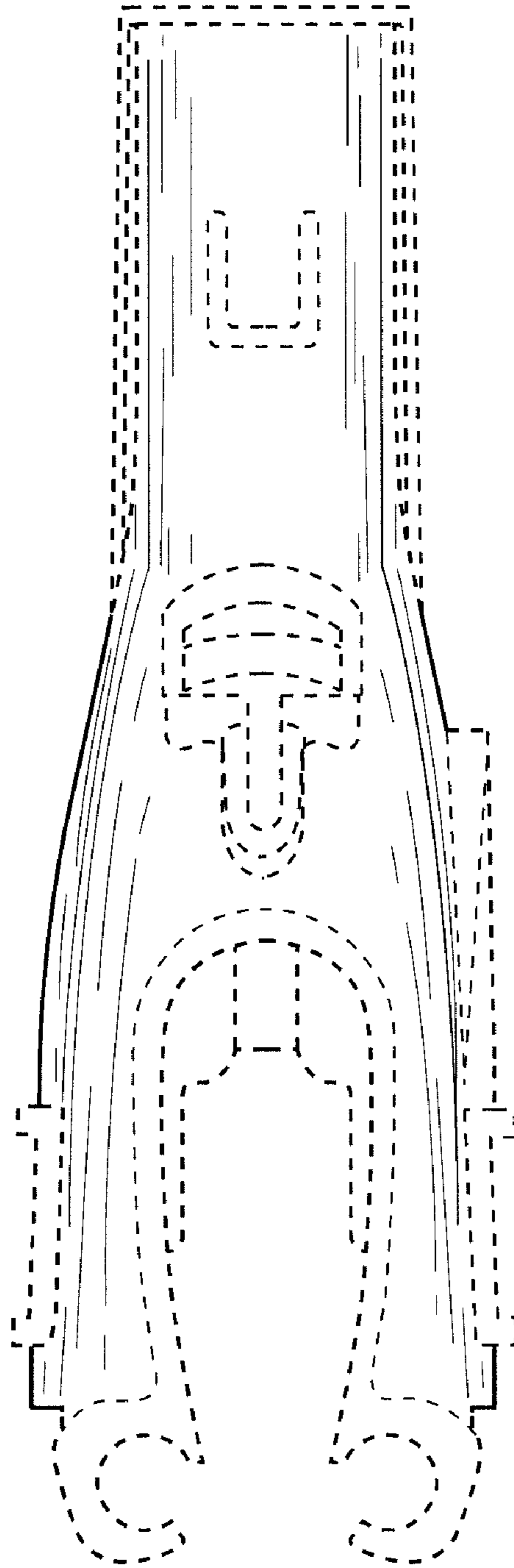


FIG. 4

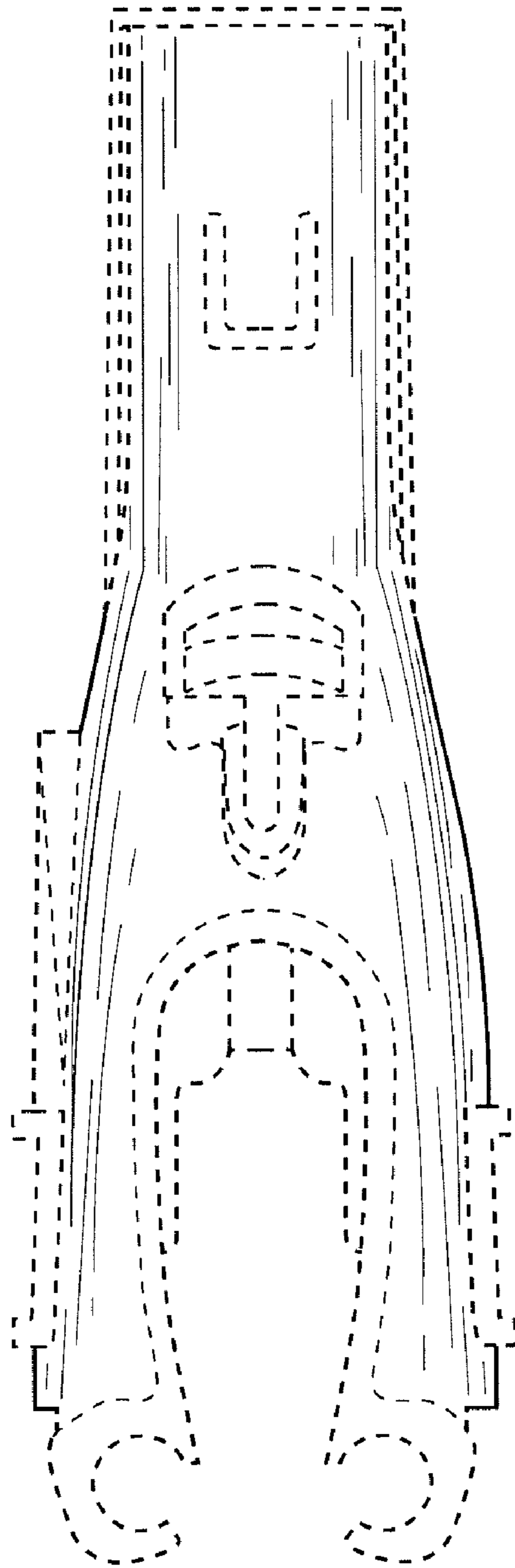


FIG. 5

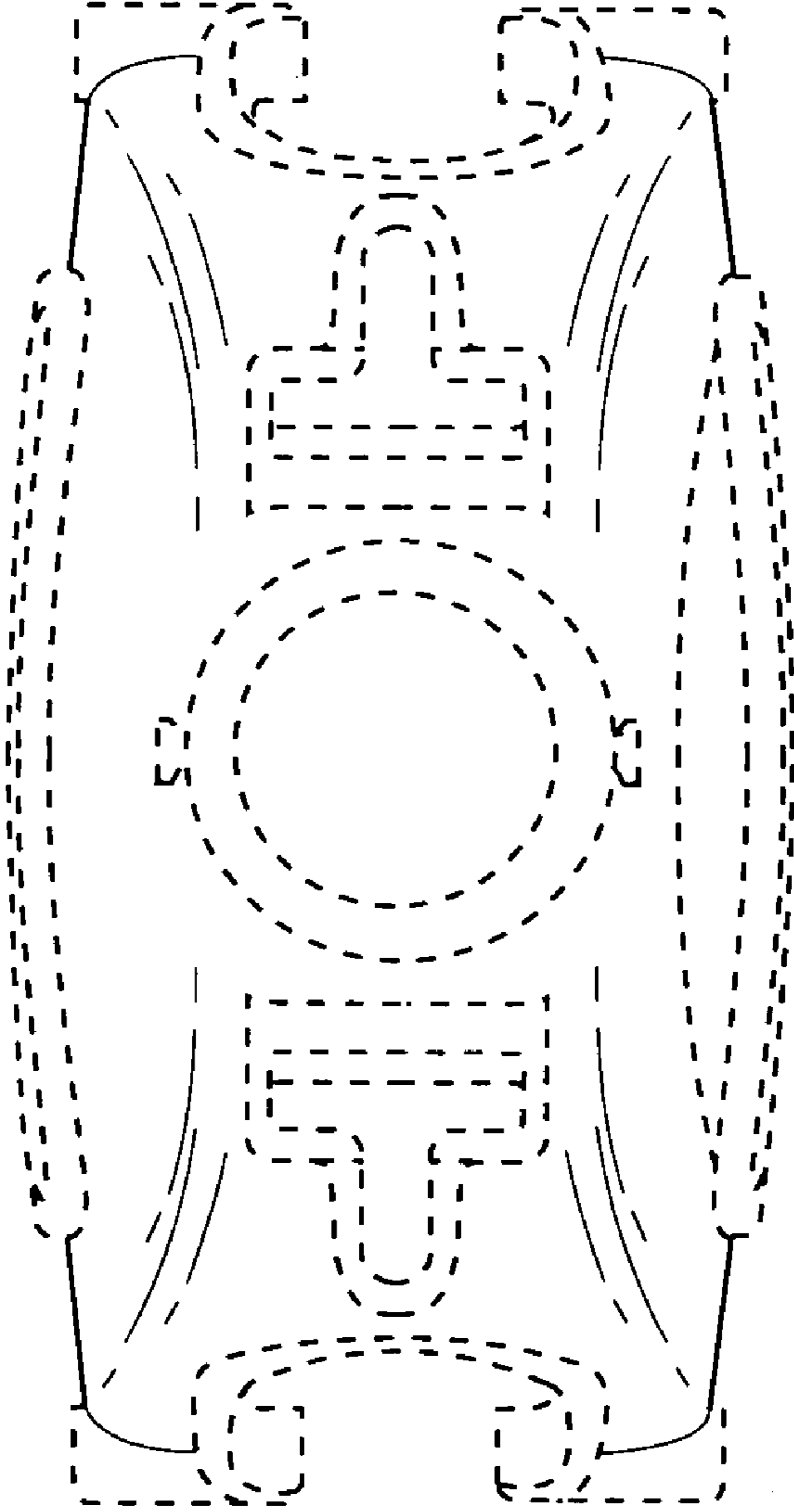


FIG. 6