



US00D628350S

(12) **United States Design Patent**
Rossano et al.

(10) **Patent No.:** **US D628,350 S**

(45) **Date of Patent:** **** Nov. 30, 2010**

(54) **SKIMMER**

(75) Inventors: **Martin Rossano**, Montreal (CA); **Eric Quiron**, Prevost (CA)

(73) Assignee: **CPA Pool Products, Inc.**, Quebec (CA)

(**) Term: **14 Years**

(21) Appl. No.: **29/365,252**

(22) Filed: **Jul. 7, 2010**

(51) **LOC (9) Cl.** **08-99**

(52) **U.S. Cl.** **D32/35**

(58) **Field of Classification Search** D22/135;
D23/209-210; D32/35; 15/1.7; 43/7, 11;
210/169, 238, 470-471, 473-474, 495, 499,
210/776

See application file for complete search history.

(56) **References Cited**

U.S. PATENT DOCUMENTS

3,220,037 A * 11/1965 Ruhling 15/1.7
4,846,972 A * 7/1989 Anderson 210/238
6,302,277 B1 * 10/2001 Resh 210/471
D488,602 S * 4/2004 Pecci et al. D32/35

D492,825 S * 7/2004 Pecci et al. D32/35

* cited by examiner

Primary Examiner—Nanda Bondade

(74) *Attorney, Agent, or Firm*—Baker & Rannells, PA

(57) **CLAIM**

The ornamental design for a skimmer, as shown and described.

DESCRIPTION

FIG. 1 is a perspective view of a skimmer, showing our new design;

FIG. 2 is a front elevational view of our new design;

FIG. 3 is a rear elevational view of our new design;

FIG. 4 is a left side elevational view of our new design;

FIG. 5 is a right side elevational view of our new design;

FIG. 6 is a top plan view of our new design; and,

FIG. 7 is a bottom plan view of our new design.

The broken line showing on the drawing disclosure is for illustrative purposes only and forms no part of the claimed design.

1 Claim, 7 Drawing Sheets

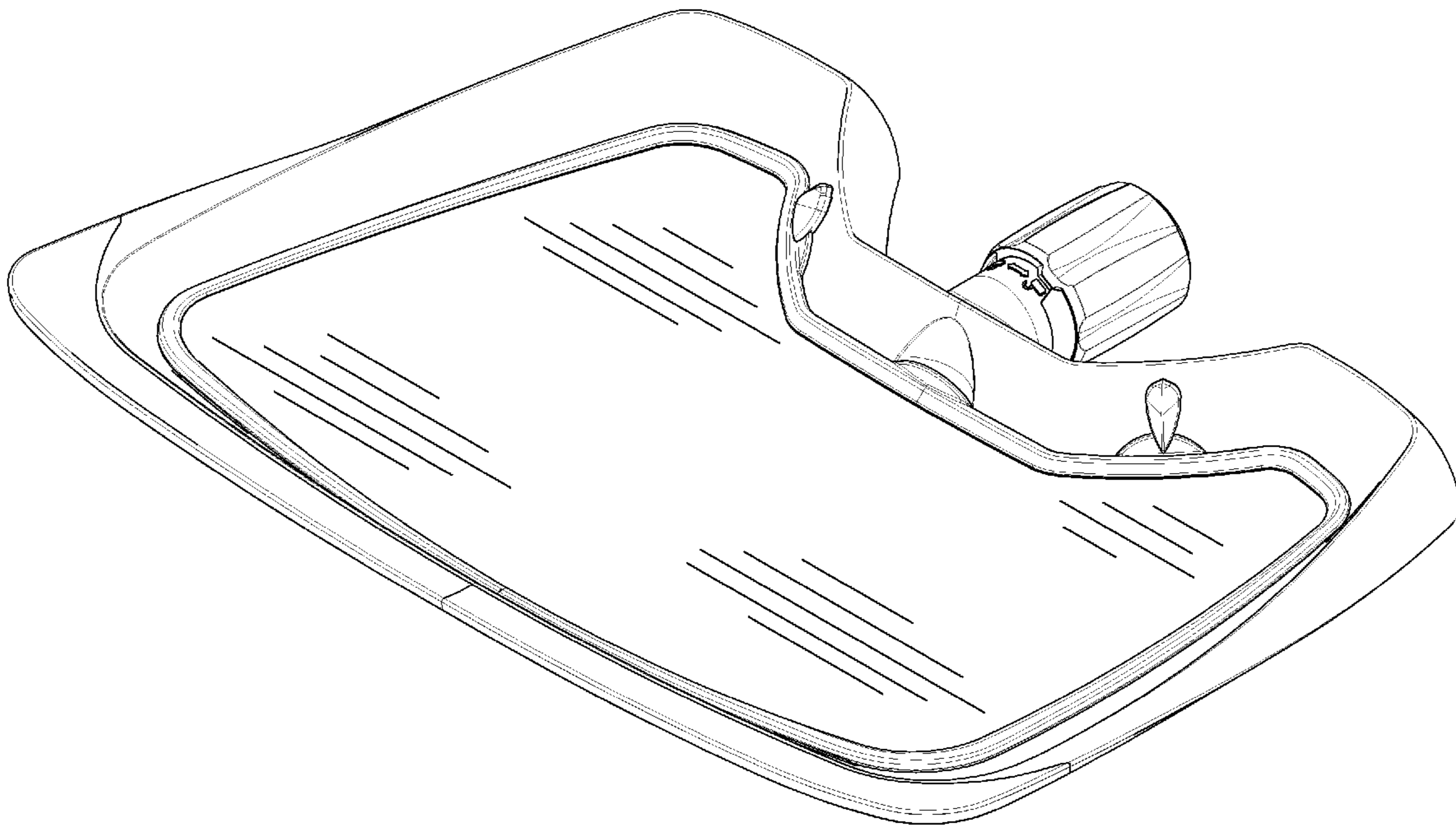


Fig. 1

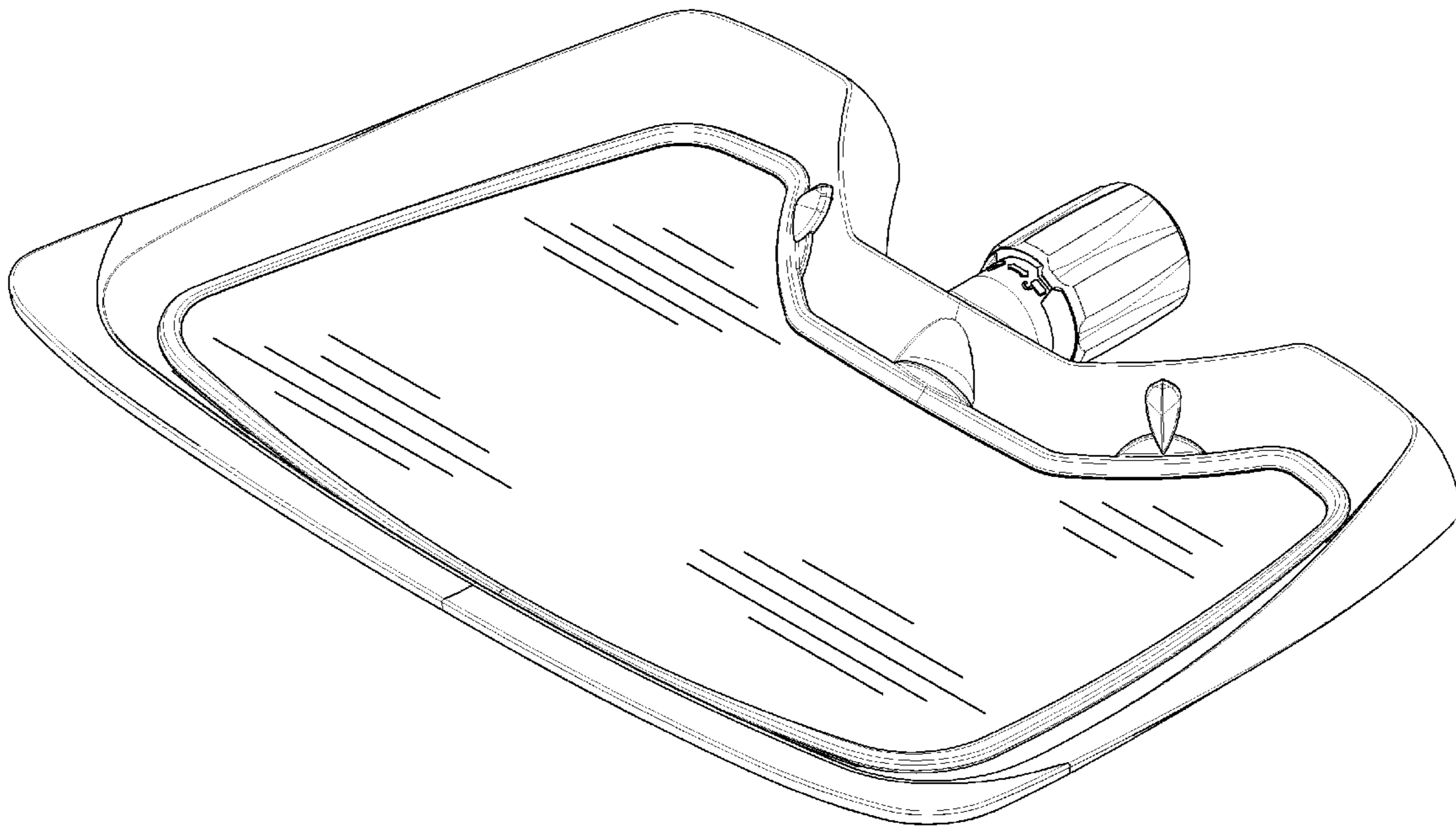


Fig. 2

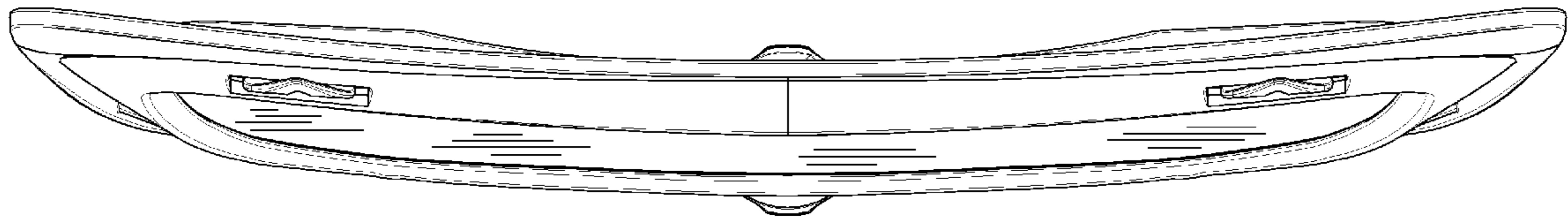


Fig. 3

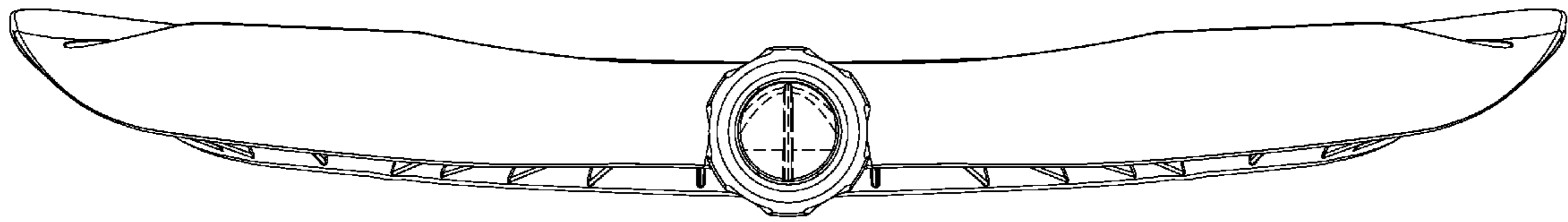


Fig. 4

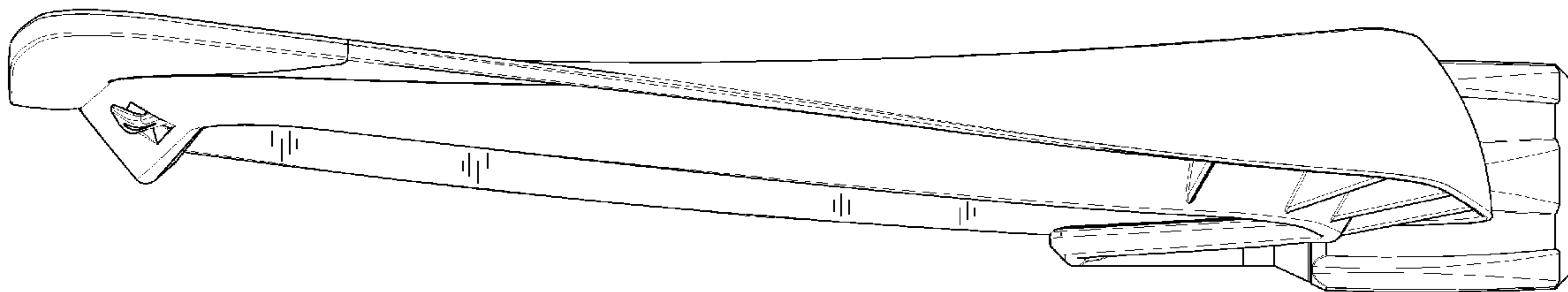


Fig. 5

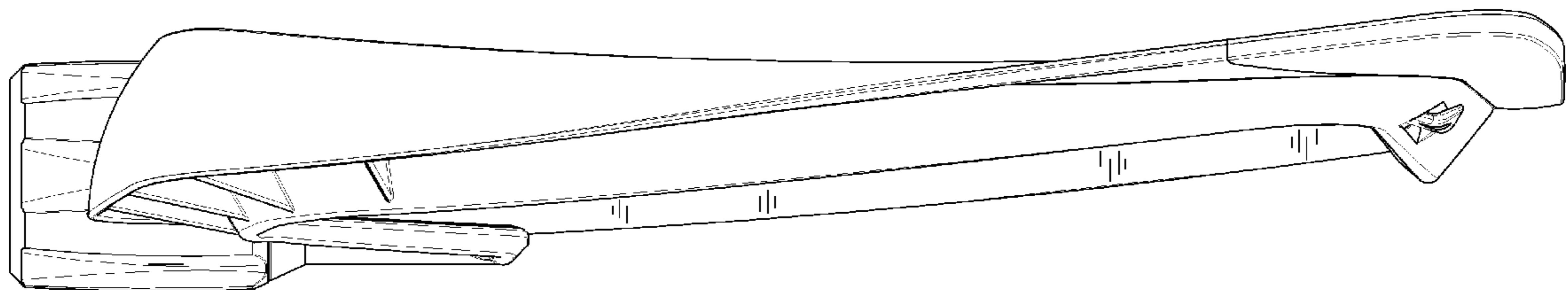


Fig. 6

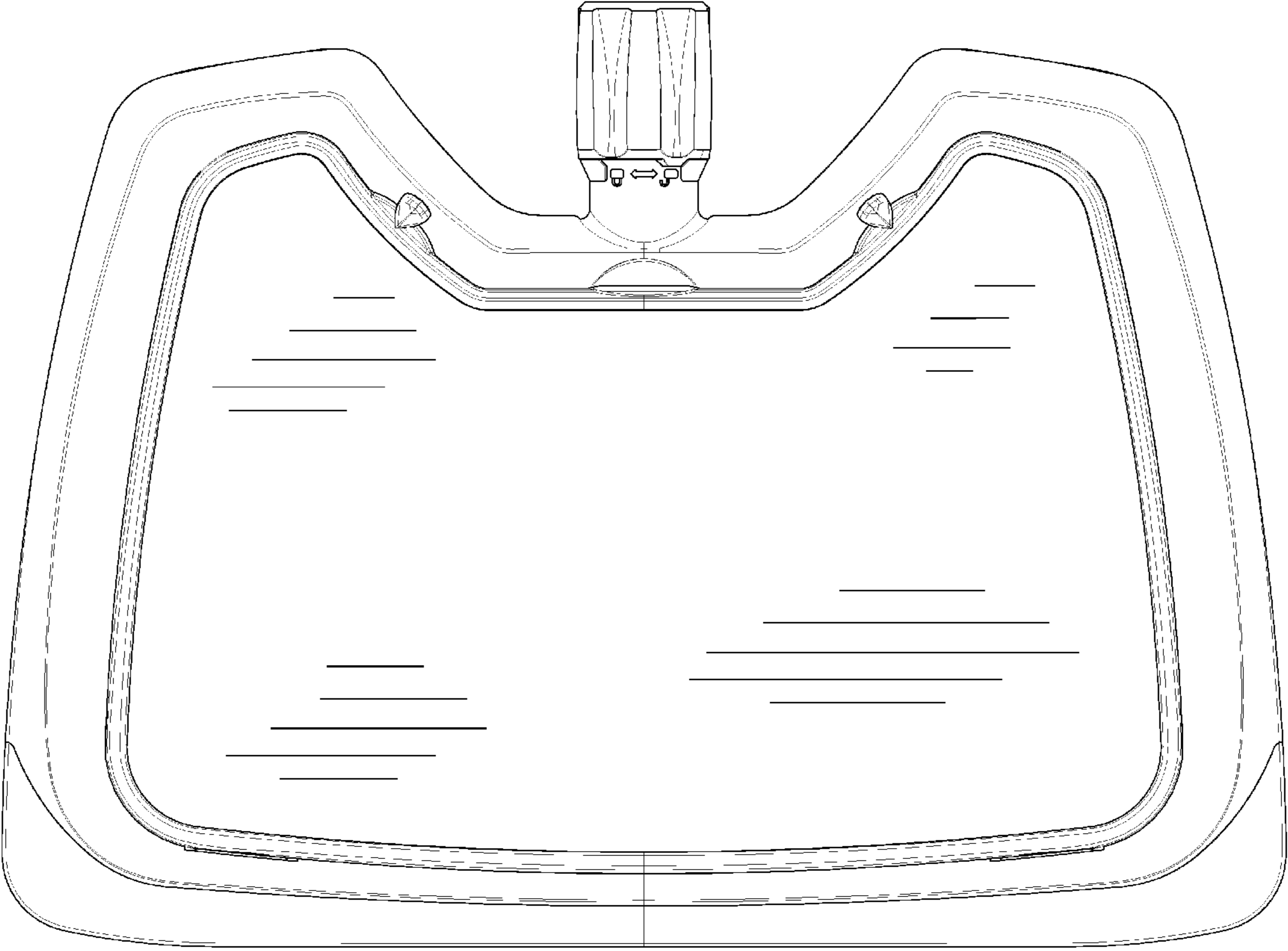


Fig. 7

