



US00D628349S

(12) **United States Design Patent**  
**Selby et al.**

(10) **Patent No.:** **US D628,349 S**  
(45) **Date of Patent:** **\*\* Nov. 30, 2010**

(54) **MULTI SHOPPING CART SANITIZER**

(76) Inventors: **Marvin E. Selby**, 7690 Bellingrath Rd.,  
Lot # 3, Theodore, AL (US) 36582;  
**Nikhil Shah**, 4384 Government Blvd.,  
Mobile, AL (US) 36693

(\*\*) Term: **14 Years**

(21) Appl. No.: **29/315,951**

(22) Filed: **Aug. 10, 2009**

(51) **LOC (9) Cl.** ..... **15-05**  
(52) **U.S. Cl.** ..... **D32/1**  
(58) **Field of Classification Search** ..... D32/1,  
D32/4; 134/23, 45, 61, 72; 15/302, 309.2  
See application file for complete search history.

(56) **References Cited**

U.S. PATENT DOCUMENTS

2,676,600	A *	4/1954	Vani et al.	134/123
D183,162	S *	7/1958	Carter	15/302
D185,397	S *	6/1959	Thompson	D32/4
2,987,067	A *	6/1961	Vani et al.	134/99.2
2,997,048	A *	8/1961	Gertken et al.	134/72
3,370,596	A *	2/1968	Daum et al.	134/45
3,698,029	A	10/1972	Pulliam	
D236,281	S *	8/1975	Hanna	D32/4
D236,282	S *	8/1975	Hanna	D32/4
D314,845	S *	2/1991	Seamster, Jr.	D32/4
5,255,695	A *	10/1993	Downey	134/123
D341,683	S *	11/1993	Angle et al.	D32/1
D392,488	S *	3/1998	Emery et al.	D6/566
D415,863	S *	10/1999	Cote et al.	D32/4
6,090,218	A *	7/2000	Brackmann et al.	134/15

6,427,707	B1 *	8/2002	Morris	134/72
7,258,125	B2	8/2007	Holbrook	
7,346,956	B2 *	3/2008	Andre	15/302
2006/0011220	A1	1/2006	Mueller	
2006/0107486	A1 *	5/2006	Andre	15/302
2008/0178412	A1 *	7/2008	Kiter	15/309.2

\* cited by examiner

*Primary Examiner*—T. Chase Nelson  
*Assistant Examiner*—Kathleen M Sims  
(74) *Attorney, Agent, or Firm*—Paul R. Martin

(57) **CLAIM**

We claim the ornamental design for a multi shopping cart sanitizer, as shown and described..

**DESCRIPTION**

FIG. 1 is a perspective view of the multi shopping cart sanitizer showing our new design.

FIG. 2 is a top plan view of the multi shopping cart sanitizer shown in FIG. 1.

FIG. 3 is a front elevational view of the multi shopping cart sanitizer shown in FIG. 1.

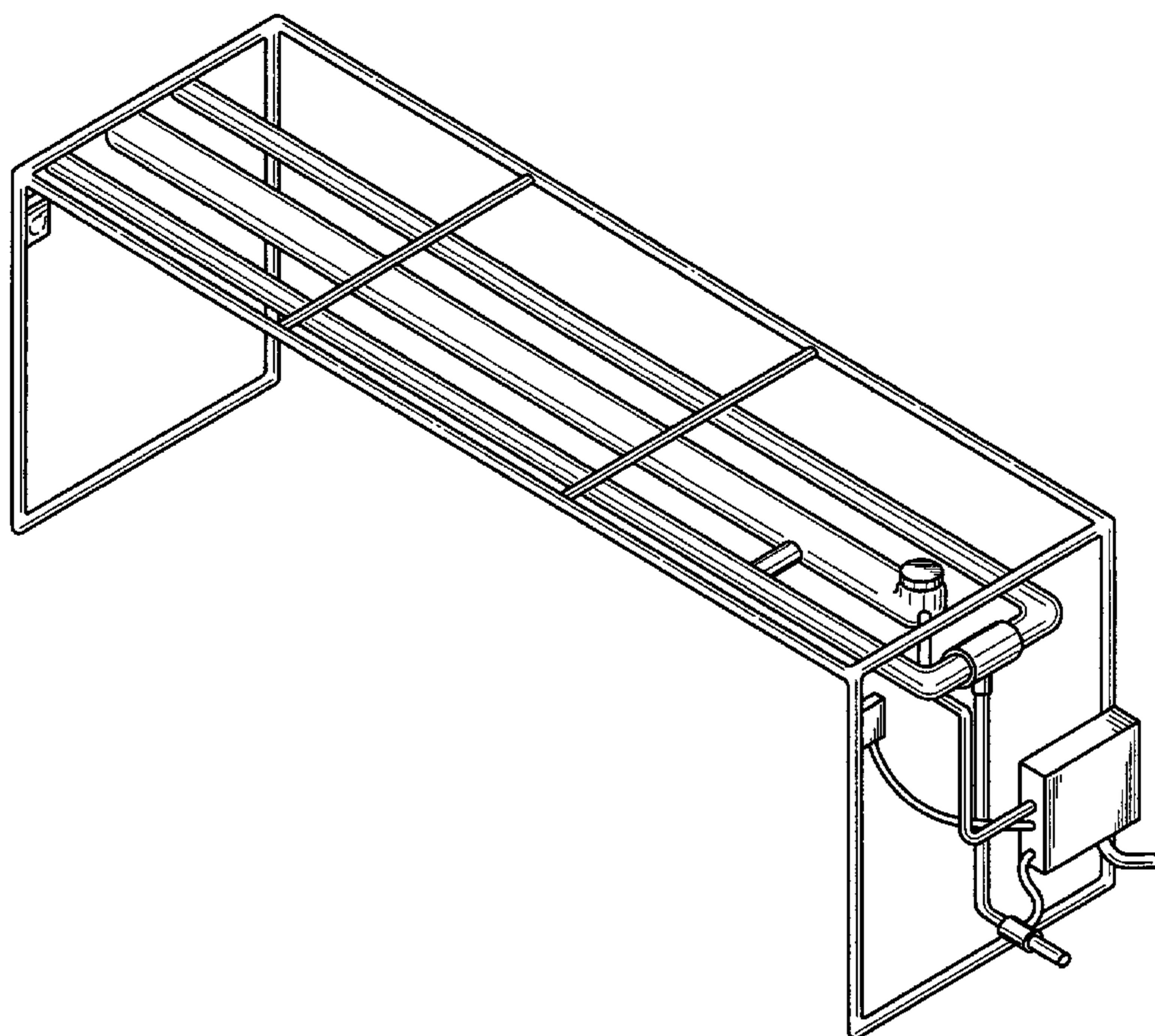
FIG. 4 is a bottom plan view of the multi shopping cart sanitizer shown in FIG. 1.

FIG. 5 is a rear elevational view of the multi shopping cart sanitizer shown in FIG. 1.

FIG. 6. is a right end elevational view of the multi shopping cart sanitizer shown in FIG. 1; and,

FIG. 7 is a left end elevational view of the multi shopping cart sanitizer shown in FIG. 1.

**1 Claim, 4 Drawing Sheets**



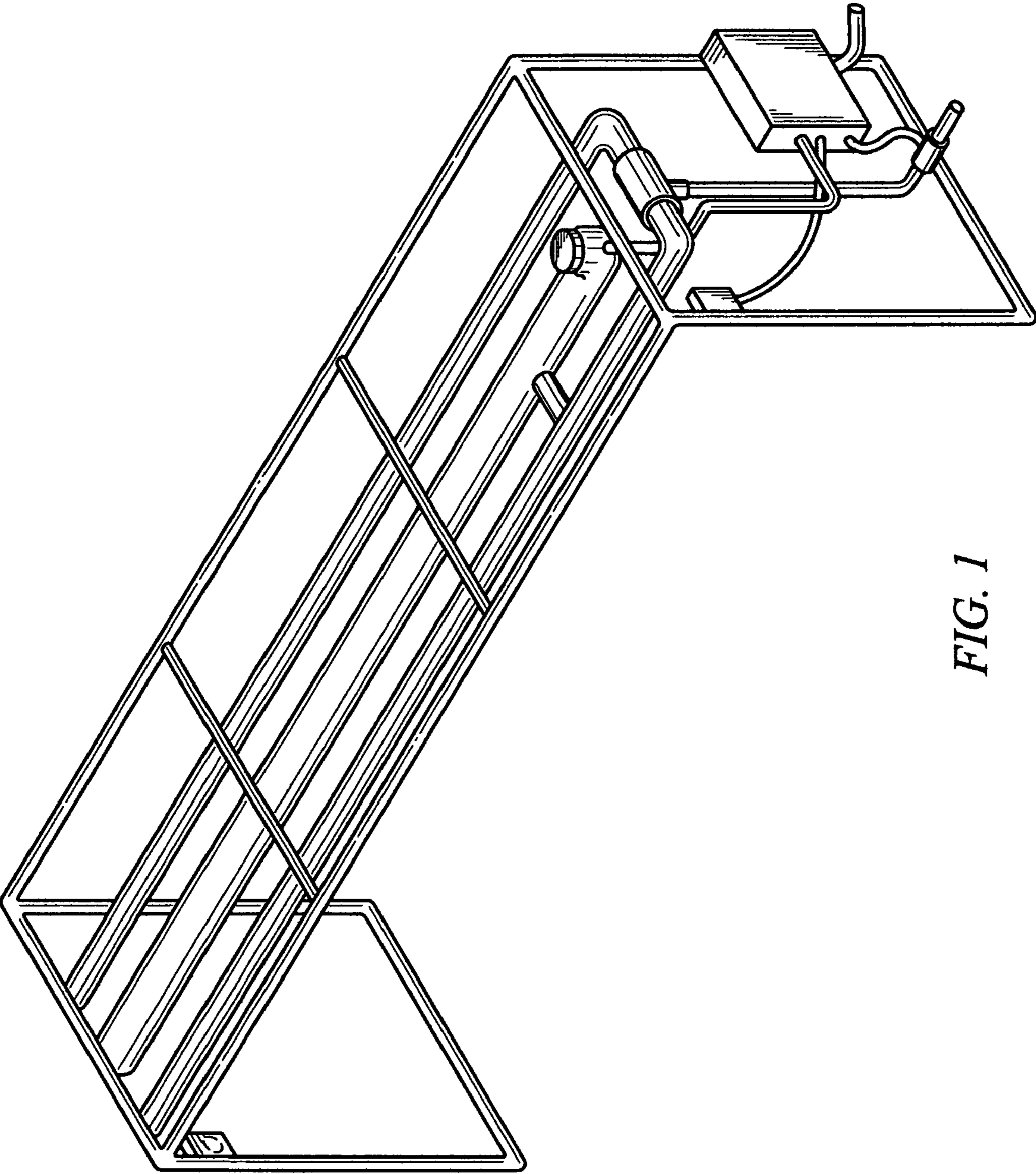


FIG. 1

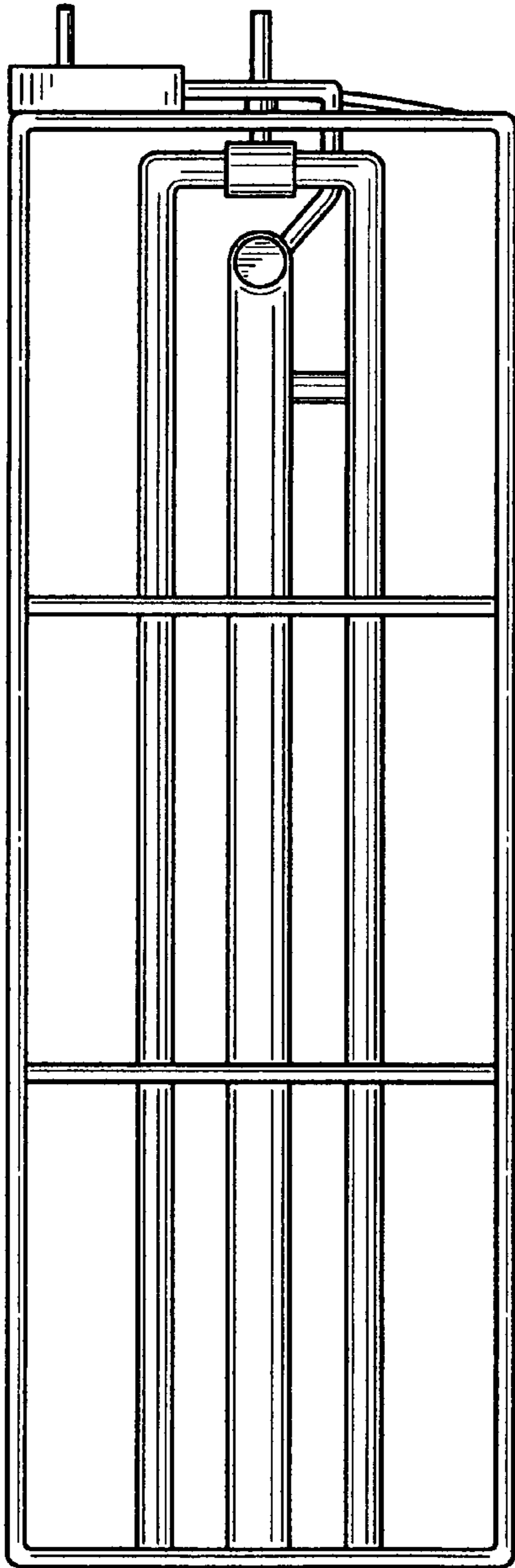


FIG. 2

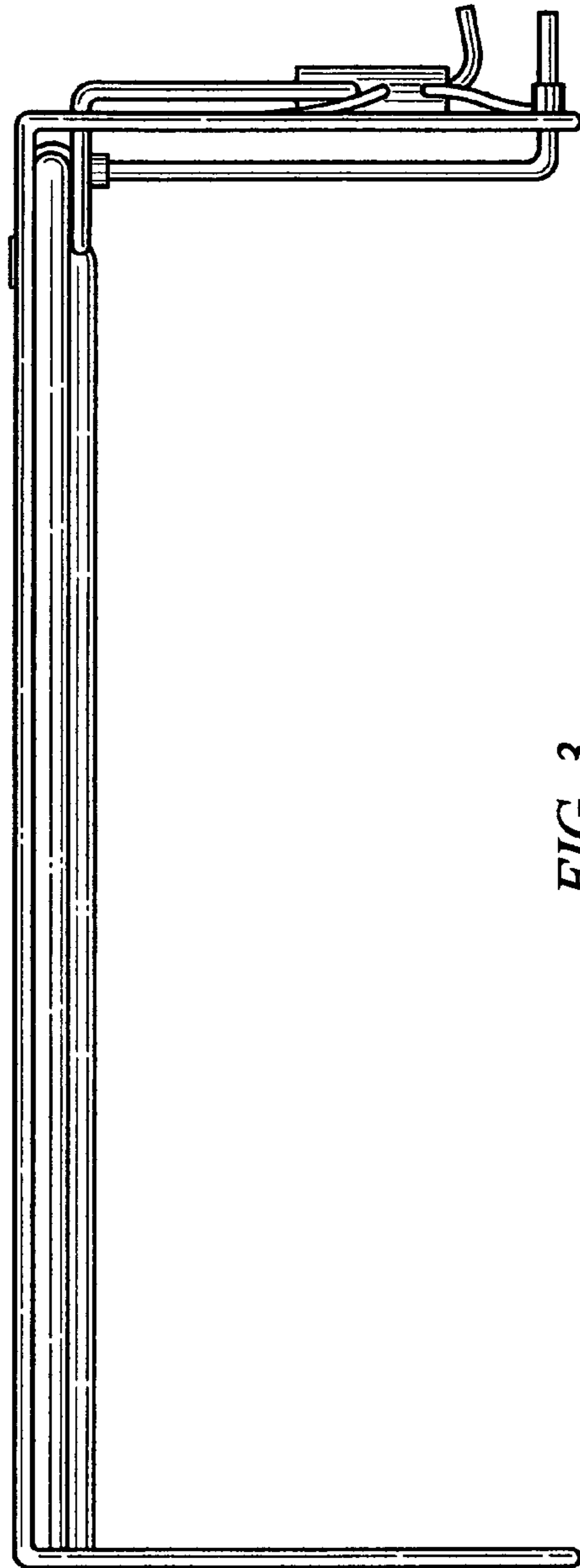


FIG. 3

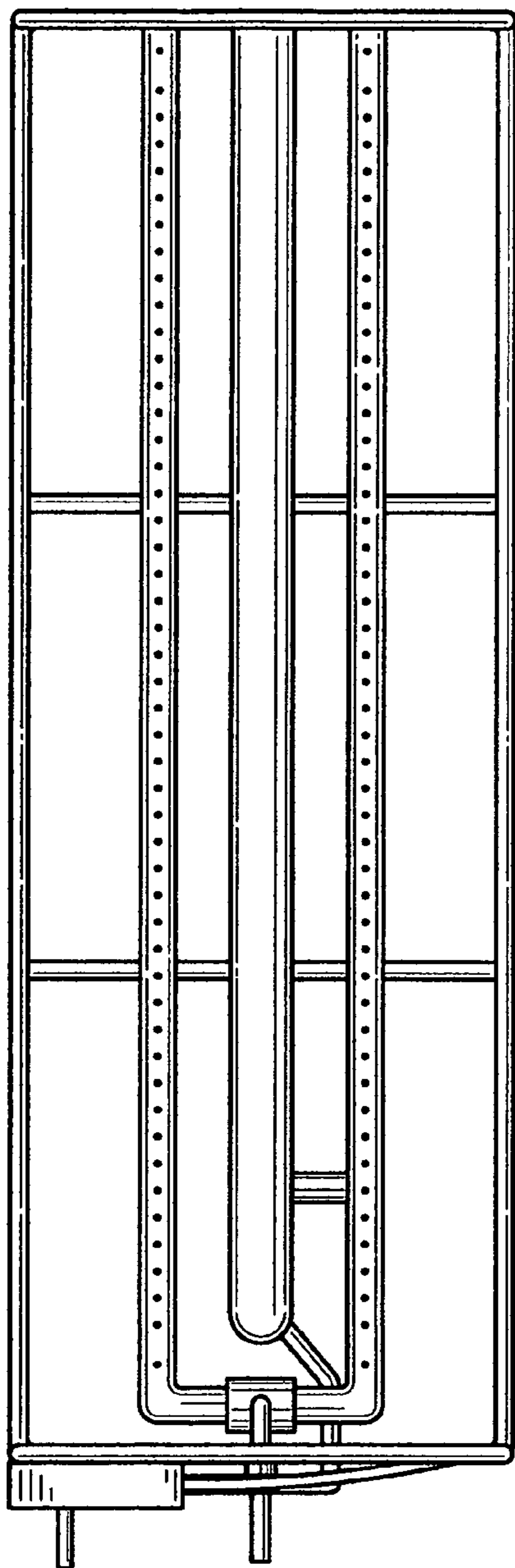


FIG. 4

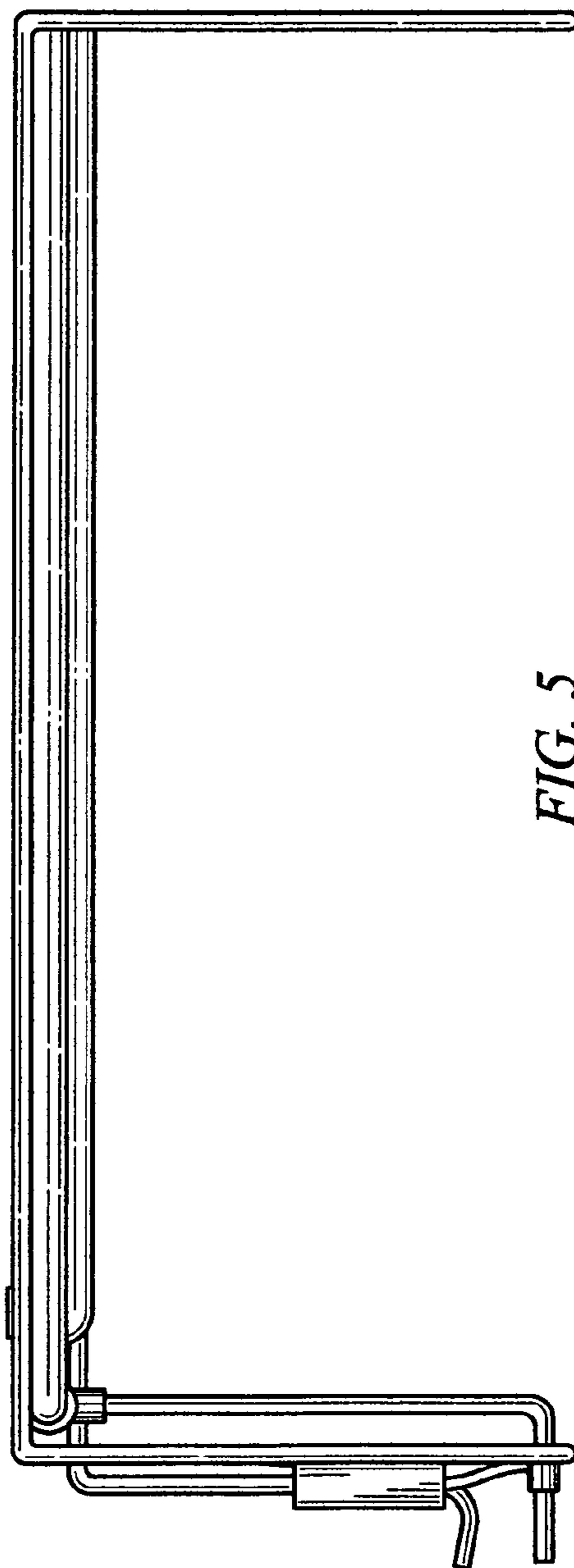
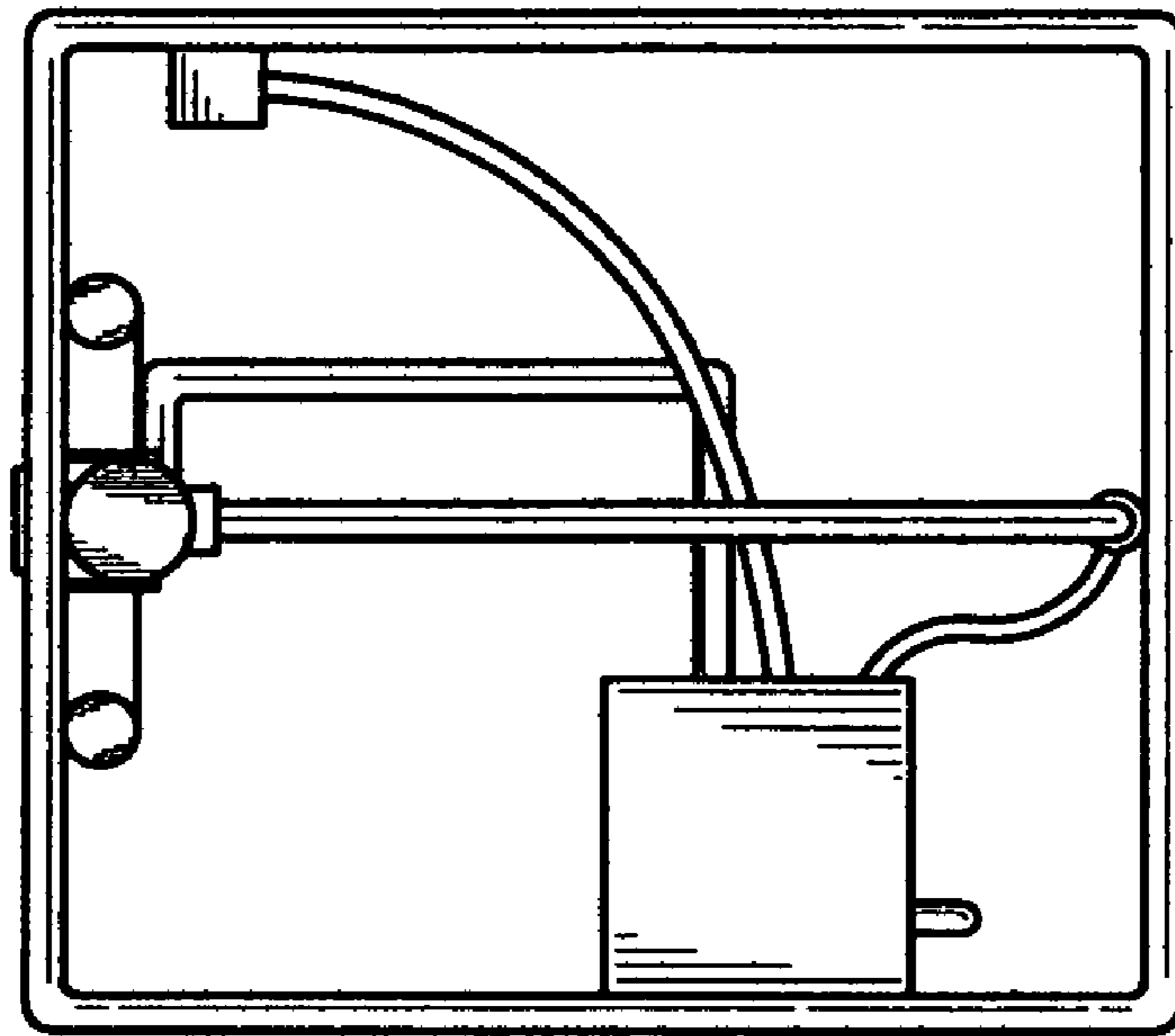
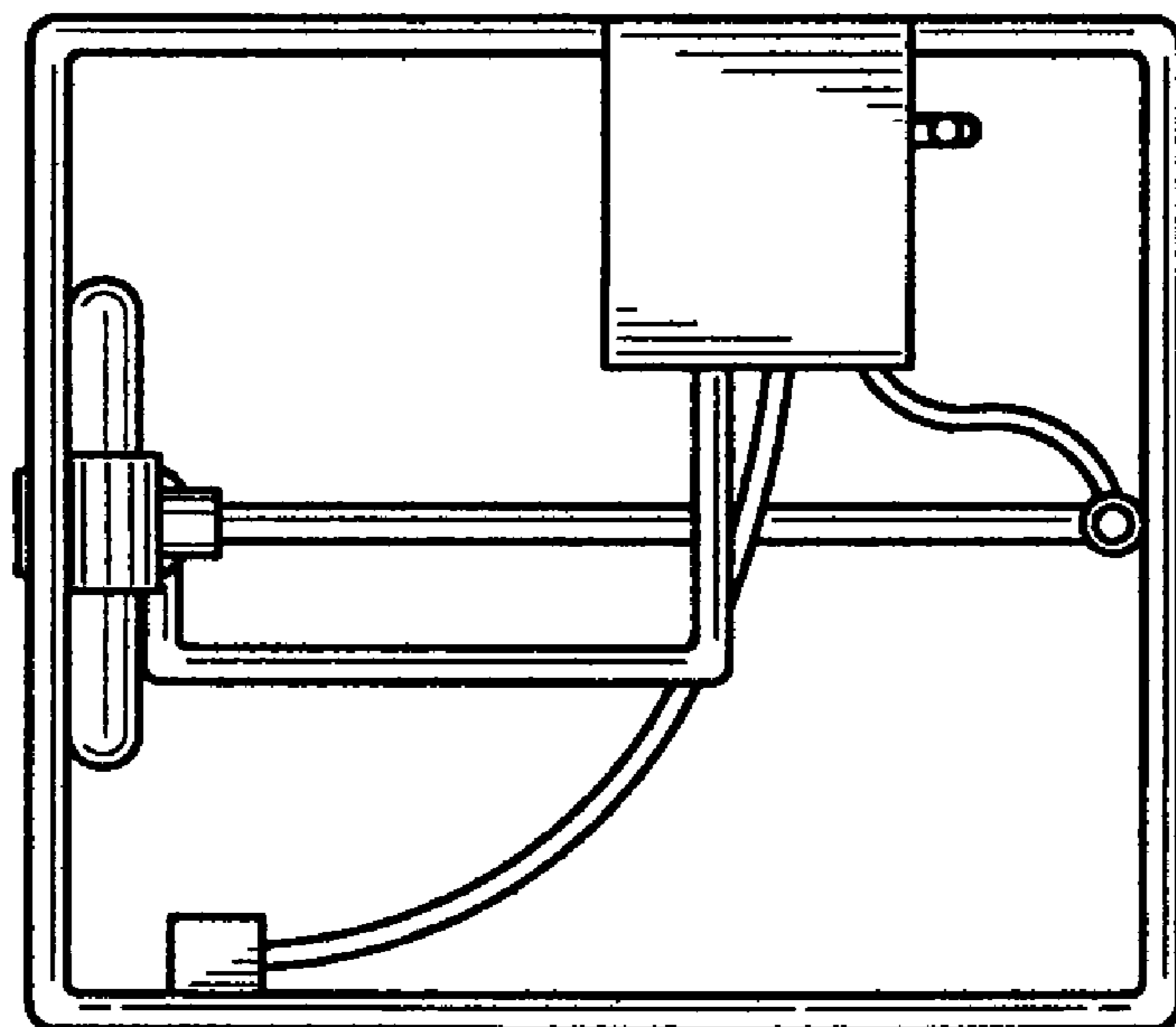


FIG. 5



*FIG. 7*



*FIG. 6*