

US00D628344S

(12) **United States Design Patent**
Raviv

(10) **Patent No.:** **US D628,344 S**

(45) **Date of Patent:** **** Nov. 30, 2010**

(54) **HELICAL FACIAL-HAIR REMOVAL SPRING**

(76) **Inventor:** **Eynav Raviv**, 42nd Street Astoria, New York, NY (US) 11103

(**) **Term:** **14 Years**

(21) **Appl. No.:** **29/311,825**

(22) **Filed:** **Jul. 6, 2009**

(51) **LOC (9) Cl.** **28-03**

(52) **U.S. Cl.** **D28/44.1; D24/133**

(58) **Field of Classification Search** D28/55,
D28/44.1; 294/99.2; 606/210-211, 133,
606/131; D24/143, 133

See application file for complete search history.

(56) **References Cited**

U.S. PATENT DOCUMENTS

4,807,624 A * 2/1989 Gross et al. 606/133

D314,247 S * 1/1991 Amit D28/44.1
2002/0128664 A1 * 9/2002 Moghadam 606/133
2004/0249390 A1 * 12/2004 Dovas et al. 606/133

* cited by examiner

Primary Examiner—Jennifer Rivard

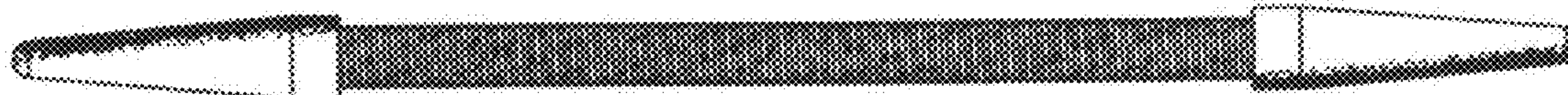
(57) **CLAIM**

The ornamental design for a helical facial-hair removal spring, as shown and described.

DESCRIPTION

FIG. 1 is a left-side view of the new design;
FIG. 2 is a right-side view of the new design;
FIG. 3 is a front side view of the new design; and,
FIG. 4 is a back side view of the new design.

1 Claim, 1 Drawing Sheet



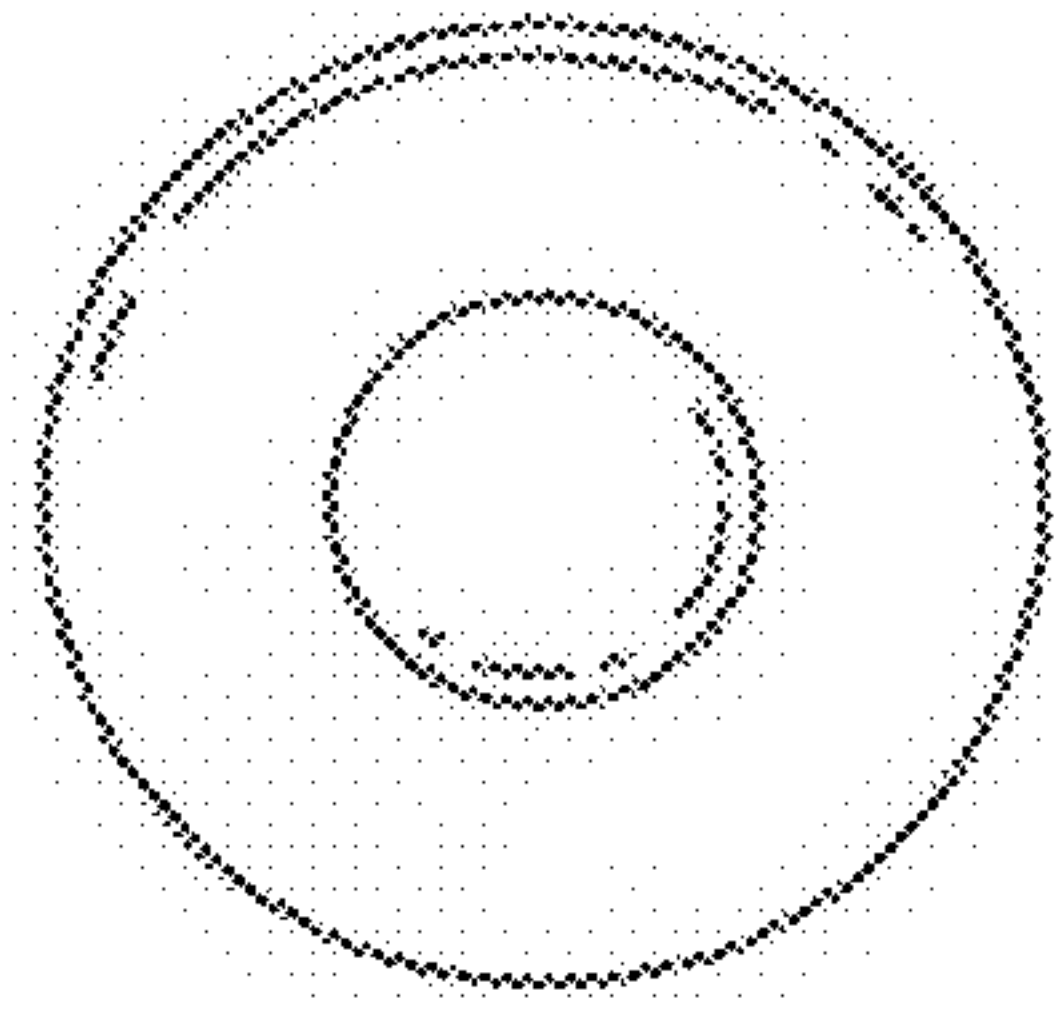


FIG. 1

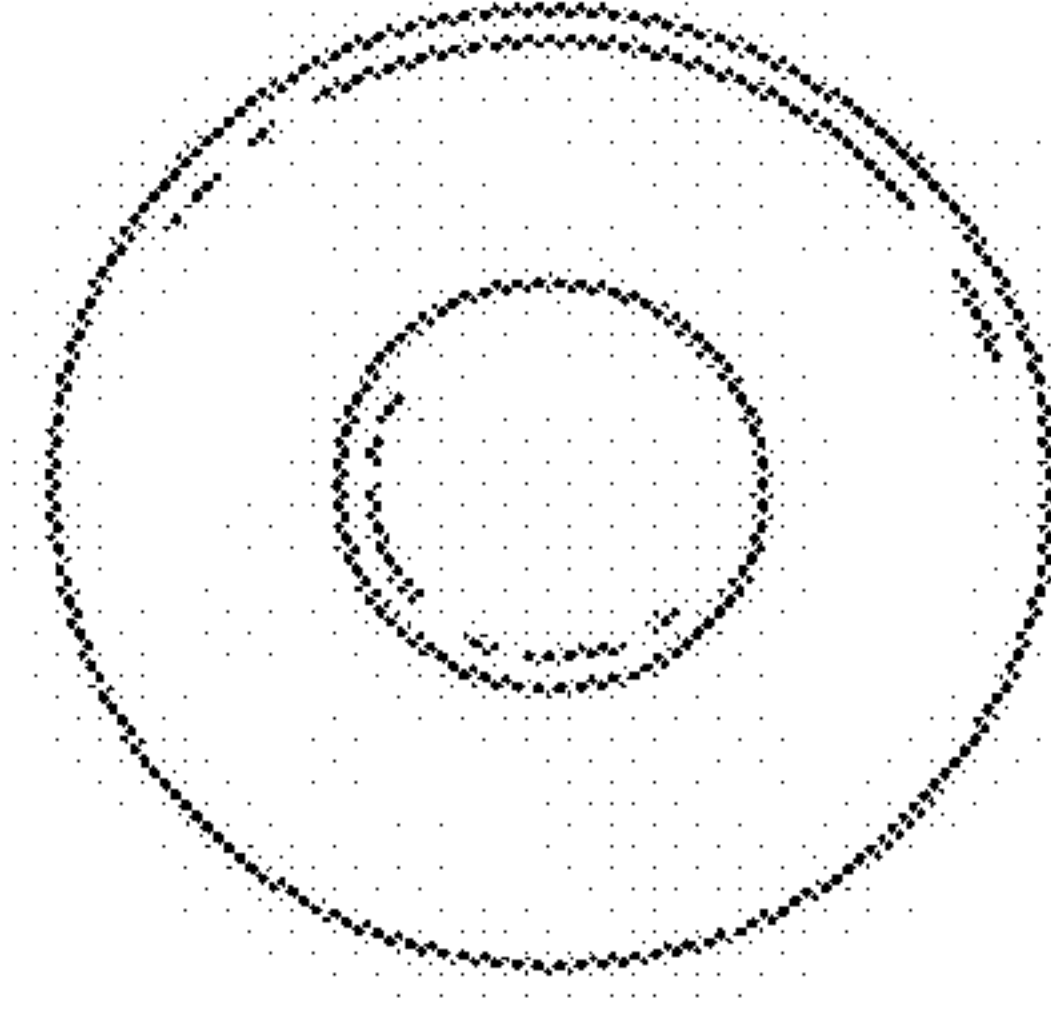


FIG. 2

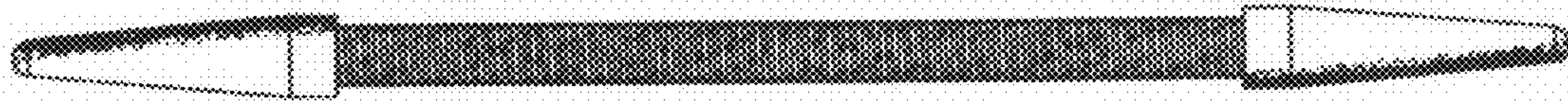


FIG. 3

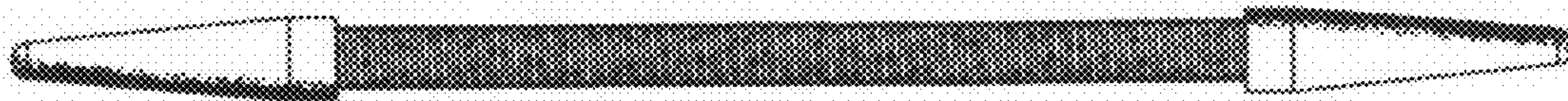


FIG. 4