



US00D628343S

(12) **United States Design Patent**
Eigenstetter

(10) **Patent No.:** **US D628,343 S**

(45) **Date of Patent:** **** Nov. 30, 2010**

(54) **INFRARED RADIATION DRYER**

(75) Inventor: **Bernd Eigenstetter**, München (DE)

(73) Assignee: **Wella Aktiengesellschaft**, Darmstadt (DE)

(**) Term: **14 Years**

(21) Appl. No.: **29/326,389**

(22) Filed: **Oct. 16, 2008**

(30) **Foreign Application Priority Data**

Apr. 17, 2008 (DE) 402008001908

(51) **LOC (9) Cl.** **28-03**

(52) **U.S. Cl.** **D28/19**

(58) **Field of Classification Search** D28/12-19;
34/96-101; 392/380-385; 219/222
See application file for complete search history.

(56) **References Cited**

U.S. PATENT DOCUMENTS

235,383 A	12/1880	Rowland	
1,790,283 A	1/1931	Pickard	
1,883,972 A	10/1932	Kunian et al.	
1,998,198 A	4/1935	Leland	
3,004,540 A	10/1961	Ronzi	
3,108,862 A	10/1963	Toulmin	
D203,918 S *	2/1966	Nawroth D28/19
3,650,041 A	3/1972	Strzelczyk	
3,717,936 A	2/1973	Tolmie et al.	
D232,490 S	8/1974	Waters et al.	
D234,677 S	4/1975	Hubner	
D247,379 S	2/1978	Hashino	
4,314,138 A	2/1982	Itoh	
4,352,248 A	10/1982	Kobayashi	
D268,369 S	3/1983	McBrien	
D280,338 S	8/1985	Skarsten	
4,541,442 A	9/1985	Hollmann et al.	
4,553,339 A	11/1985	Rigo	
D283,259 S	4/1986	Stansbury	
4,691,451 A	9/1987	Giorgis	
4,910,382 A	3/1990	Kakuya et al.	

4,914,273 A	4/1990	Matsui
4,972,065 A	11/1990	Ohlsen
D321,411 S	11/1991	Moll
5,063,688 A	11/1991	Moll et al.
5,231,770 A	8/1993	Fertig
D339,880 S	9/1993	Greubel
5,560,131 A	10/1996	Gibson

(Continued)

FOREIGN PATENT DOCUMENTS

DE 1 042 194 10/1958

(Continued)

OTHER PUBLICATIONS

Notice of Allowance issued in U.S. Appl. No. 29/307,393, mailed Jun. 25, 2009.

(Continued)

Primary Examiner—Janice E Seeger
Assistant Examiner—Zenia I Bennett
(74) *Attorney, Agent, or Firm*—DLA Piper LLP US

(57) **CLAIM**

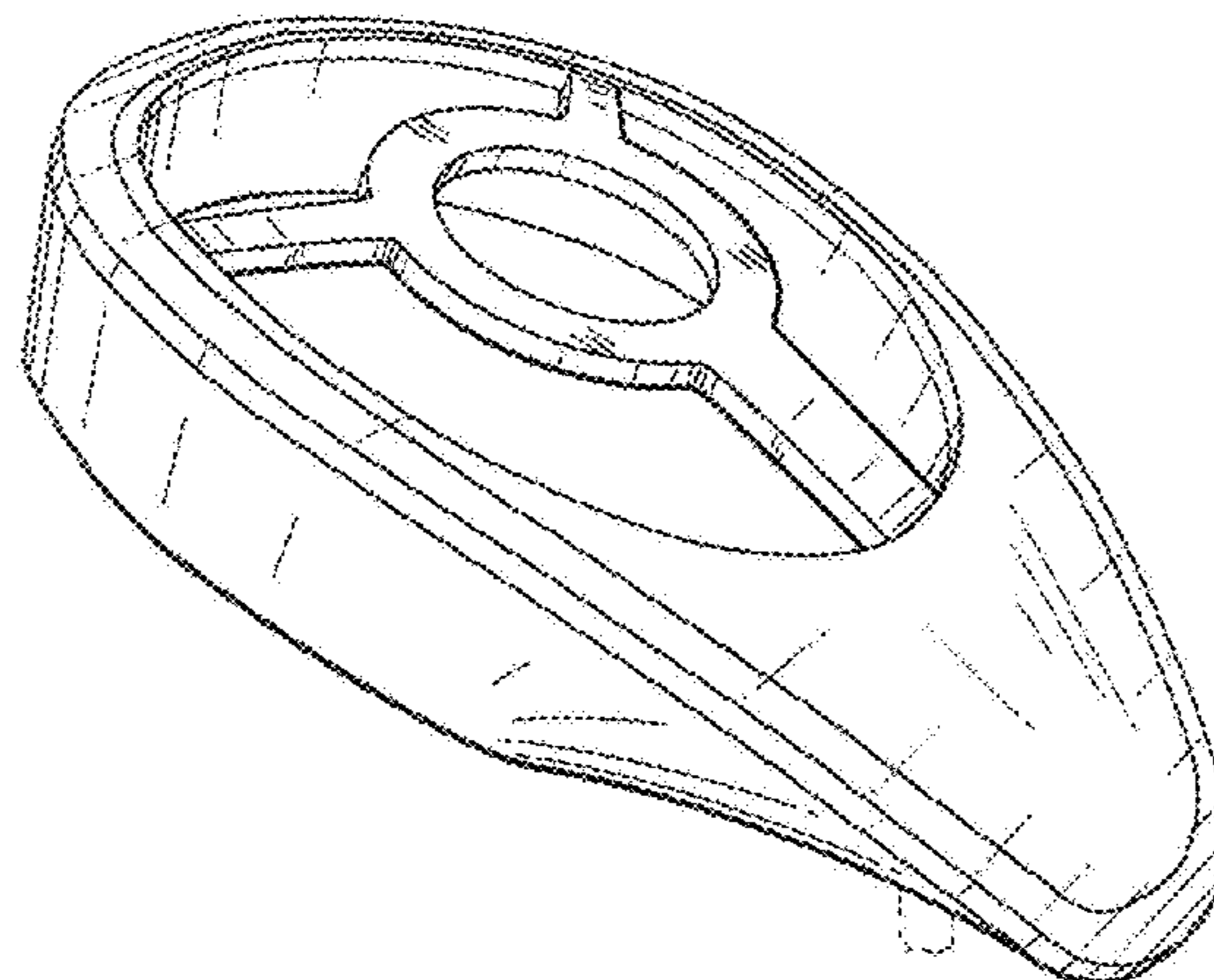
The ornamental design for an infrared radiation dryer, as shown and described.

DESCRIPTION

FIG. 1 is a right side elevational view of an infrared radiation dryer showing my new design;
FIG. 2 is a left side elevational view;
FIG. 3 is a top plan view;
FIG. 4 is a bottom plan view;
FIG. 5 is a front elevational view;
FIG. 6 is a rear elevational view; and,
FIG. 7 is a perspective view.

Note that any broken line illustration of environmental structure in the drawing is not part of the design sought to be patented.

1 Claim, 4 Drawing Sheets



US D628,343 S

Page 2

U.S. PATENT DOCUMENTS

D413,409 S 8/1999 Williams
D425,243 S 5/2000 Mattis
D425,662 S 5/2000 Cheung
D425,665 S 5/2000 Kling et al.
D430,349 S 8/2000 Mattis
D432,716 S 10/2000 Goetschi
D455,227 S 4/2002 Micinilio
6,389,710 B1 5/2002 Chou
6,442,340 B1 8/2002 Shimizu
6,457,254 B2* 10/2002 Sahm 34/96
D468,483 S 1/2003 Minami
D468,862 S 1/2003 Barski
D473,013 S 4/2003 Patzak
D473,341 S 4/2003 Bokelman-Dumas
D474,562 S 5/2003 Shimizu
D477,111 S 7/2003 Zimmermann
6,606,800 B2 8/2003 Anthes et al.
6,651,674 B2 11/2003 Ozaki et al.
D494,710 S 8/2004 Parodi
D501,061 S 1/2005 Patzak
D508,585 S 8/2005 Moore
D527,490 S 8/2006 Patzak
D528,698 S 9/2006 Rizzuto, Jr.
D544,645 S 6/2007 Ceva

D559,443 S 1/2008 Smith et al.

FOREIGN PATENT DOCUMENTS

DE 40101549.1 2/2001
DE 40302917.1 4/2003
WO DM/033 406 2/1995

OTHER PUBLICATIONS

Modern Beauty Shop, Mar. 1958, p. 111, "Wellapr Steam Activator" hair Steamed.
Hong Kong Enterprise, Jun. 1996, p. 161, hair dryer MCIL-9508, item A.
Notice of Allowance mailed Dec. 24, 2002 in related U.S. Appl. No. 29/166,263.
Office Action mailed Sep. 10, 2003 in related U.S. Appl. No. 29/182,983.
Notice of Allowance mailed Aug. 5, 2002 in related U.S. Appl. No. 29/160,885.
Ex Parte Quayle issued in U.S. Appl. No. 29/307,393 mailed Oct. 1, 2008.
Office Action issued in U.S. Appl. No. 29/288,030 mailed Oct. 16, 2008.
Office Action issued in U.S. Appl. No. 29/288,026 mailed Oct. 21, 2008.

* cited by examiner

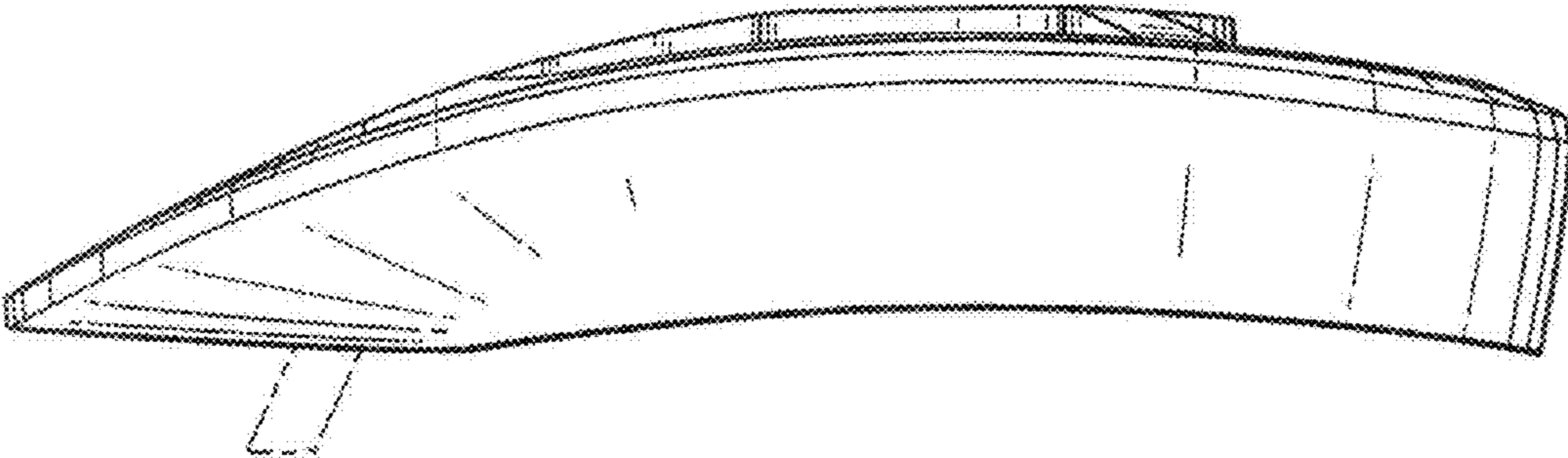


Fig. 1

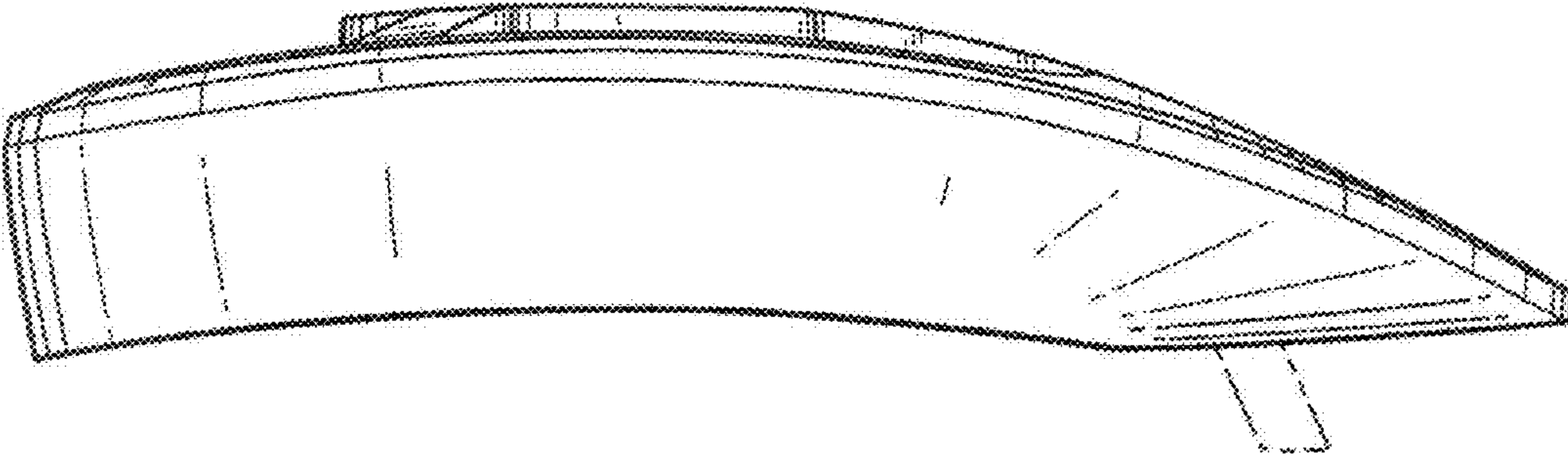


Fig. 2

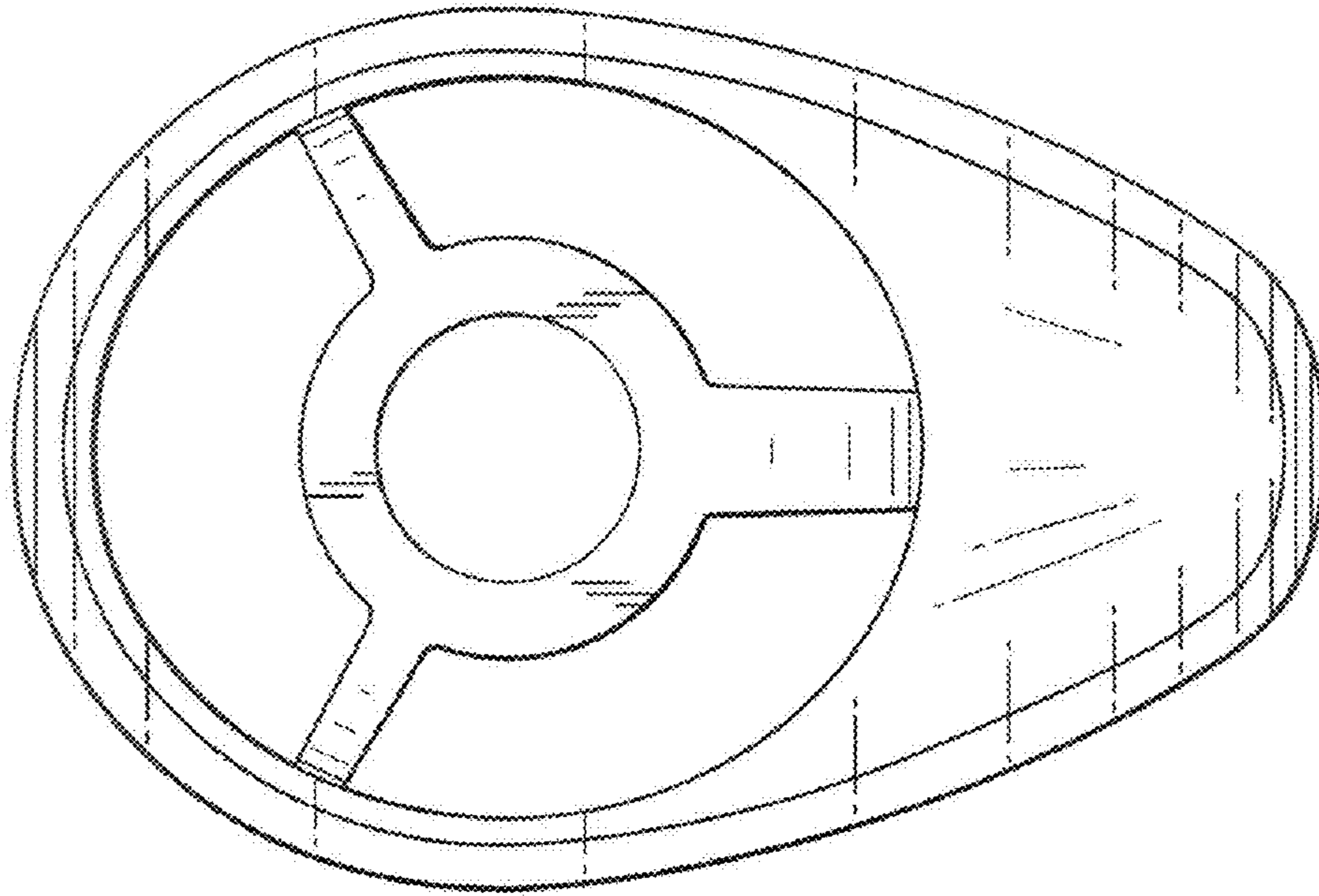


Fig. 3

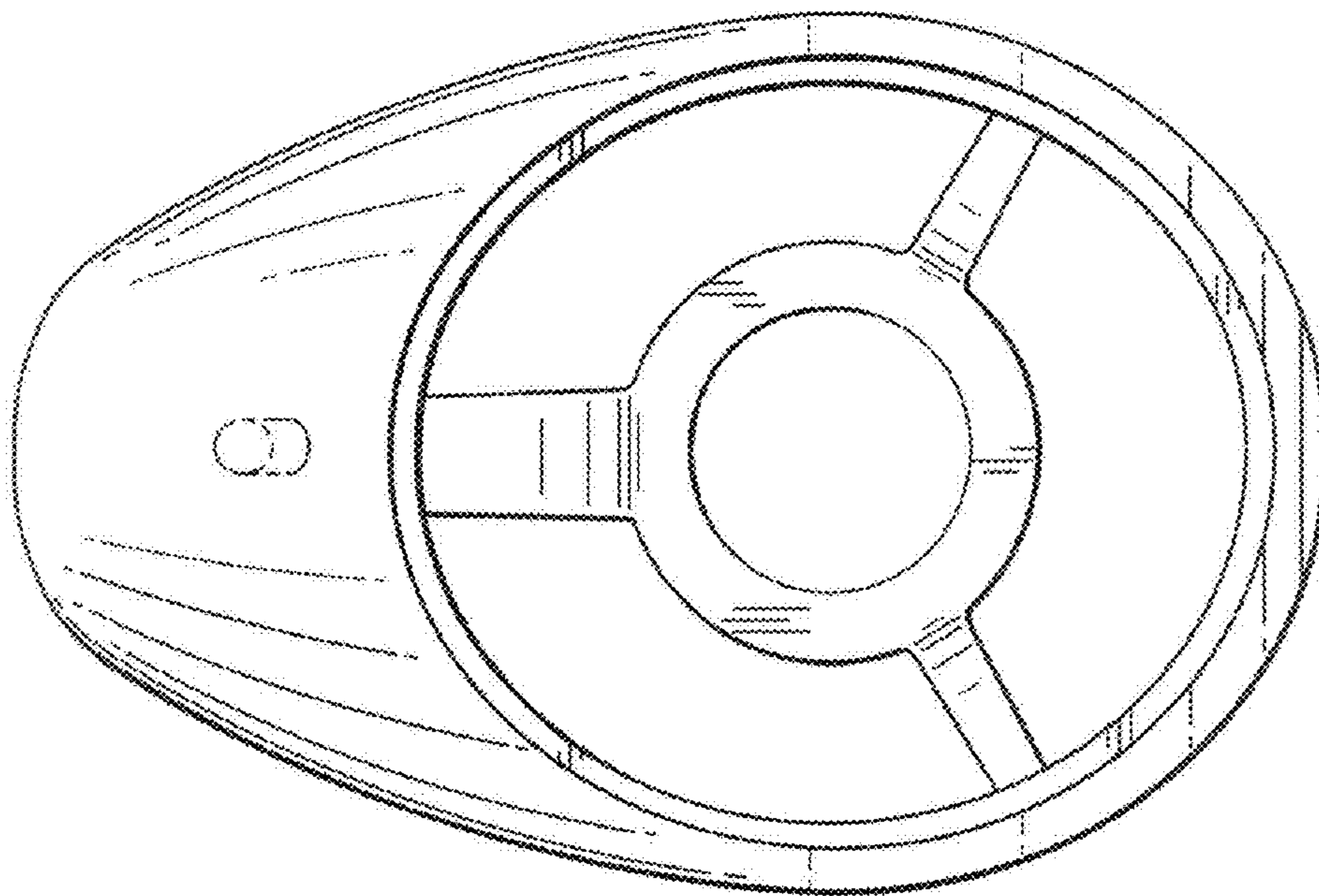


Fig. 4

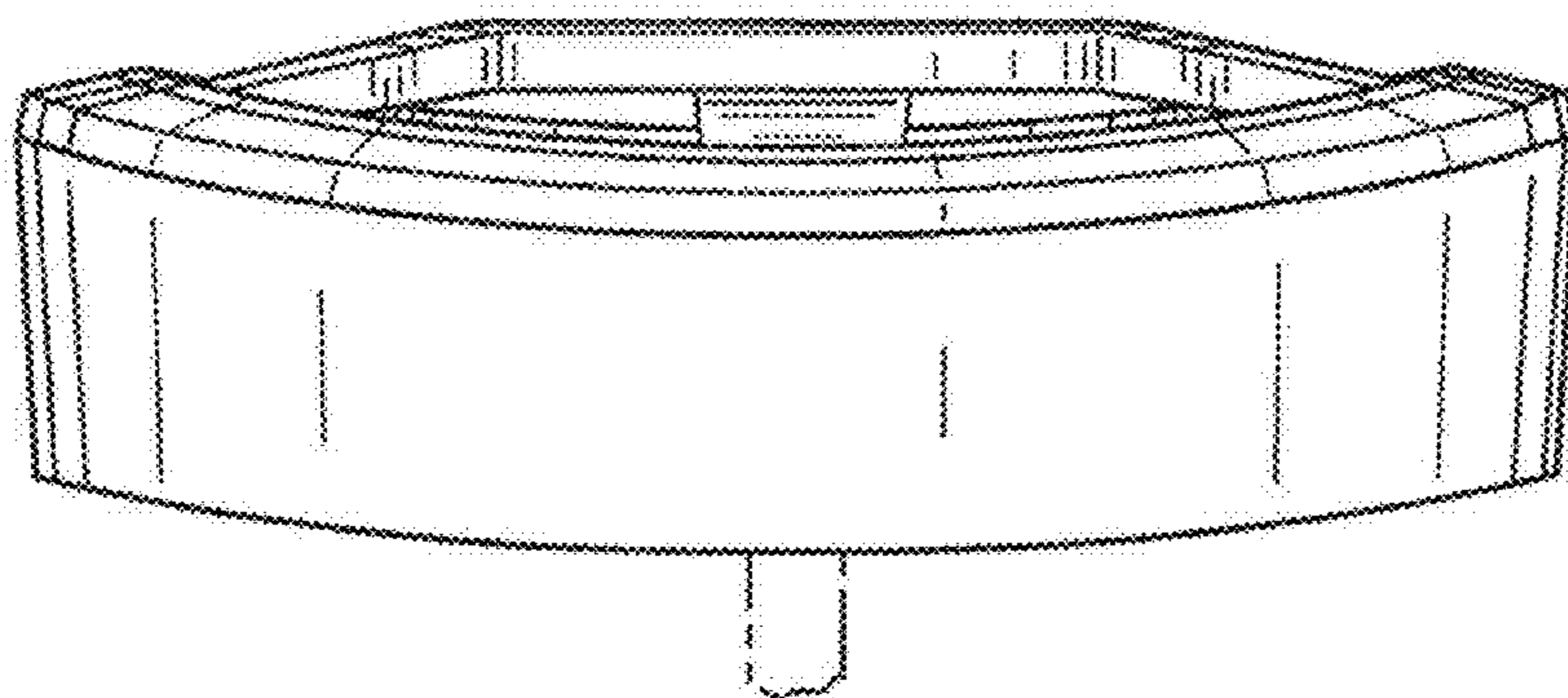


Fig. 5

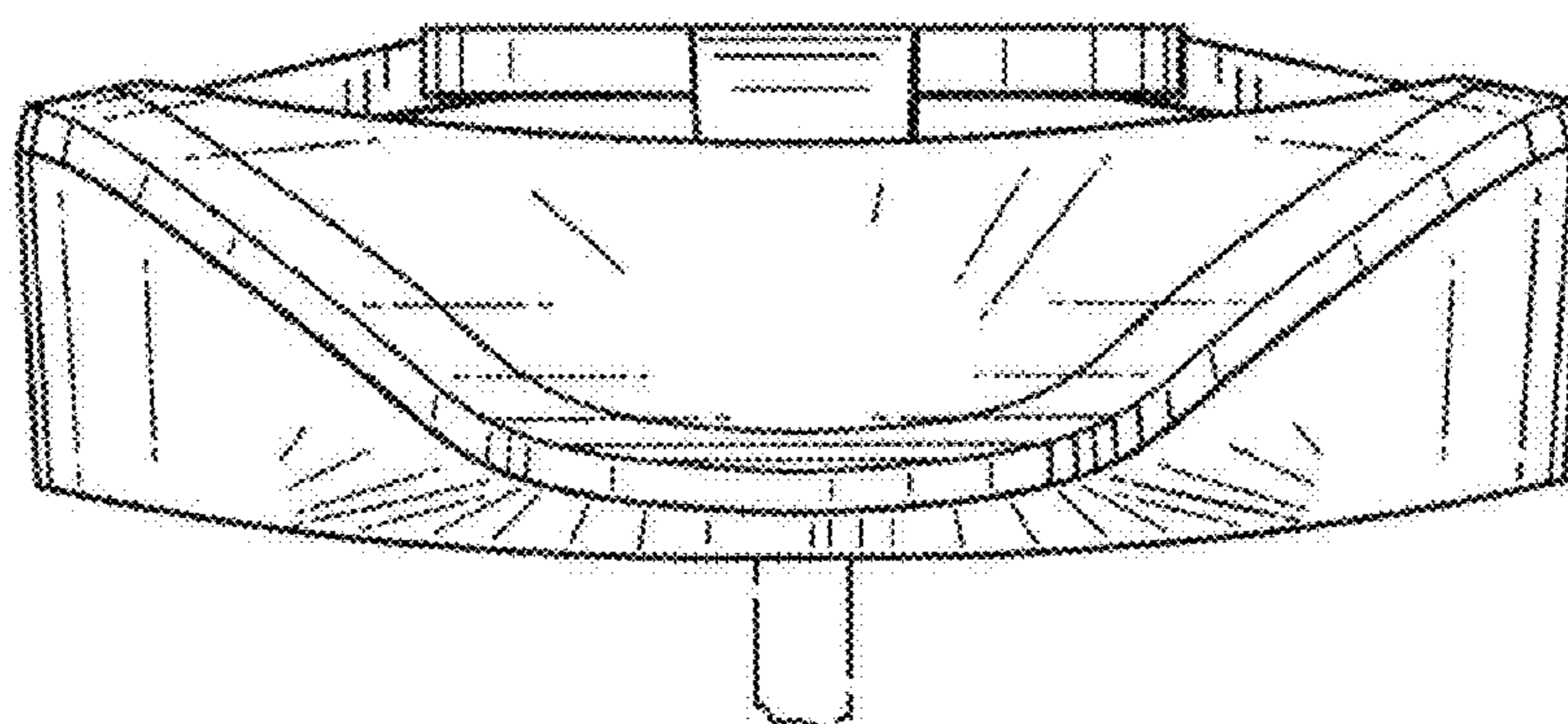


Fig. 6

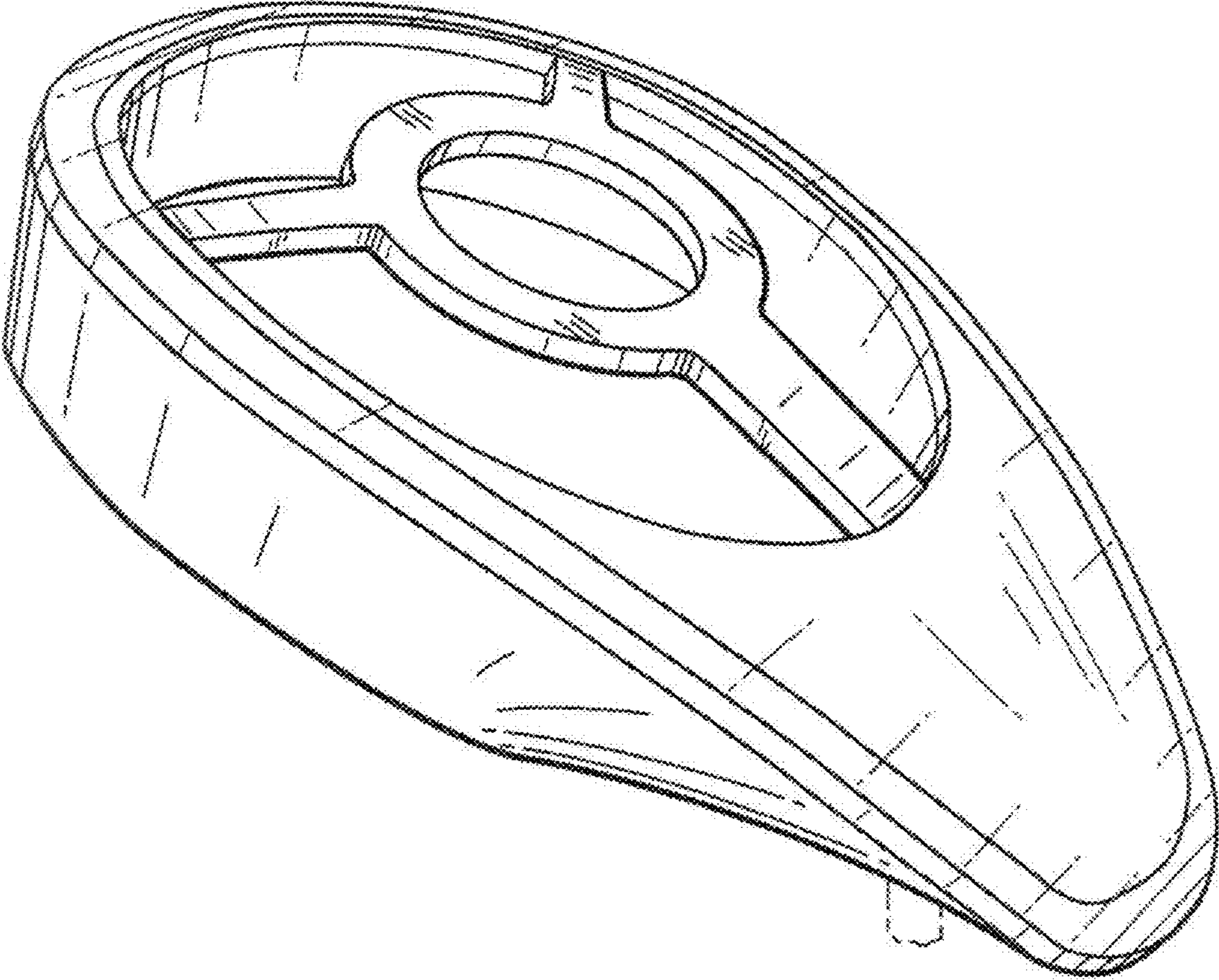


Fig. 7