



US00D628342S

(12) **United States Design Patent**  
**Saravis**

(10) **Patent No.:** **US D628,342 S**

(45) **Date of Patent:** **\*\* Nov. 30, 2010**

(54) **SOLAR ILLUMINATION DEVICE**

D600,200 S \* 9/2009 Dimov et al. .... D13/102

(76) Inventor: **Darren Saravis**, 1332 Gladys Ave.,  
Long Beach, CA (US) 90804

\* cited by examiner

(\*\*) Term: **14 Years**

*Primary Examiner*—Cathron C Brooks

*Assistant Examiner*—Kevin K Rudzinski

(21) Appl. No.: **29/362,776**

(74) *Attorney, Agent, or Firm*—The Eclipse Group LLP

(22) Filed: **May 29, 2010**

(57) **CLAIM**

(51) **LOC (9) Cl.** ..... **26-99**

I claim the ornamental design for a solar illumination device,  
as shown and described.

(52) **U.S. Cl.** ..... **D26/155**

**DESCRIPTION**

(58) **Field of Classification Search** ..... D26/101,  
D26/155, 68, 67, 142, 81, 128, 124, 118,  
D26/85, 86, 74, 87, 88, 76, 61, 70, 72, 102,  
D26/120, 138, 140; D11/157, 117, 131,  
D11/141; D13/102, 180; 52/173.3; 362/362,  
362/375, 294, 555, 563, 564, 147, 285, 290,  
362/292, 330, 331, 351, 363, 410, 417, 800,  
362/805

FIG. 1 is an illustration of a top perspective view of the solar  
illumination device.

FIG. 2 is side elevation illustrating the left side of the solar  
illumination device.

FIG. 3 is a side elevation illustrating the right side of the solar  
illumination device.

FIG. 4 is a back elevation view of the solar illumination  
device.

FIG. 5 is a front elevation view of the solar illumination  
device.

FIG. 6 is a top view of the solar illumination device.

FIG. 7 is a bottom view of the solar illumination device.

FIG. 8 is a front perspective view of the solar illumination  
device mounted on a support.

FIG. 9 is a side view illustrating the left side of solar illumi-  
nation device mounted on a support; and,

FIG. 10 is a side view illustrating the right side of the solar  
illumination device mounted on a support.

In the drawings, broken lines depict environment or  
unclaimed subject matter only and form no part of the claimed  
design.

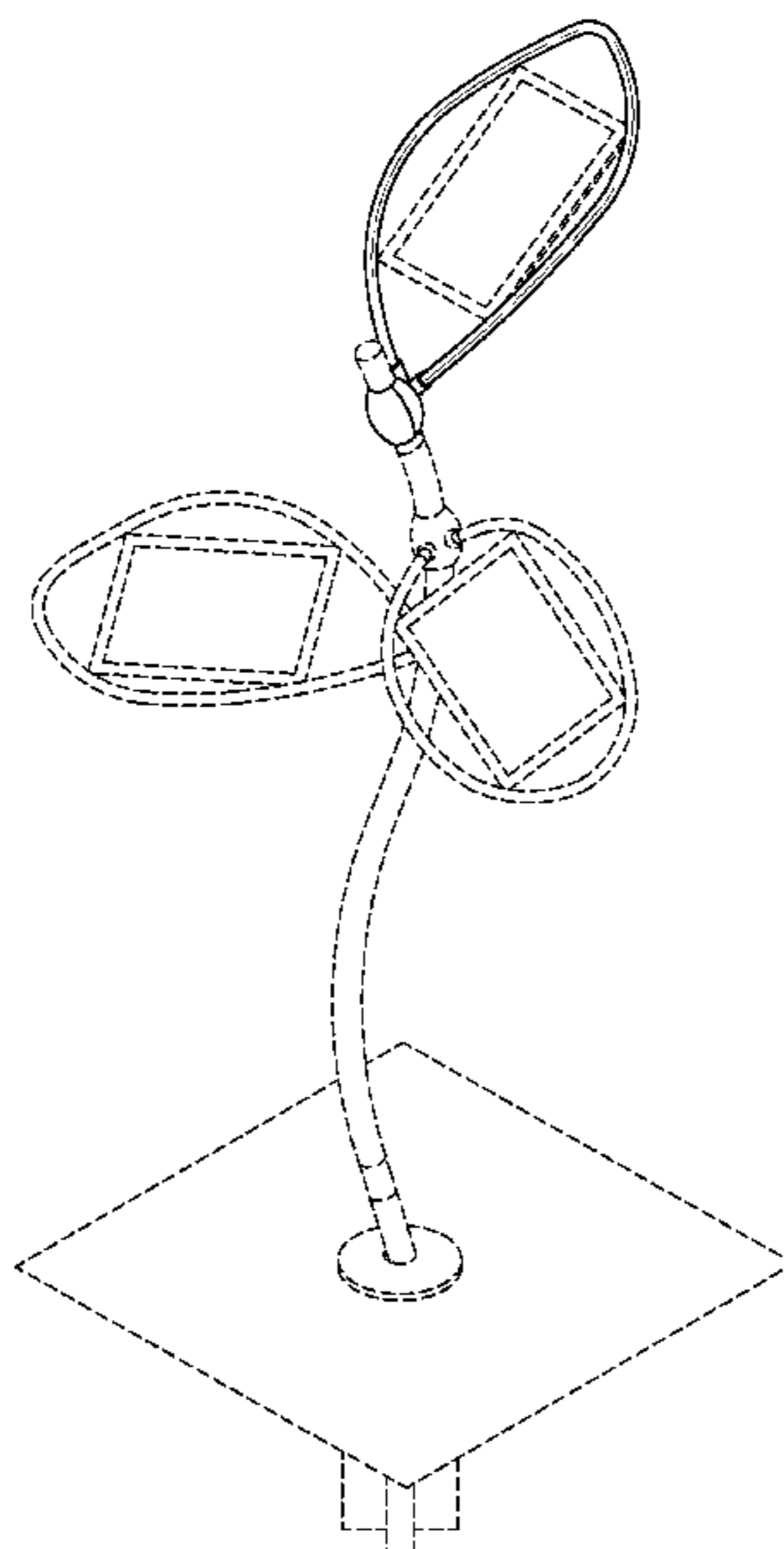
See application file for complete search history.

(56) **References Cited**

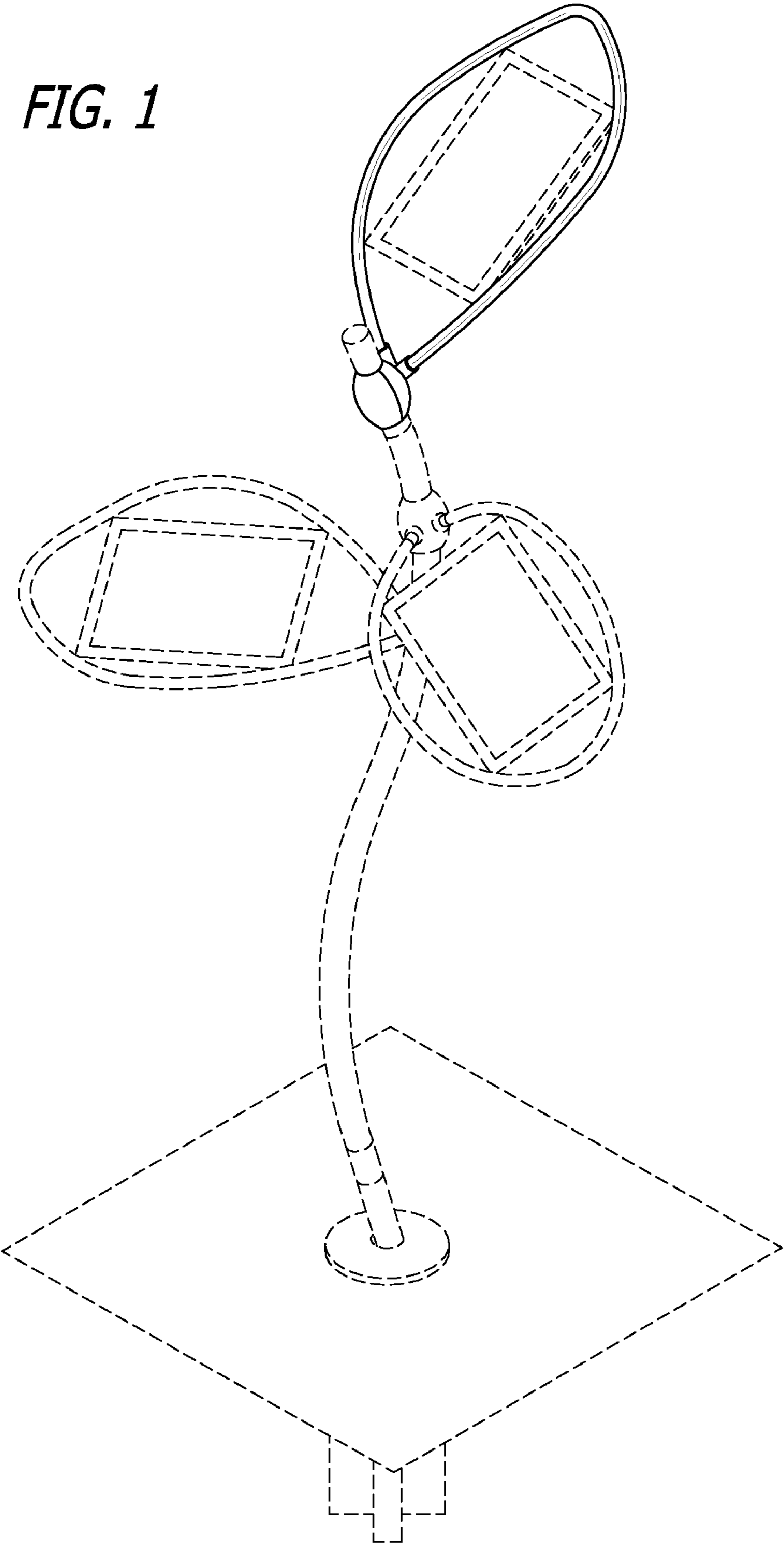
**U.S. PATENT DOCUMENTS**

D37,742 S *	12/1905	Davis	.....	D26/68
D60,453 S *	2/1922	Gosling	.....	D26/67
D101,660 S *	10/1936	Wellman	.....	D26/67
D343,022 S *	1/1994	Solberg et al.	.....	D26/68
D430,325 S *	8/2000	Milicia	.....	D26/81
D436,210 S *	1/2001	Miranda	.....	D26/81
D443,376 S *	6/2001	Lindsay	.....	D26/68
D476,262 S *	6/2003	Hensley et al.	.....	D11/157
D522,686 S *	6/2006	Lee	.....	D26/142
D529,656 S *	10/2006	Wen	.....	D26/68
D573,298 S *	7/2008	Kinnune et al.	.....	D26/142
D591,887 S *	5/2009	Tortel	.....	D26/67
D599,497 S *	9/2009	Liu	.....	D26/67

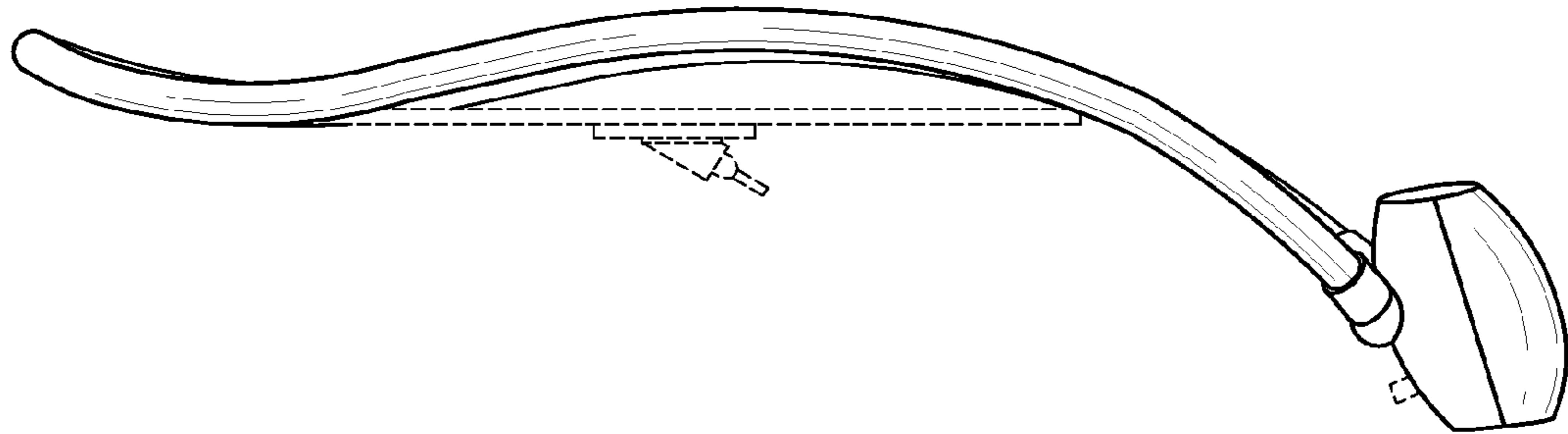
**1 Claim, 5 Drawing Sheets**



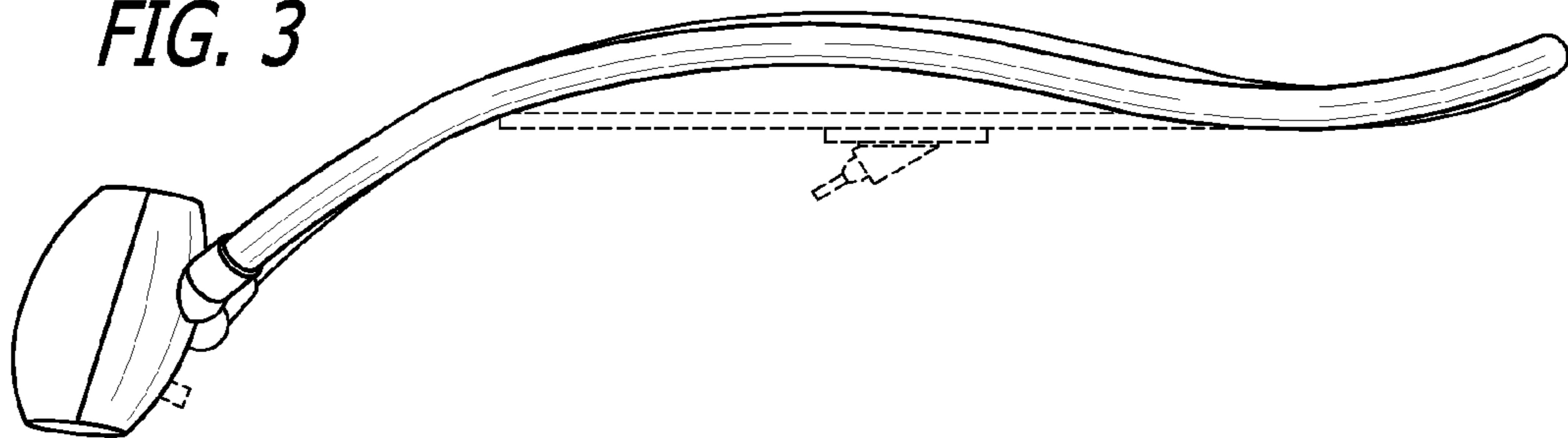
*FIG. 1*



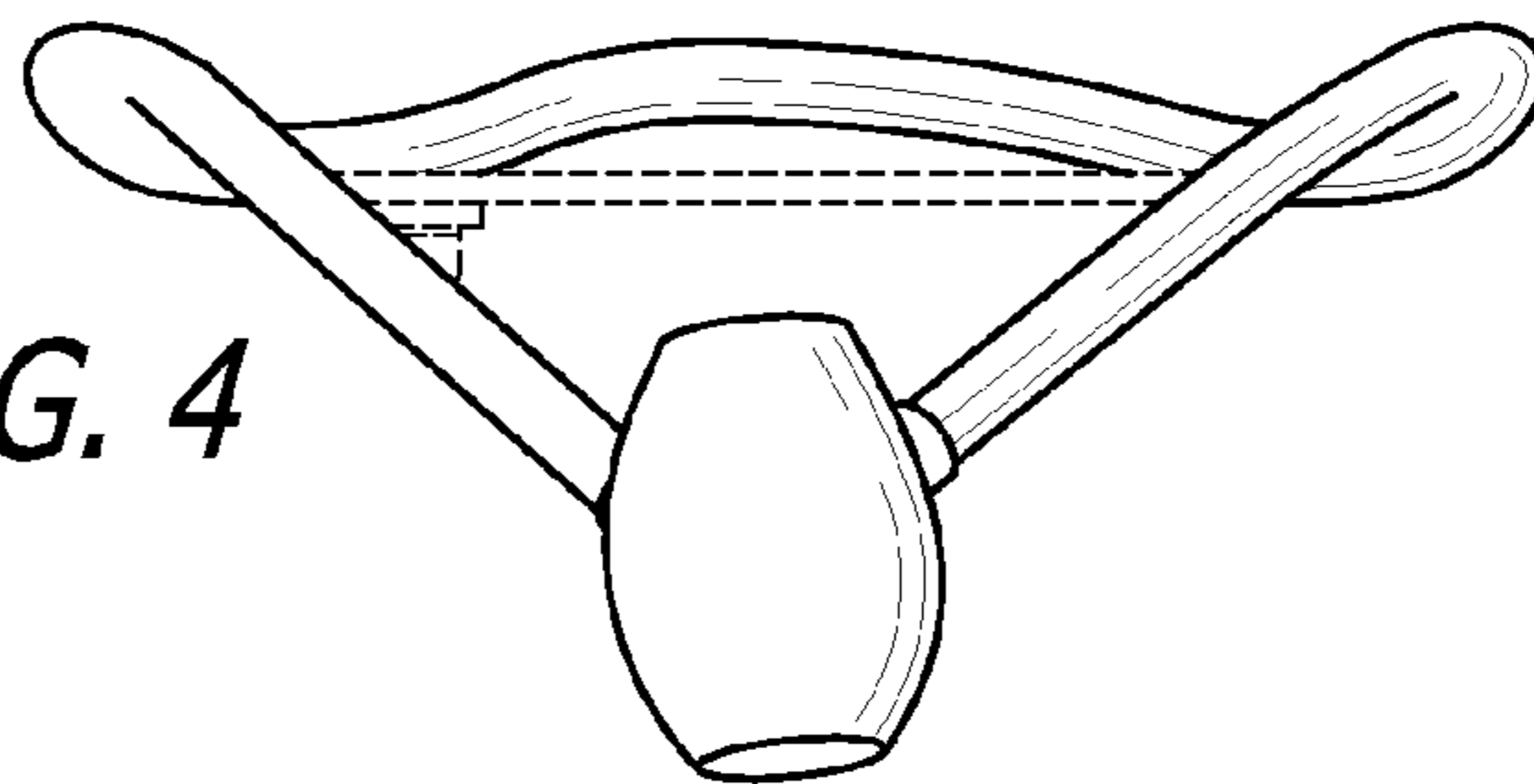
*FIG. 2*



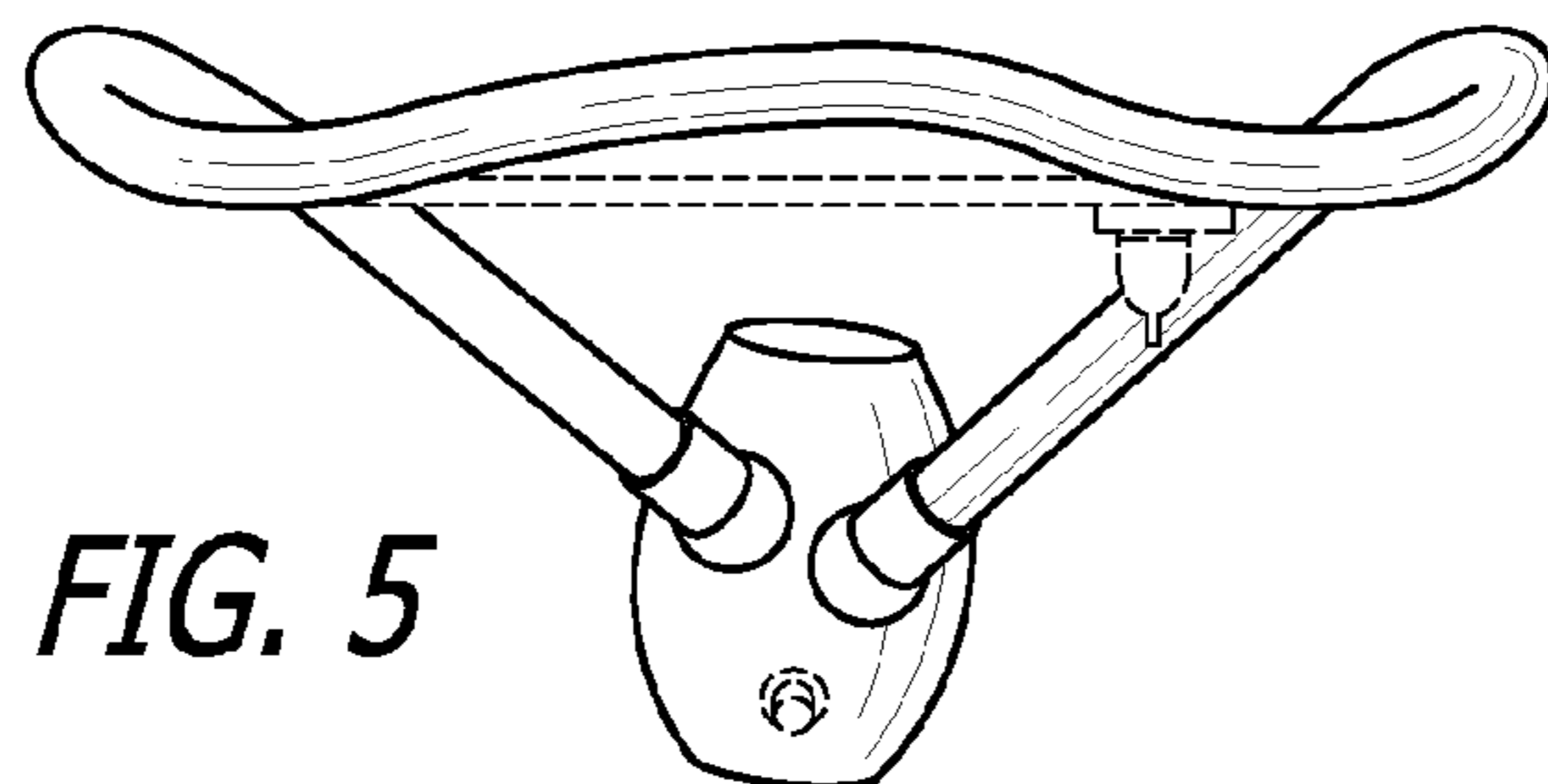
*FIG. 3*



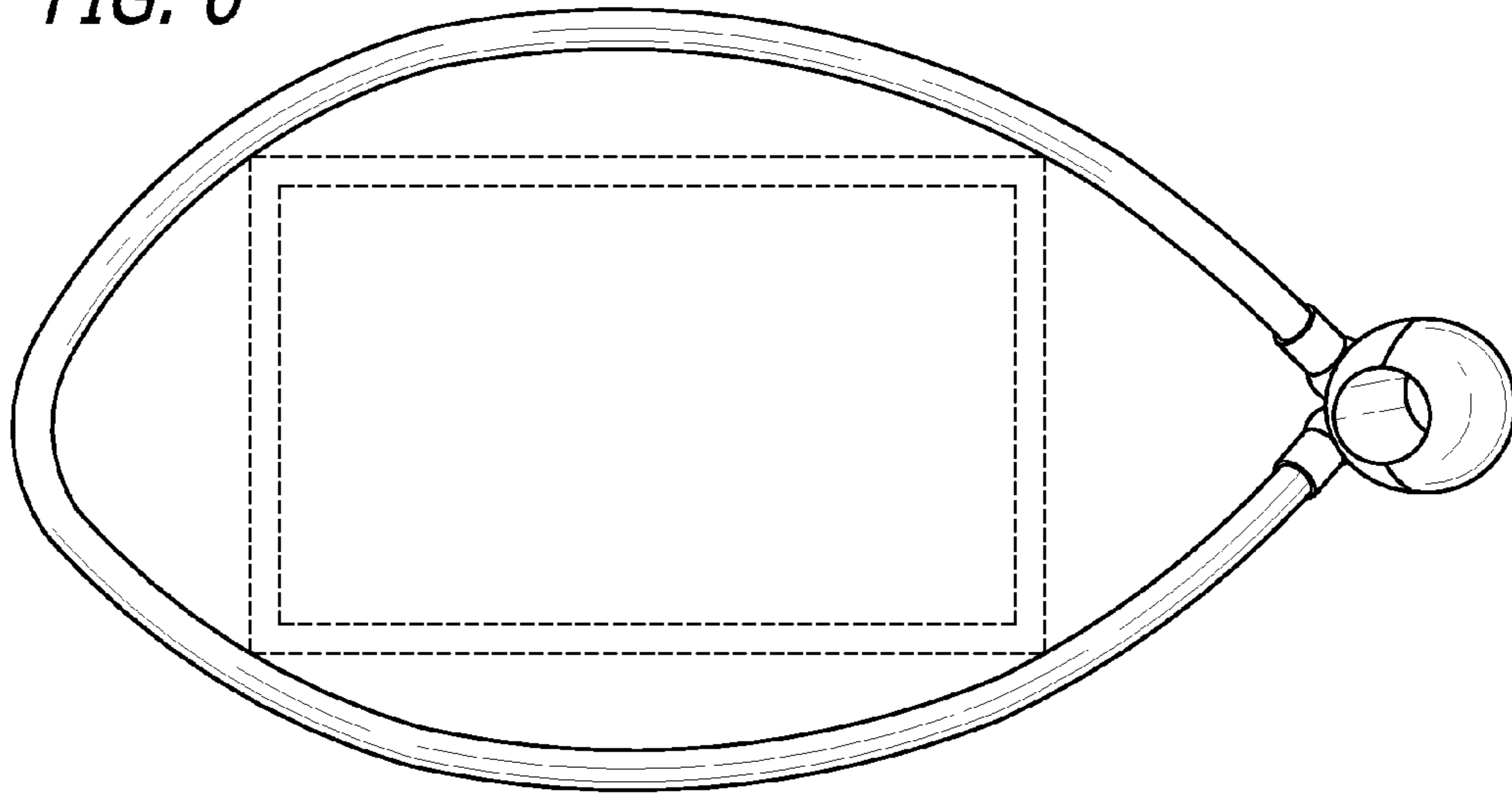
*FIG. 4*



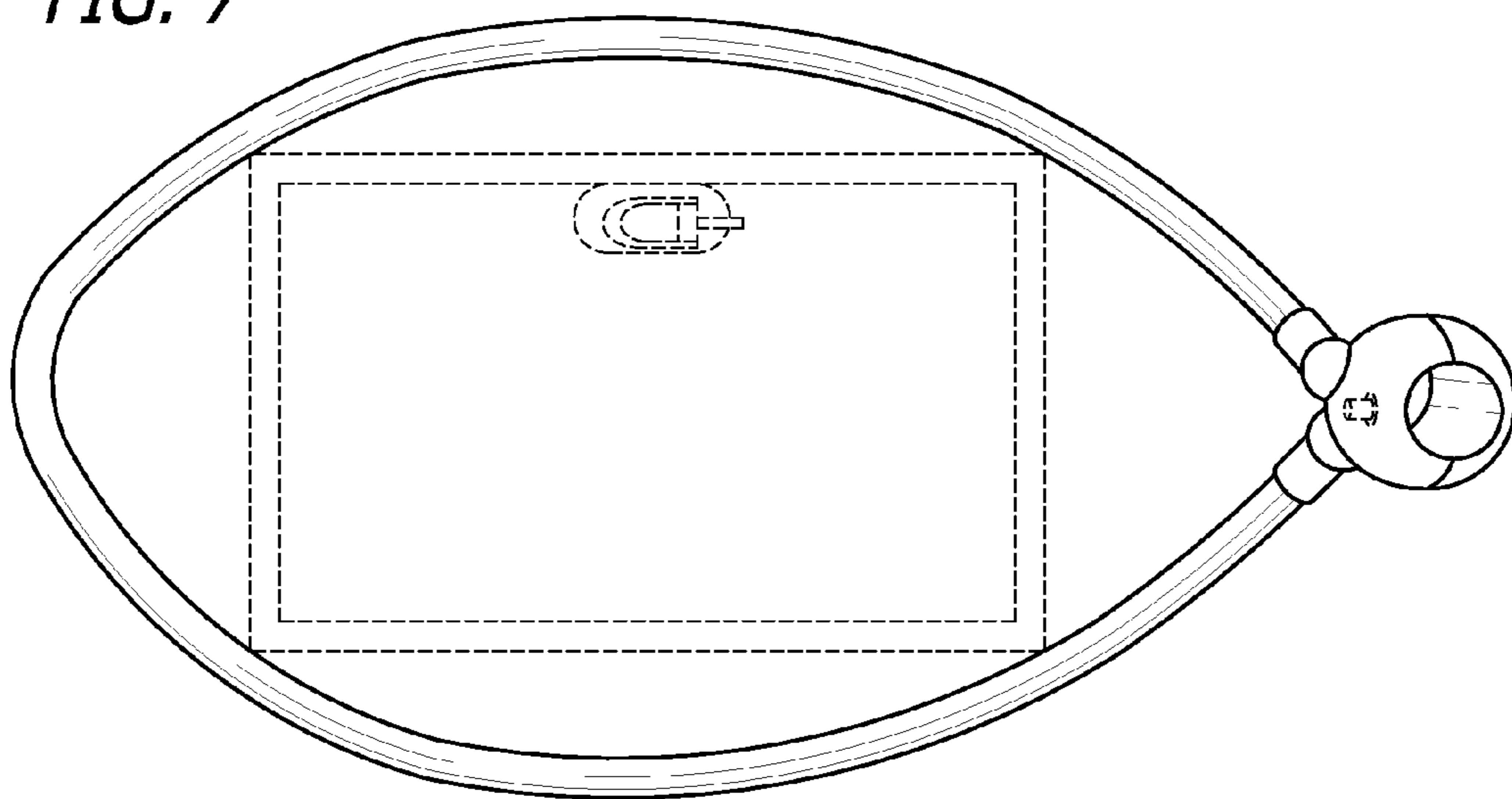
*FIG. 5*



*FIG. 6*



*FIG. 7*



*FIG. 8*

