



US00D628341S

(12) **United States Design Patent**
Redfern et al.

(10) **Patent No.:** **US D628,341 S**
(45) **Date of Patent:** **** Nov. 30, 2010**

(54) **LIGHTING FIXTURE**

(75) Inventors: **Chris Redfern**, Milan (IT); **Jean-Michel Wilmotte**, Paris (FR)

(73) Assignee: **Zumtobel Staff GmbH & Co., KG**, Lemgo (DE)

(**) Term: **14 Years**

(21) Appl. No.: **29/339,404**

(22) Filed: **Jun. 30, 2009**

D222,556 S	11/1971	Mattson et al.	D48/20
3,643,079 A	2/1972	Glickman	362/251
D228,361 S	9/1973	Burns et al.	D26/71
D232,256 S	7/1974	Koshigaya	D26/102
4,316,237 A	2/1982	Yamada et al.	362/33
4,319,311 A	3/1982	Mitchell	362/250
D264,206 S *	5/1982	Heritage	D13/133
D290,524 S *	6/1987	Kusmer	D13/110
D315,419 S	3/1991	Layne	D26/63
D325,645 S	4/1992	Grange	D26/63
D333,529 S	2/1993	Denison et al.	D26/68

Related U.S. Application Data

(62) Division of application No. 29/305,326, filed on Mar. 18, 2008, which is a division of application No. 29/211,634, filed on Aug. 19, 2004, now Pat. No. Des. 568,517.

(Continued)

OTHER PUBLICATIONS

Office Action, U.S. Patent and Trademark Office, U.S. Appl. No. 29/339,376, mailed on Sep. 29, 2009. 10 sheets.

(Continued)

(30) **Foreign Application Priority Data**

Feb. 19, 2004 (EP) 00014403500010016

(51) **LOC (9) Cl.** **26-99**

(52) **U.S. Cl.** **D26/138**

(58) **Field of Classification Search** D26/113, D26/63, 118, 93, 110, 138, 61, 24, 120, 40, D26/73, 2, 25, 37, 60, 81, 119, 122, 123, D26/128, 140, 141, 142; 362/33, 249.09, 362/648, 101; D13/110, 134, 180; 439/121, 439/239, 241

See application file for complete search history.

Primary Examiner—Cathron C Brooks

Assistant Examiner—Kevin K Rudzinski

(74) *Attorney, Agent, or Firm*—Fitzpatrick, Cella, Harper & Scinto

(57) **CLAIM**

The ornamental design for a lighting fixture, as shown and described.

(56) **References Cited**

U.S. PATENT DOCUMENTS

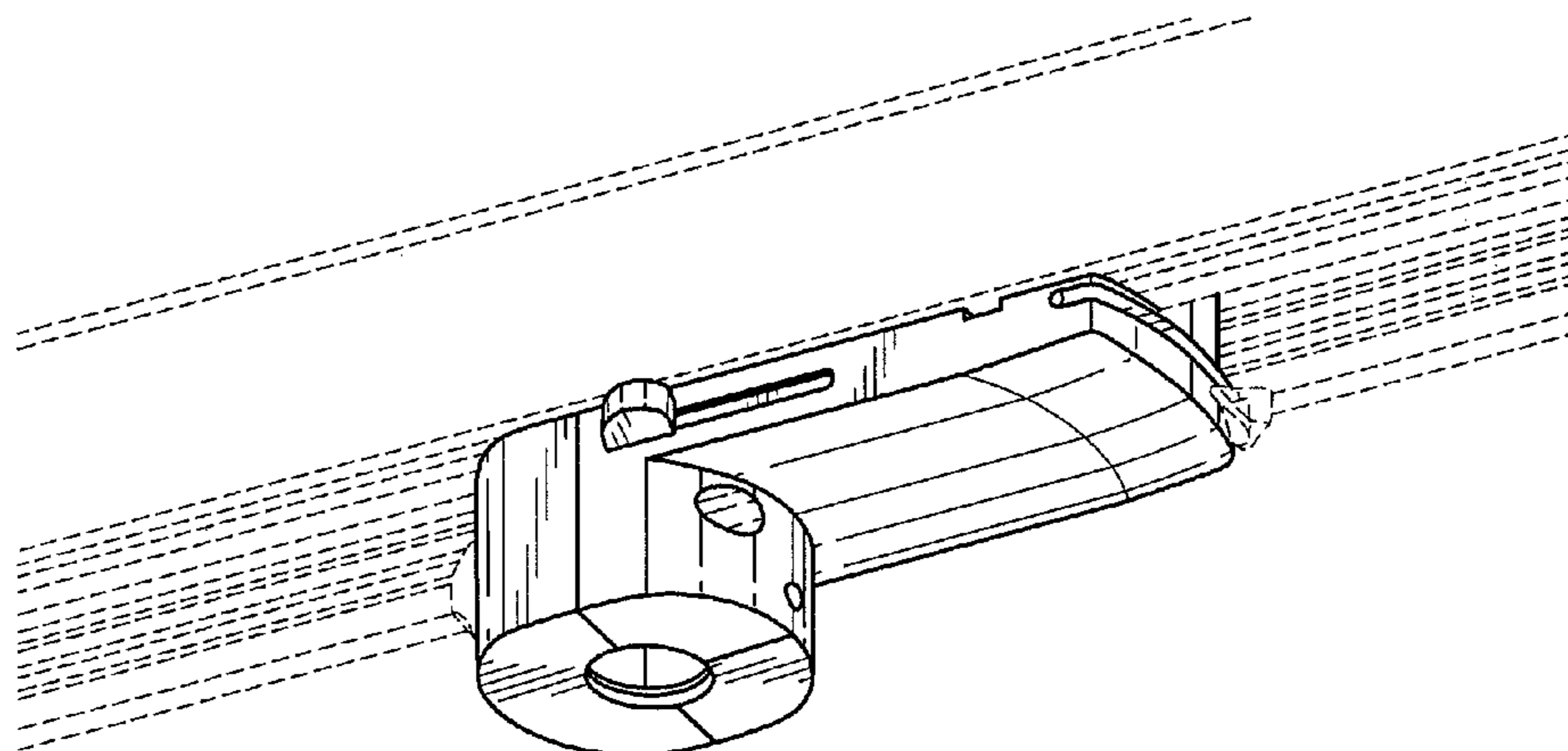
D47,863 S	9/1915	Seamon	D26/63
D74,734 S	3/1928	Garey et al.	D26/63
1,870,241 A	8/1932	Dorey	362/243
D128,967 S	8/1941	Peterson	D26/63
D166,411 S	4/1952	Rahn	D26/80
D168,738 S	2/1953	Friedman	D23/334
D175,528 S	9/1955	Atkin	D48/20
D211,388 S	6/1968	Harrison	D48/20

DESCRIPTION

The single FIGURE is a perspective view of a lighting fixture showing the bottom, one side and the front of the new design.

The broken lines in the single FIGURE are for the purpose of illustrating environmental structure and form no part of the claimed design.

1 Claim, 1 Drawing Sheet



US D628,341 S

Page 2

U.S. PATENT DOCUMENTS

D355,722 S	2/1995	Roos et al.	D26/63	6,779,910 B1	8/2004	Pelton	362/364
D360,959 S	8/1995	Donato et al.	D26/63	D520,177 S	5/2006	Roos et al.	D26/143
D361,146 S	8/1995	Jandrisits et al.	D26/63	D526,735 S	8/2006	Targetti	D26/63
D370,076 S	5/1996	Lecluze	D26/63	D538,959 S	3/2007	Kosche	D26/63
D384,430 S	9/1997	Lecluze	D26/24	D545,988 S	7/2007	Goetz-Schaefer	D26/74
D384,431 S	9/1997	Bitton	D26/74	D564,121 S *	3/2008	Lin	D26/64
D394,241 S *	5/1998	Wachter et al.	D13/110	D566,873 S *	4/2008	Grundl et al.	D26/63
D394,723 S *	5/1998	Mier-Langner et al.	D26/63	D569,544 S *	5/2008	Aubrey	D26/138
5,869,786 A *	2/1999	Jaakkola et al.	174/96	D576,345 S *	9/2008	Aubrey	D26/138
5,921,790 A *	7/1999	Nieminen et al.	439/121	D580,085 S	11/2008	Svensson	D26/71
D420,759 S *	2/2000	Shuenn-Fa	D26/65	2002/0137374 A1 *	9/2002	O'Rourke et al.	439/121
6,056,561 A *	5/2000	Lin	439/121	2003/0223234 A1 *	12/2003	Tang	362/226
6,059,582 A *	5/2000	Tsai	439/121	2007/0268701 A1 *	11/2007	Devlin	362/272
6,113,401 A *	9/2000	Nieminen et al.	439/121				
6,120,164 A	9/2000	Libin et al.	362/269				
6,132,062 A	10/2000	Borders et al.	362/251				
6,132,065 A	10/2000	Wedell et al.	362/267				
6,132,069 A	10/2000	Sato et al.	362/365				
6,174,069 B1	1/2001	Plunk et al.	362/147				
D437,439 S	2/2001	Tang	D26/63				
D457,977 S *	5/2002	Mier-Langner et al.	D26/63				
D459,514 S *	6/2002	Mier-Langner et al.	D26/63				
6,457,848 B1	10/2002	Wolf et al.	362/364				
6,755,558 B2	6/2004	Krietenstein et al.	362/365				
D493,138 S *	7/2004	Jiang	D13/110				

OTHER PUBLICATIONS

Office Action, U.S. Patent and Trademark Office, U.S. Appl. No. 29/305,326, mailed on Apr. 2, 2009. 4 sheets.

Office Action, U.S. Patent and Trademark Office, U.S. Appl. No. 29/305,326, mailed on Sep. 10, 2009. 8 sheets.

Notice of Allowance, U.S. Patent and Trademark Office, U.S. Appl. No. 29/305,326, mailed on Dec. 22, 2009. 9 sheets.

Office Action, U.S. Patent and Trademark Office, U.S. Appl. No. 29/339,378, mailed on Dec. 8, 2009. 13 sheets.

Office Action, U.S. Patent and Trademark Office, U.S. Appl. No. 29/339,405, mailed on Dec. 9, 2009. 11 sheets.

* cited by examiner

