



US00D628340S

(12) **United States Design Patent**
Krause

(10) **Patent No.:** **US D628,340 S**

(45) **Date of Patent:** **** Nov. 30, 2010**

(54) **SOLAR POWERED LIGHT**

(76) Inventor: **Damian Krause**, 132 Nassau St., New York, NY (US) 10038

(**) Term: **14 Years**

(21) Appl. No.: **29/361,679**

(22) Filed: **May 13, 2010**

(51) **LOC (9) Cl.** **26-99**

(52) **U.S. Cl.** **D26/128**

(58) **Field of Classification Search** D26/138, D26/63, 128, 124, 24, 87, 145, 155, 140, D26/85, 113, 142, 118, 64, 2, 3, 68, 71, 67, D26/76, 65, 120; 362/219, 249.01, 249.02, 362/249.03, 249.04, 249.05, 249.06, 249.07, 362/249.08, 249.09, 249.1, 249.11, 580, 362/373, 290, 362, 183, 240, 294; D7/532, D7/530, 529, 523, 531, 587; D11/152, 153, D11/146; D16/134, 135, 101; 439/110, 439/698, 417, 320; D13/134, 179, 180

See application file for complete search history.

(56) **References Cited**

U.S. PATENT DOCUMENTS

1,763,963	A	*	6/1930	Guth	362/312
D108,788	S	*	3/1938	Kostellow	D7/523
D132,264	S	*	5/1942	Sawyer	D11/153
D219,496	S	*	12/1970	Lebedeff	D28/85
3,781,164	A	*	12/1973	McCaffery	431/291
4,894,008	A	*	1/1990	Lee	431/290
D435,683	S	*	12/2000	Hoffbauer	D26/135
D438,430	S	*	3/2001	Gabrhel	D7/523
D457,389	S	*	5/2002	Snell	D7/396.6
D462,799	S	*	9/2002	Ziaylek et al.	D26/28
6,447,145	B1	*	9/2002	Thomas et al.	362/267
D463,715	S	*	10/2002	Dretzka	D7/523
D495,186	S	*	8/2004	Poupel et al.	D7/300.1
D496,751	S	*	9/2004	Lin	D26/85
D505,147	S	*	5/2005	Koren	D16/219
D506,644	S	*	6/2005	Poupel et al.	D7/603

D519,785	S	*	5/2006	Bodum	D7/523
D540,623	S	*	4/2007	Schreiber-Pethan et al.	..	D7/584
D545,132	S	*	6/2007	Bhavnani	D7/536
D551,502	S	*	9/2007	Bodum	D7/509
D556,618	S	*	12/2007	Campagna	D10/114
D560,017	S	*	1/2008	Morris et al.	D26/128
D564,844	S	*	3/2008	Schreiber-Pethan et al.	..	D7/586
D565,780	S	*	4/2008	Campagna	D26/85
D578,827	S	*	10/2008	Barducci	D7/523
D580,092	S	*	11/2008	Watkins	D26/120
D582,580	S	*	12/2008	Spangler et al.	D26/9
D586,611	S	*	2/2009	Solis et al.	D7/354
D614,917	S	*	5/2010	Calco	D7/509
D623,899	S	*	9/2010	Baratte	D7/531

* cited by examiner

Primary Examiner—Cathron C Brooks

Assistant Examiner—Kevin K Rudzinski

(74) *Attorney, Agent, or Firm*—Marguerite Del Valle

(57) **CLAIM**

I claim the ornamental design for a solar powered light, as shown and described.

DESCRIPTION

FIG. 1 is a front side top perspective view of the new solar powered light of the present invention;

FIG. 2 is a front side bottom perspective view thereof;

FIG. 3 is a bottom plan view thereof;

FIG. 4 is a left side elevation view thereof, the right side elevation view is a mirror image;

FIG. 5 is a top front perspective view thereof;

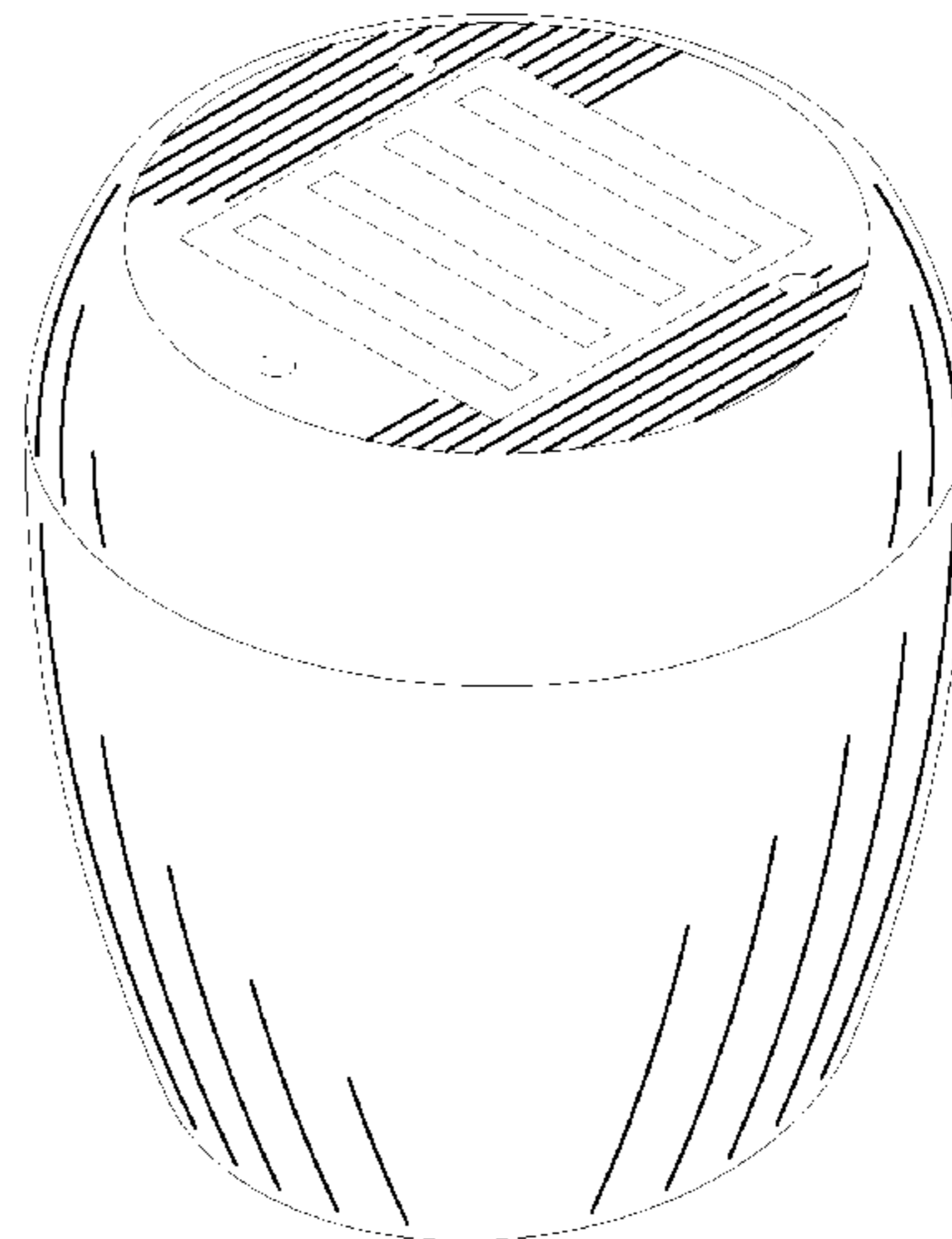
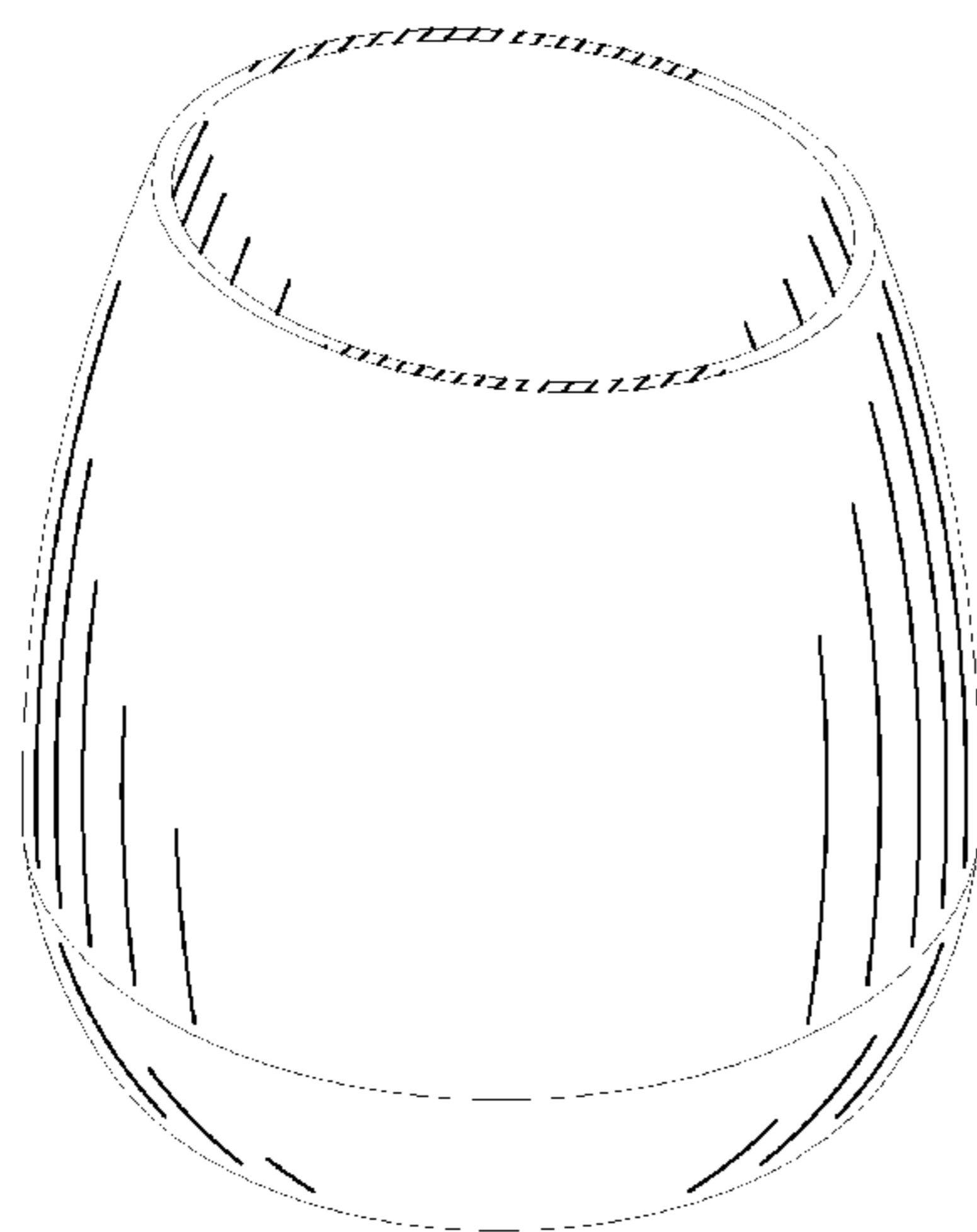
FIG. 6 is a top plan view thereof;

FIG. 7 is a front elevation view thereof; and,

FIG. 8 is a rear elevation view thereof.

The broken lines shown are included for the purpose of illustrating environmental structures and form no part of the claimed design.

1 Claim, 4 Drawing Sheets



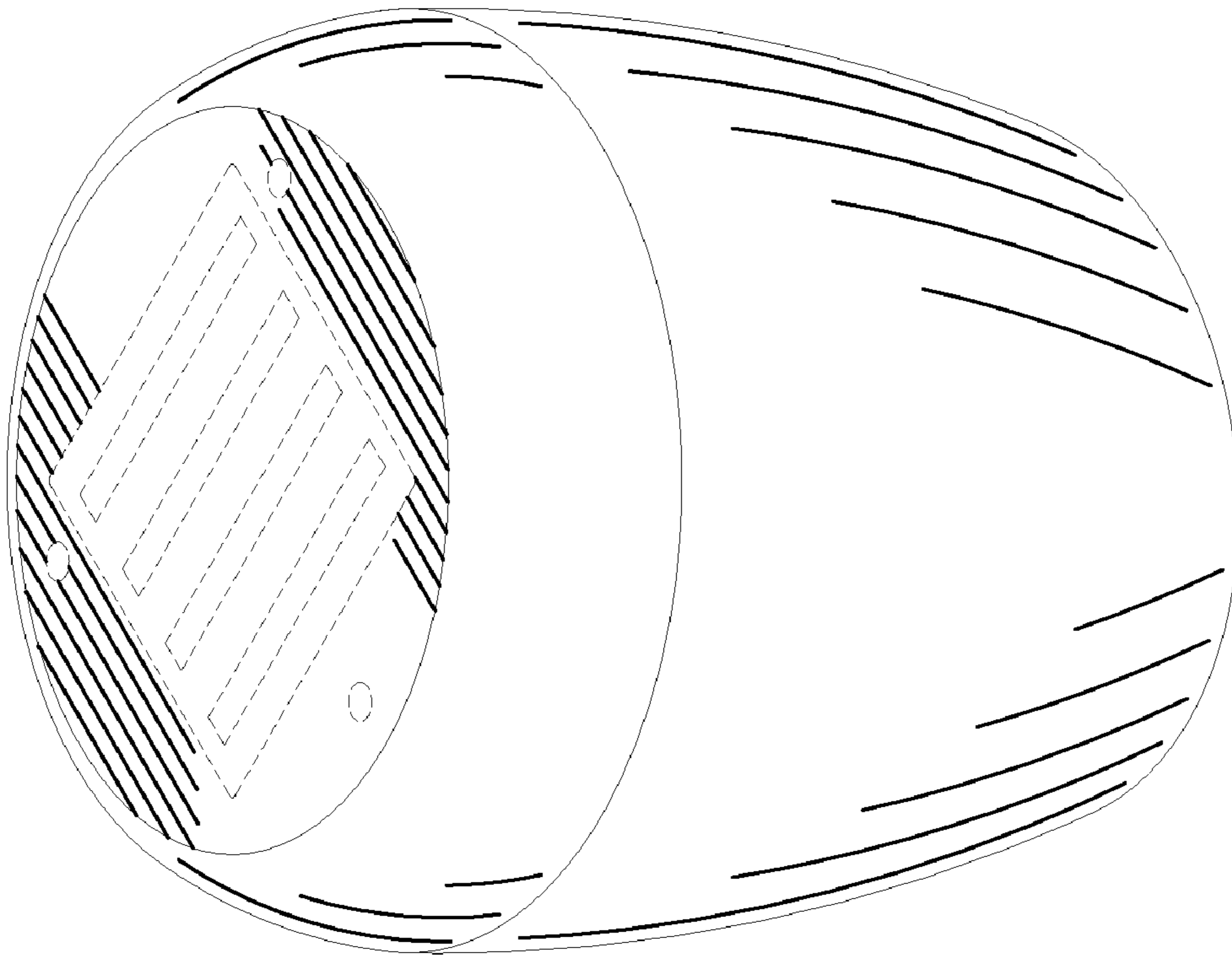


FIG. 1

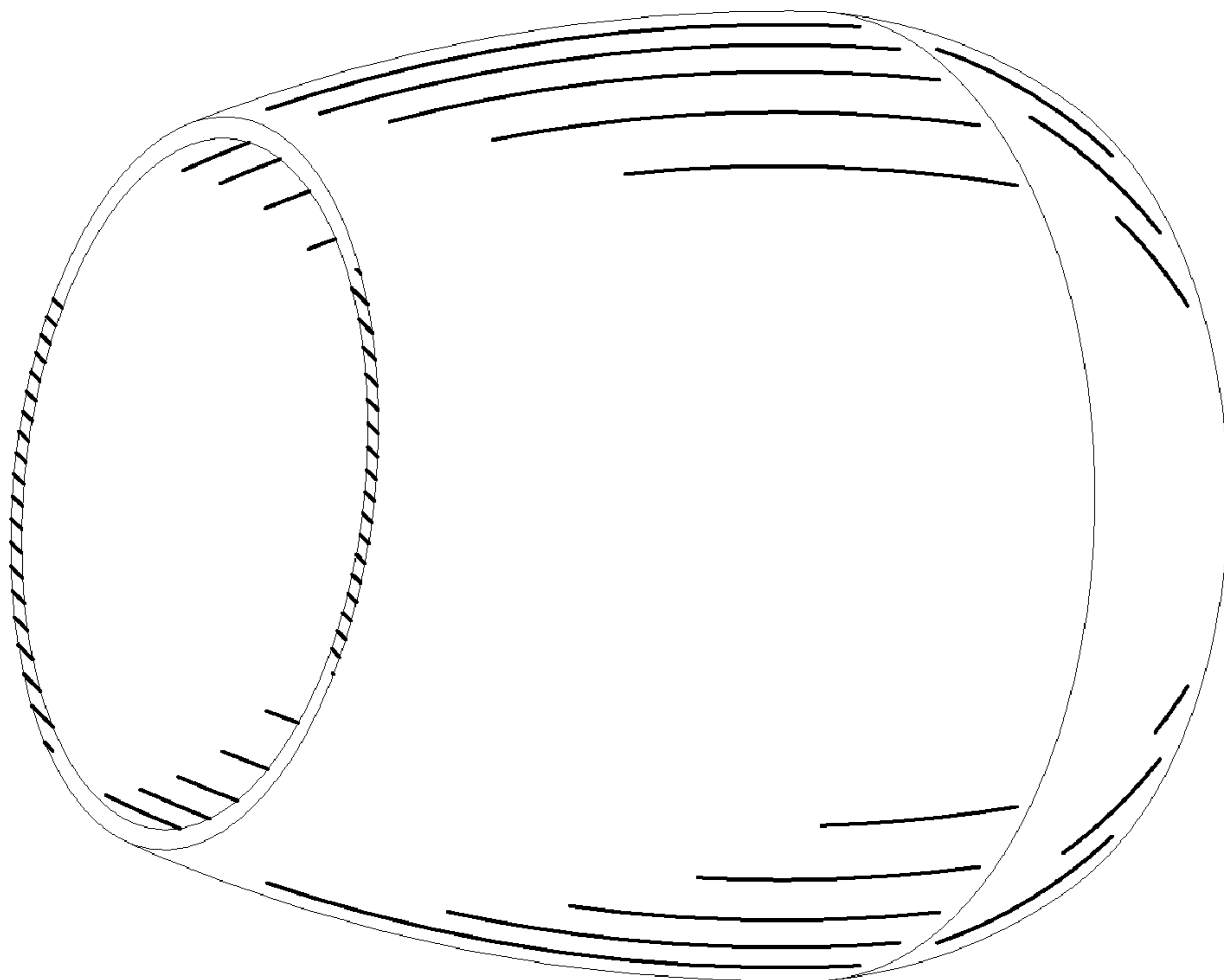


FIG. 2

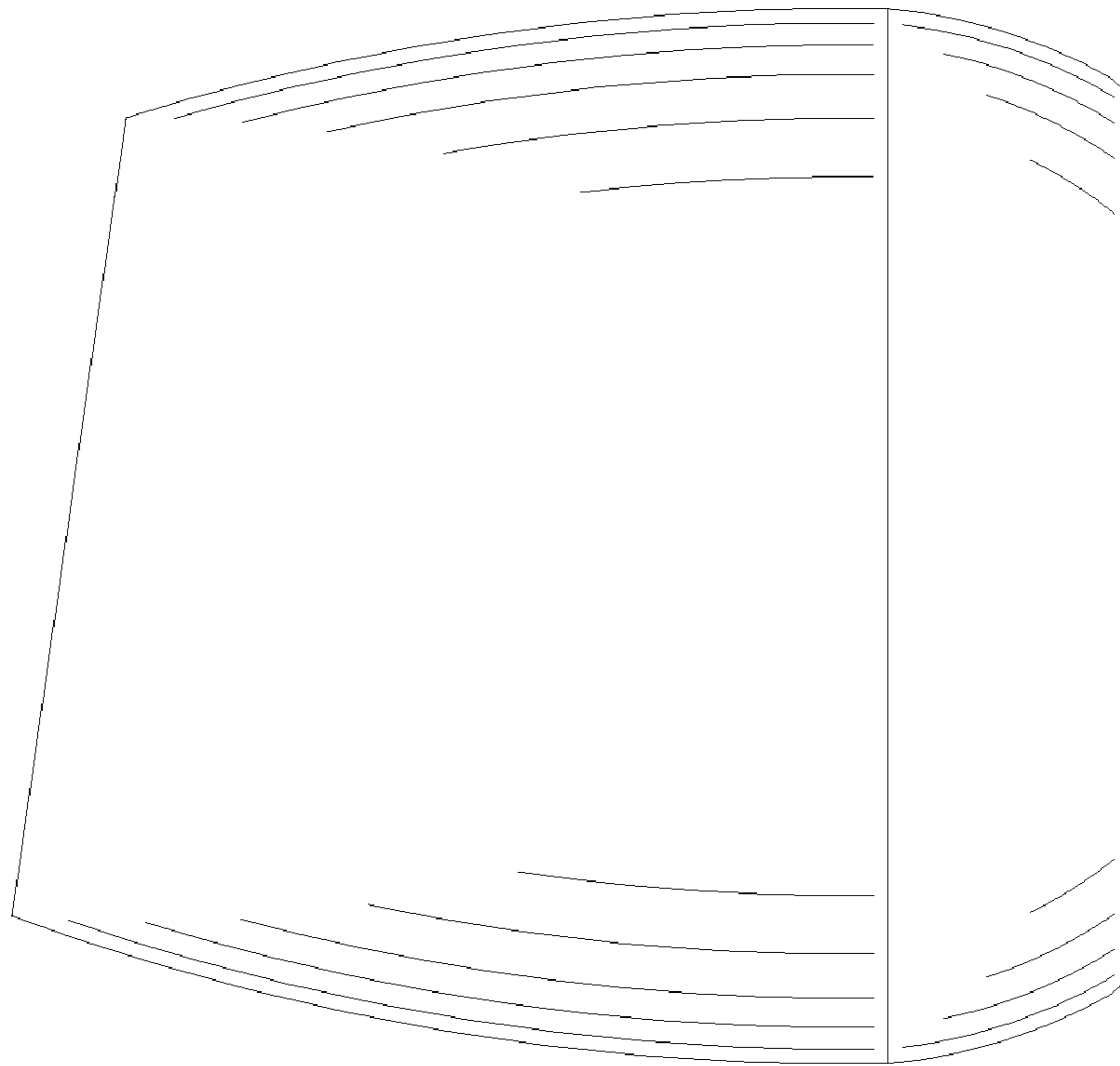


FIG. 4

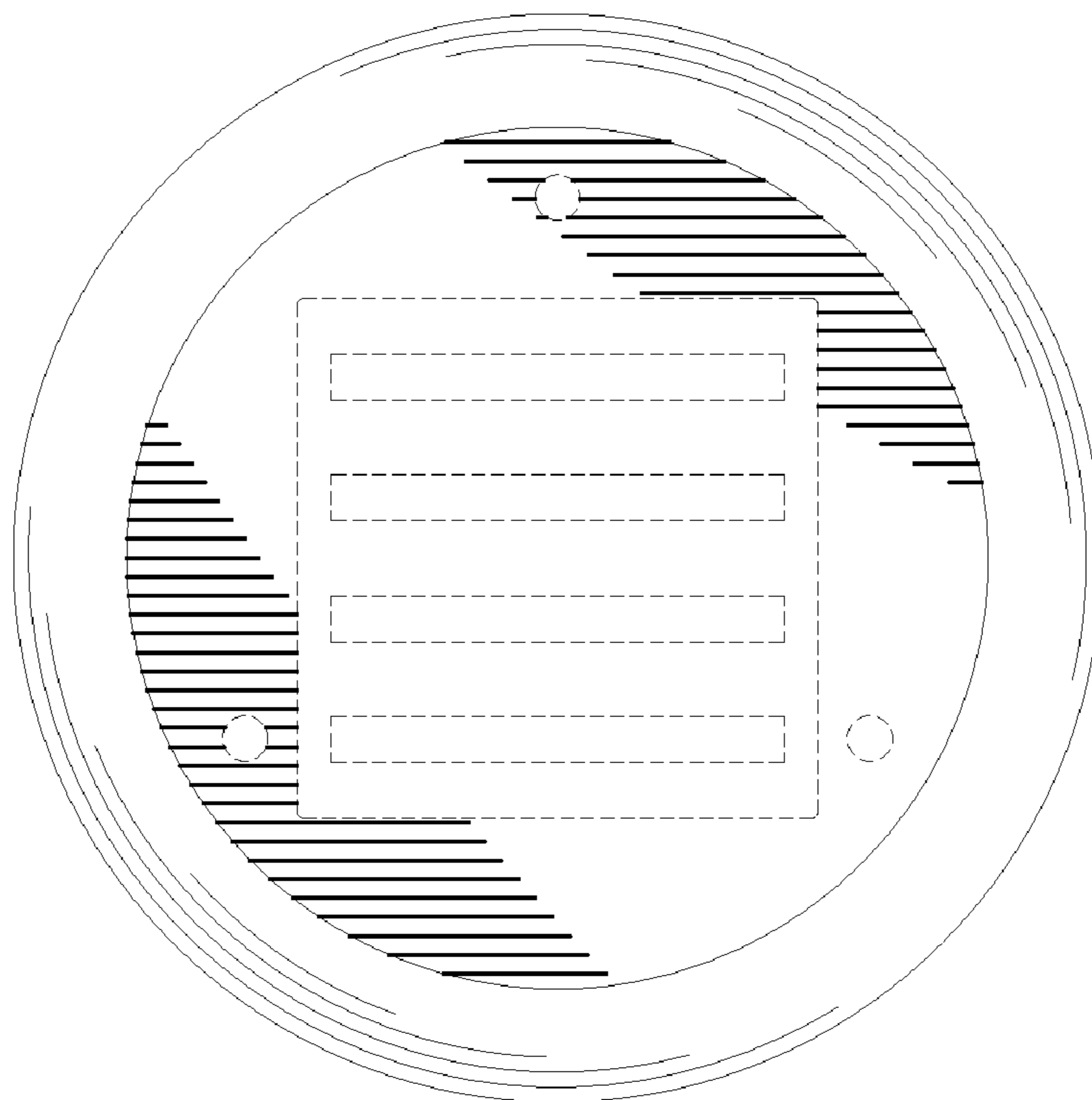


FIG. 3

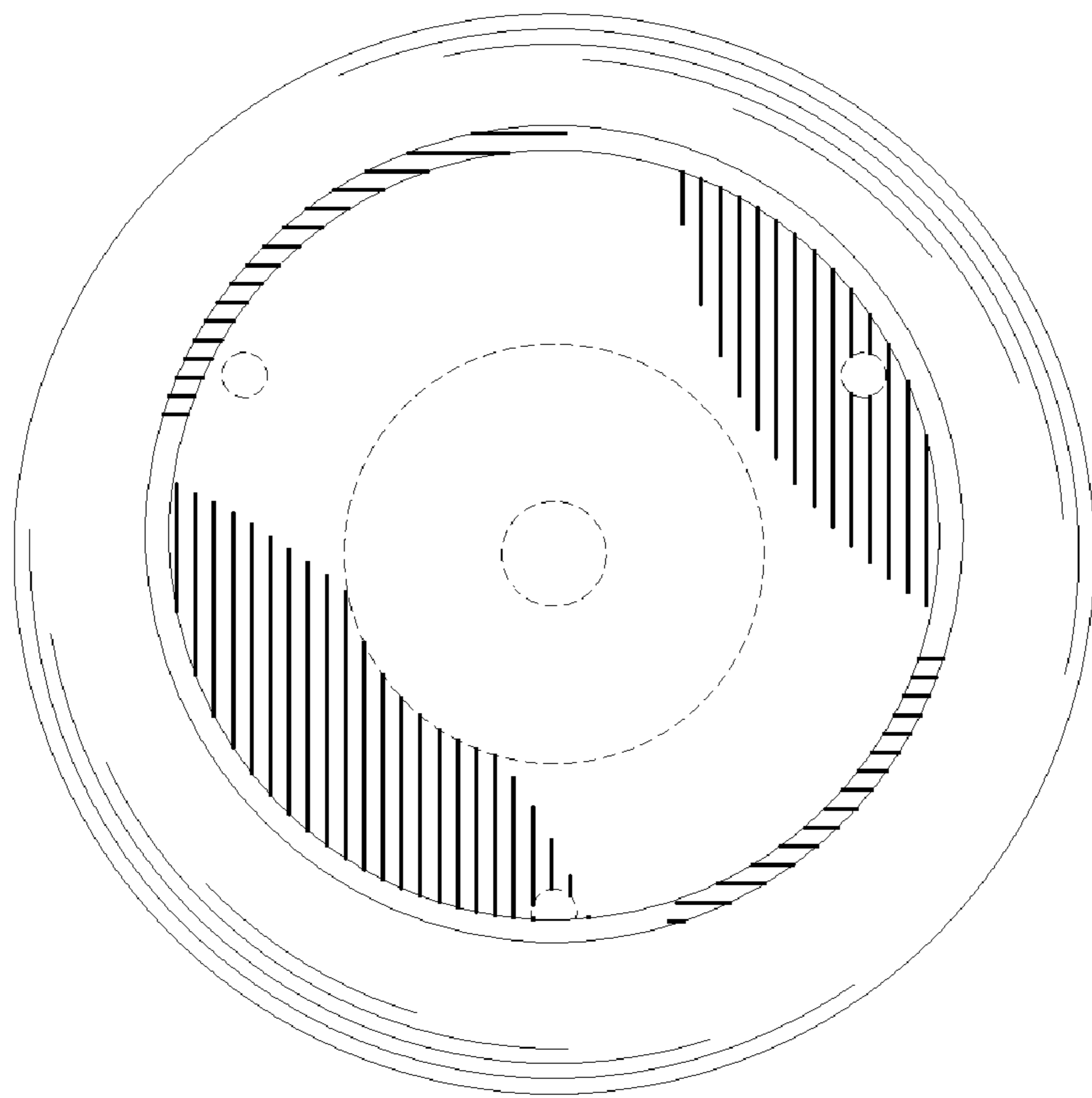


FIG. 6

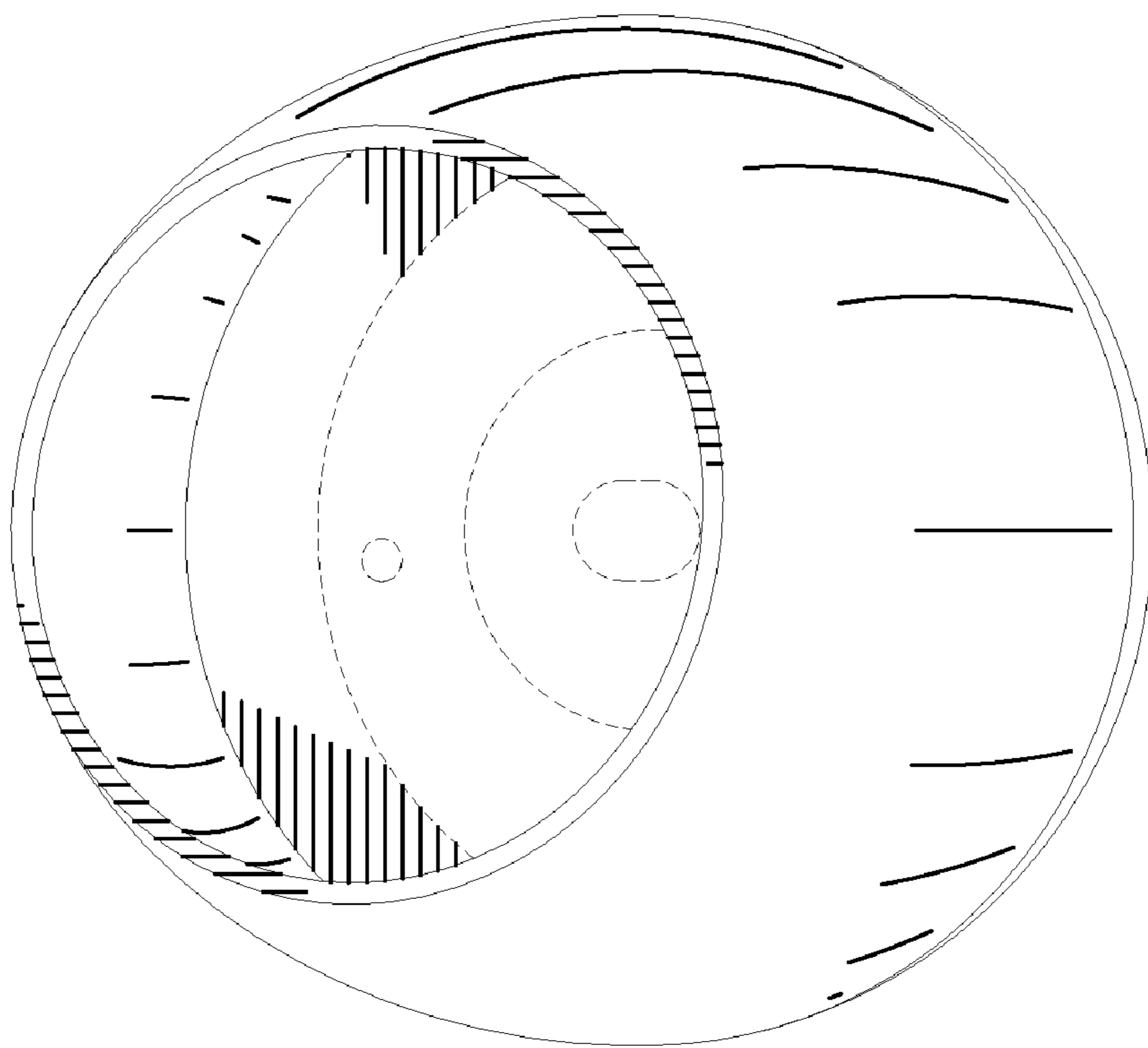


FIG. 5

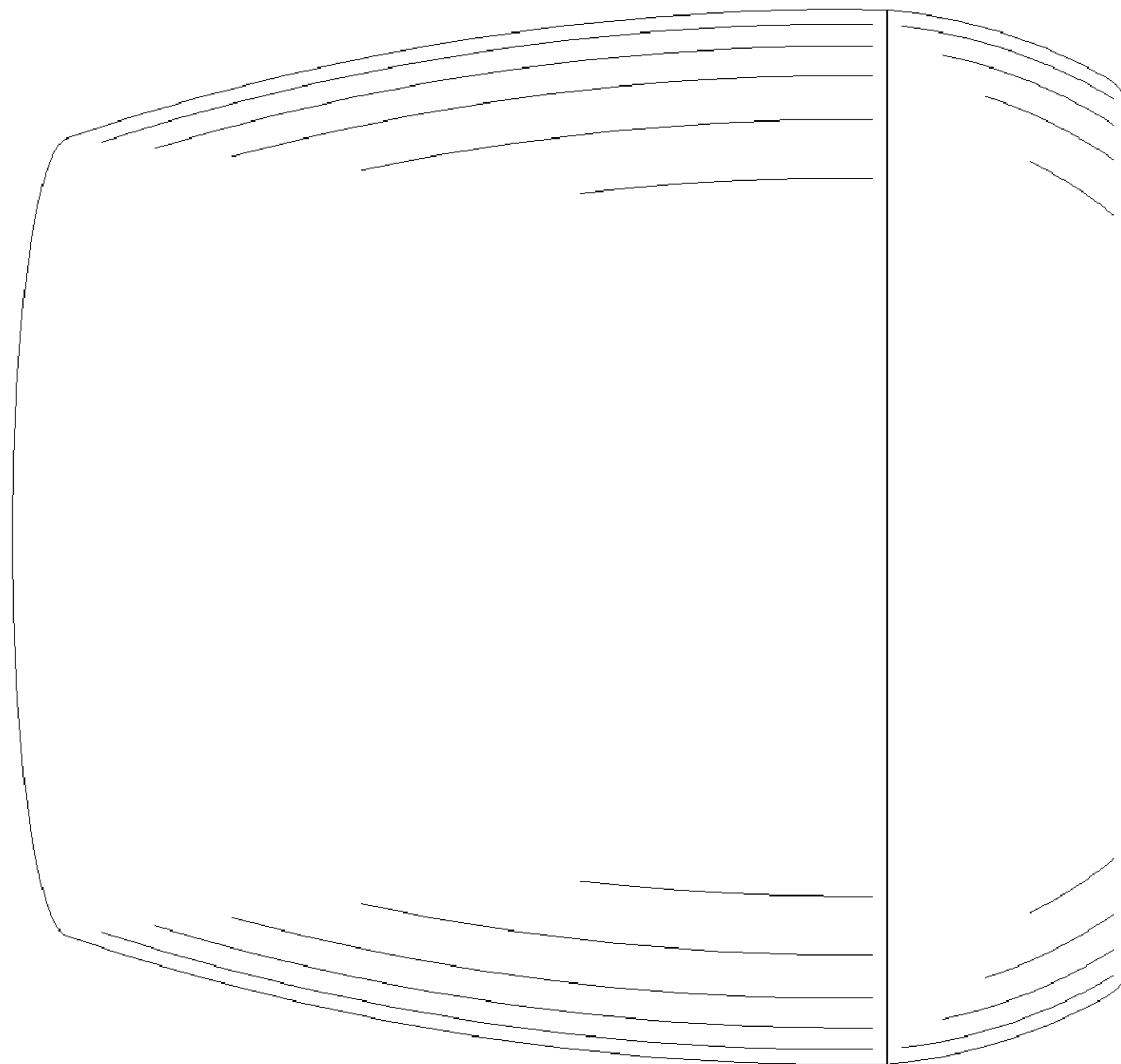


FIG. 8

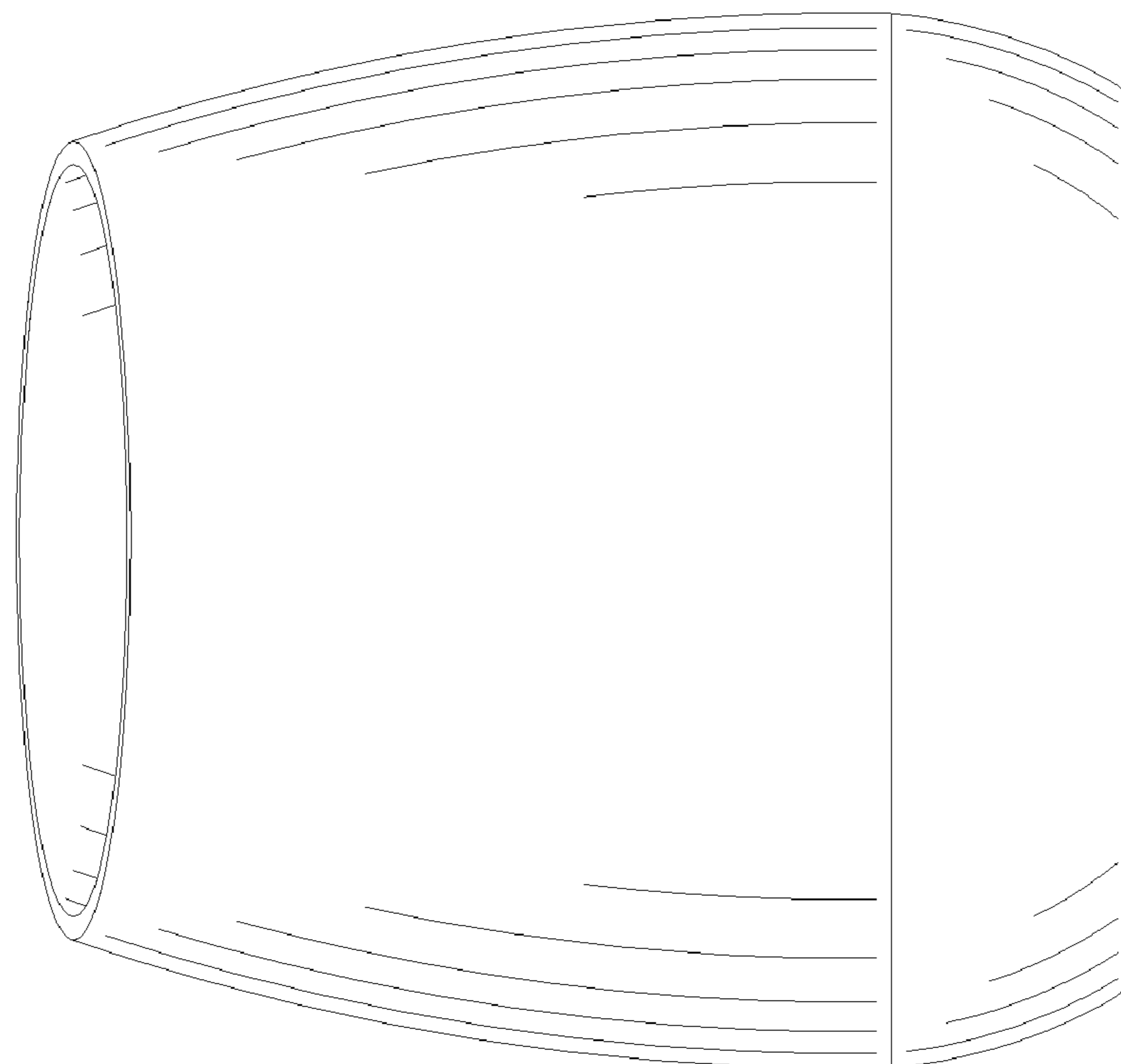


FIG. 7