



US00D628339S

(12) **United States Design Patent**  
**Lu**

(10) **Patent No.:** **US D628,339 S**  
(45) **Date of Patent:** **\*\* Nov. 30, 2010**

(54) **LAMPSHADE**

(76) Inventor: **James Lu**, Kaiyilai Industrial Park,  
Industrial Zone No. 388, Liangantian  
Village, Pinghu Town, Longgang,  
Shenzhen City, Guangdong Province  
(CN)

(\*\*) Term: **14 Years**

(21) Appl. No.: **29/342,698**

(22) Filed: **Aug. 31, 2009**

(51) **LOC (9) Cl.** ..... **26-99**

(52) **U.S. Cl.** ..... **D26/118**

(58) **Field of Classification Search** ..... D13/179,  
D13/180; D16/101, 135; D25/122, 124;  
D26/9, 11, 22, 25, 56, 67, 71, 72, 74, 76,  
D26/79, 84, 85, 88, 89, 113, 118, 119, 120,  
D26/121, 122, 123, 124, 128, 129, 130, 134,  
D26/137, 138, 139, 140, 141, 142, 152; 52/844;  
359/811, 819; 362/145, 152, 219, 240, 241,  
362/249.01, 249.02, 249.03, 249.04, 249.05,  
362/249.06, 249.07, 249.08, 249.09, 249.1,  
362/547, 555

See application file for complete search history.

(56) **References Cited**

**U.S. PATENT DOCUMENTS**

4,380,790 A \* 4/1983 Saferstein et al. .... 362/231  
D275,037 S \* 8/1984 Saferstein et al. .... D26/51  
D301,633 S \* 6/1989 Shwisha ..... D26/63

D339,649 S \* 9/1993 Klossner ..... D26/63  
D382,577 S \* 8/1997 Waldmann ..... D16/135  
D463,054 S \* 9/2002 Huang ..... D26/60  
D474,556 S \* 5/2003 Huang ..... D26/60  
D482,481 S \* 11/2003 Landefeld ..... D26/71  
D482,813 S \* 11/2003 Waldmann ..... D26/61  
D526,340 S \* 8/2006 Hodgson ..... D16/135  
D526,673 S \* 8/2006 Hodgson ..... D16/135  
D597,240 S \* 7/2009 Hodgson ..... D26/65  
2006/0082994 A1 \* 4/2006 Wang et al. .... 362/227

\* cited by examiner

*Primary Examiner*—Cathron C Brooks  
*Assistant Examiner*—Kevin K Rudzinski

(57) **CLAIM**

The ornamental design for lampshade, as shown and described.

**DESCRIPTION**

FIG. 1 is a front elevational view of a lampshade showing my new design;

FIG. 2 is a rear elevational view thereof;

FIG. 3 is a left side view thereof;

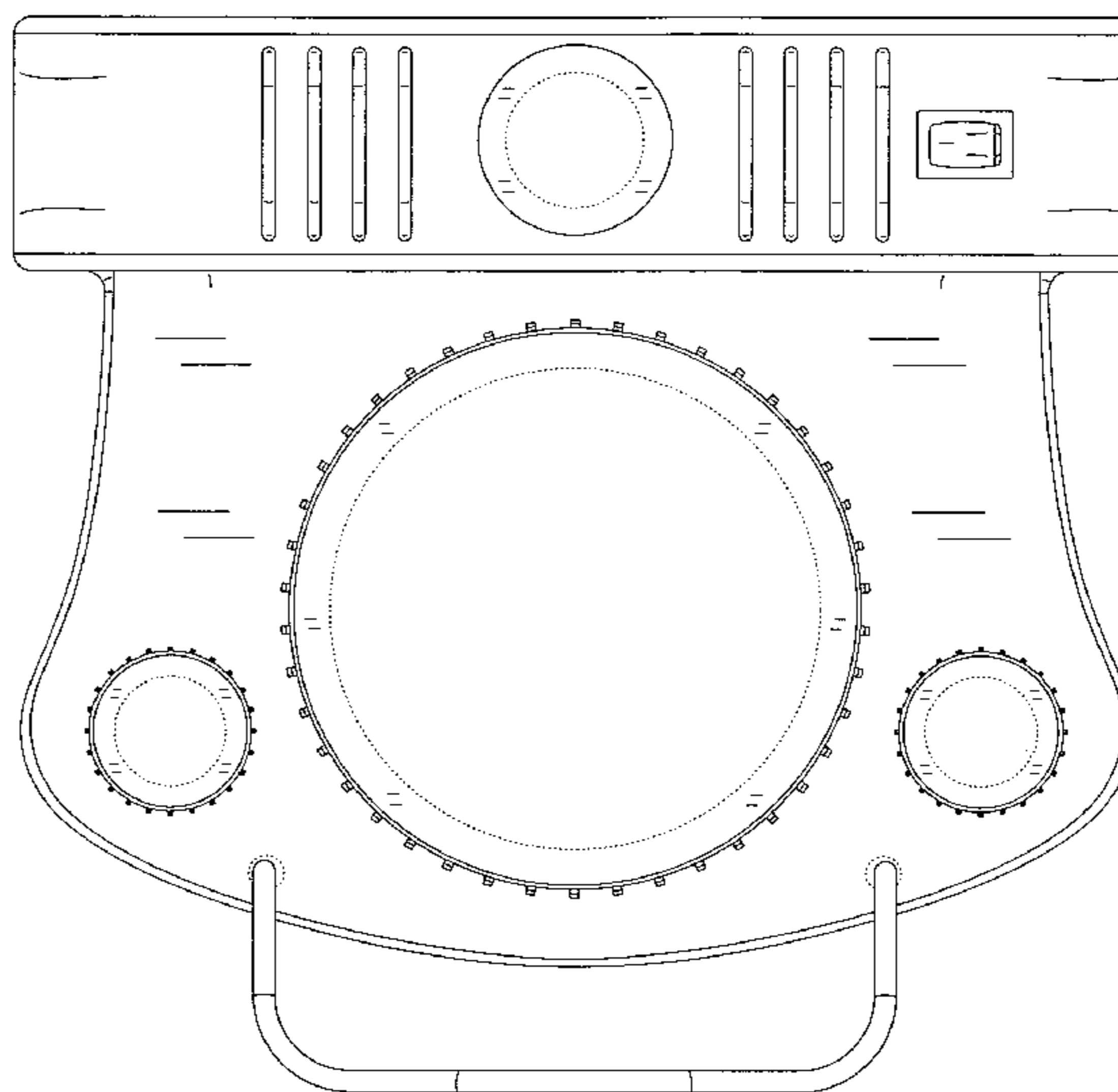
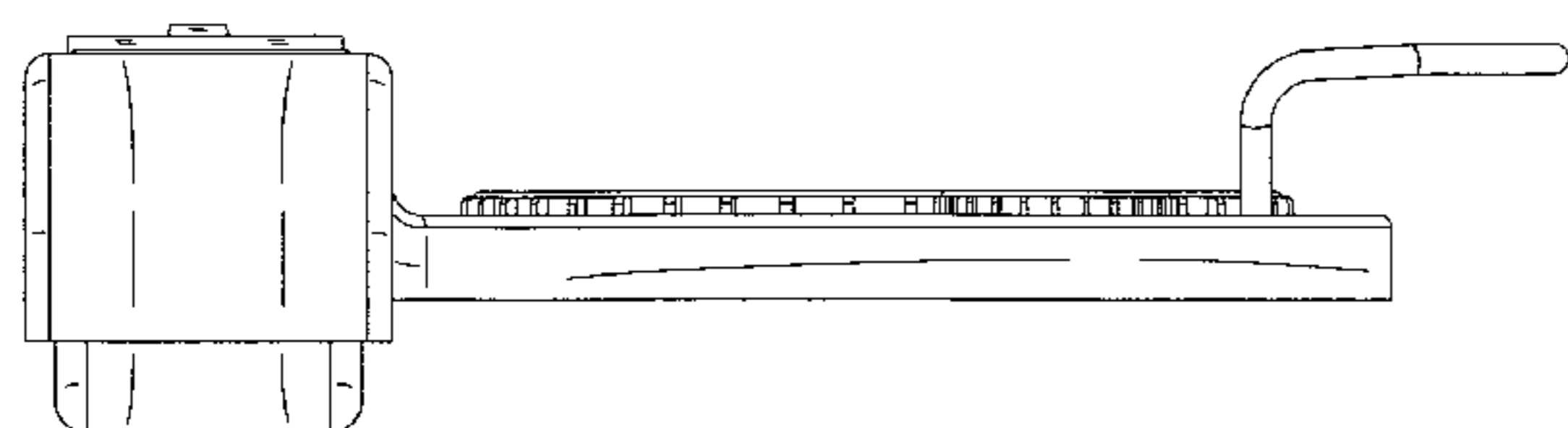
FIG. 4 is a right side view thereof;

FIG. 5 is a top plan view thereof; and,

FIG. 6 is a bottom plan view thereof.

The broken lines shown form no part of the claimed design.

**1 Claim, 4 Drawing Sheets**



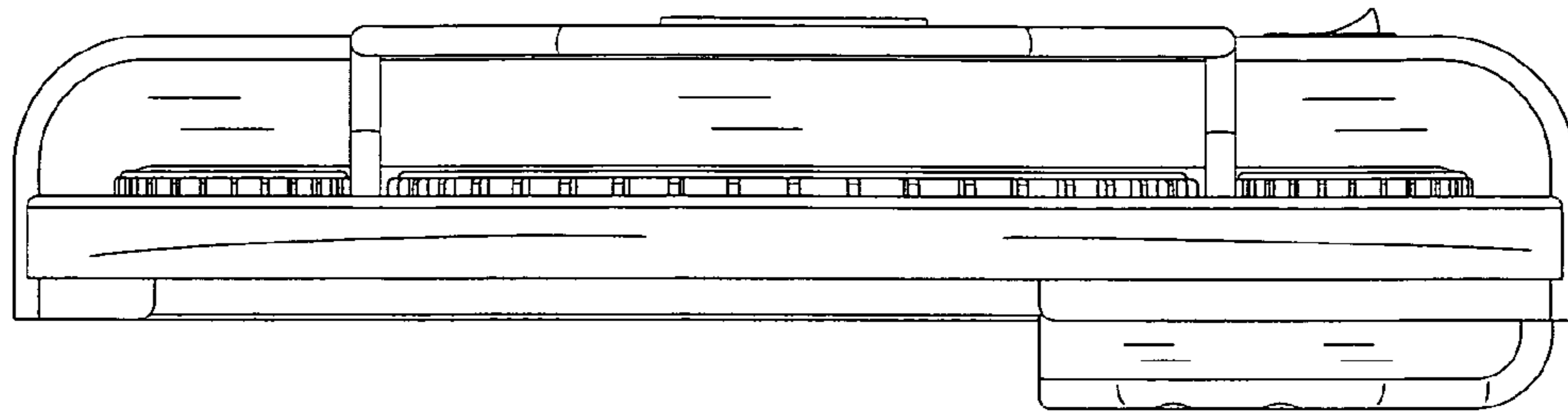


FIG. 1

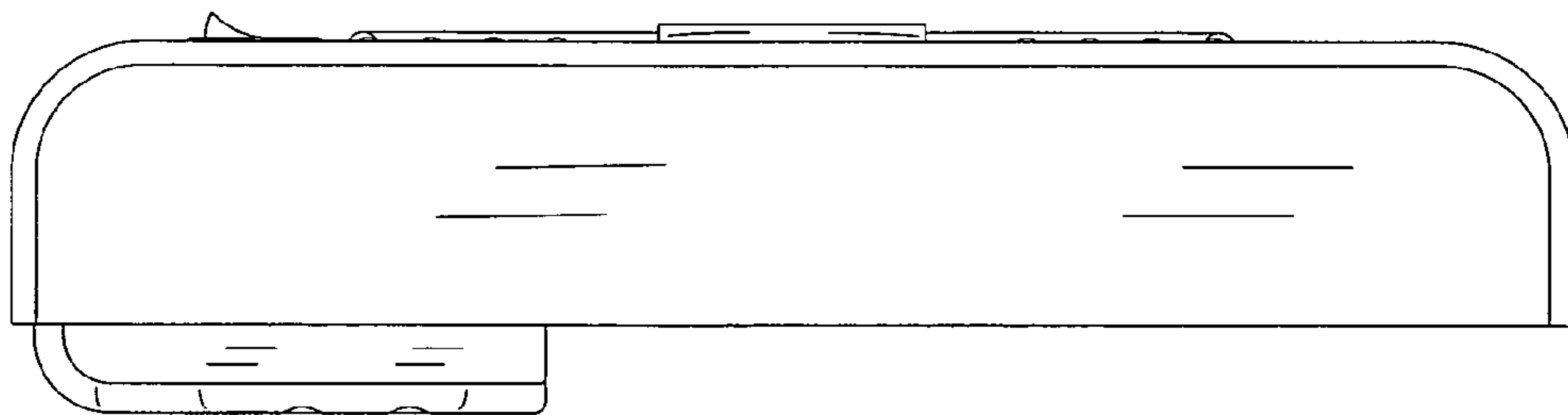


FIG. 2

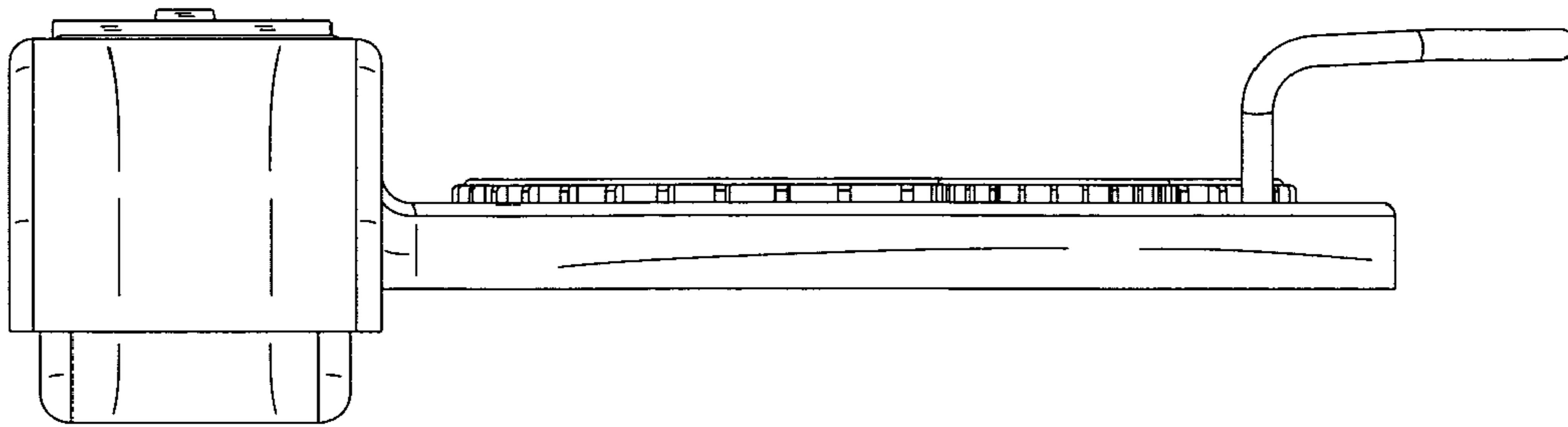


FIG. 3

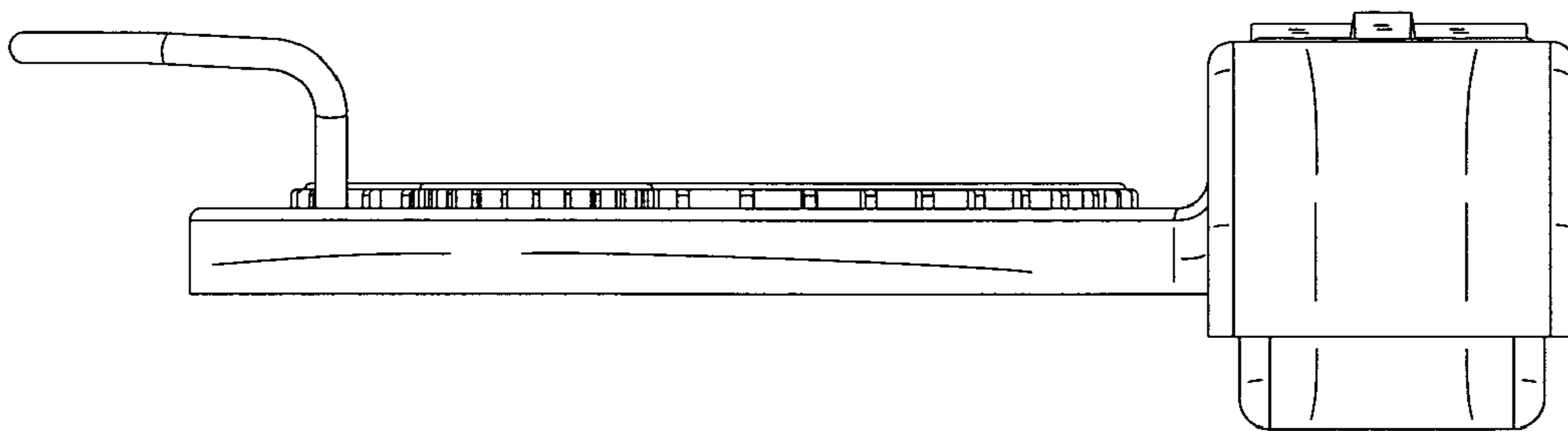


FIG. 4

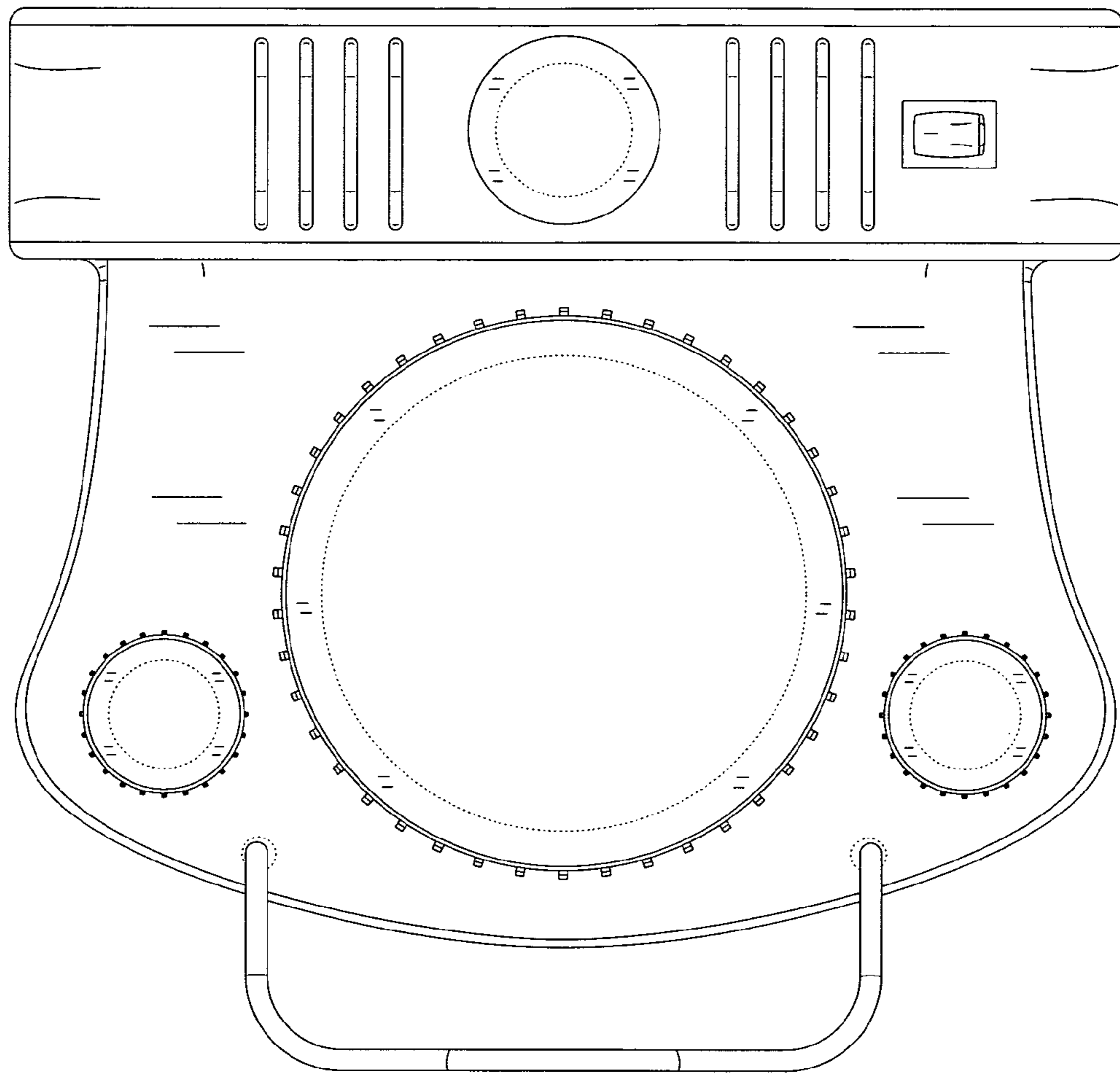


FIG. 5

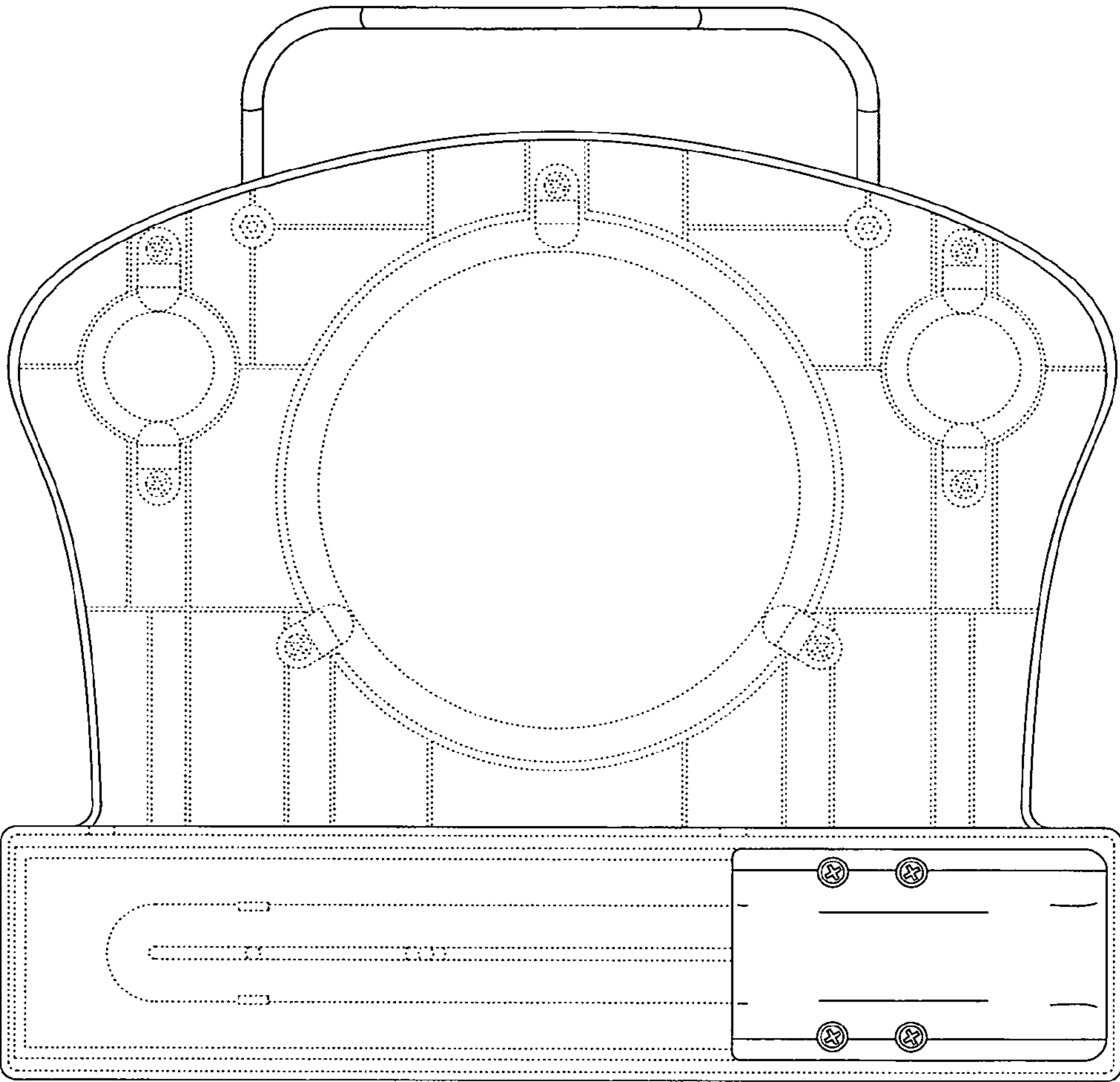


FIG. 6