



US00D628338S

(12) **United States Design Patent**
Sabernig

(10) **Patent No.:** **US D628,338 S**

(45) **Date of Patent:** **** Nov. 30, 2010**

(54) **LIGHT FIXTURE**

D603,994 S * 11/2009 Sabernig D26/65
D604,888 S * 11/2009 Swanson D26/105

(75) Inventor: **Robert Sabernig**, Munster (AT)

* cited by examiner

(73) Assignee: **EGLO Leuchten GmbH**, Innsbruck (AT)

Primary Examiner—Brian N Vinson

(74) *Attorney, Agent, or Firm*—Baker & McKenzie LLP

(**) Term: **14 Years**

(57) **CLAIM**

(21) Appl. No.: **29/352,822**

The ornamental design for a light fixture, as shown and described.

(22) Filed: **Dec. 28, 2009**

(51) **LOC (9) Cl.** **26-03**

(52) **U.S. Cl.** **D26/93; D26/65**

(58) **Field of Classification Search** D26/1,
D26/24, 61–66, 93–94, 102–110; 362/3,
362/153, 186, 217, 255, 257, 277, 317, 351,
362/353, 362, 363, 382, 431, 41, 433, 458,
362/806

See application file for complete search history.

DESCRIPTION

FIG. 1 is a perspective view of a light fixture in accordance with my design shown in a first embodiment;

FIG. 2 is a side elevation view of the light fixture in accordance with my design shown in a second embodiment, the opposite view being a mirror image thereof;

FIG. 3 is a back elevation view of the light fixture in accordance with my design shown in the second embodiment;

FIG. 4 is a front elevation view of the light fixture in accordance with my design shown in the second embodiment;

FIG. 5 is a cross-sectional view taken along line 5—5 in FIG. 2; and,

FIG. 6 is a cross-sectional view taken along line 6—6 in FIG. 2.

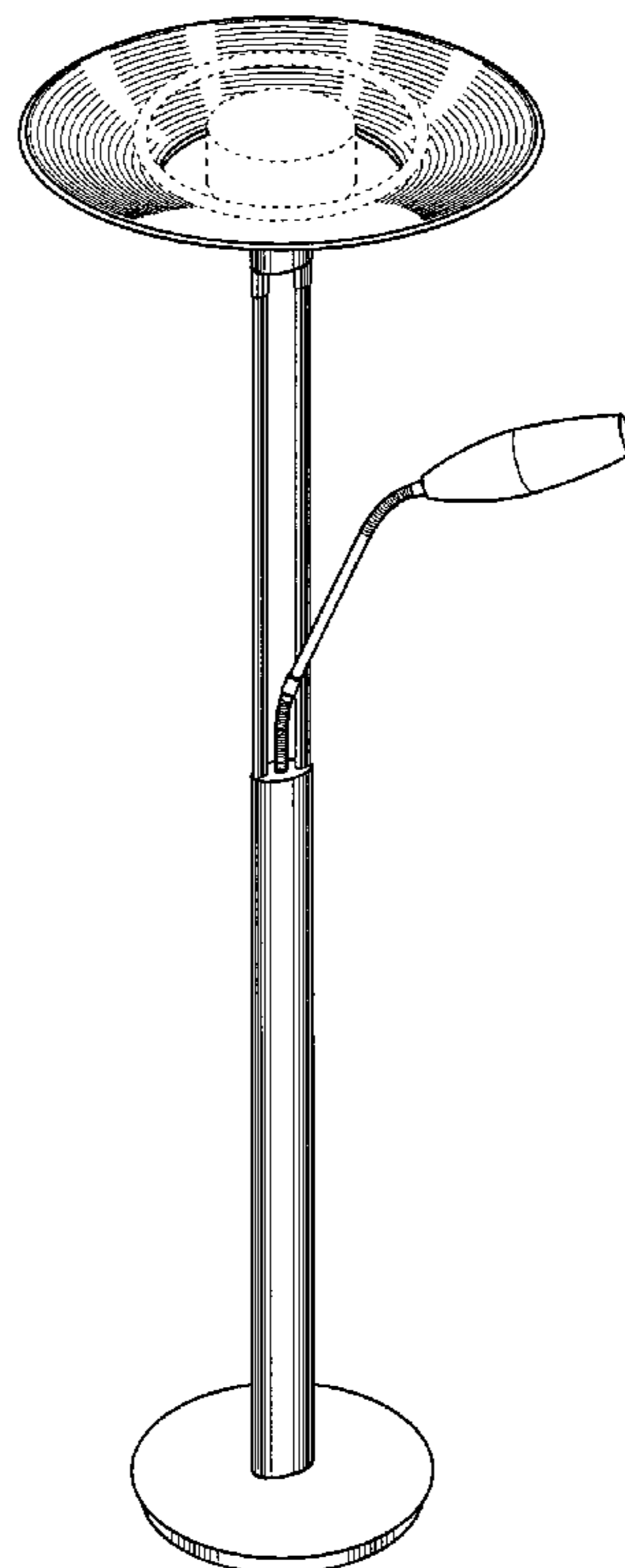
The broken-line disclosure of elements is understood to represent portions of the article in which the design is embodied, but which form no part of the claimed design.

(56) **References Cited**

U.S. PATENT DOCUMENTS

| | | | | | | |
|-----------|----|---|---------|--------------|-------|---------|
| D318,928 | S | * | 8/1991 | Lombardo | | D26/106 |
| 5,381,326 | A | * | 1/1995 | Yeh | | 362/414 |
| D368,548 | S | * | 4/1996 | Lee | | D26/106 |
| D373,843 | S | * | 9/1996 | Sonneman | | D26/106 |
| 5,620,247 | A | * | 4/1997 | Swanson | | 362/414 |
| D381,104 | S | * | 7/1997 | Linstone | | D26/62 |
| D423,705 | S | * | 4/2000 | Swanson | | D26/63 |
| D433,531 | S | * | 11/2000 | Hsu | | D26/112 |
| D448,107 | S | * | 9/2001 | Swanson | | D26/102 |
| 6,886,942 | B2 | * | 5/2005 | Okada et al. | | D26/93 |

1 Claim, 2 Drawing Sheets



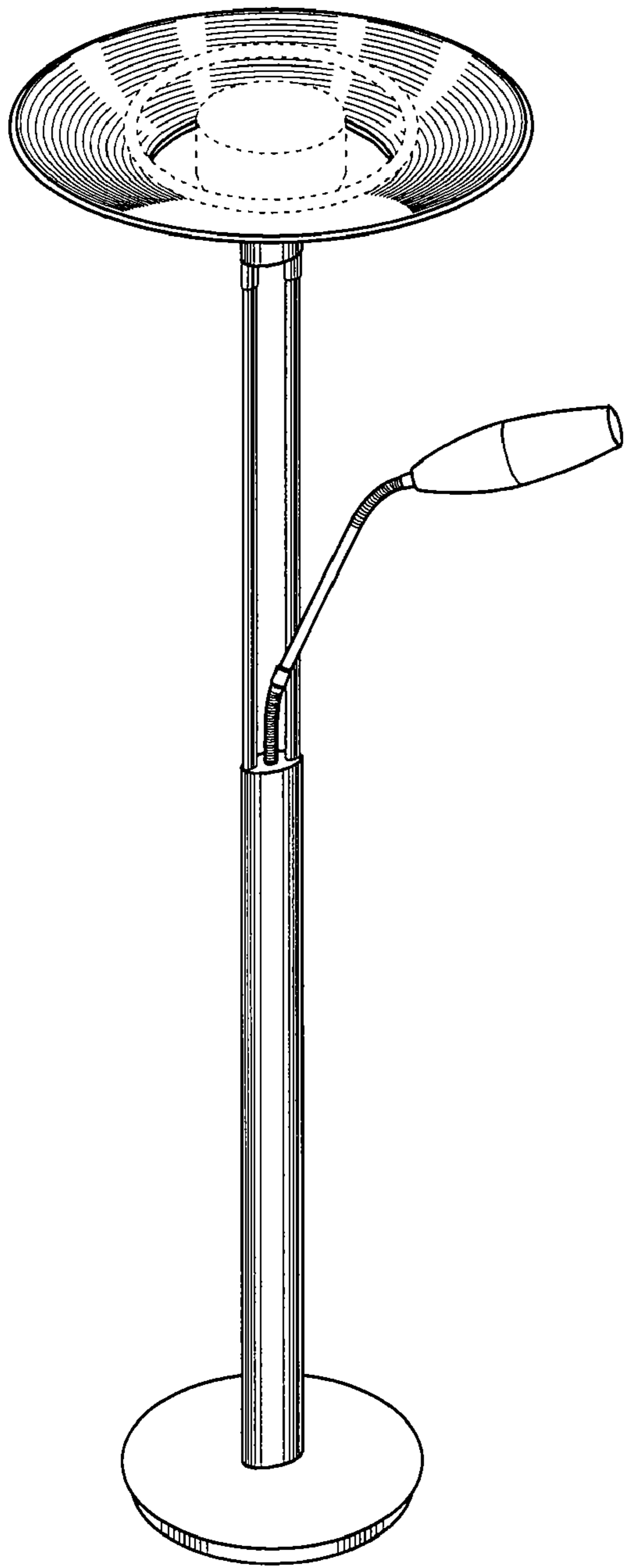


Fig.1

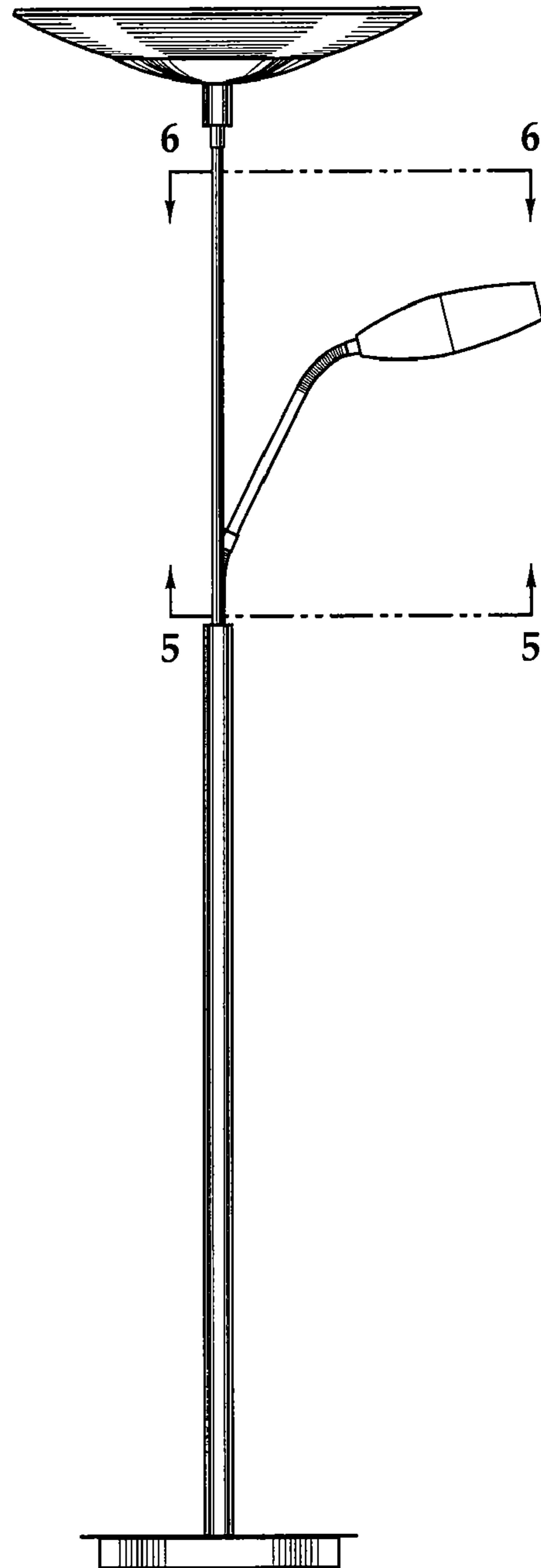


Fig.2

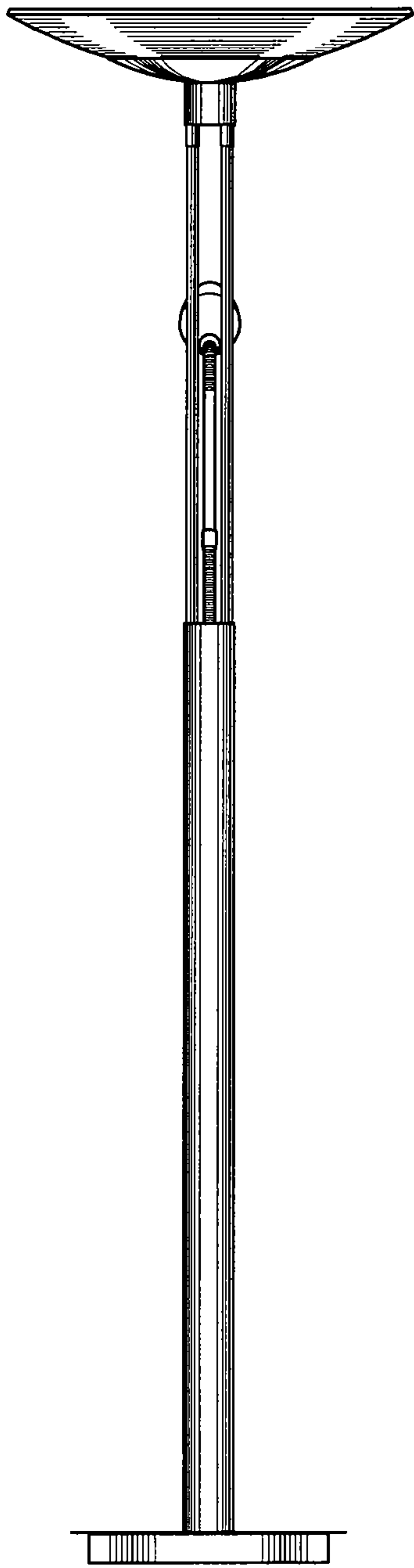


Fig.3

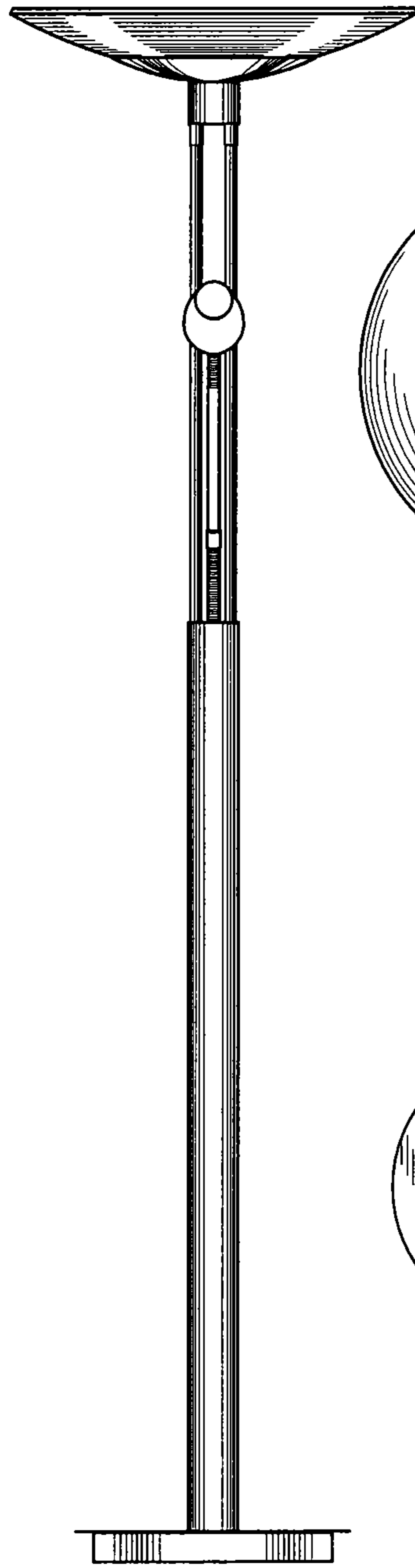


Fig.4

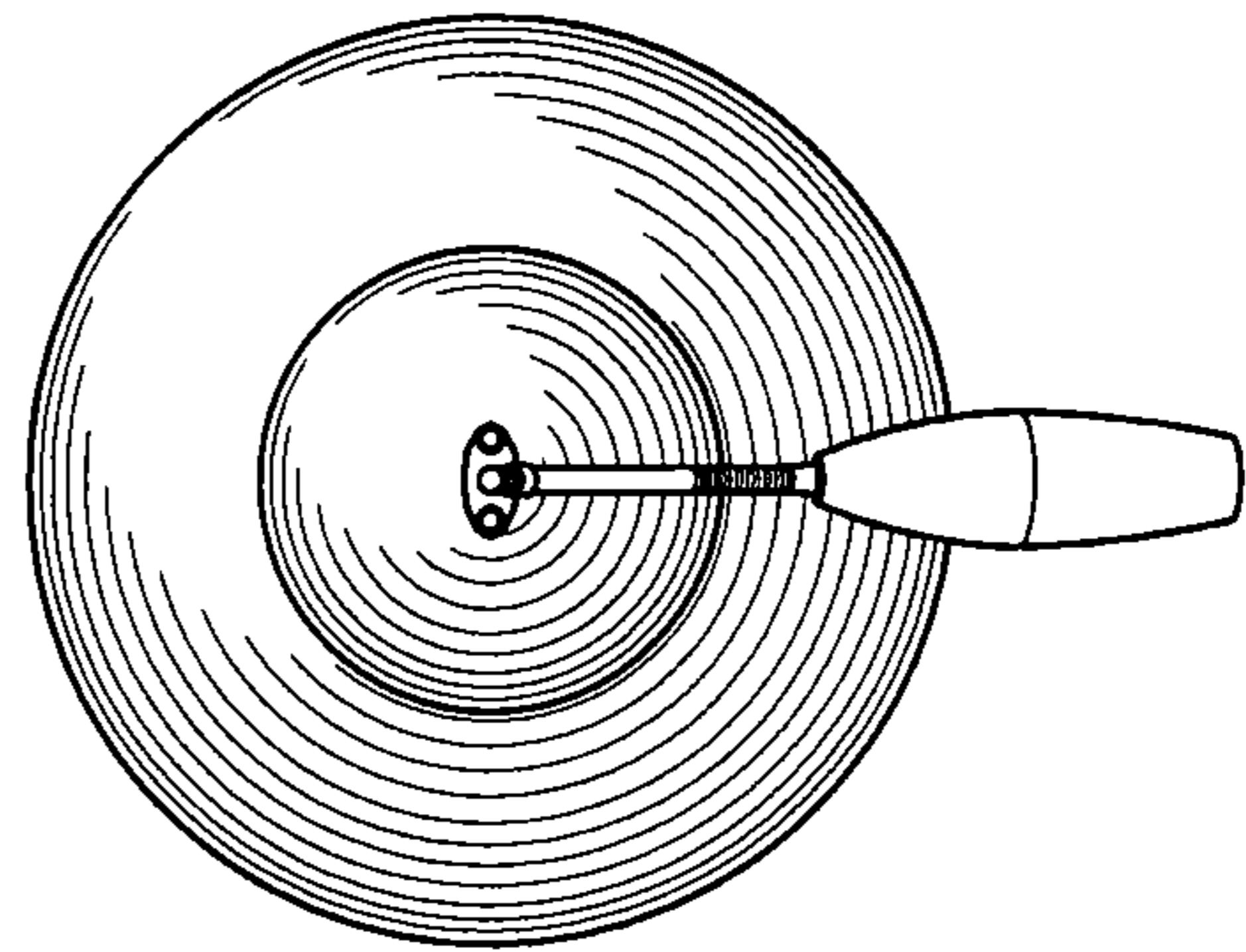


Fig.5

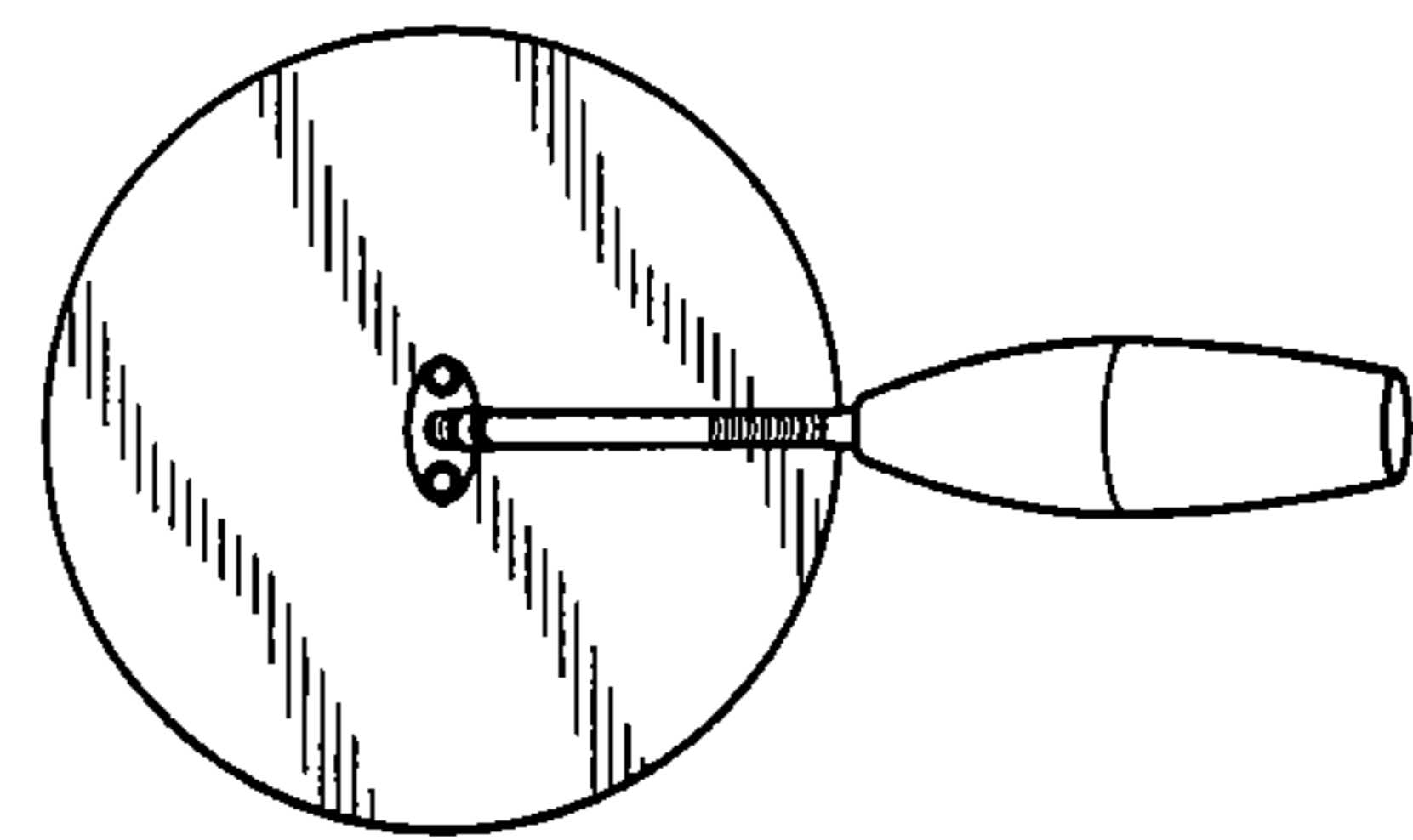


Fig.6