



US00D628337S

(12) **United States Design Patent**
Sabernig

(10) **Patent No.:** **US D628,337 S**

(45) **Date of Patent:** **** Nov. 30, 2010**

(54) **LIGHT FIXTURE**

(75) Inventor: **Robert Sabernig**, Munster (AT)

(73) Assignee: **EGLO Leuchten GmbH**, Innsbruck (AT)

(**) Term: **14 Years**

(21) Appl. No.: **29/352,821**

(22) Filed: **Dec. 28, 2009**

(51) **LOC (9) Cl.** **26-03**

(52) **U.S. Cl.** **D26/93**

(58) **Field of Classification Search** D26/1,
D26/24, 61–66, 93–94, 102–110; 362/3,
362/153, 186, 217, 255, 257, 317, 351, 353,
362/362, 363, 382, 431, 414, 433, 458, 806
See application file for complete search history.

(56) **References Cited**

U.S. PATENT DOCUMENTS

D318,928 S *	8/1991	Lombardo	D26/106
5,381,326 A *	1/1995	Yeh	362/414
D368,548 S *	4/1996	Lee	D26/106
D373,843 S *	9/1996	Sonneman	D26/106
D433,531 S *	11/2000	Hsu	D26/112
6,886,942 B2 *	5/2005	Okada et al.	D26/93
D604,888 S *	11/2009	Swanson	D26/105

* cited by examiner

Primary Examiner—Brian N Vinson

(74) *Attorney, Agent, or Firm*—Baker & McKenzie LLP

(57) **CLAIM**

The ornamental design for a light fixture, as shown and described.

DESCRIPTION

FIG. 1 is a perspective view of a light fixture in accordance with my design;

FIG. 2 is a front elevation view of the light fixture in accordance with my design, the opposite view being a mirror image thereof;

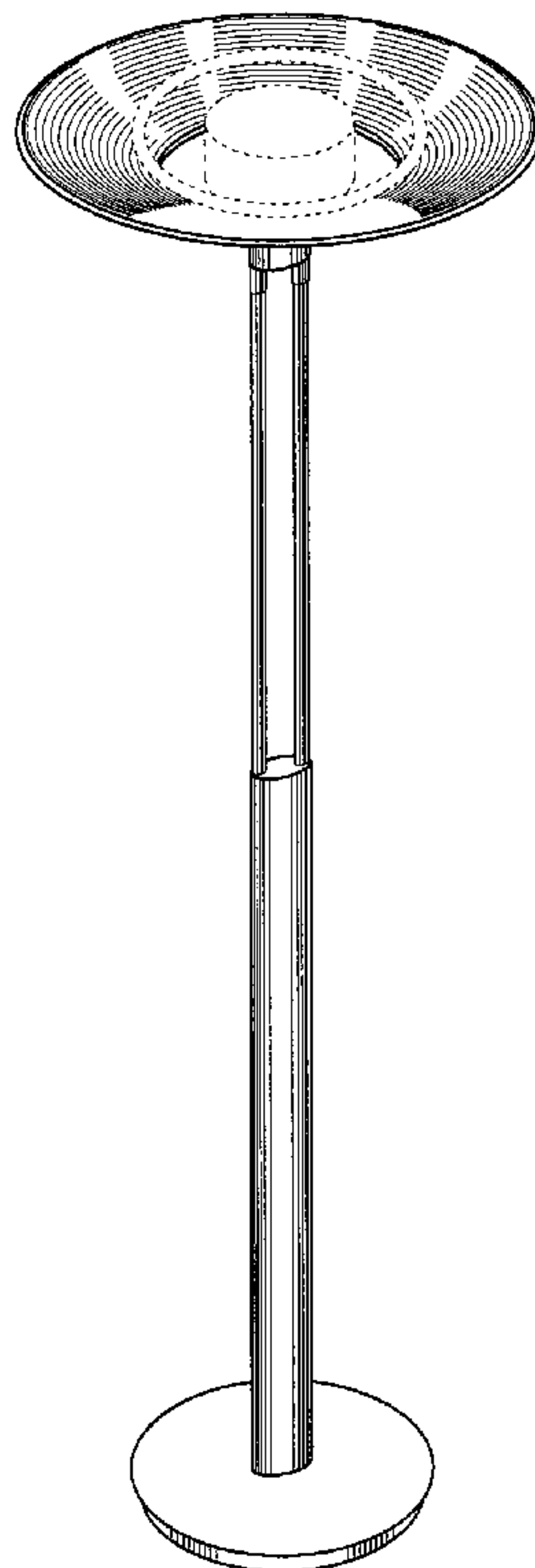
FIG. 3 is a side elevation view of the light fixture in accordance with my design, the opposite view being a mirror image thereof;

FIG. 4 is a cross-sectional view taken along line 4—4 in FIG. 2; and,

FIG. 5 is a cross-sectional view taken along line 5—5 in FIG. 2.

The broken-line disclosure of elements is understood to represent portions of the article in which the design is embodied, but which form no part of the claimed design.

1 Claim, 1 Drawing Sheet



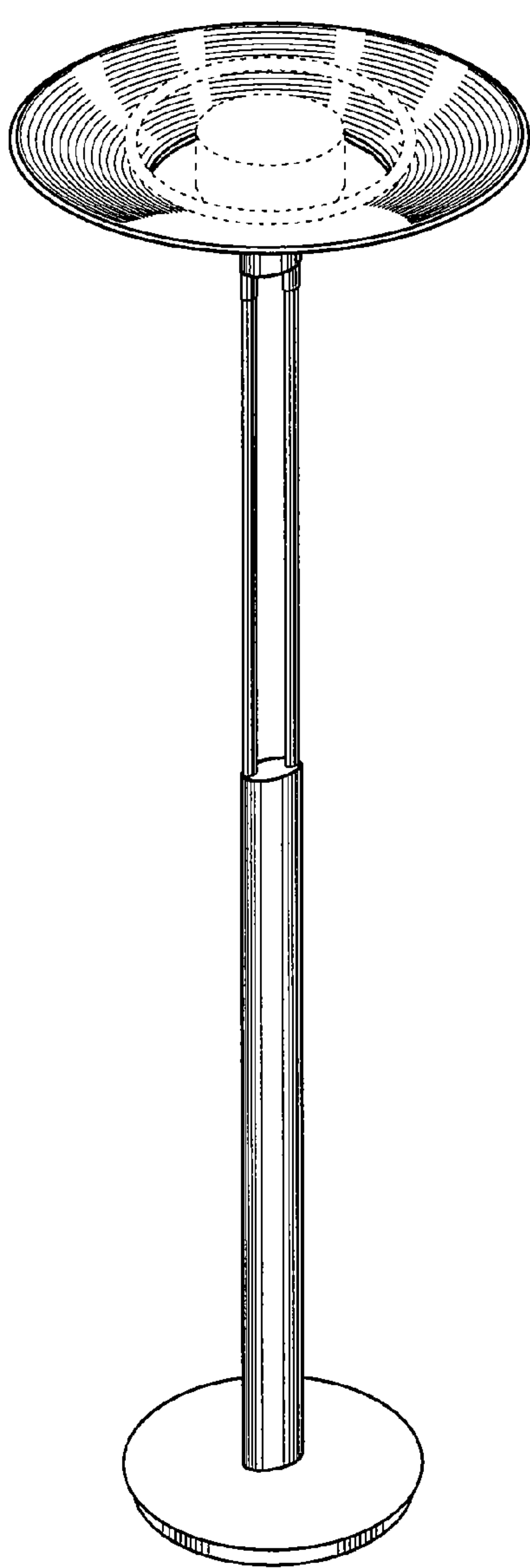


Fig.1

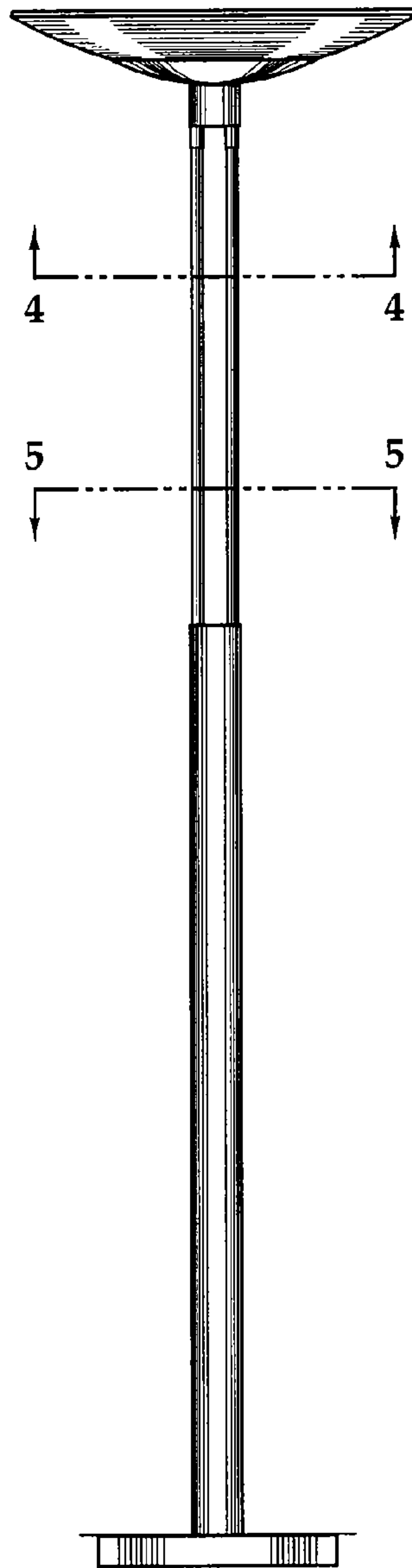


Fig.2

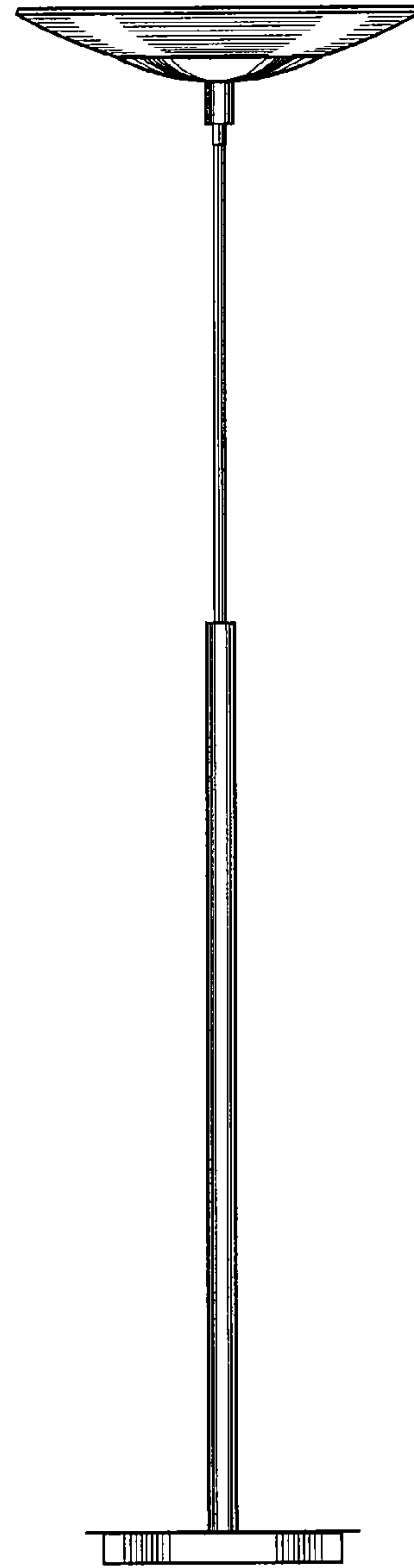


Fig.3

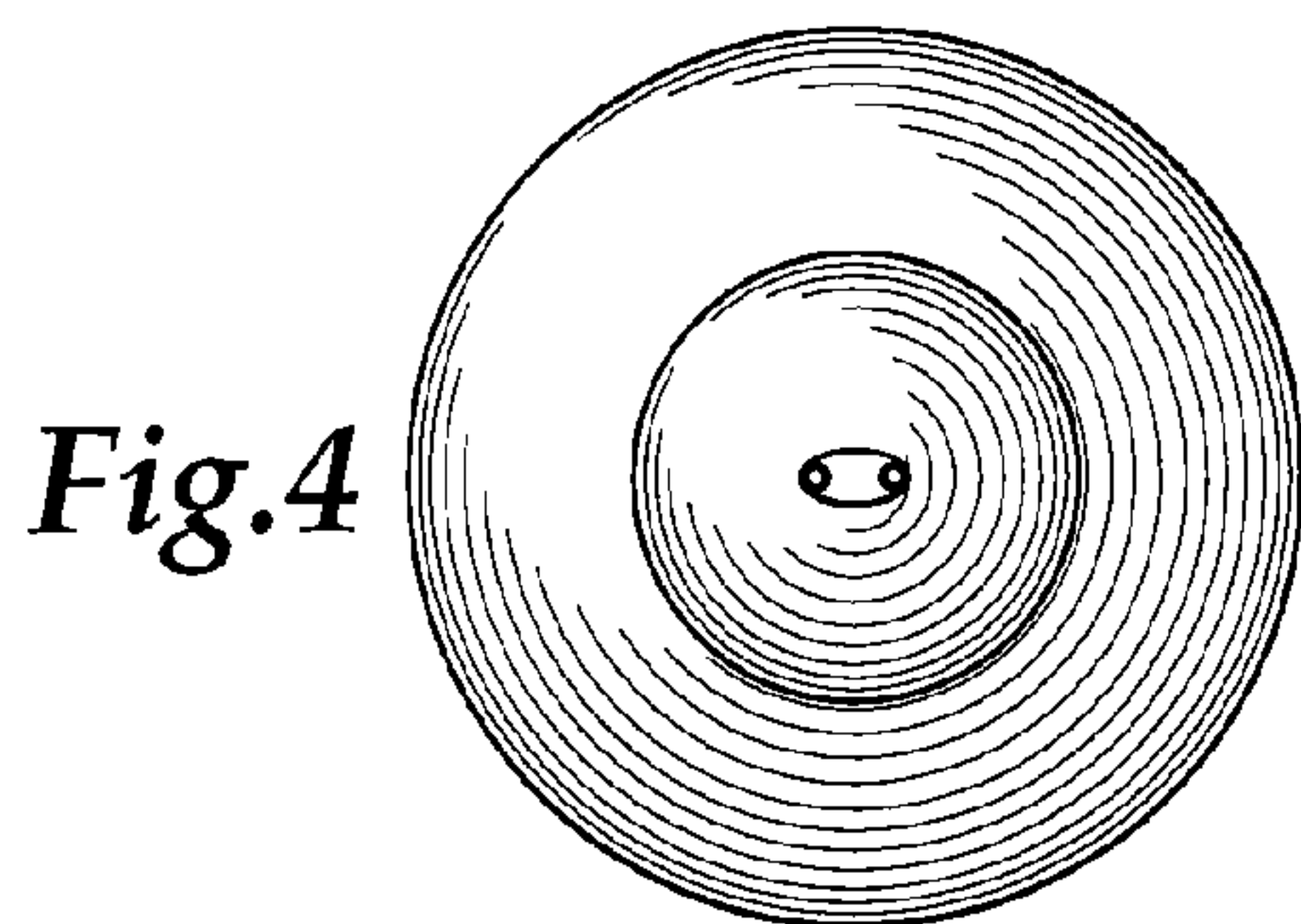


Fig.4

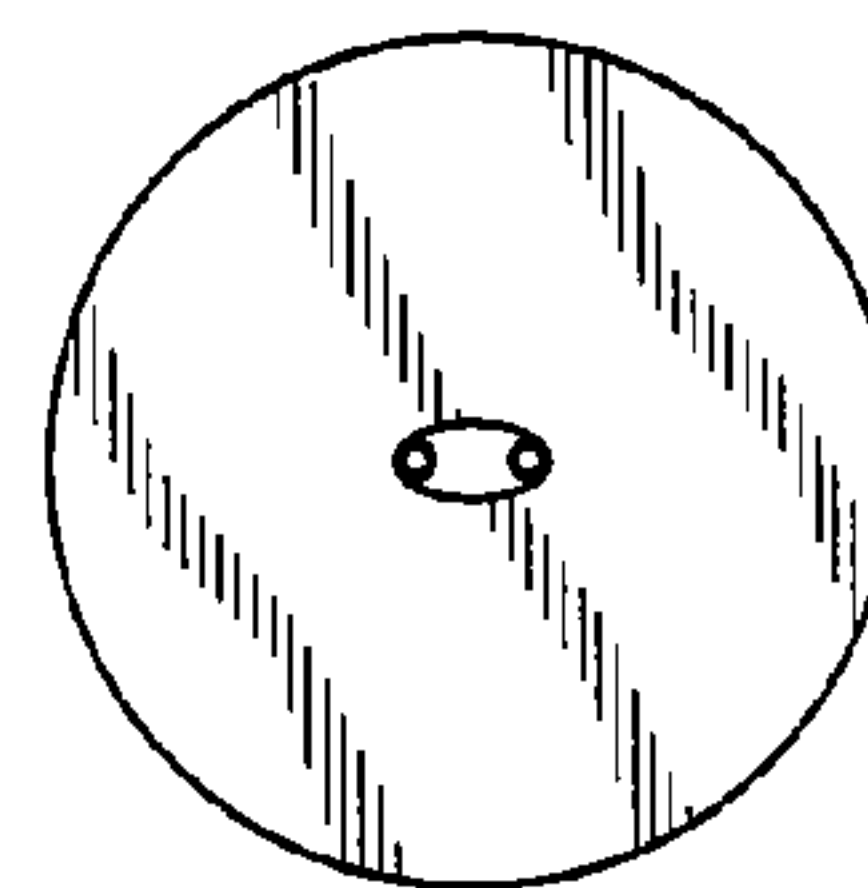


Fig.5