



US00D628335S

(12) **United States Design Patent**
Hyland

(10) **Patent No.:** **US D628,335 S**

(45) **Date of Patent:** **** Nov. 30, 2010**

(54) **DROP-IN CEILING LIGHT FIXTURE**

(76) **Inventor:** **Edward B. Hyland**, 3 Buddington Park,
Huntington, CT (US) 06484

(**) **Term:** **14 Years**

(21) **Appl. No.:** **29/316,202**

(22) **Filed:** **Sep. 1, 2009**

(51) **LOC (9) Cl.** **26-05**

(52) **U.S. Cl.** **D26/74**

(58) **Field of Classification Search** D26/72,
D26/74, 75, 76, 77, 78, 79, 80, 81, 82, 83,
D26/84, 85, 86, 88, 89, 90, 91, 1, 2, 3, 24,
D26/56; D13/180, 182; 362/555, 576, 147,
362/150, 217.01, 219, 217.02, 217.03, 217.04,
362/217.05, 217.08, 217.09, 260, 364, 365,
362/366, 404, 800

See application file for complete search history.

(56) **References Cited**

U.S. PATENT DOCUMENTS

D165,259 S *	11/1951	Baker	D26/74
D365,159 S *	12/1995	Tinen	D25/138
D437,446 S *	2/2001	Reo et al.	D26/91
D514,732 S *	2/2006	Benensohn	D26/89
D577,454 S *	9/2008	Maxik et al.	D26/63
D592,347 S *	5/2009	Trott et al.	D26/74

D592,348 S *	5/2009	Trott et al.	D26/74
D596,784 S *	7/2009	Silver	D26/91
D601,741 S *	10/2009	Trott et al.	D26/74
D611,642 S *	3/2010	Sieczkowski et al.	D26/74
D614,338 S *	4/2010	Sieczkowski et al.	D26/74
D616,385 S *	5/2010	Chen et al.	D13/180
2008/0025031 A1 *	1/2008	Wronski et al.	362/365

* cited by examiner

Primary Examiner—Angela J Lee

(74) *Attorney, Agent, or Firm*—Ware, Fressola, Van Der Sluys & Adolphson, LLP

(57) **CLAIM**

The ornamental design for a drop-in ceiling light fixture, as shown and described.

DESCRIPTION

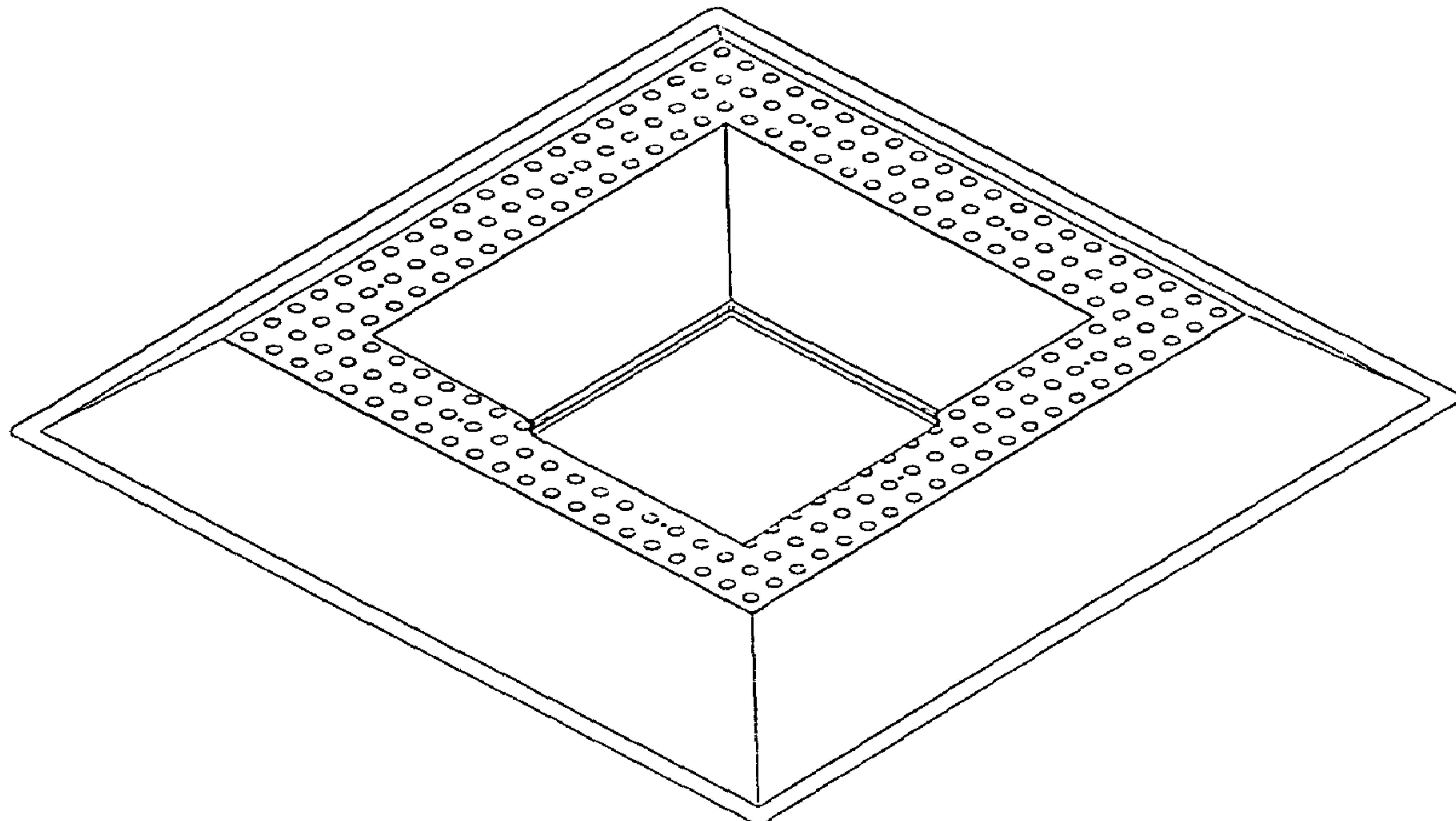
FIG. 1 is a perspective view of the drop-in ceiling light fixture of the invention;

FIG. 2 is a front elevation view of the drop-in ceiling light fixture of FIG. 1, the right side, left side and back elevation views being the same;

FIG. 3 is a top view of the drop-in ceiling light fixture of FIG. 1; and,

FIG. 4 is a bottom view of the drop-in ceiling light fixture of FIG. 1.

1 Claim, 2 Drawing Sheets



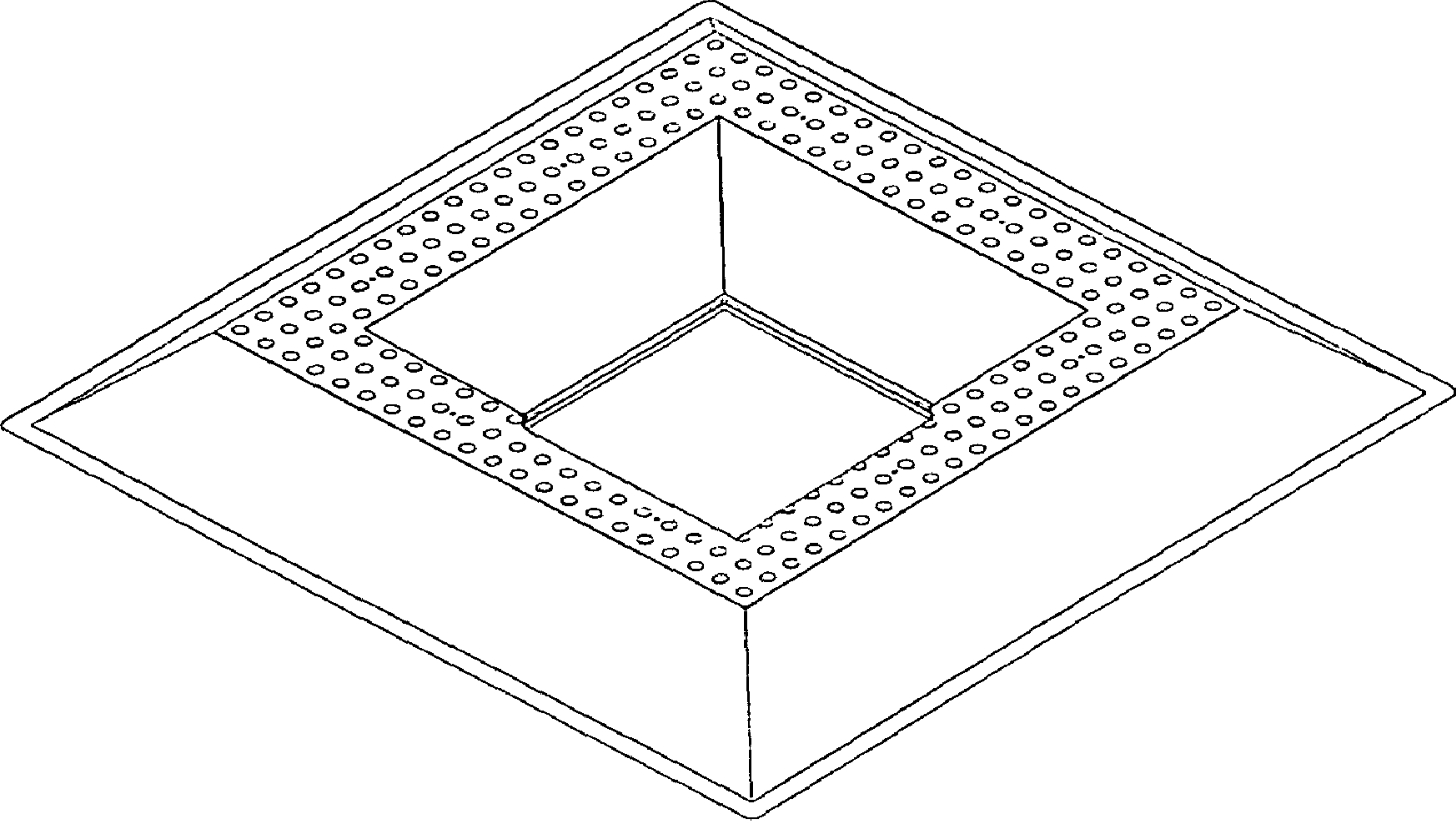


FIG. 1



FIG. 2

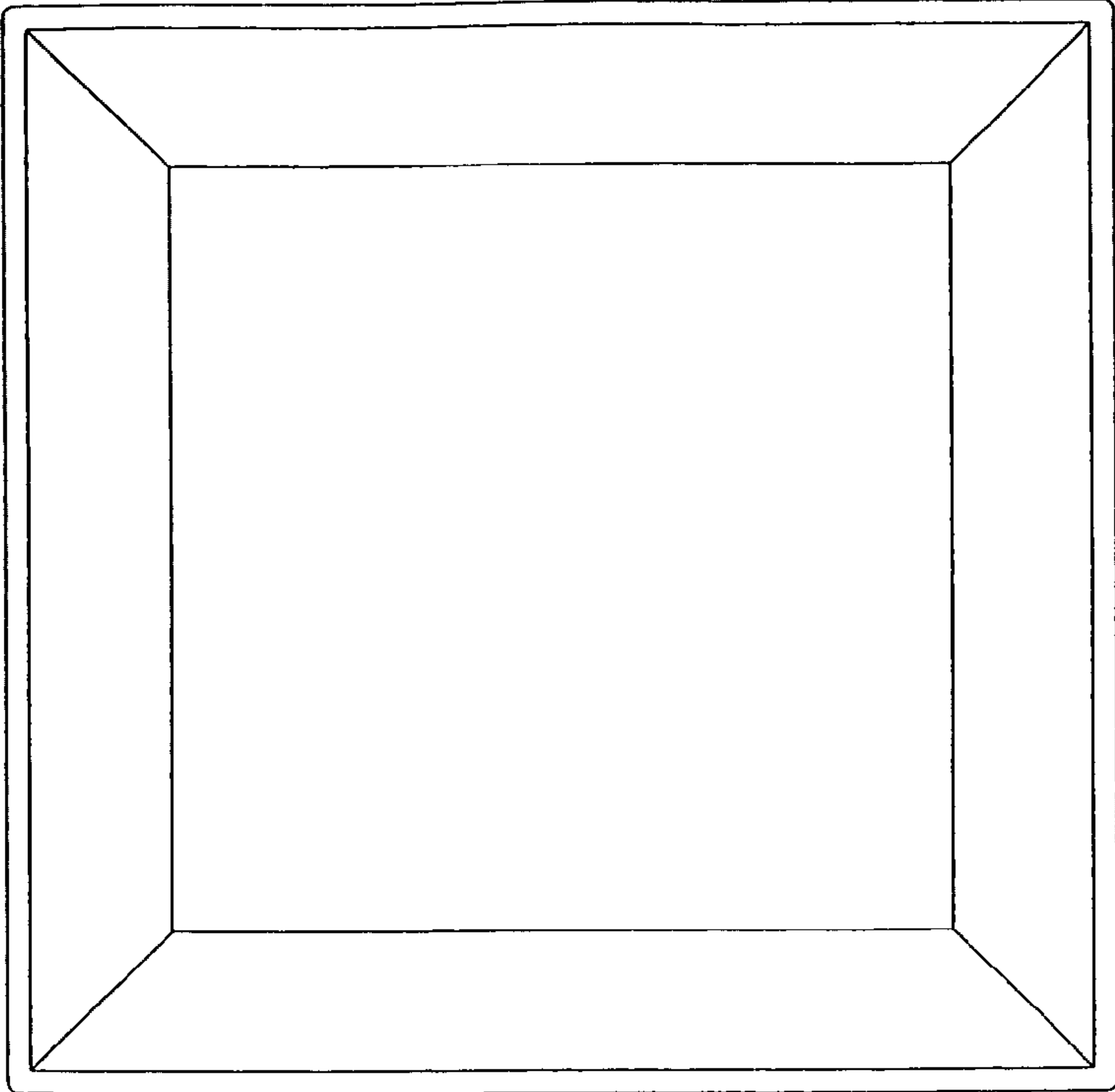


FIG. 3

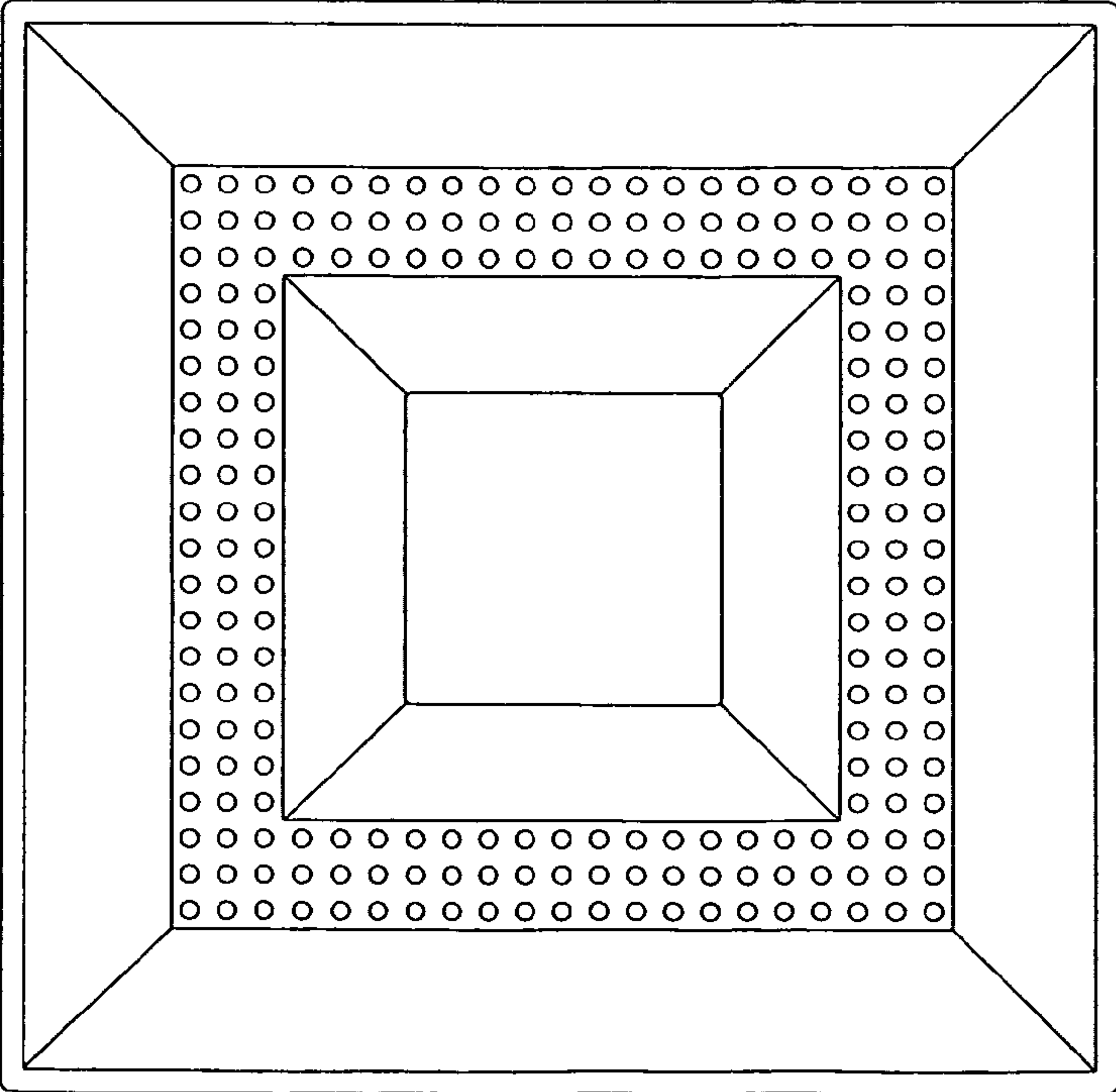


FIG. 4