



US00D628333S

(12) **United States Design Patent**
Bretschneider

(10) **Patent No.:** **US D628,333 S**

(45) **Date of Patent:** **** Nov. 30, 2010**

(54) **LAMP MOUNTING**

(75) Inventor: **Martin Bretschneider**, Braunschweig (DE)

(73) Assignee: **GINGCO.NET Werbeagentur GmbH & Co. KG**, Braunschweig (DE)

(**) Term: **14 Years**

(21) Appl. No.: **29/356,503**

(22) Filed: **Feb. 26, 2010**

(30) **Foreign Application Priority Data**

Sep. 1, 2009 (DE) 40 2009 004 100

(51) **LOC (9) Cl.** **26-03**

(52) **U.S. Cl.** **D26/71; D26/63**

(58) **Field of Classification Search** D26/63,
D26/67-71, 85, 92; 362/145, 183, 231, 240,
362/249.02, 249.03, 249.04, 249.06, 249.16,
362/426, 427, 431

See application file for complete search history.

(56) **References Cited**

U.S. PATENT DOCUMENTS

1,850,598	A *	3/1932	Bassett et al.	318/695
D105,288	S *	7/1937	Levy	D26/63
D127,833	S *	6/1941	Price	D26/63
RE23,193	E *	1/1950	Packer et al.	362/371
D177,916	S *	6/1956	Keck et al.	D26/145
D198,986	S *	8/1964	Izzi	D26/63
D201,700	S *	7/1965	Stockwell	D26/71
D236,909	S *	9/1975	Richilano	D26/68
D266,958	S *	11/1982	Gernhardt	D26/92

D395,140	S *	6/1998	O'Rourke	D26/140
6,132,062	A *	10/2000	Borders et al.	362/33
D459,823	S *	7/2002	Kolbe	D26/63
D464,455	S *	10/2002	Fong et al.	D26/63
D560,300	S *	1/2008	Compton et al.	D26/61
D573,743	S *	7/2008	Yan et al.	D26/71
D574,989	S *	8/2008	Rodzwil	D26/63
D577,453	S *	9/2008	Metlen	D26/63
D589,192	S *	3/2009	Sabernig	D26/63
D614,790	S *	4/2010	Nibaldi	D26/71
D615,230	S *	5/2010	van Klinken	D26/63
D617,930	S *	6/2010	Chen	D26/63

* cited by examiner

Primary Examiner—Clare E Heflin

(74) *Attorney, Agent, or Firm*—Whitham, Curtis, Christofferson & Cook, P.C.

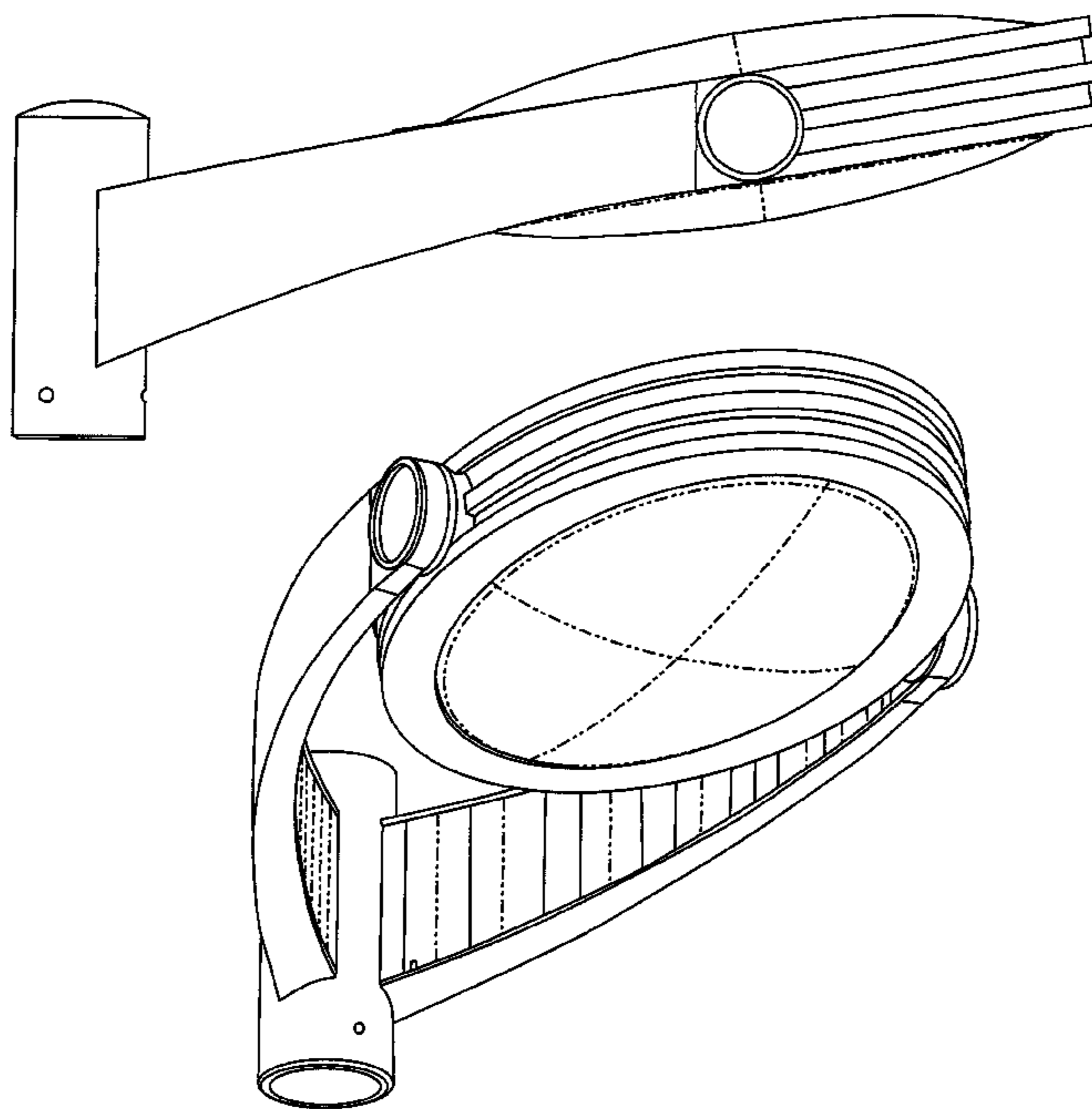
(57) **CLAIM**

I claim the ornamental design for the lamp mounting, as shown and described.

DESCRIPTION

- FIG. 1 is a top view of the lamp mounting;
- FIG. 2 is a right side view of the lamp mounting;
- FIG. 3 is a perspective rear view of the lamp mounting;
- FIG. 4 is a perspective front view of the lamp mounting;
- FIG. 5 is a left side view of the lamp mounting;
- FIG. 6 is a back view of the lamp mounting;
- FIG. 7 is a front view of the lamp mounting; and,
- FIG. 8 is a bottom view of the lamp mounting.

1 Claim, 8 Drawing Sheets



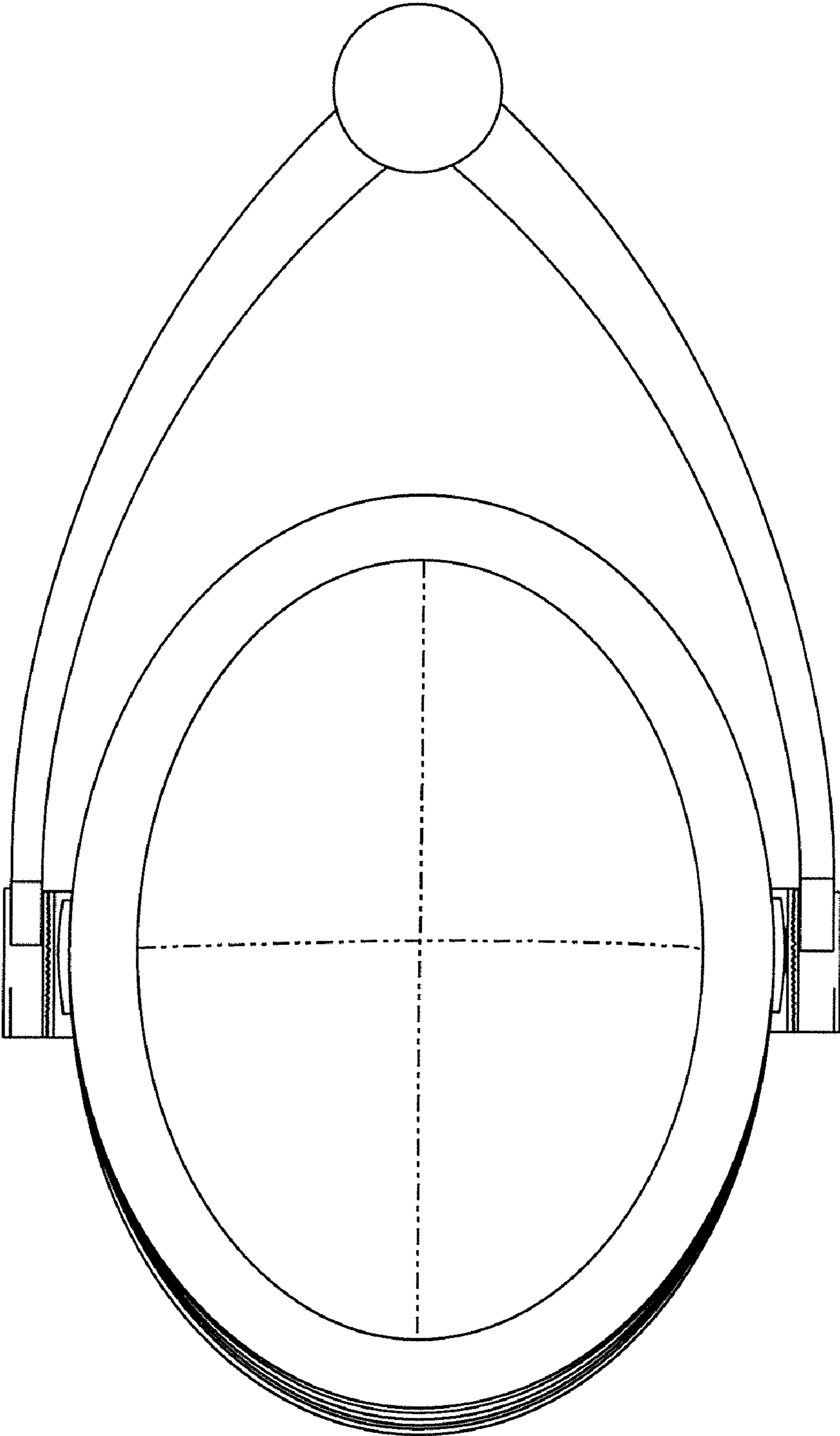


FIGURE 1

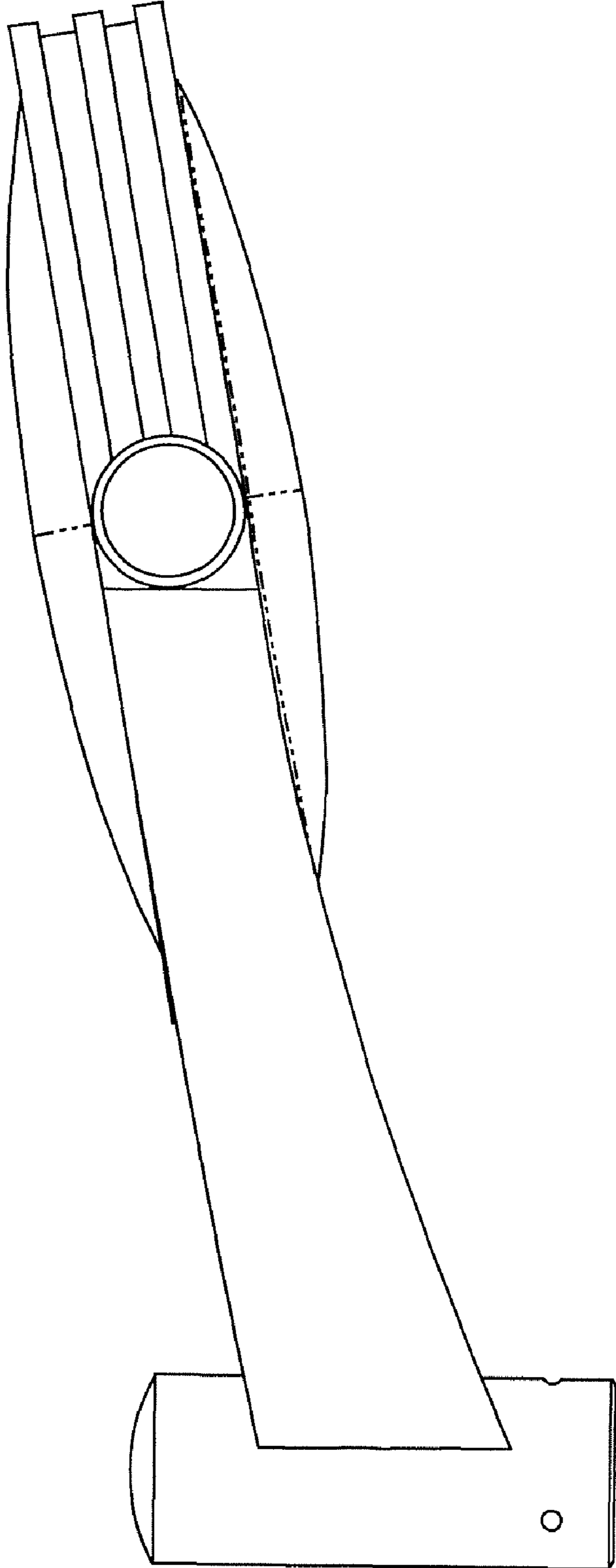


FIGURE 2

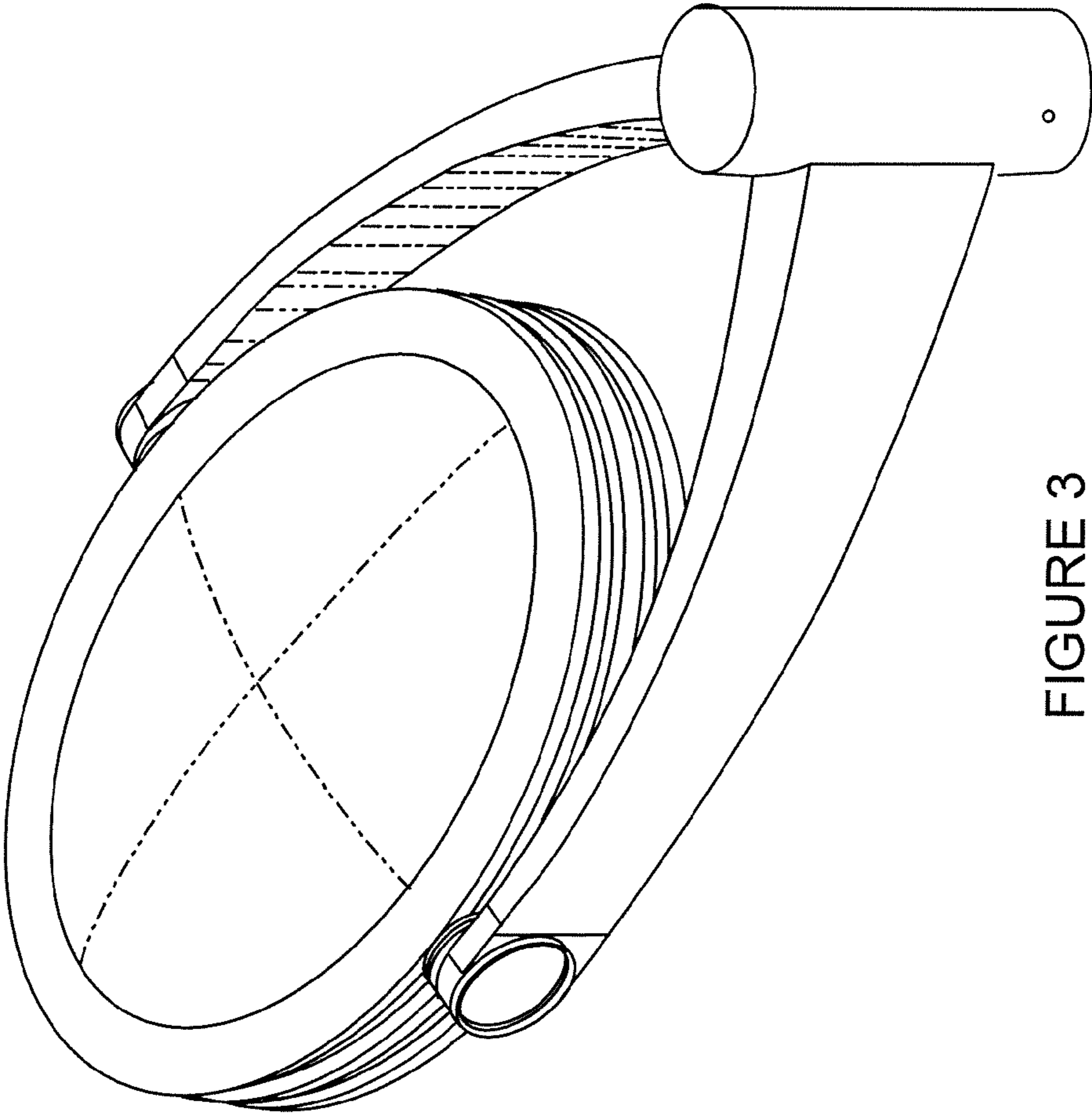


FIGURE 3

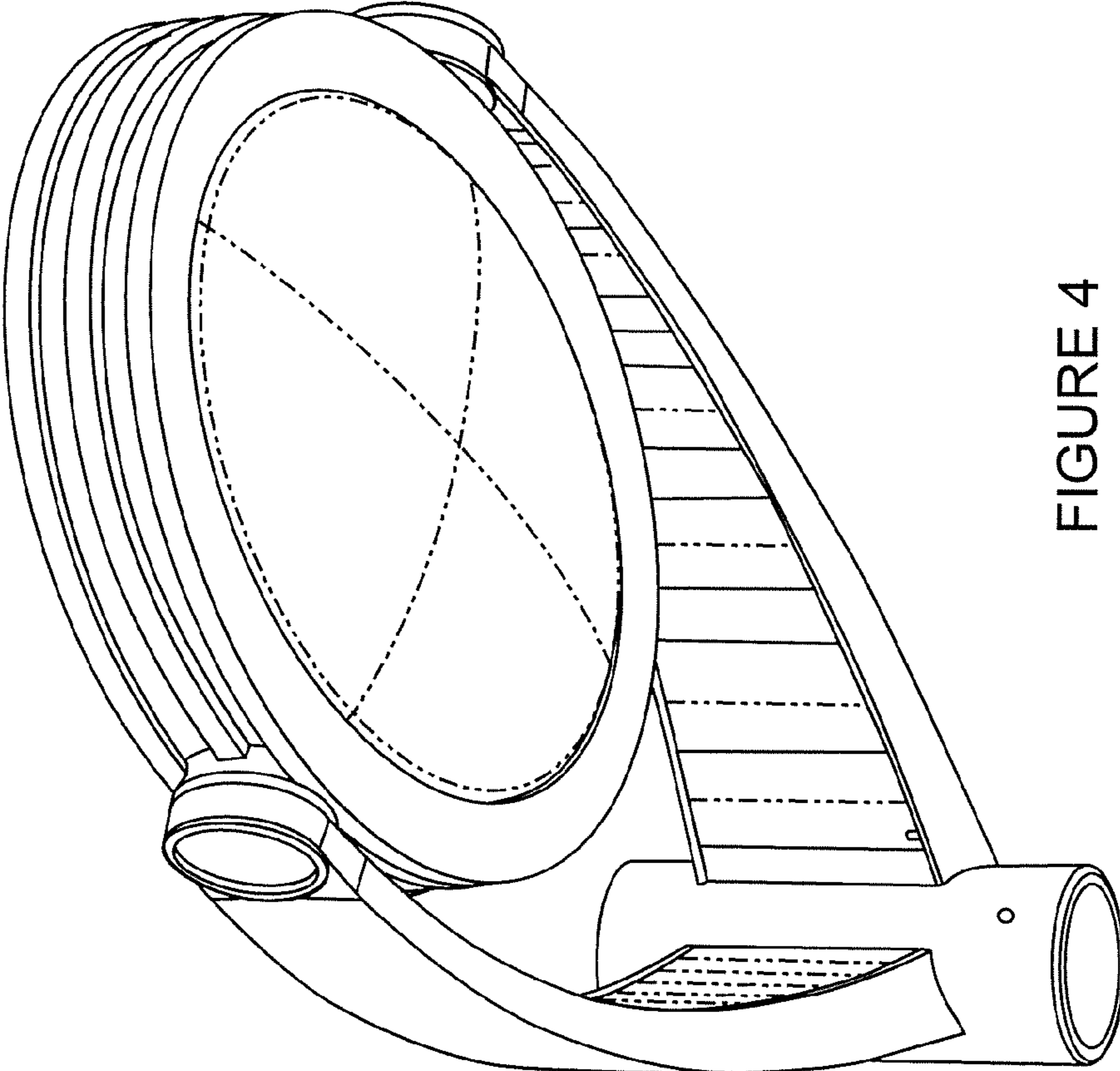


FIGURE 4

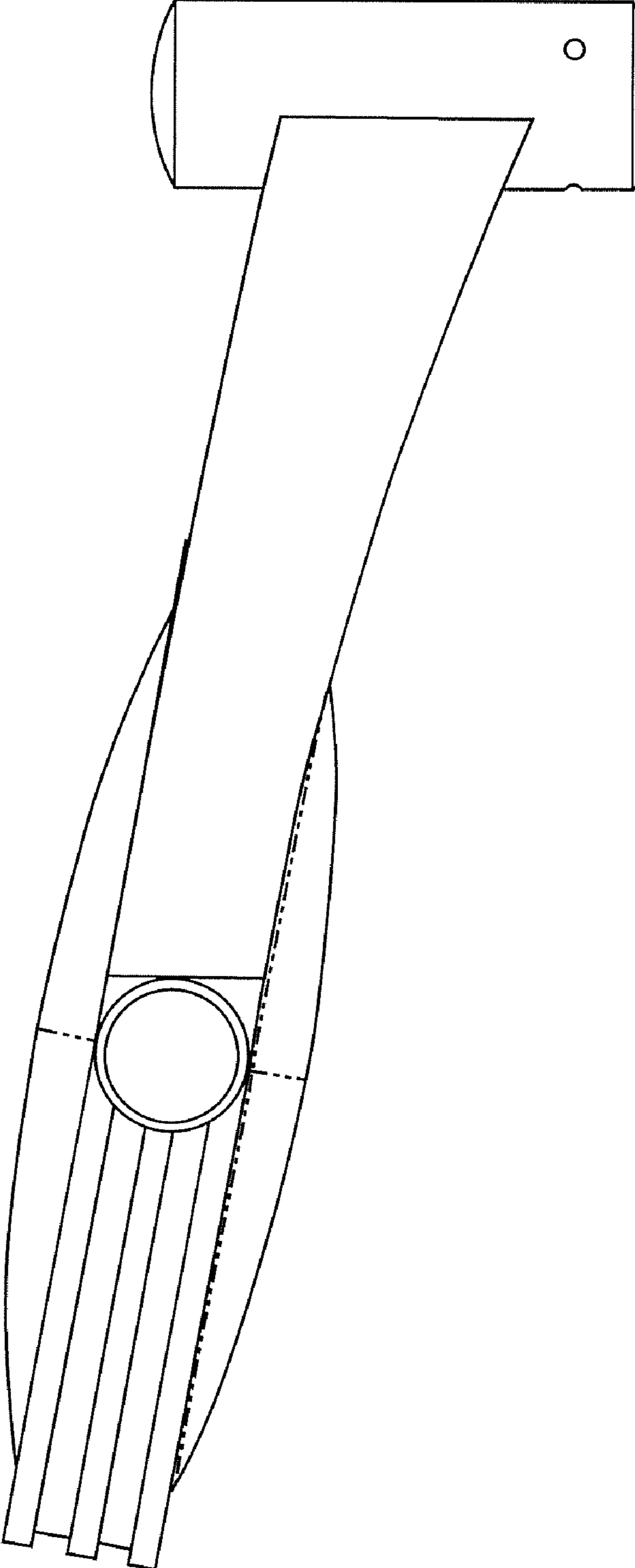


FIGURE 5

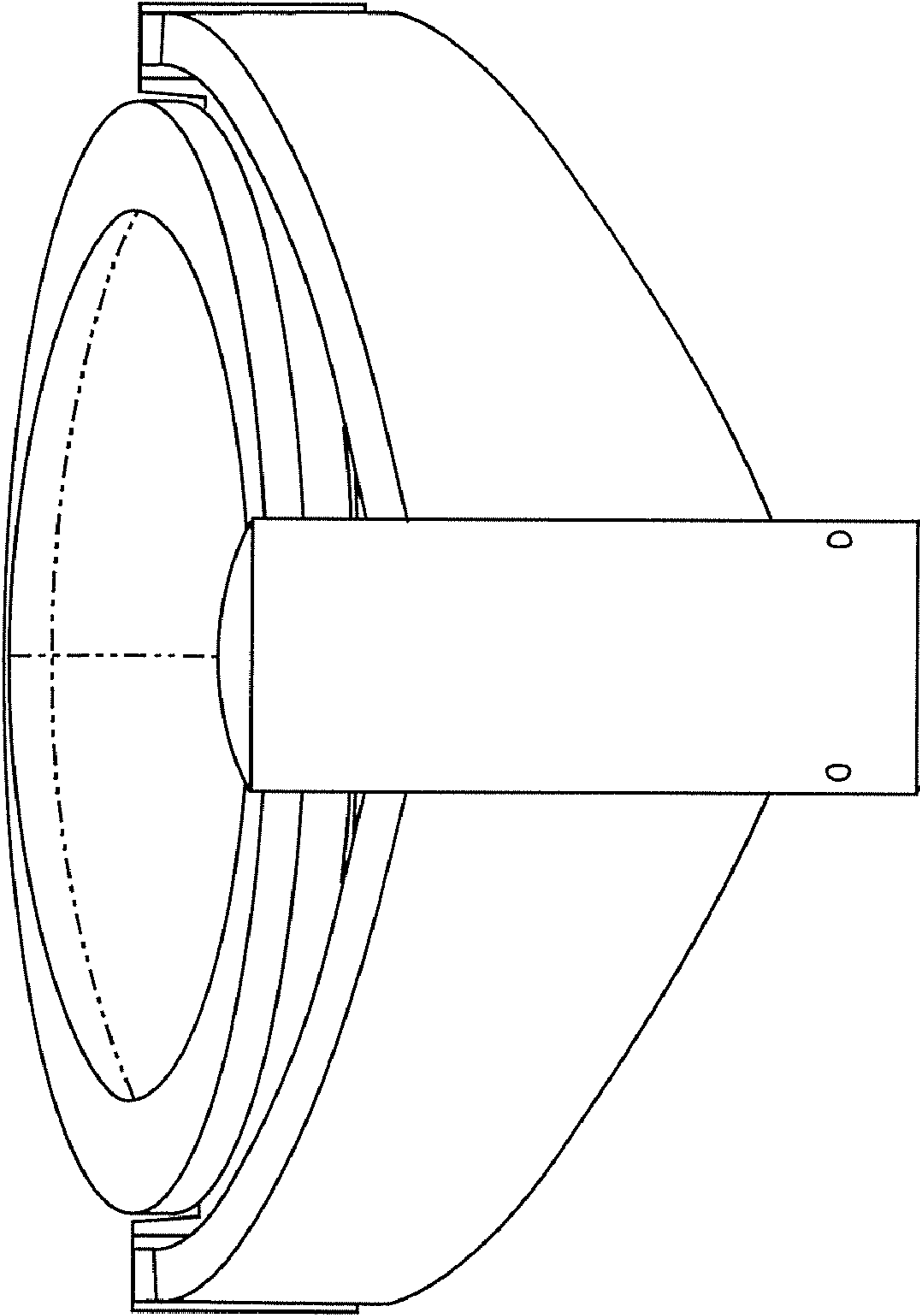


FIGURE 6

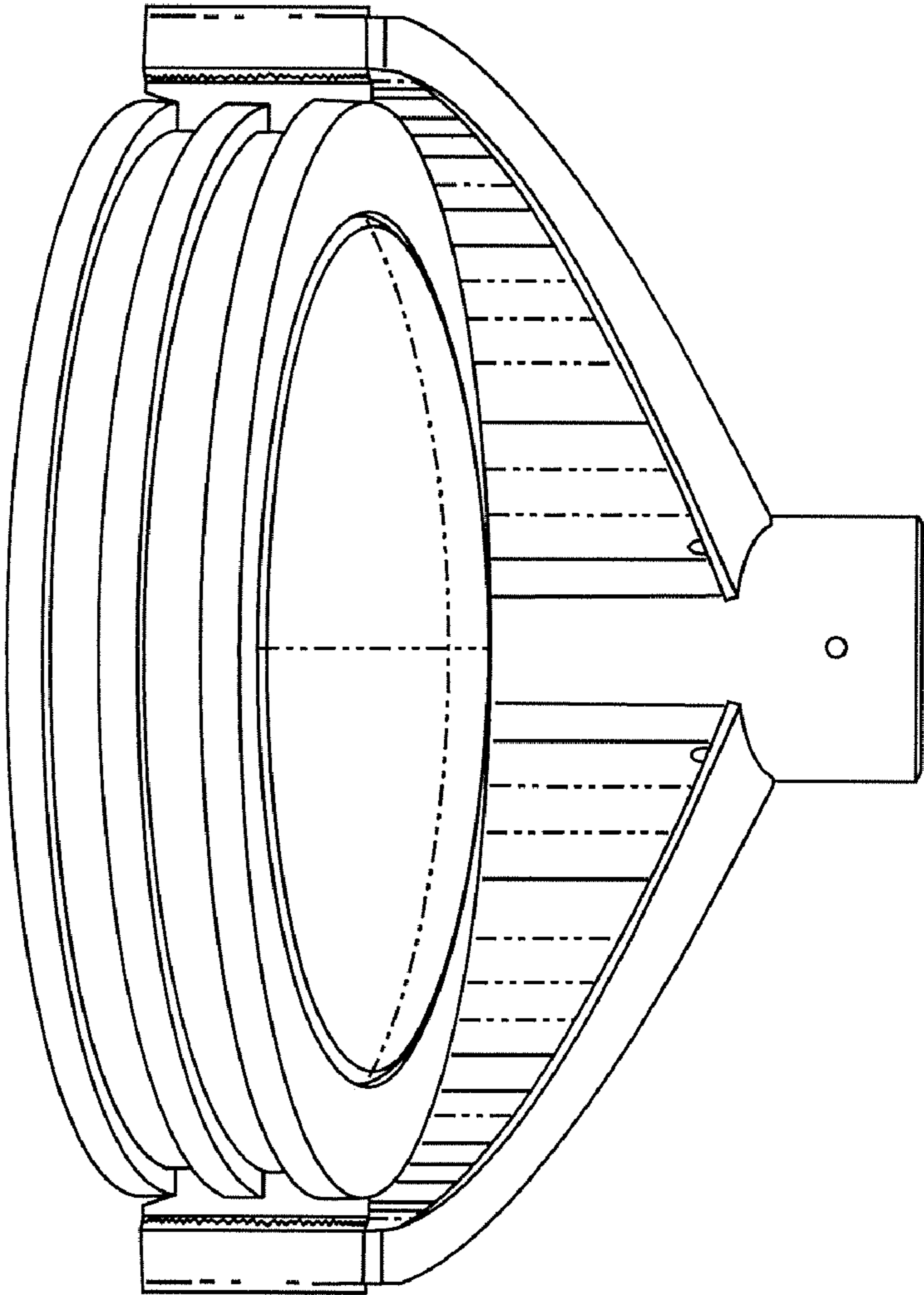


FIGURE 7

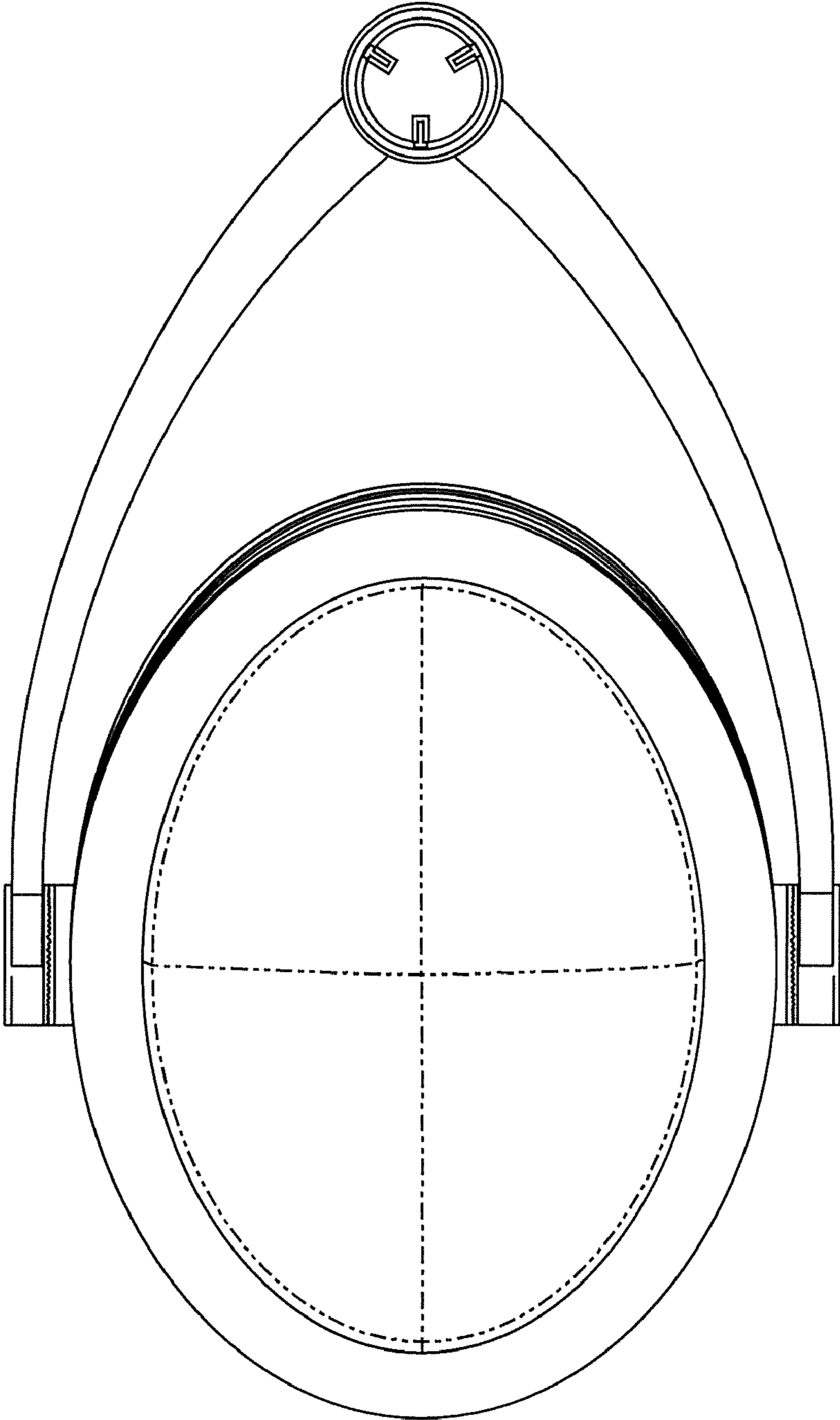


FIGURE 8