



US00D628332S

(12) **United States Design Patent**
Yang et al.

(10) **Patent No.:** **US D628,332 S**

(45) **Date of Patent:** **** Nov. 30, 2010**

(54) **PIN STRIPED THIN FILM SOLAR MODULE FOR STREET LAMP**

(75) Inventors: **Frank Yang**, San Jose, CA (US); **Robert Wieting**, San Jose, CA (US)

(73) Assignee: **Stion Corporation**, San Jose, CA (US)

(**) Term: **14 Years**

(21) Appl. No.: **29/338,554**

(22) Filed: **Jun. 12, 2009**

(51) **LOC (9) Cl.** **26-05**

(52) **U.S. Cl.** **D26/68**

(58) **Field of Classification Search** D26/67,
D26/68, 69, 70, 71, 81, 86, 89, 128; 362/147,
362/431

See application file for complete search history.

(56) **References Cited**

U.S. PATENT DOCUMENTS

D37,742 S *	12/1905	Davis	D26/68
D42,284 S *	3/1912	Grelle	D26/69
D47,997 S *	10/1915	Guth	D26/108
D50,530 S *	3/1917	Landwehr	D26/68
D60,453 S *	2/1922	Gosling	D26/67
D65,603 S *	9/1924	Halvorson, Jr.	D26/68
1,741,693 A *	12/1929	Gillinder	362/299
D105,435 S *	7/1937	Griffin	D26/67
2,097,187 A *	10/1937	Hron	338/73
D213,530 S *	3/1969	Kahn	D10/114
4,335,266 A	6/1982	Mickelsen et al.		
4,441,113 A	4/1984	Madan		
4,461,922 A	7/1984	Gay et al.		
4,465,575 A	8/1984	Love et al.		
4,471,155 A	9/1984	Mohr et al.		
4,499,658 A	2/1985	Lewis		
4,507,181 A	3/1985	Nath et al.		
4,517,403 A	5/1985	Morel et al.		
4,532,372 A	7/1985	Nath et al.		
4,542,255 A	9/1985	Tanner et al.		

4,581,108 A	4/1986	Kapur et al.
4,589,194 A	5/1986	Roy
4,598,306 A	7/1986	Nath et al.
4,599,154 A	7/1986	Bender et al.

(Continued)

FOREIGN PATENT DOCUMENTS

AU 7865198 2/1999

(Continued)

OTHER PUBLICATIONS

Huang et al., Photoluminescence and Electroluminescence of ZnS:Cu Nanocrystals in Polymeric Networks, Applied Physics, Lett. 70 (18), May 5, 1997, pp. 2335-2337.

(Continued)

Primary Examiner—Clare E Heflin

(74) *Attorney, Agent, or Firm*—Townsend and Townsend and Crew LLP

(57) **CLAIM**

The ornamental design for a pin striped thin film solar module for street lamp, as shown and described.

DESCRIPTION

FIG. 1 shows a simplified perspective view of a pin striped thin film solar module for street lamp showing our new design according to a first embodiment of the invention.

FIG. 2 is a front side elevational view thereof.

FIG. 3 is left side elevational view thereof.

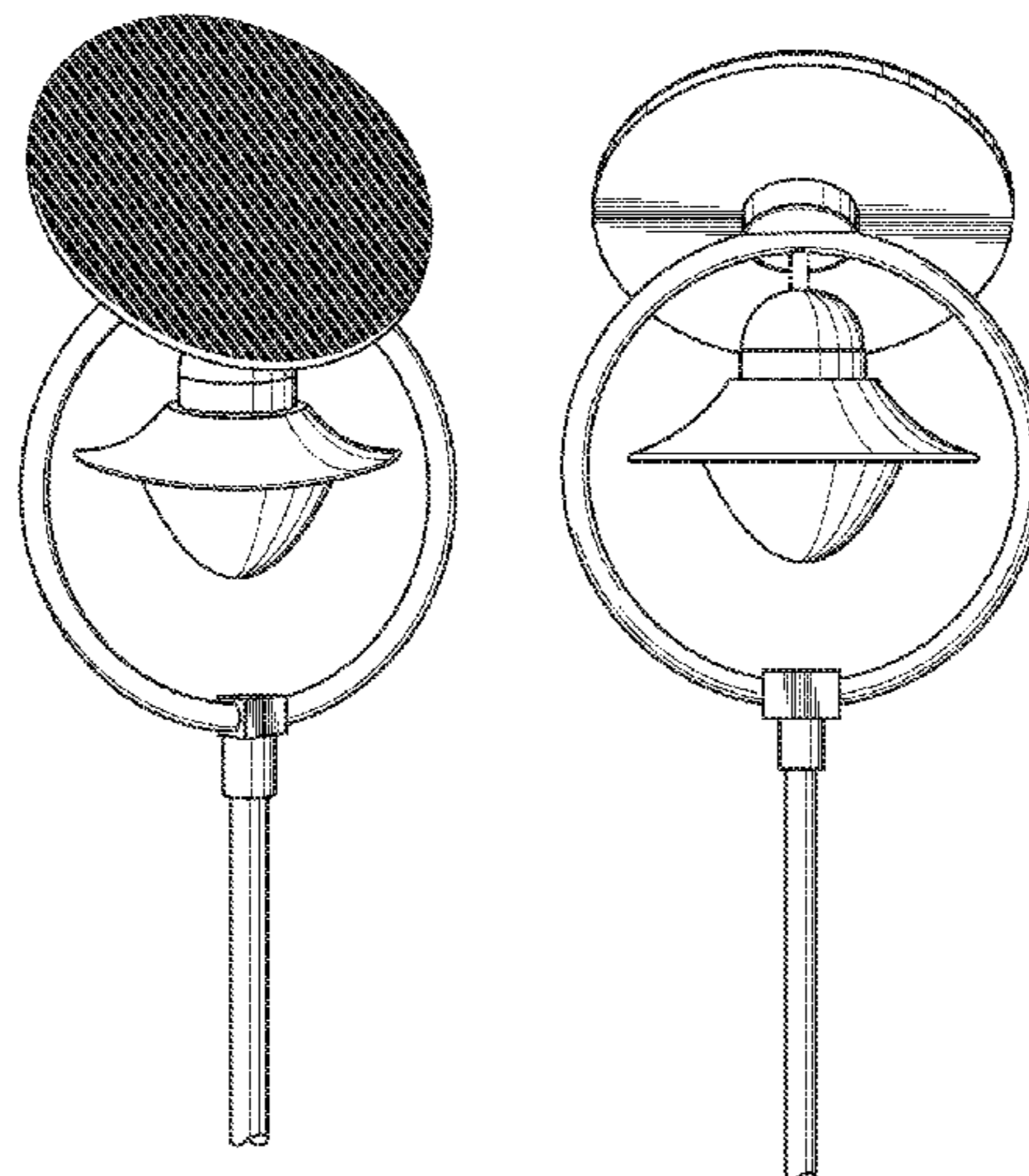
FIG. 4 is right side elevational view thereof.

FIG. 5 is a top plan view thereof; and,

FIG. 6 is a bottom angled view thereof.

The broken lines shown on the drawings depict portions of the fixture that form no part of the claimed design.

1 Claim, 6 Drawing Sheets



U.S. PATENT DOCUMENTS

4,611,091 A 9/1986 Choudary et al.
 4,623,601 A 11/1986 Lewis et al.
 4,625,070 A 11/1986 Berman et al.
 4,638,111 A 1/1987 Gay
 4,661,370 A 4/1987 Tarrant
 4,663,495 A 5/1987 Berman et al.
 4,724,011 A 2/1988 Turner et al.
 4,751,149 A 6/1988 Vijayakumar et al.
 4,775,425 A 10/1988 Guha et al.
 4,798,660 A 1/1989 Ermer et al.
 4,816,082 A 3/1989 Guha et al.
 4,915,745 A 4/1990 Pollock et al.
 4,950,615 A 8/1990 Basol et al.
 5,008,062 A 4/1991 Anderson et al.
 5,028,274 A 7/1991 Basol et al.
 5,039,353 A 8/1991 Schmitt
 5,045,409 A 9/1991 Eberspacher et al.
 5,078,803 A 1/1992 Pier et al.
 5,133,809 A 7/1992 Sichanugrist et al.
 5,137,835 A 8/1992 Karg
 5,180,686 A 1/1993 Banerjee et al.
 5,211,824 A 5/1993 Knapp
 5,231,047 A 7/1993 Ovshinsky et al.
 5,248,345 A 9/1993 Sichanugrist et al.
 5,298,086 A 3/1994 Guha et al.
 5,336,623 A 8/1994 Sichanugrist et al.
 5,346,853 A 9/1994 Guha et al.
 5,474,939 A 12/1995 Pollock et al.
 5,512,107 A 4/1996 Van den Berg
 5,578,503 A 11/1996 Karg et al.
 5,676,766 A 10/1997 Probst et al.
 5,977,476 A 11/1999 Guha et al.
 5,981,868 A 11/1999 Kushiya et al.
 5,985,691 A 11/1999 Basol et al.
 6,040,521 A 3/2000 Kushiya et al.
 D423,708 S * 4/2000 Giese et al. D26/68
 6,048,442 A 4/2000 Kushiya et al.
 D427,351 S * 6/2000 Landefeld D26/67
 6,092,669 A 7/2000 Kushiya et al.
 6,127,202 A 10/2000 Kapur et al.
 6,166,319 A 12/2000 Matsuyama
 6,310,281 B1 10/2001 Wendt et al.
 D452,028 S * 12/2001 Lee D26/67
 6,372,538 B1 4/2002 Wendt et al.
 6,690,041 B2 2/2004 Armstrong et al.
 D487,526 S * 3/2004 Hsu D26/67
 D500,158 S * 12/2004 Chen D26/67
 6,852,920 B2 2/2005 Sager et al.
 6,878,871 B2 4/2005 Scher et al.
 D518,588 S * 4/2006 Sooferian D26/67
 D522,163 S * 5/2006 Begasse D26/71
 D529,656 S * 10/2006 Wen D26/68
 7,194,197 B1 3/2007 Wendt et al.
 7,319,190 B2 1/2008 Tuttle
 D571,496 S * 6/2008 Lenz D26/68
 D578,698 S * 10/2008 Zheng D26/71
 D589,645 S * 3/2009 Citterio D26/107
 D591,884 S * 5/2009 Tortel D26/67
 D591,886 S * 5/2009 Tortel D26/67
 D591,887 S * 5/2009 Tortel D26/67
 D599,497 S * 9/2009 Liu D26/67
 D616,136 S * 5/2010 Lavalley D26/71
 2002/0063065 A1 5/2002 Sonoda et al.
 2003/0075717 A1 4/2003 Kondo et al.
 2004/0095658 A1 5/2004 Buretea et al.
 2004/0110393 A1 6/2004 Munzer et al.
 2004/0245912 A1 12/2004 Thurk et al.
 2004/0252488 A1 12/2004 Thurk
 2005/0287717 A1 12/2005 Heald et al.
 2006/0034065 A1 2/2006 Thurk

2006/0051505 A1 3/2006 Kortshagen et al.
 2006/0096536 A1 5/2006 Tuttle
 2006/0096537 A1 5/2006 Tuttle
 2006/0096635 A1 5/2006 Tuttle
 2006/0102230 A1 5/2006 Tuttle
 2006/0219288 A1 10/2006 Tuttle
 2006/0219547 A1 10/2006 Tuttle
 2007/0116892 A1 5/2007 Zwaap
 2007/0116893 A1 5/2007 Zwaap
 2007/0159836 A1 * 7/2007 Huang et al. 362/431
 2007/0283998 A1 12/2007 Kuriyagawa et al.
 2007/0289624 A1 12/2007 Kuriyagawa et al.
 2008/0032044 A1 2/2008 Kuriyagawa et al.
 2008/0105294 A1 5/2008 Kushiya et al.
 2008/0110495 A1 5/2008 Onodera et al.

FOREIGN PATENT DOCUMENTS

AU 2001/40599 A1 8/2001
 DE 3314197 A1 11/1983
 DE 10104726 A1 8/2002
 DE 102005062977 B3 9/2007
 FR 2646560 11/1990
 GB 2124826 A 2/1984
 JP 2000/173969 6/2000
 JP 2000/219512 8/2000
 JP 2002/167695 6/2002
 JP 2002/270871 9/2002
 JP 2002/299670 10/2002
 JP 2004/332043 11/2004
 JP 2005/311292 11/2005
 WO WO 01/57932 A1 8/2001
 WO WO 2005011002 2/2005
 WO WO 2007/077171 A2 7/2007
 WO WO 2008/025326 A2 3/2008

OTHER PUBLICATIONS

Huang et al., Preparation of $Zn_xCd_{1-x}S$ Nanocomposites in Polymer Matrices and their Photophysical Properties, Langmuir 1998, 14, pp. 4342-4344.
 International Solar Electric Technology, Inc. (ISET) "Thin Film CIGS", <http://www.isetinc.com/cigs.html>, Oct. 1, 2008.
 Kapur et al., "Fabrication of Light Weight Flexible CIGS Solar Cells for Space Power Applications", Mat. Res. Soc. Proc. vol. 668, (2001) pp. H3.5.1-H3.5.6, Materials Research Society, Warrendale, PA 15086.
 Kapur et al., Non-Vacuum Printing Process for CIGS Solar Cells on Rigid and Flexible Substrates 29th IEEE Photovoltaic Specialists Conf., New Orleans, LA, IEEE, (2002) p. 688-691.
 Kapur et al., "Non-Vacuum Processing of CIGS Solar Cells on Flexible Polymer Substrates", Proceedings of the Third World Conference on Photovoltaic Energy Conversion, Osaka, Japan, 2P-D3-43 (2003).
 Kapur et al., "Non-Vacuum Processing of $CuIn_{1-x}Ga_xSe_2$ Solar Cells on Rigid and Flexible Substrates using Nanoparticle Inks", Thin Solid Films, vol. 431-432 (2003) pp. 53-57 Proceedings of Symposium B, European Materials Research Society, Strasbourg, France.
 Kapur et al., "Fabrication of CIGS Solar Cells via Printing of Nanoparticle Precursor Inks", DOE Solar Program Review Meeting 2004, DOE/GO-102005-2067, p. 135-136.
 Kapur et al., "Nanoparticle Oxides Precursor Inks for Thin Film Copper Indium Gallium Selenide (CIGS) Solar Cells", Mat. Res. Soc. Proc. vol. 668, (2001) pp. H2.6.1-H2.6.7, Materials Research Society, Warrendale, PA 15086.
 Yang et al., Fabrication and Characteristics of ZnS Nanocrystals/Polymer Composite Doped with Tetraphenylbenzidine Single Layer Structure Light-emitting Diode, Applied Physics Lett. vol. 69 (3), Jul. 15, 1996, pp. 377-379.
 Yang et al., Preparation, Characterization and Electroluminescence of ZnS Nanocrystals in a Polymer Matrix, J. Mater. Chem., 1997, 7(1), pp. 131-133.
 Yang et al., Electroluminescence from ZnS/CdS Nanocrystals/Polymer Composite, Synthetic Metals 91, (1997) 347-349.

* cited by examiner

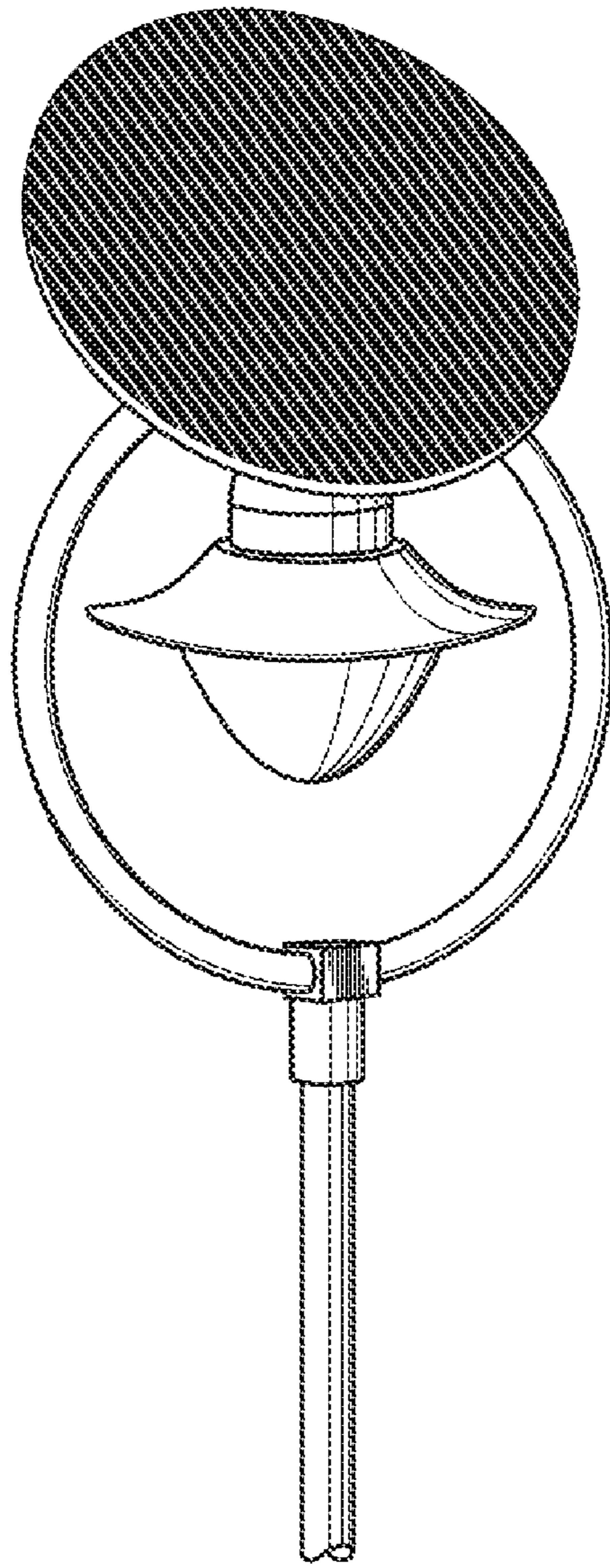


FIGURE 1

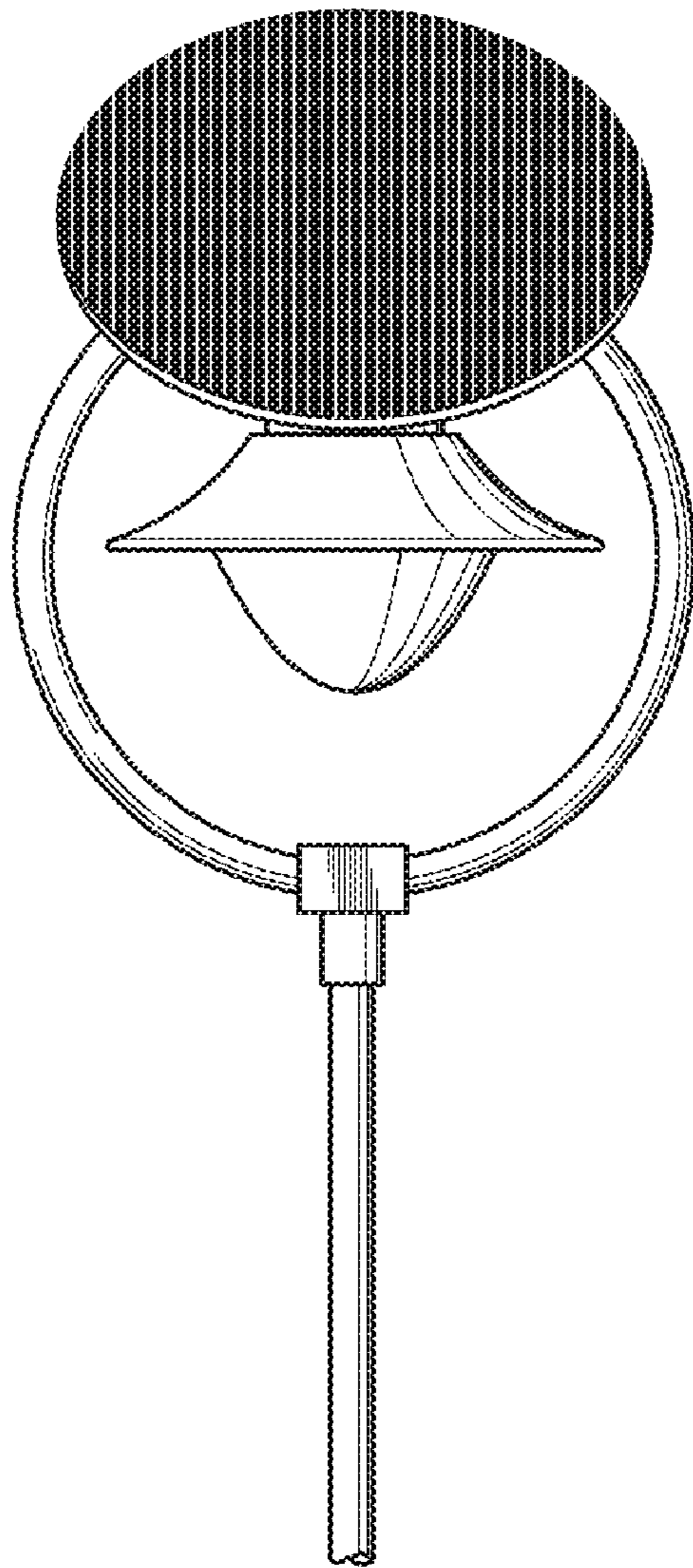


FIGURE 2

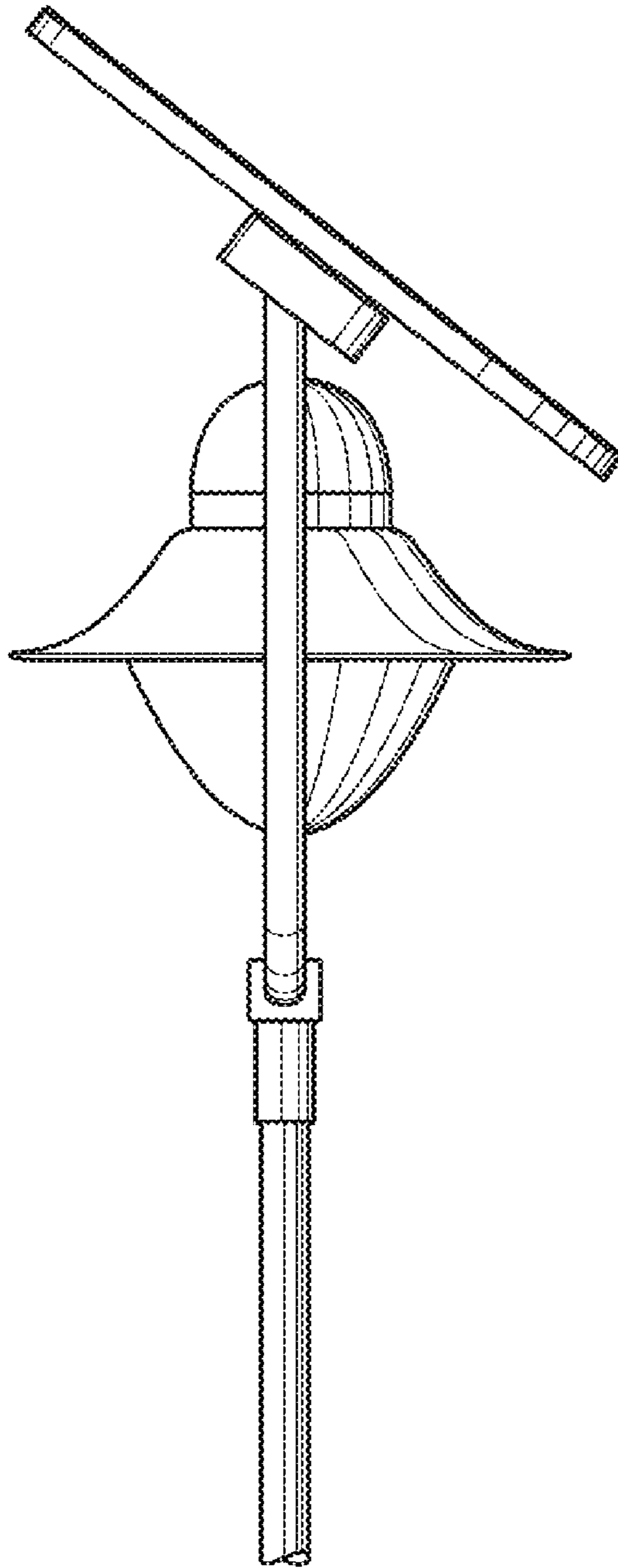


FIGURE 3

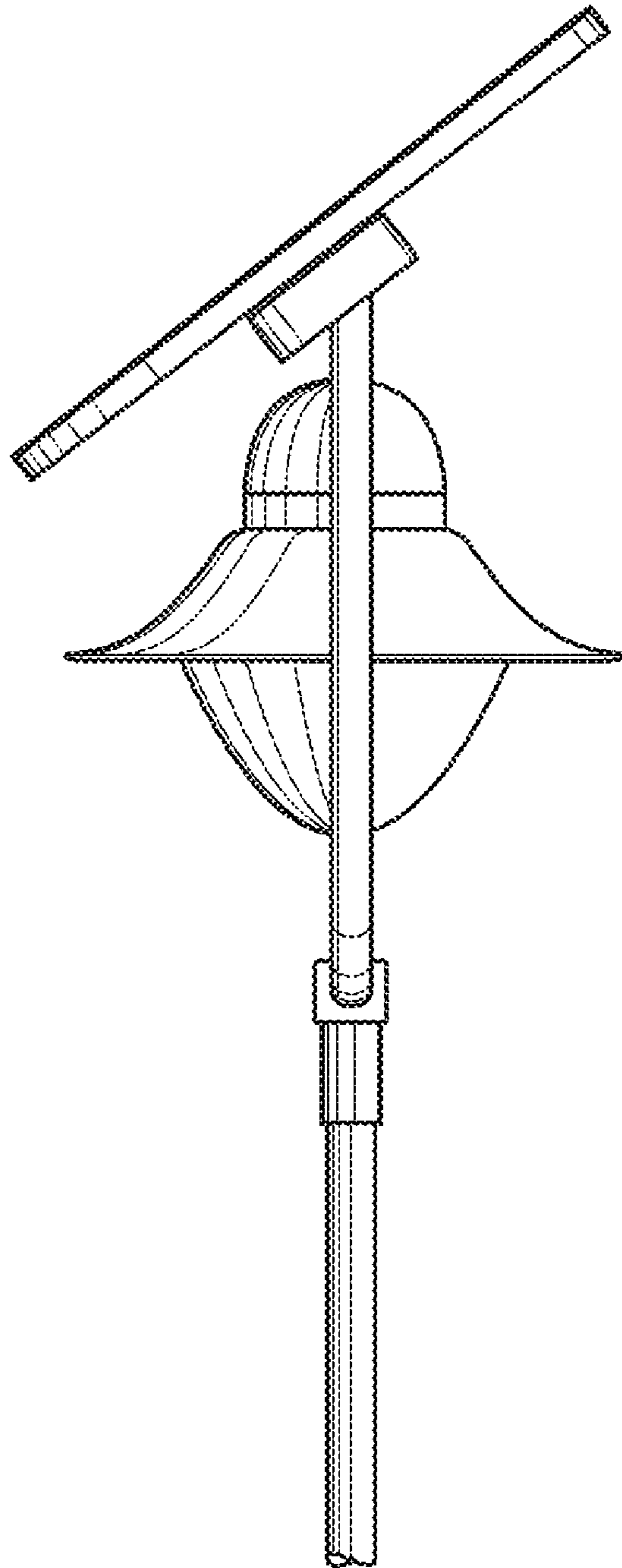


FIGURE 4

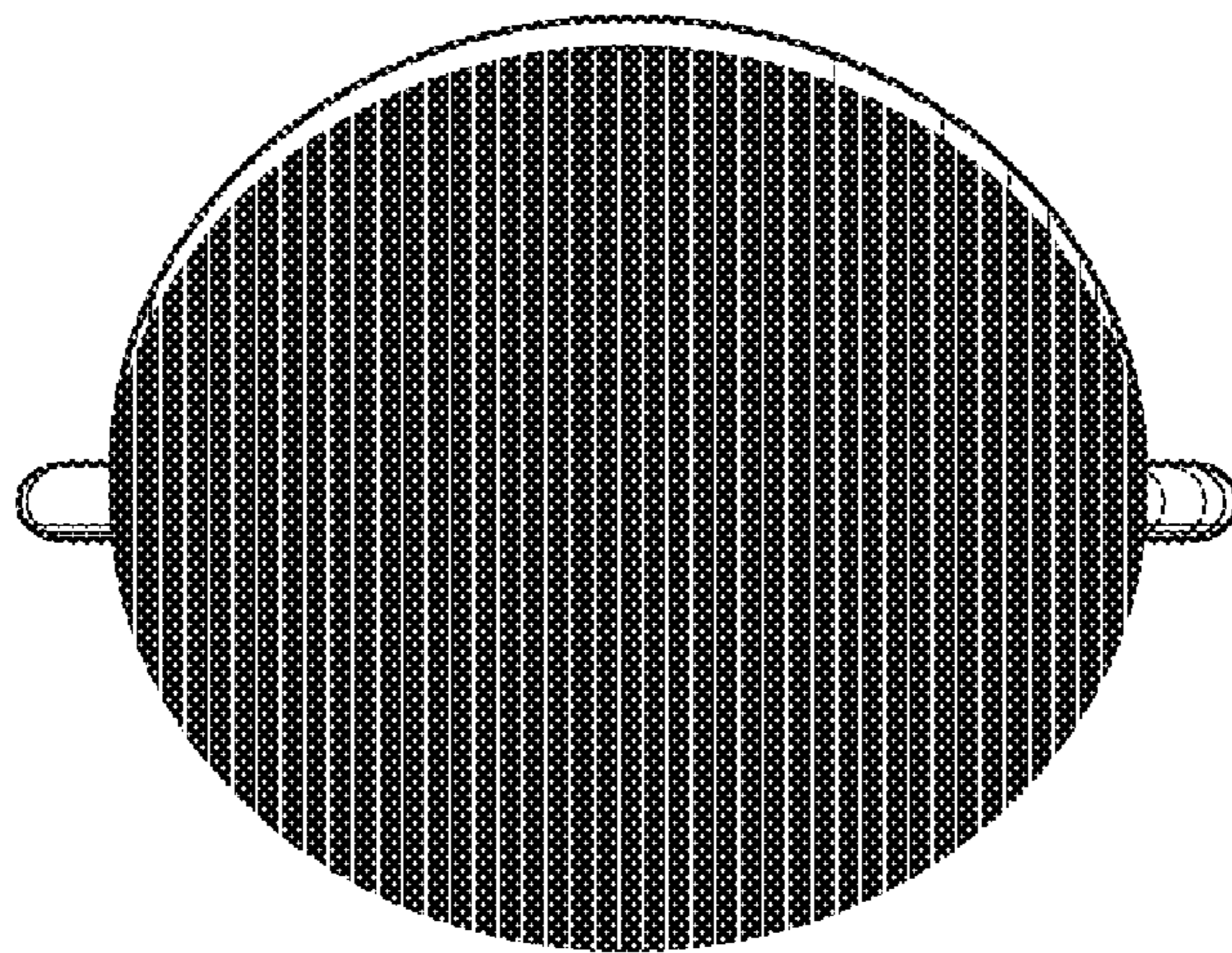


FIGURE 5

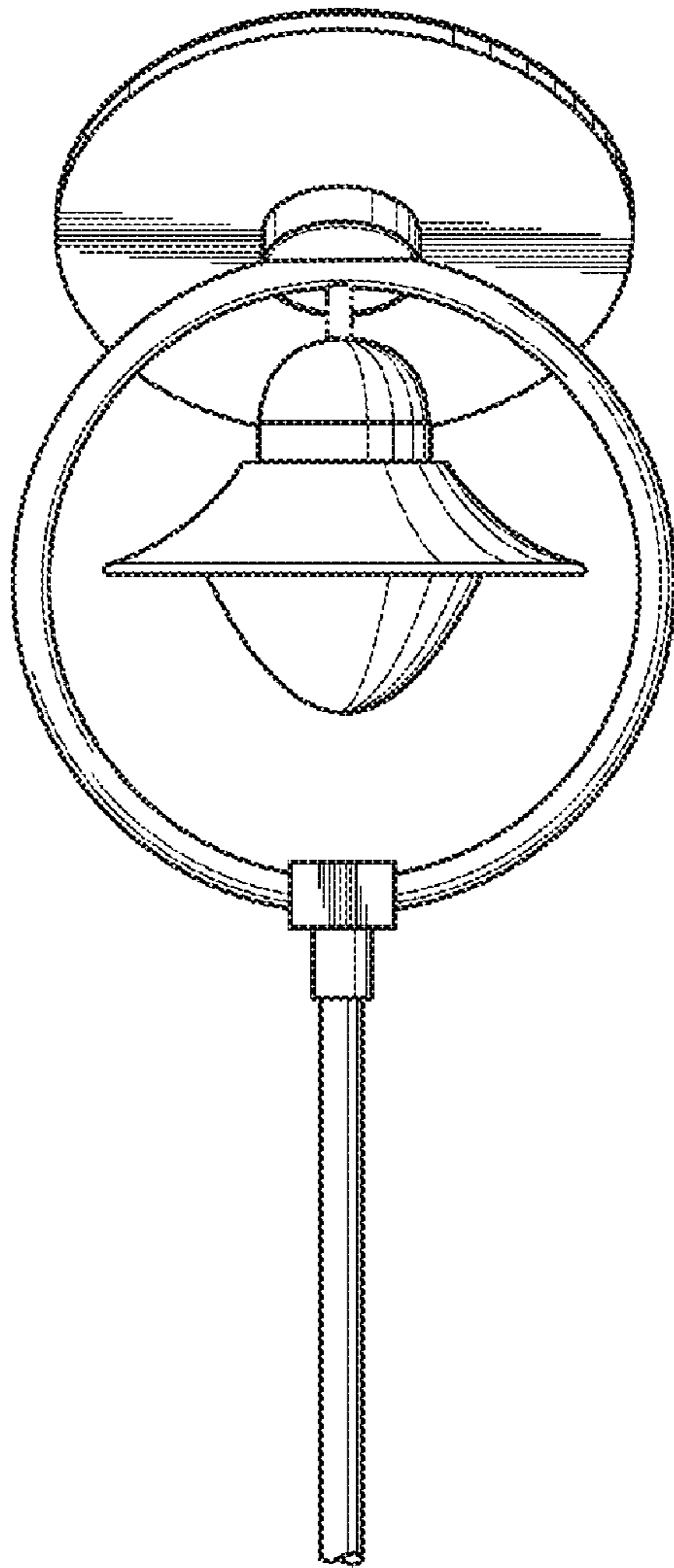


FIGURE 6