



US00D628330S

(12) **United States Design Patent**  
**Sabernig**

(10) **Patent No.:** **US D628,330 S**

(45) **Date of Patent:** **\*\* Nov. 30, 2010**

(54) **LIGHT FIXTURE**

(75) Inventor: **Robert Sabernig**, Munster (AT)

(73) Assignee: **EGLO Leuchten GmbH**, Innsbruck (AT)

(\*\*) Term: **14 Years**

(21) Appl. No.: **29/353,156**

(22) Filed: **Jan. 4, 2010**

(51) **LOC (9) Cl.** ..... **26-05**

(52) **U.S. Cl.** ..... **D26/63; D26/83**

(58) **Field of Classification Search** ..... D26/61-66,  
D26/80-86, 88-91, 118, 128, 137; 362/147,  
362/404-408, 431, 432, 269, 427, 648  
See application file for complete search history.

(56) **References Cited**

**U.S. PATENT DOCUMENTS**

D36,593	S	*	10/1903	Willard	.....	D26/83
D47,608	S	*	7/1915	Owen	.....	D26/83
D67,635	S	*	6/1925	Walton	.....	D26/83
D149,124	S	*	3/1948	Hewitt	.....	D26/63
D377,693	S	*	1/1997	Lecluze	.....	D26/63
5,833,358	A	*	11/1998	Patik	.....	362/391
6,592,241	B1	*	7/2003	Kovacik et al.	.....	362/419
D557,439	S	*	12/2007	Hsu	.....	D26/83
7,334,921	B1	*	2/2008	Simnor	.....	362/427

D589,197	S	*	3/2009	Sabernig	.....	D26/83
2006/0077672	A1	*	4/2006	Schaak	.....	362/418

**OTHER PUBLICATIONS**

Spot Light shown in top left corner of p. 24; and “Sol” spot light shown on pp. 6 and 7. Both from the Buckingham 2008-2009 Architectural Lighting Catalog. (3 pages).\*

“Flash” wall sconce #E22025-18 shown on p. 195 of the ET2 Lighting 2007 Catalog. (2 pages).\*

“Leding” lighting track with three spotlights. Item 16 on p. 311 of the Ikea 2008 Catalog. (1 page).\*

\* cited by examiner

*Primary Examiner*—Clare E Heflin

(74) *Attorney, Agent, or Firm*—Baker & McKenzie LLP

(57) **CLAIM**

The ornamental design for a light fixture, as shown and described.

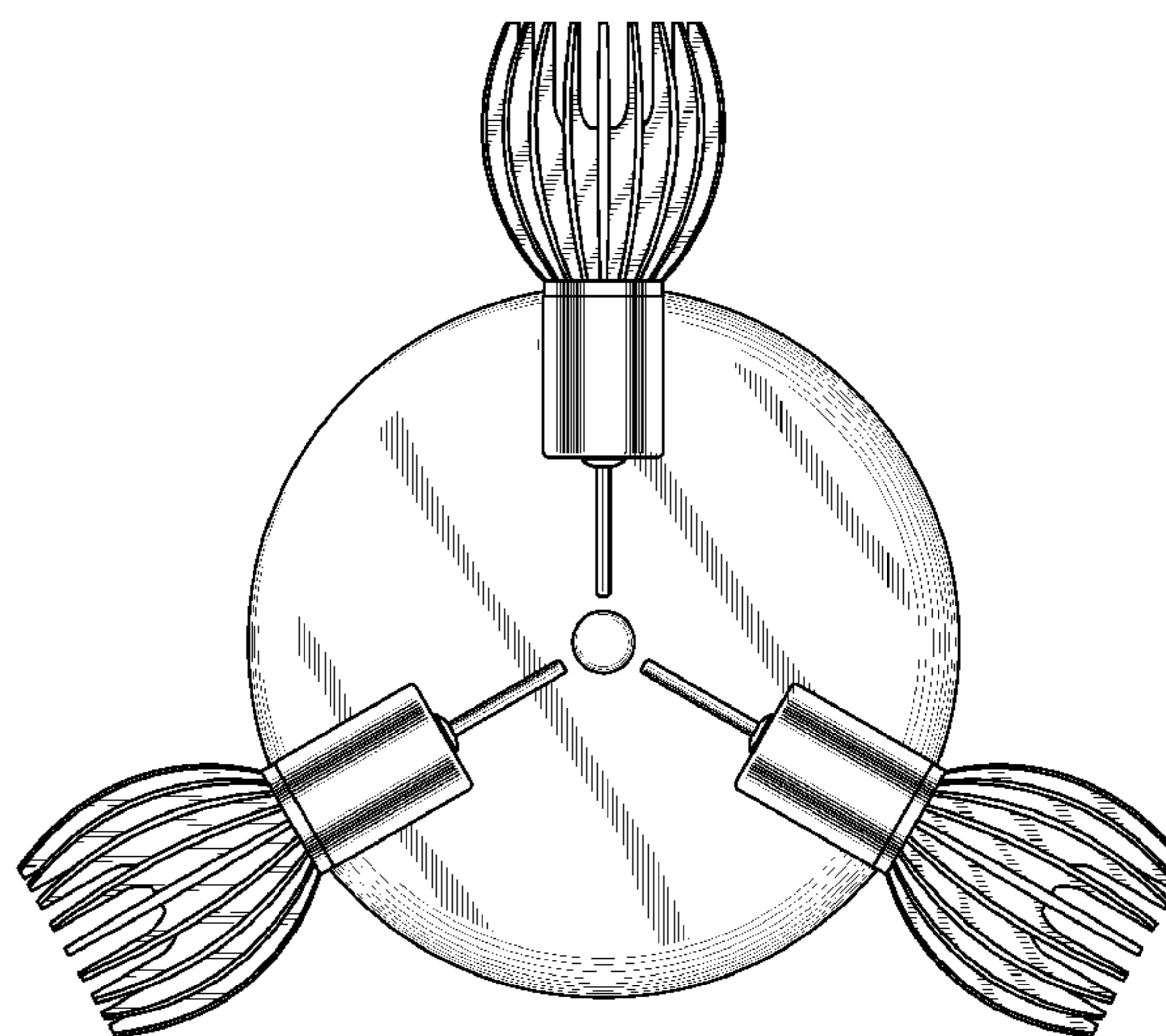
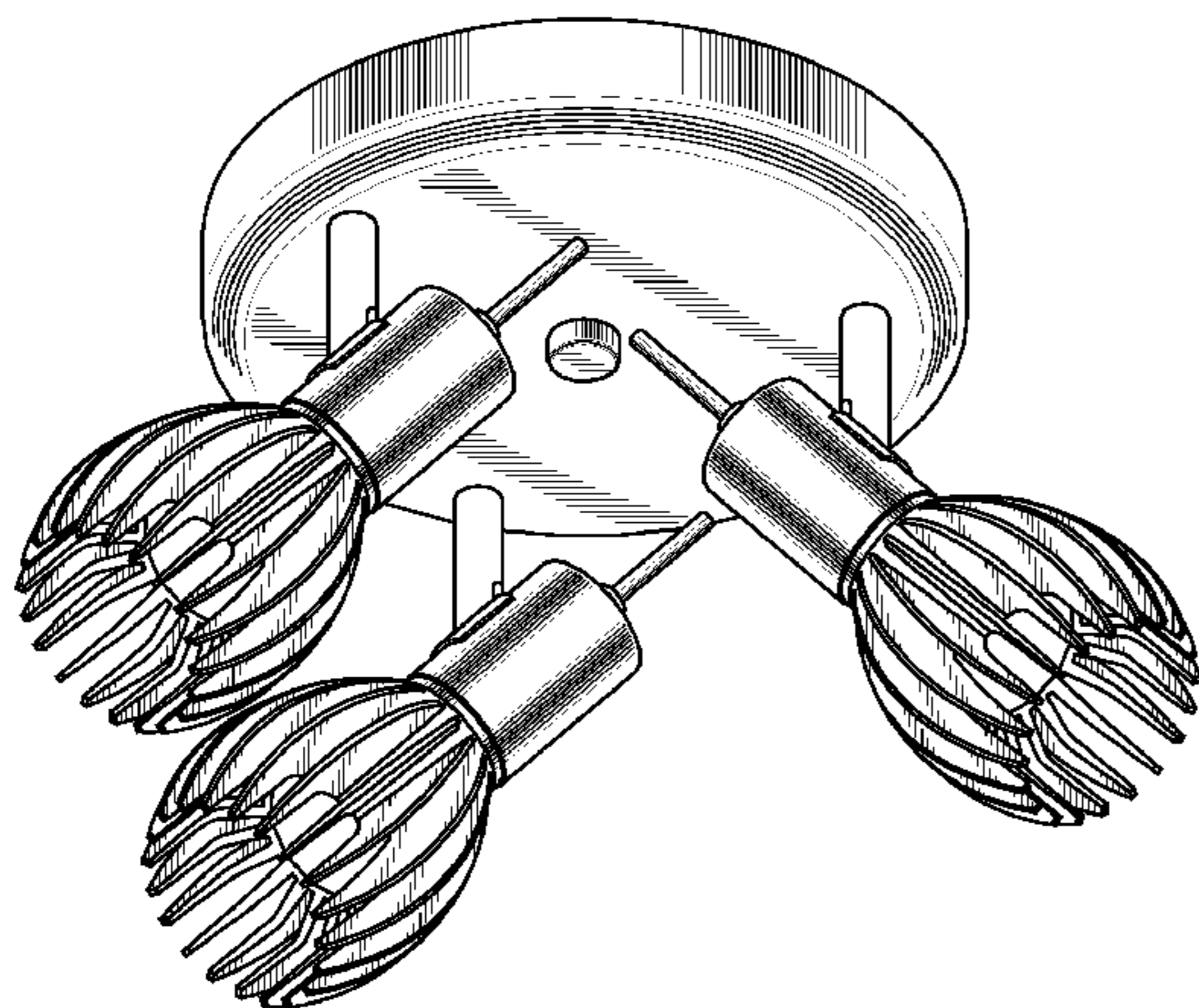
**DESCRIPTION**

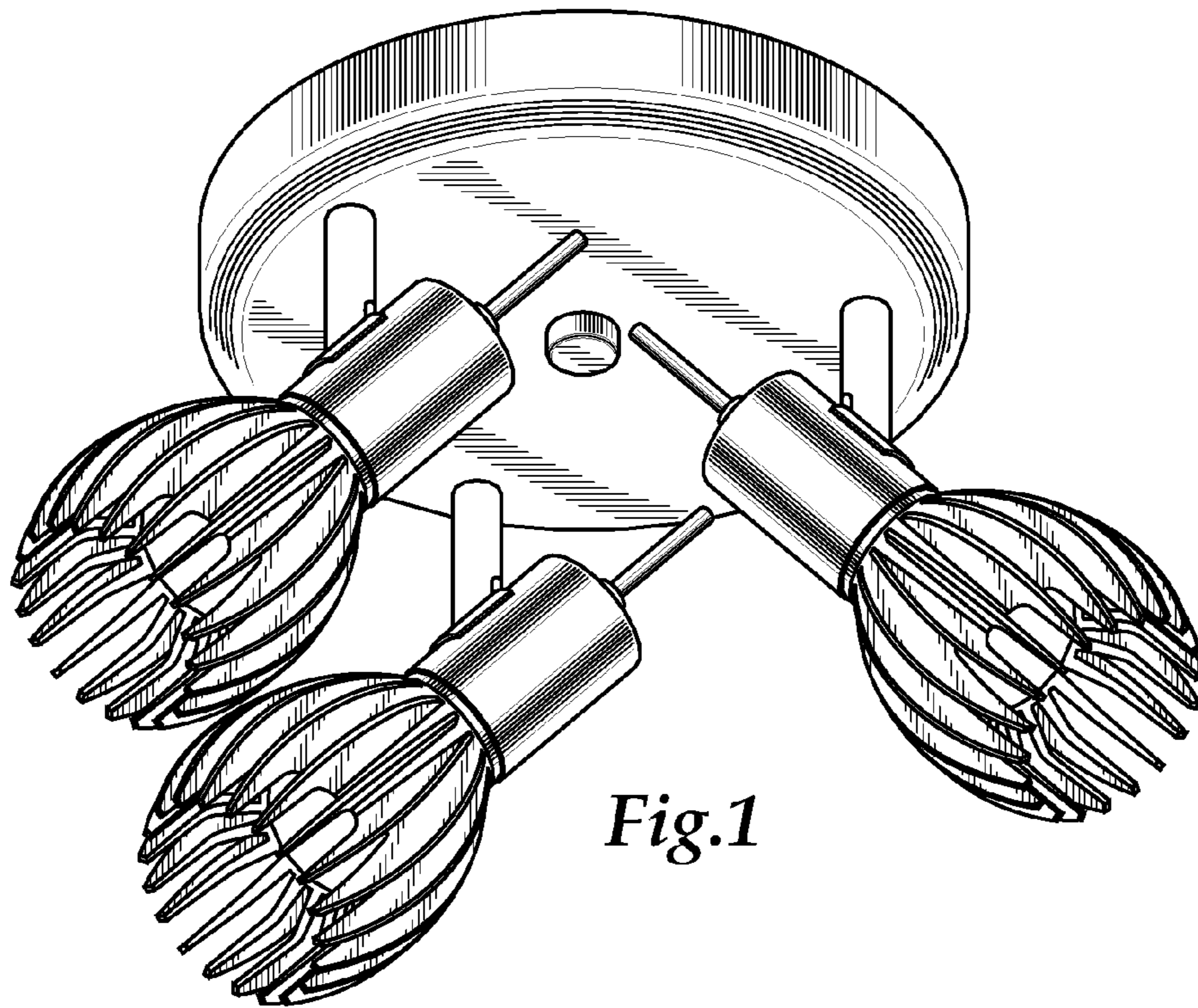
FIG. 1 is a perspective view of a light fixture in accordance with my design;

FIG. 2 is a side elevation view of the light fixture in accordance with my design showing the lamps in an alternate position; and,

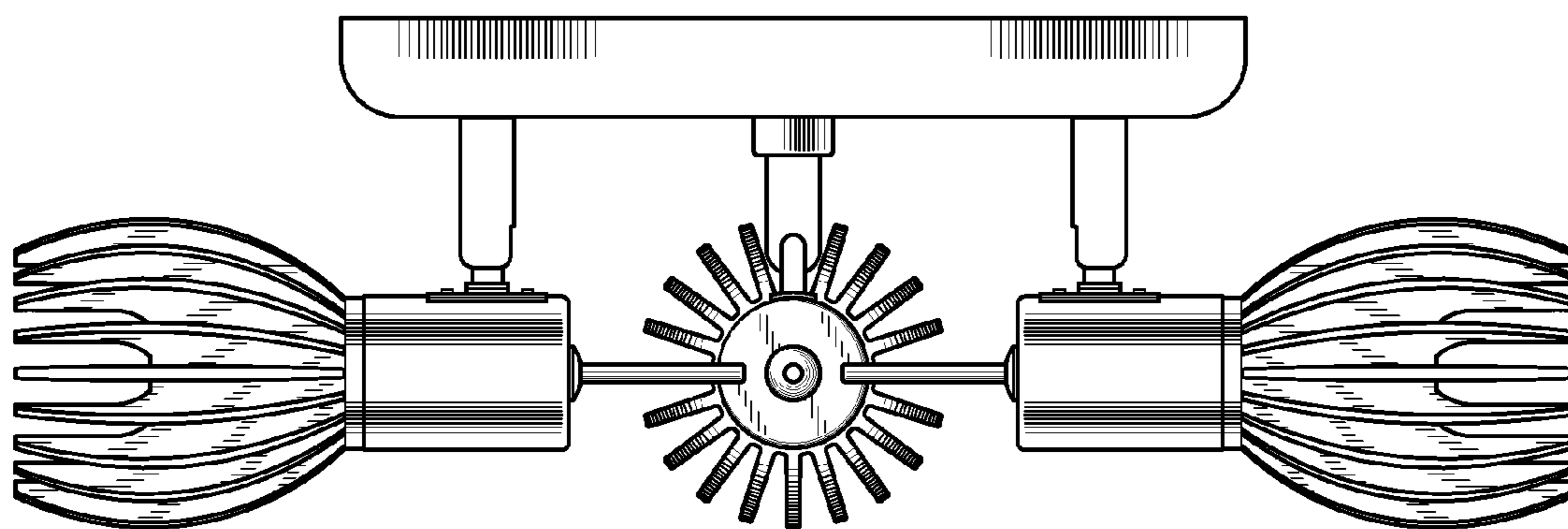
FIG. 3 is a bottom plan view of the light fixture in accordance with my design showing the lamps in an alternate position.

**1 Claim, 2 Drawing Sheets**

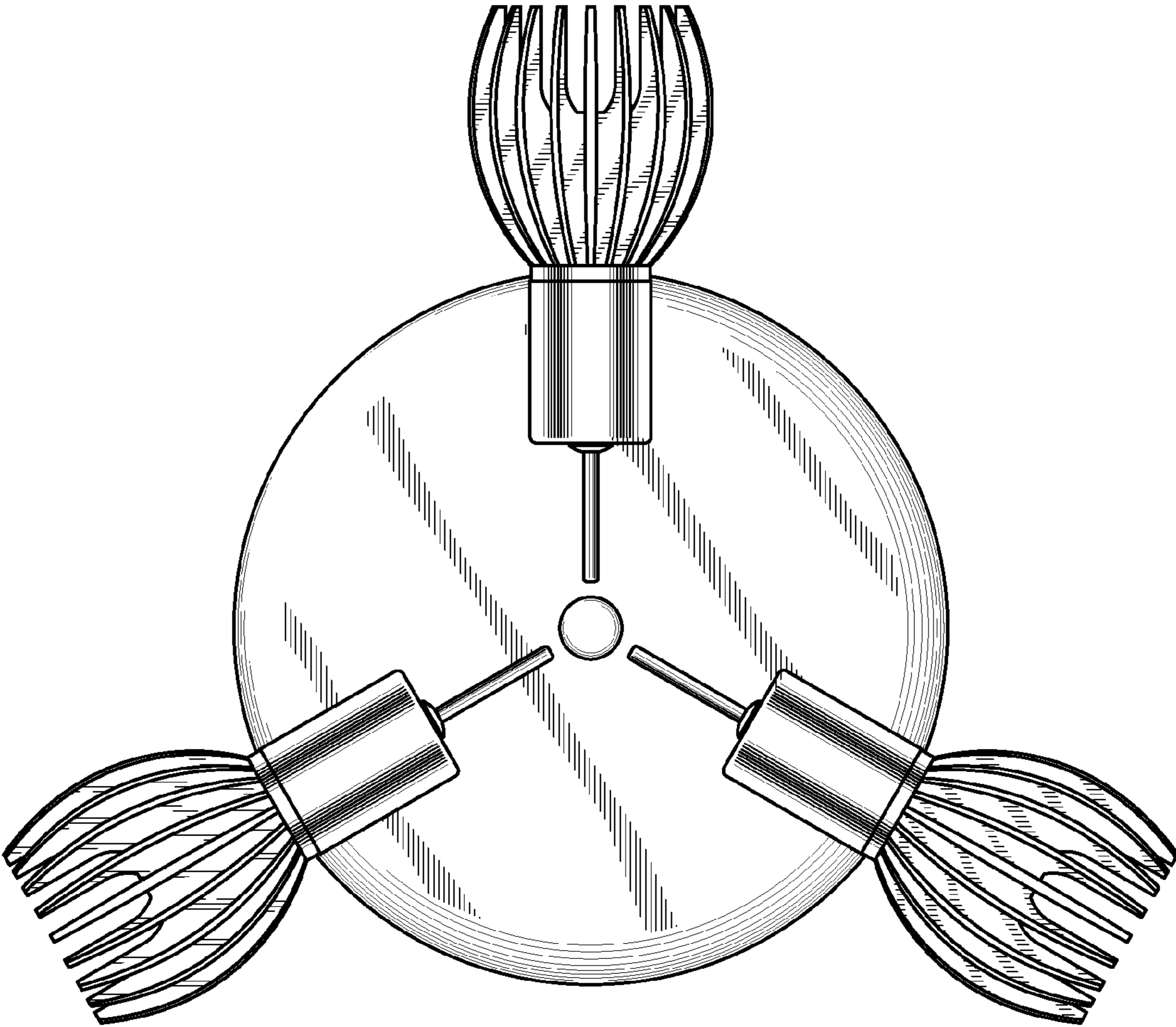




*Fig.1*



*Fig.2*



*Fig.3*