



US00D628326S

(12) **United States Design Patent**  
**Ng**

(10) **Patent No.:** **US D628,326 S**

(45) **Date of Patent:** **\*\* Nov. 30, 2010**

(54) **HANDHELD LANTERN**

D605,796 S \* 12/2009 Crawford et al. .... D26/45

(75) Inventor: **James K. Ng**, Seattle, WA (US)

\* cited by examiner

(73) Assignee: **Dr. Led (Holdings) Inc.**, Tortola (VG)

*Primary Examiner*—Charles A Rademaker

*Assistant Examiner*—Carissa C Fitts

(\*\*) Term: **14 Years**

(74) *Attorney, Agent, or Firm*—Jeffrey Pearce

(21) Appl. No.: **29/353,315**

(57) **CLAIM**

(22) Filed: **Jan. 6, 2010**

The ornamental design for a handheld lantern, as shown and described.

(51) **LOC (9) Cl.** ..... **26-02**

(52) **U.S. Cl.** ..... **D26/45**

(58) **Field of Classification Search** ..... D26/37,  
D26/41–48; 362/157, 158, 183, 184, 190,  
362/191, 194, 196–199, 201

See application file for complete search history.

**DESCRIPTION**

FIG. 1 is an upper front left perspective view showing my new design;

FIG. 2 is a left plan view thereof;

FIG. 3 is a right plan view thereof;

FIG. 4 is a front plan view thereof;

FIG. 5 is a rear plan view thereof;

FIG. 6 is a top view thereof; and,

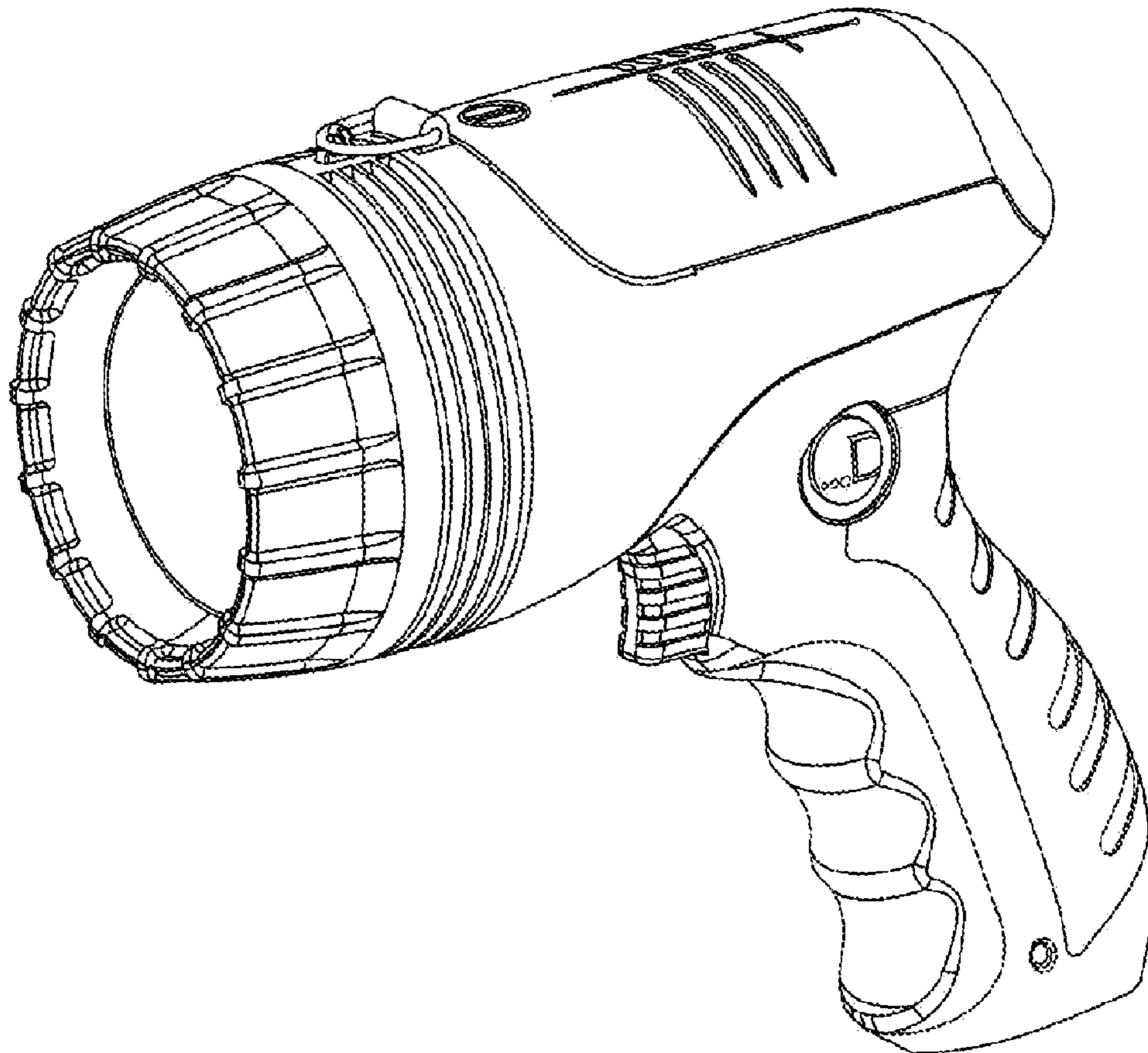
FIG. 7 is a bottom view thereof.

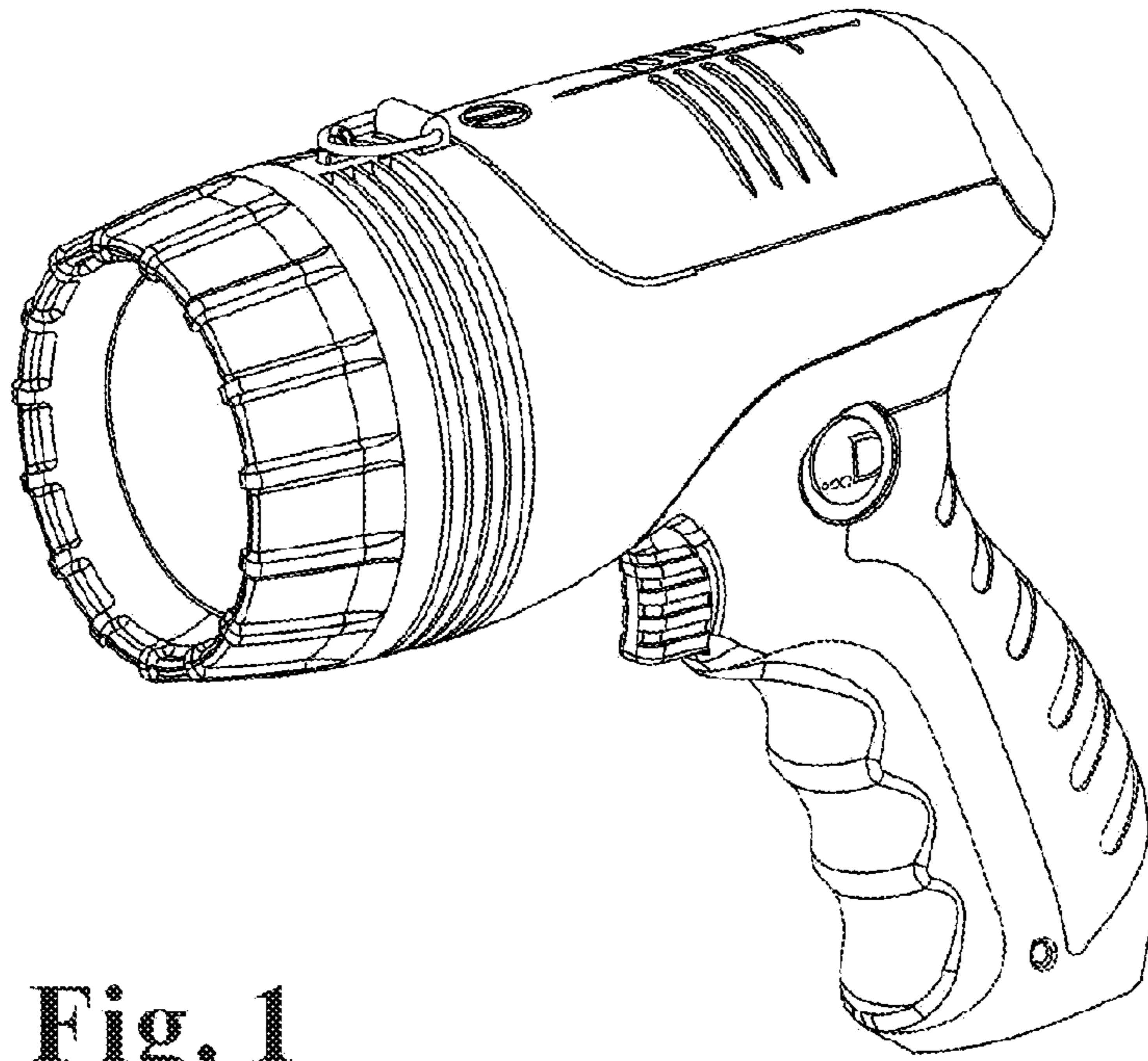
(56) **References Cited**

**U.S. PATENT DOCUMENTS**

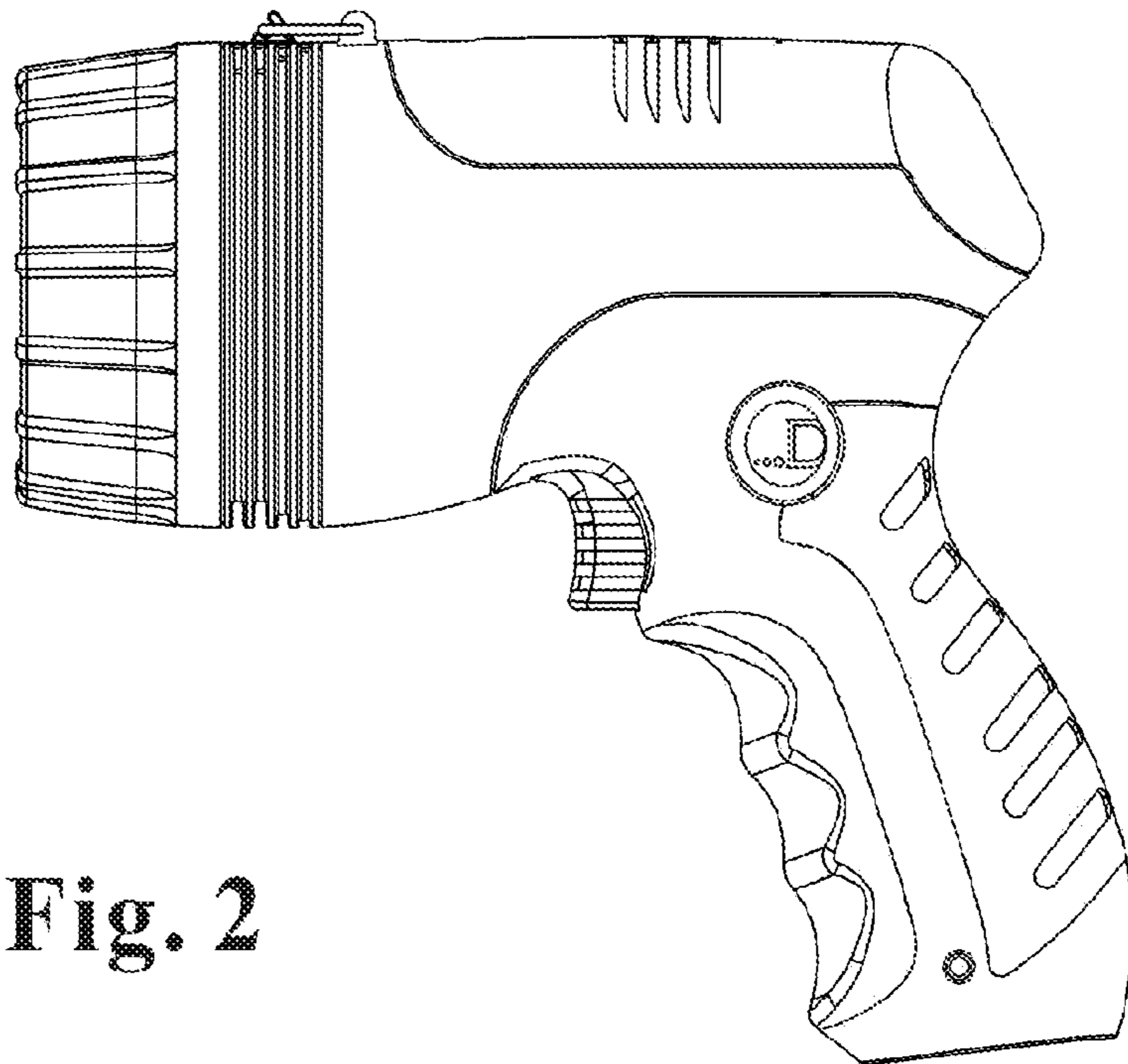
D436,200 S	*	1/2001	Cheong et al.	.....	D26/45
D500,155 S	*	12/2004	Lee	.....	D26/45
D553,775 S	*	10/2007	Lobert et al.	.....	D26/42
D556,352 S	*	11/2007	Moser	.....	D26/45
D603,540 S	*	11/2009	Shum et al.	.....	D26/45

**1 Claim, 3 Drawing Sheets**

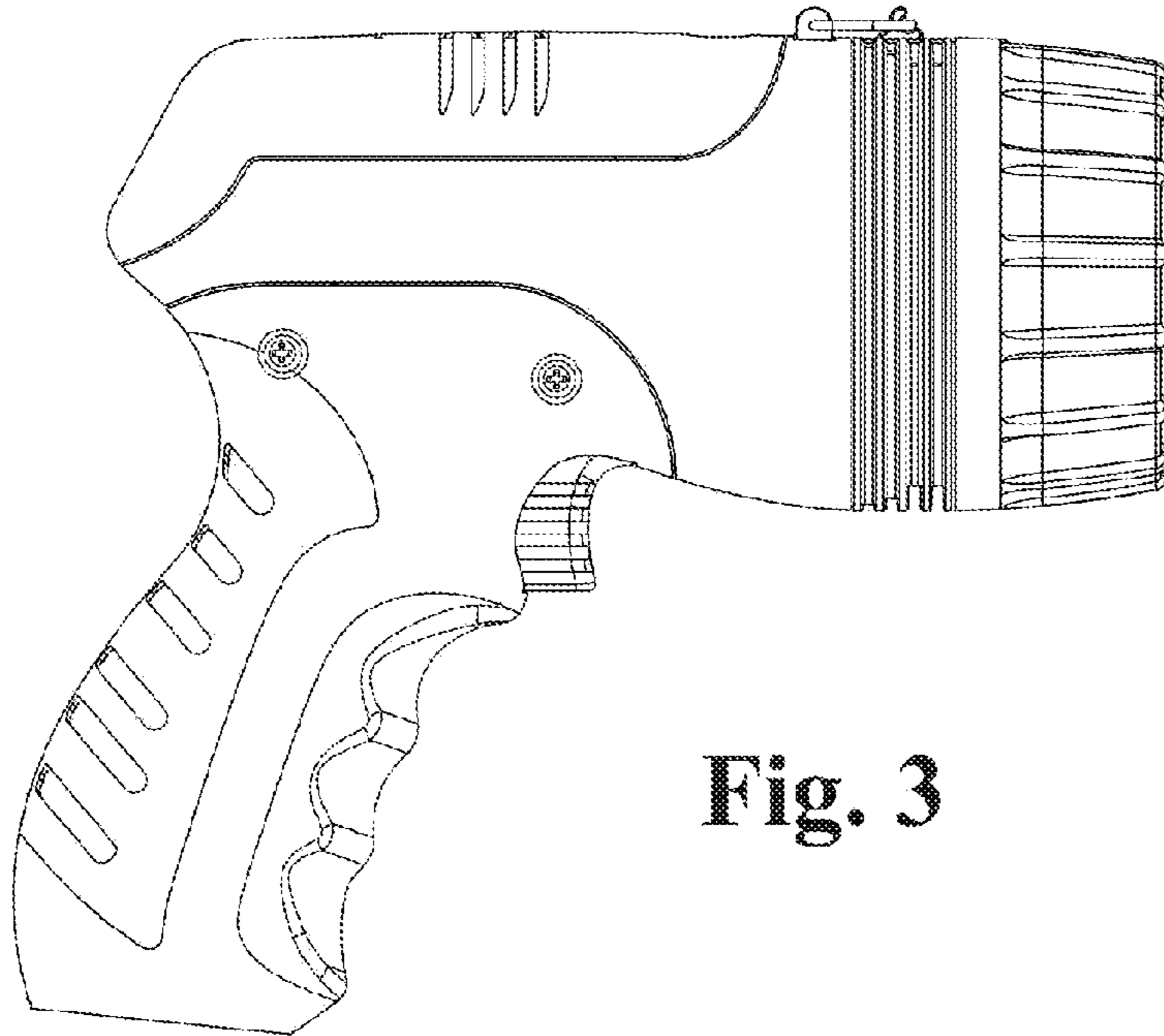




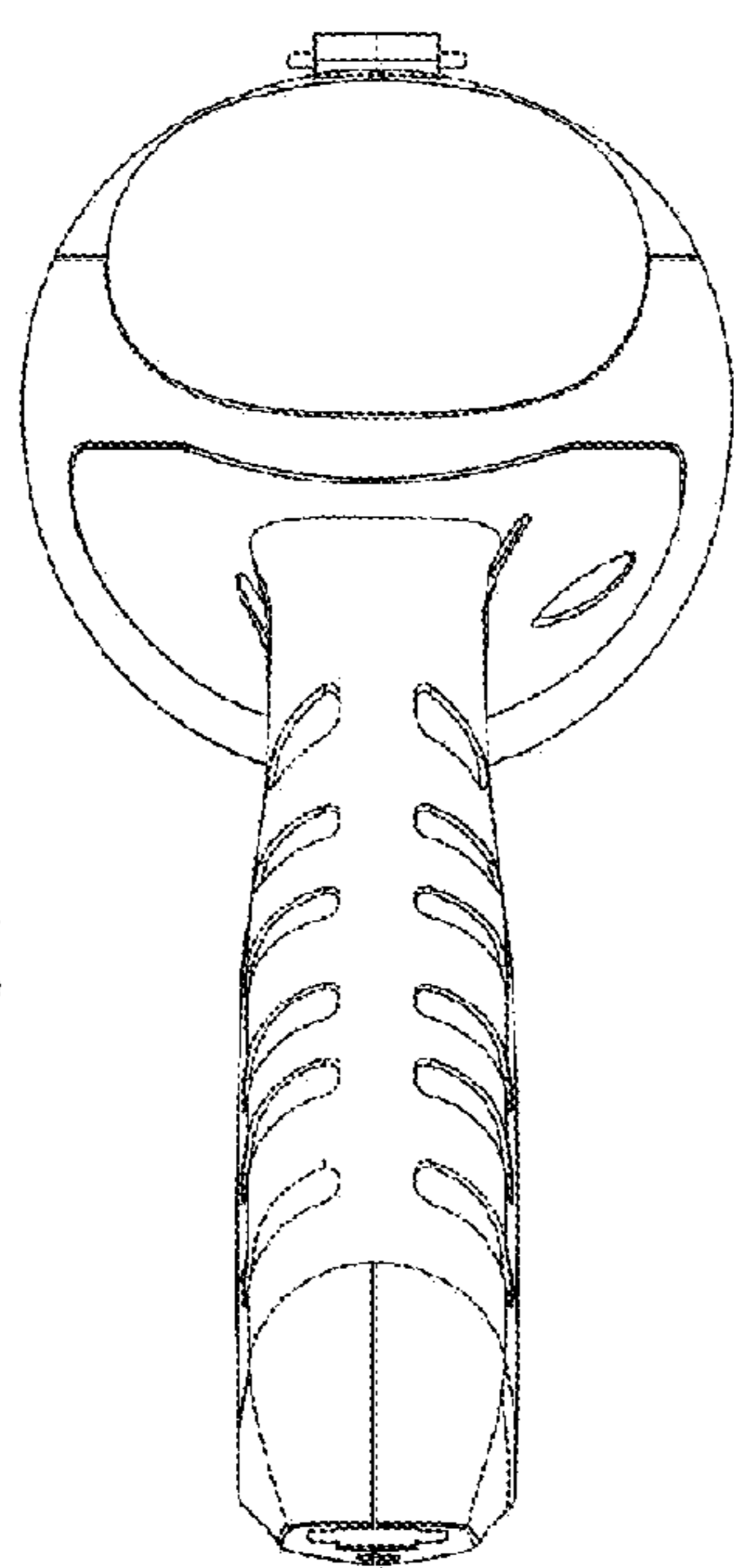
**Fig. 1**



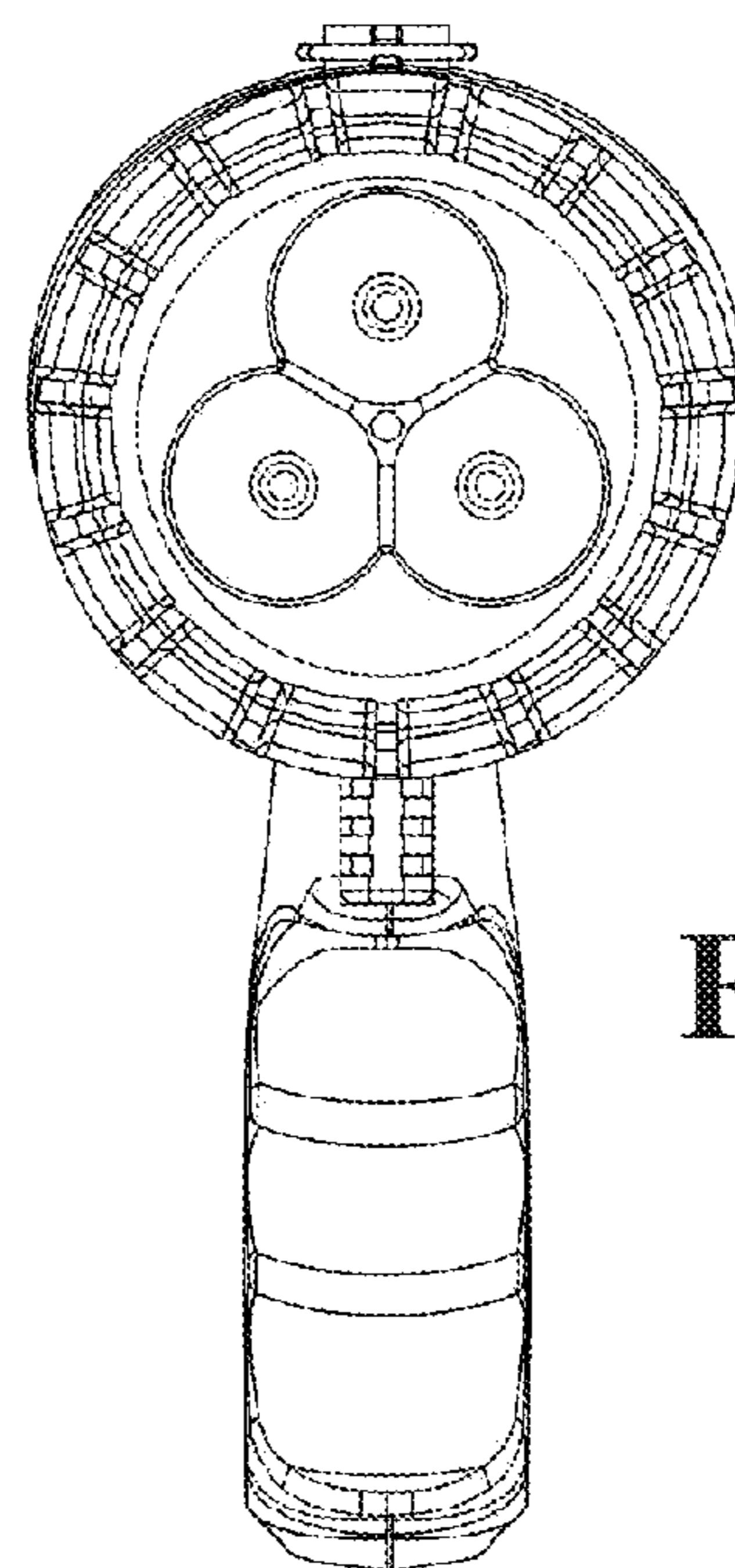
**Fig. 2**



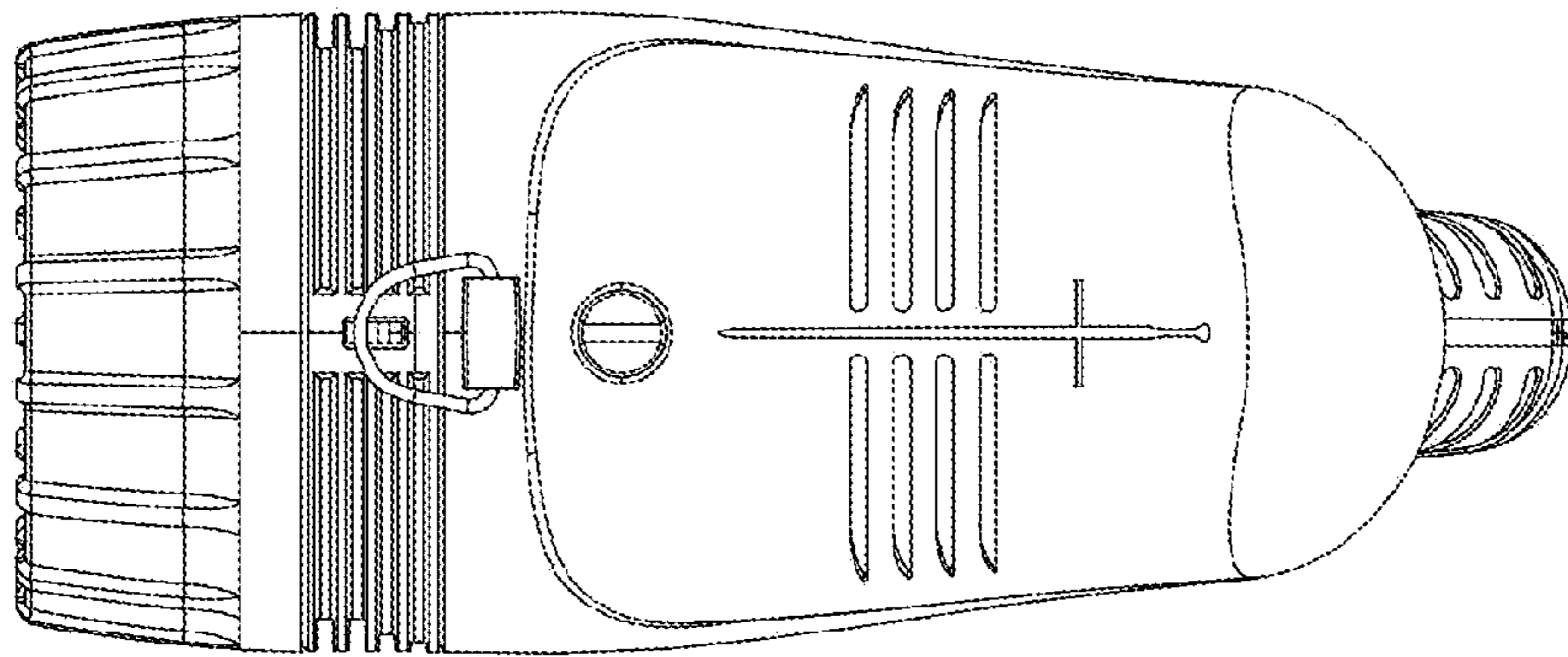
**Fig. 3**



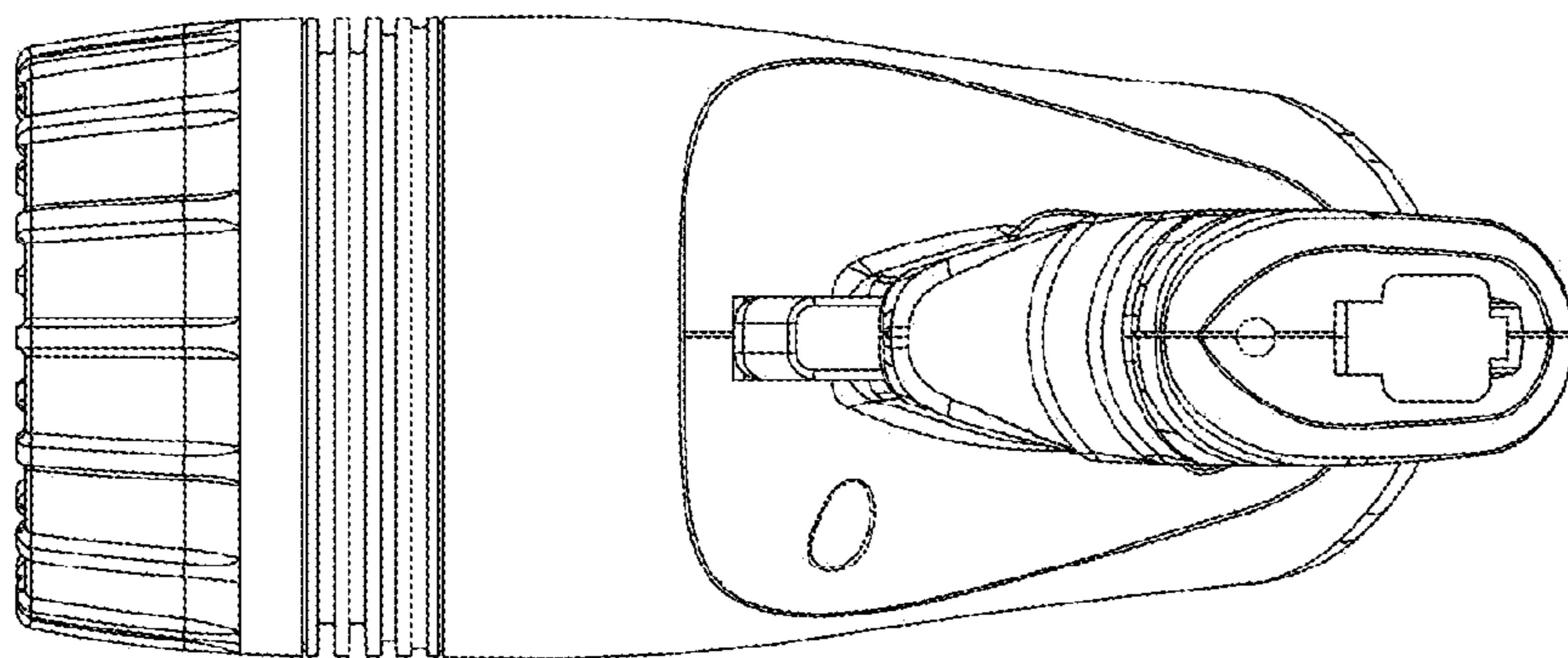
**Fig. 5**



**Fig. 4**



**Fig. 6**



**Fig. 7**