



US00D628325S

(12) **United States Design Patent**  
**Houghton**

(10) **Patent No.:** **US D628,325 S**

(45) **Date of Patent:** **\*\* Nov. 30, 2010**

(54) **PORTABLE LAMP**

D612,965 S \* 3/2010 Extrand ..... D26/41  
D617,481 S \* 6/2010 Leung et al. .... D26/41

(75) Inventor: **Stephen Houghton**, Newcastle Upon Tyne (GB)

\* cited by examiner

(73) Assignee: **Black & Decker Inc.**, Newark, DE (US)

*Primary Examiner*—Charles A Rademaker

*Assistant Examiner*—Carissa C Fitts

(\*\*) Term: **14 Years**

(74) *Attorney, Agent, or Firm*—John Yun; Bruce S. Shapiro; Stephen Valancius

(21) Appl. No.: **29/357,208**

(57) **CLAIM**

(22) Filed: **Mar. 9, 2010**

The ornamental design for a portable lamp, as shown and described.

(30) **Foreign Application Priority Data**

Sep. 9, 2009 (EP) ..... 001163372-0001

Sep. 9, 2009 (EP) ..... 001163372-0002

**DESCRIPTION**

(51) **LOC (9) Cl.** ..... **26-02**

FIG. 1 is a perspective view of a portable lamp showing my new design.

(52) **U.S. Cl.** ..... **D26/41**

FIG. 2 is a front view of the portable lamp according to FIG. 1.

(58) **Field of Classification Search** ..... D26/37-44,  
D26/46, 49; 362/157, 158, 176, 183, 184,  
362/194-208

FIG. 3 is a rear view of the portable lamp according to FIG. 1.

See application file for complete search history.

FIG. 4 is a right side view of the portable lamp according to FIG. 1.

(56) **References Cited**

**U.S. PATENT DOCUMENTS**

- D397,817 S \* 9/1998 Yuen ..... D26/41
- D407,171 S \* 3/1999 Yuen ..... D26/41
- D407,512 S \* 3/1999 Yuen ..... D26/41
- D513,336 S \* 12/2005 Kung ..... D26/40
- D537,967 S \* 3/2007 Lo et al. .... D26/40
- D554,785 S \* 11/2007 Brown et al. .... D26/41
- D556,928 S \* 12/2007 Poon ..... D26/40
- D606,685 S \* 12/2009 Holsinger ..... D26/40
- D612,084 S \* 3/2010 Hillard ..... D26/40

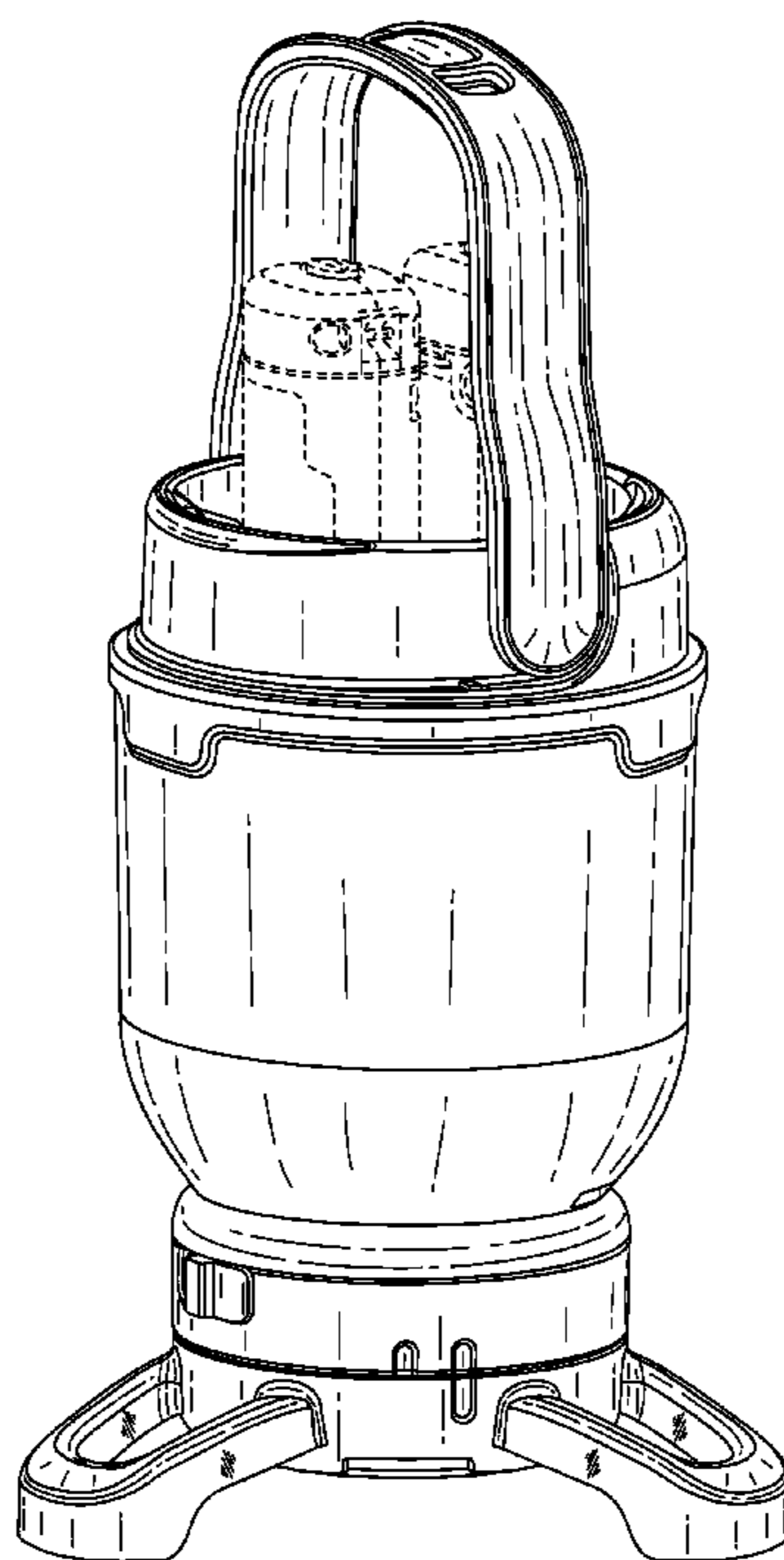
FIG. 5 is a left side view of the portable lamp according to FIG. 1.

FIG. 6 is a top view of the portable lamp according to FIG. 1; and,

FIG. 7 is a bottom view of the portable lamp according to FIG. 1.

In the above drawings the broken lines and the areas within the broken lines form no part of the claimed design.

**1 Claim, 7 Drawing Sheets**



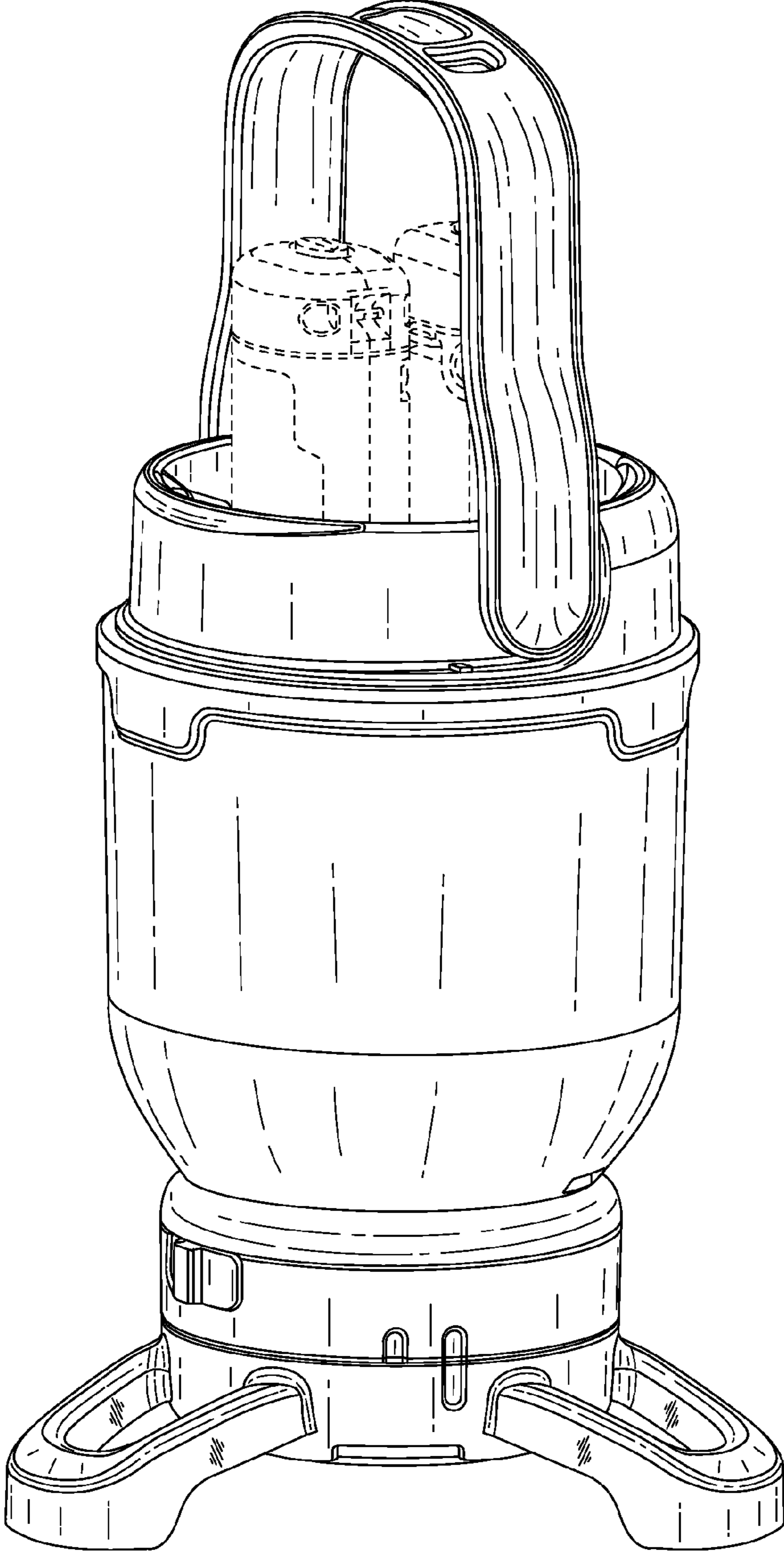


FIG. 1

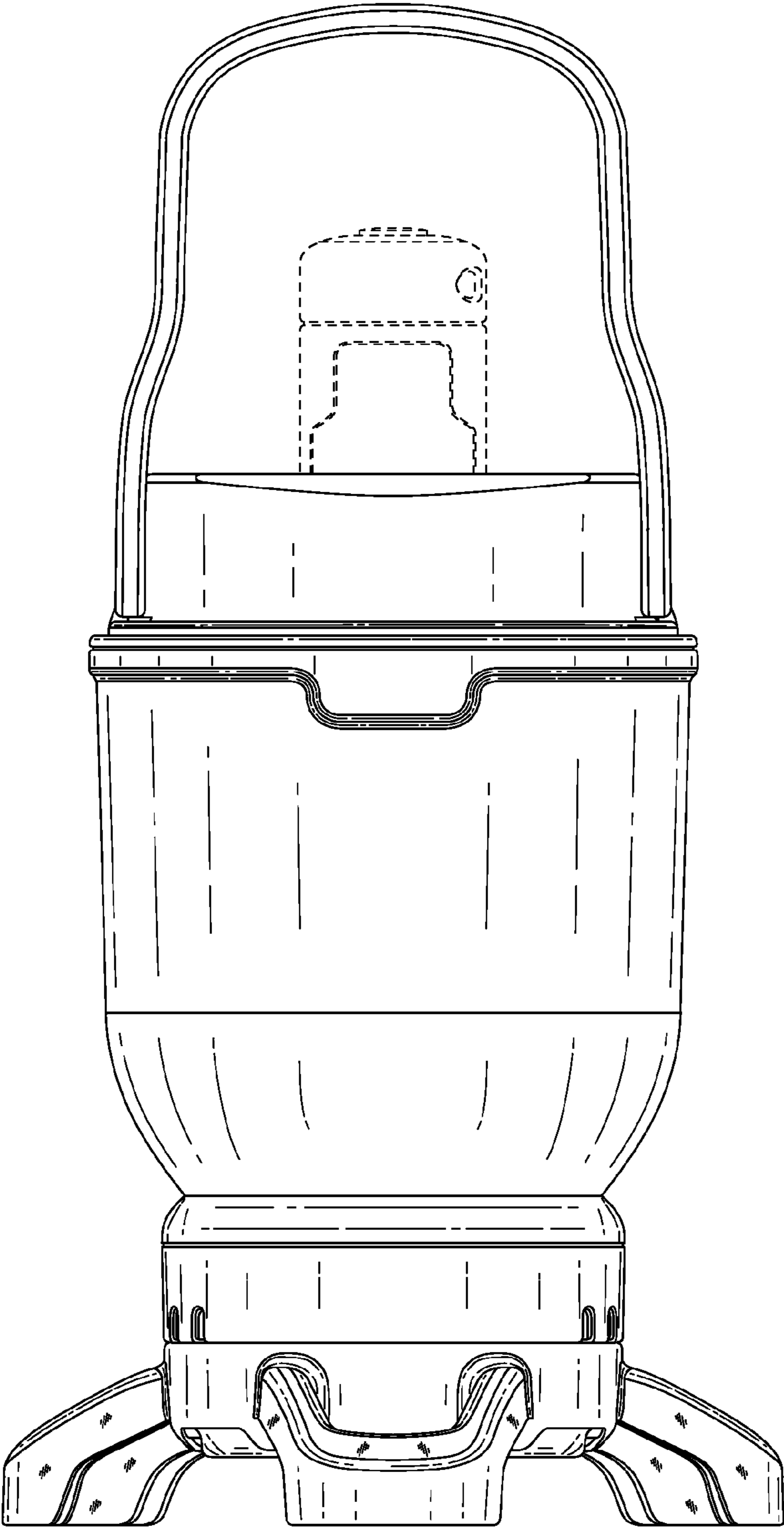


FIG. 2

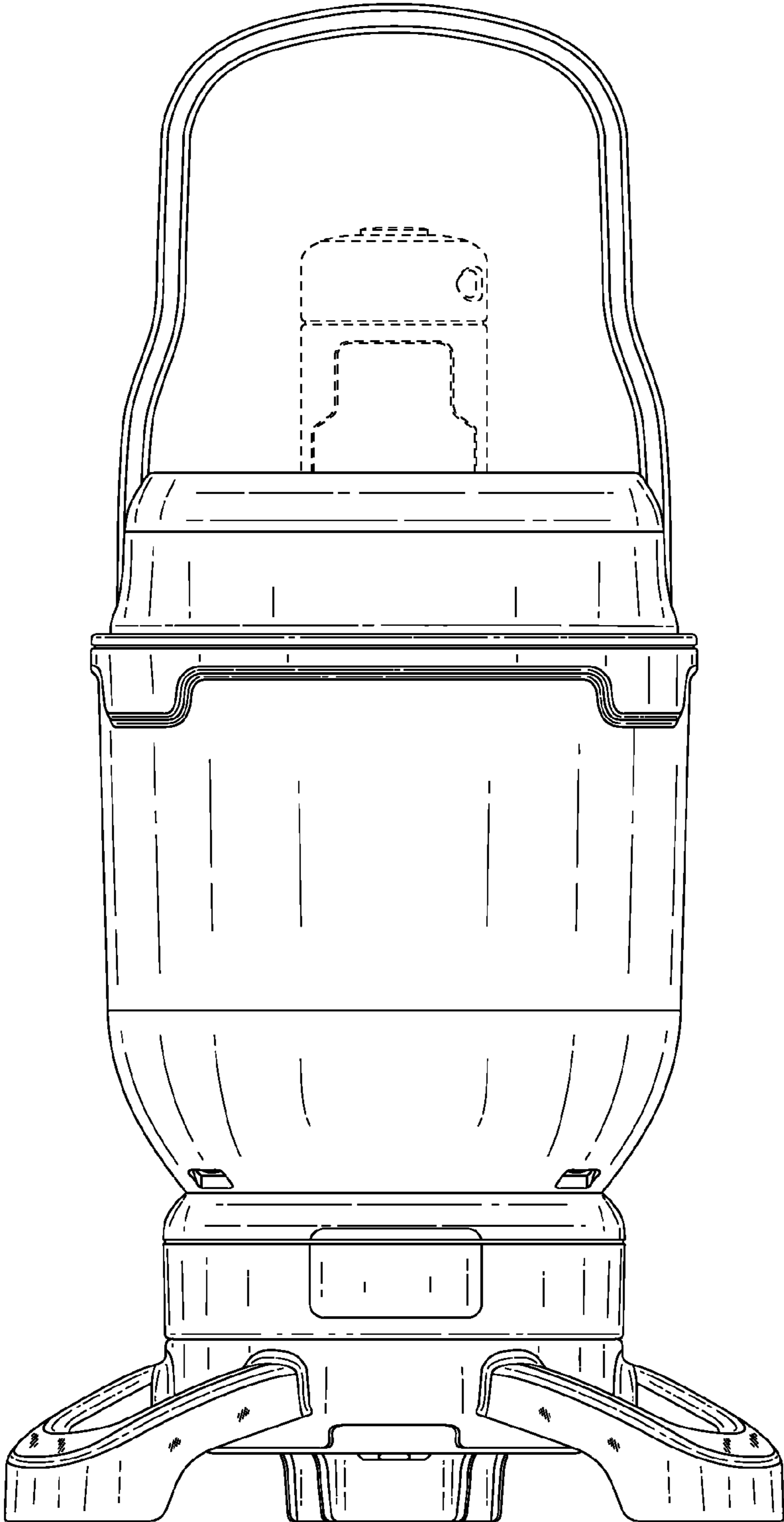


FIG. 3

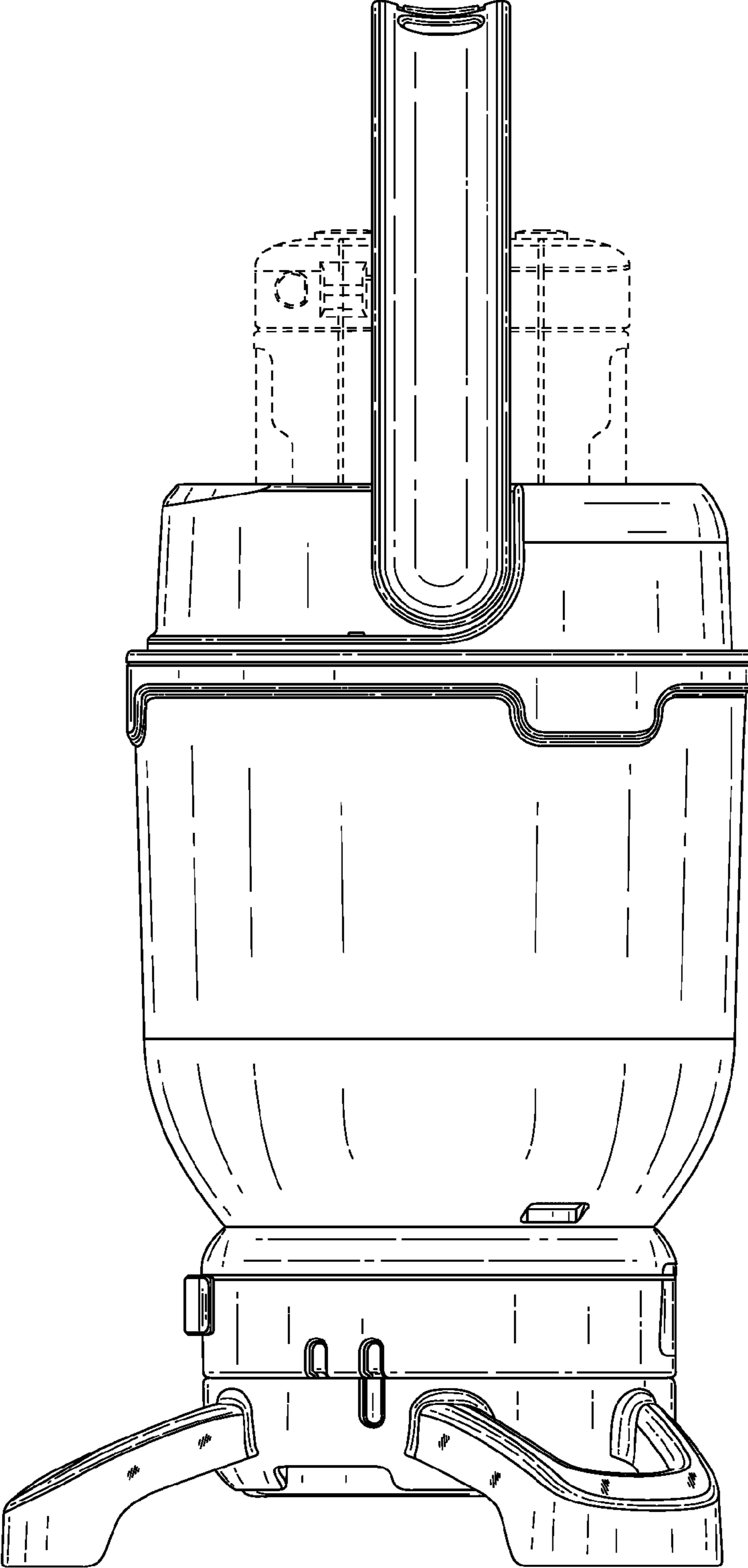


FIG. 4

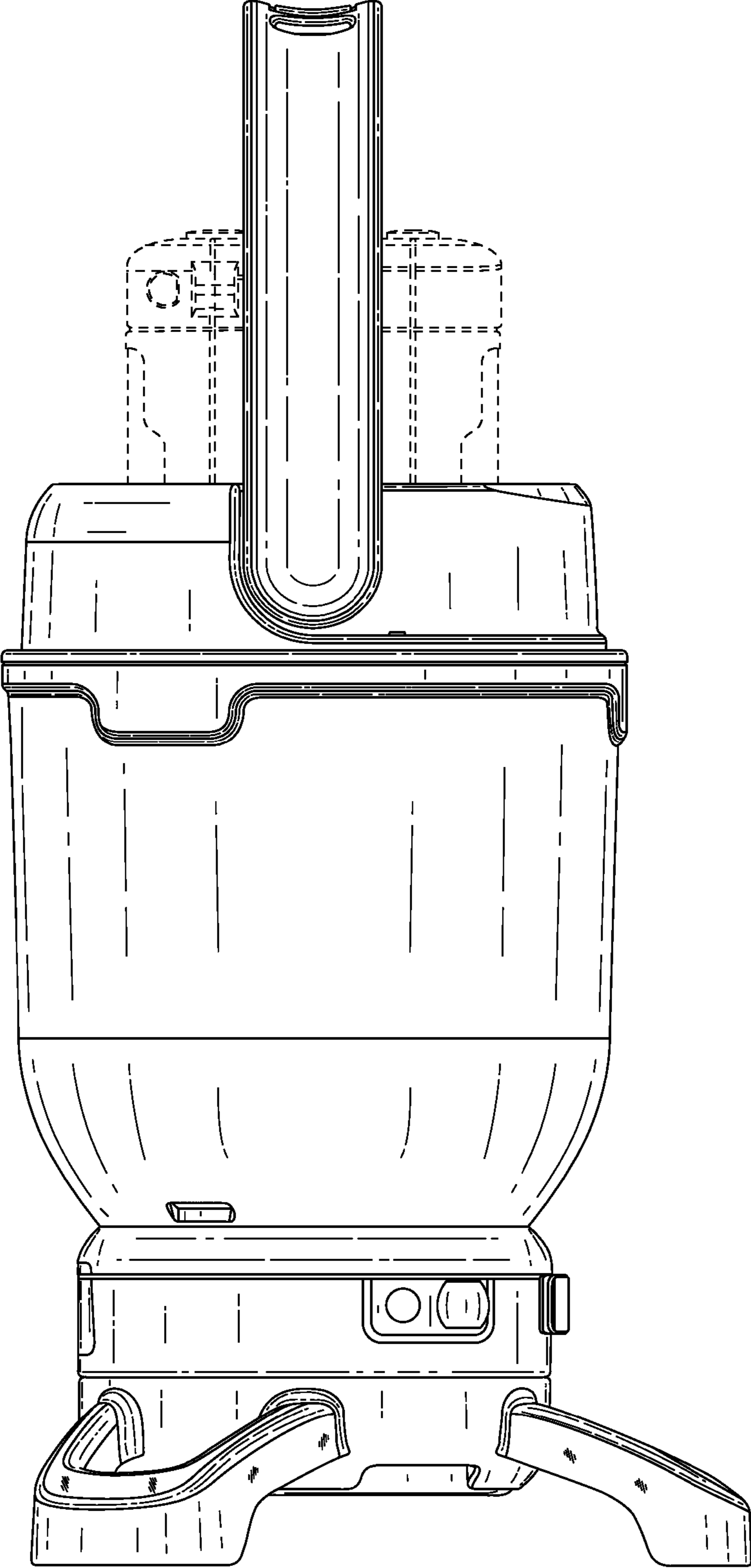


FIG. 5

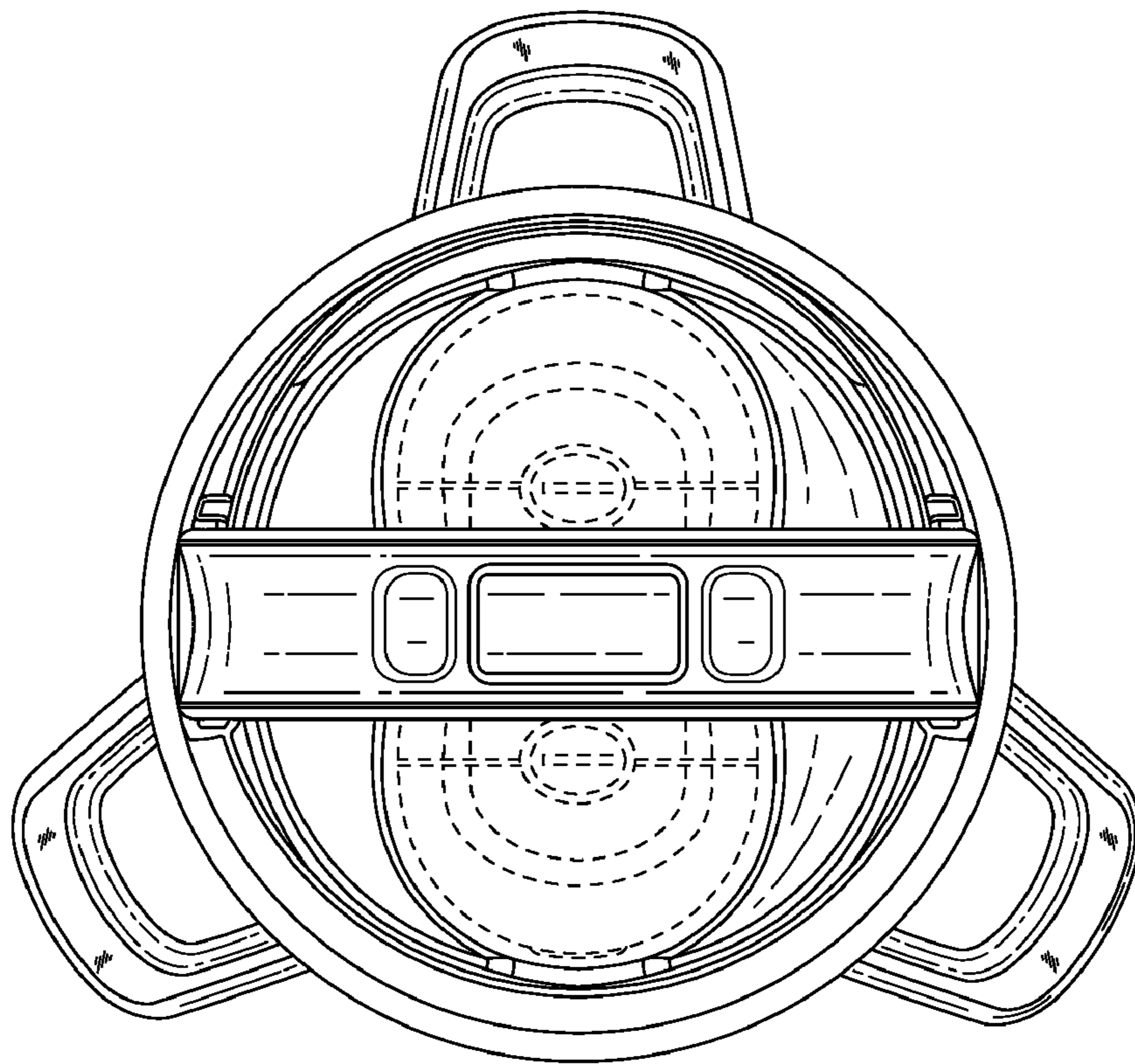


FIG. 6

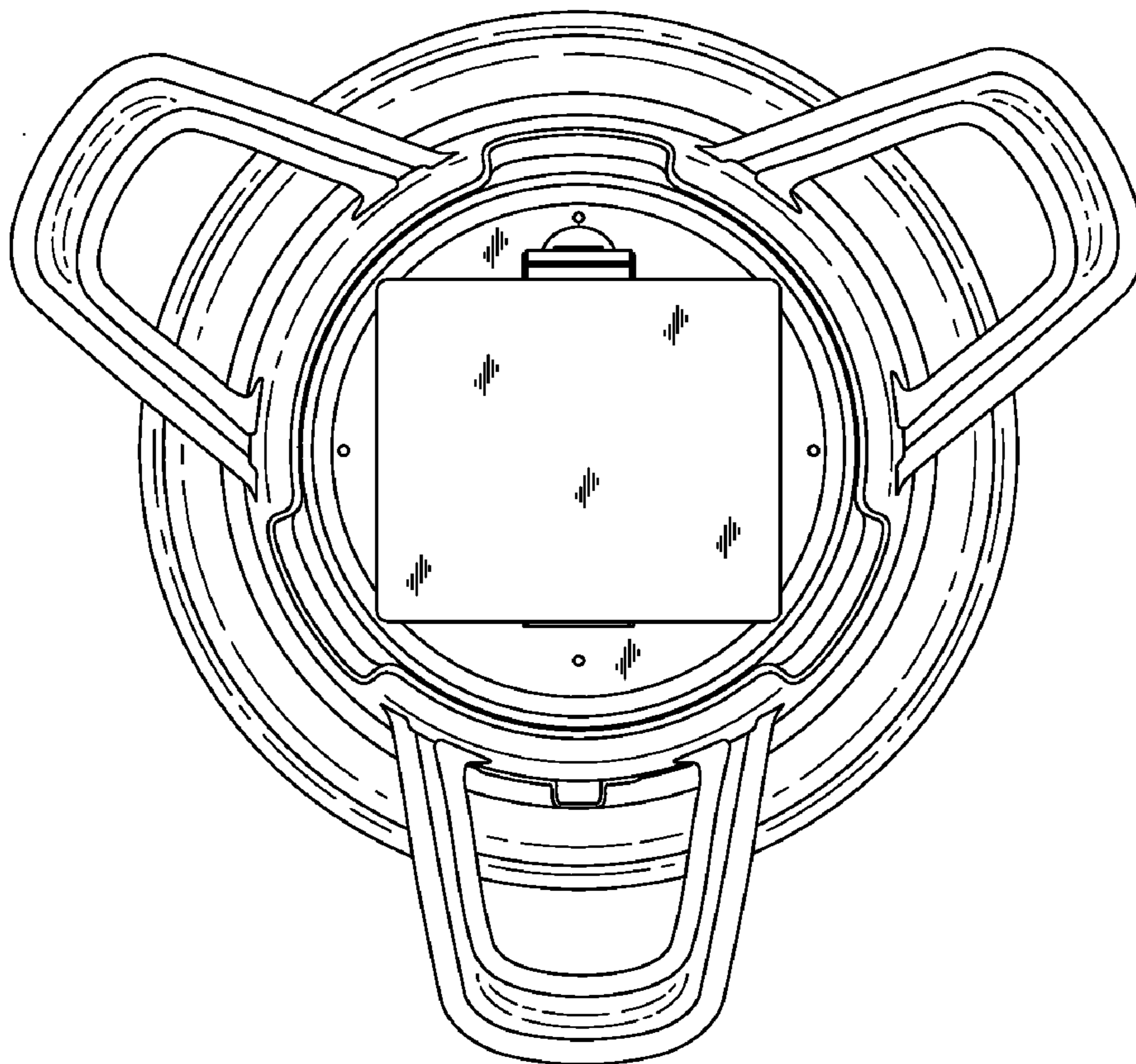


FIG. 7