



US00D628324S

(12) **United States Design Patent**
Matthews et al.

(10) **Patent No.:** **US D628,324 S**

(45) **Date of Patent:** **** Nov. 30, 2010**

(54) **LIGHTING DEVICE**

(75) Inventors: **John W. Matthews**, Newport Beach, CA (US); **William Wells**, Costa Mesa, CA (US)

(73) Assignee: **SureFire, LLC**, Fountain Valley, CA (US)

(**) Term: **14 Years**

(21) Appl. No.: **29/353,842**

(22) Filed: **Jan. 14, 2010**

(51) **LOC (9) Cl.** **26-05**

(52) **U.S. Cl.** **D26/24; D22/108; D26/51**

(58) **Field of Classification Search** D26/24, D26/25, 27, 113, 118, 38, 51, 60; 362/551, 362/552, 554, 556, 555, 559, 806, 812, 565, 362/84, 217.01, 236, 237, 249.06, 249.14, 362/249.15, 249.16, 269; 385/901; D22/108; 42/123, 131, 132, 146

See application file for complete search history.

(56) **References Cited**

U.S. PATENT DOCUMENTS

D95,274 S *	4/1935	Levy	D26/24
D548,385 S *	8/2007	Sharrah et al.	D26/60
D567,894 S *	4/2008	Sterling et al.	D22/108
D568,508 S *	5/2008	Howe et al.	D26/38
D581,586 S *	11/2008	Conroy	D26/138
D585,516 S *	1/2009	Smith	D22/108

7,576,515 B2 *	8/2009	Greenslade	320/110
7,614,760 B2 *	11/2009	Sharrah et al.	362/111
D612,970 S *	3/2010	Sharrah et al.	D26/60
2004/0068913 A1 *	4/2004	Solinsky et al.	42/146
2007/0227056 A1 *	10/2007	Howe et al.	42/146
2008/0134562 A1 *	6/2008	Teetzel	42/146
2010/0164401 A1 *	7/2010	Matthews et al.	315/294

* cited by examiner

Primary Examiner—Angela J Lee

(74) *Attorney, Agent, or Firm*—Haynes and Boone, LLP

(57) **CLAIM**

The ornamental design for a lighting device, as shown and described.

DESCRIPTION

FIG. 1 is a front perspective view of a lighting device showing our new design;

FIG. 2 is a rear perspective view thereof;

FIG. 3 is a bottom plan view thereof.

FIG. 4 is a top plan view thereof;

FIG. 5 is a right side elevational view thereof;

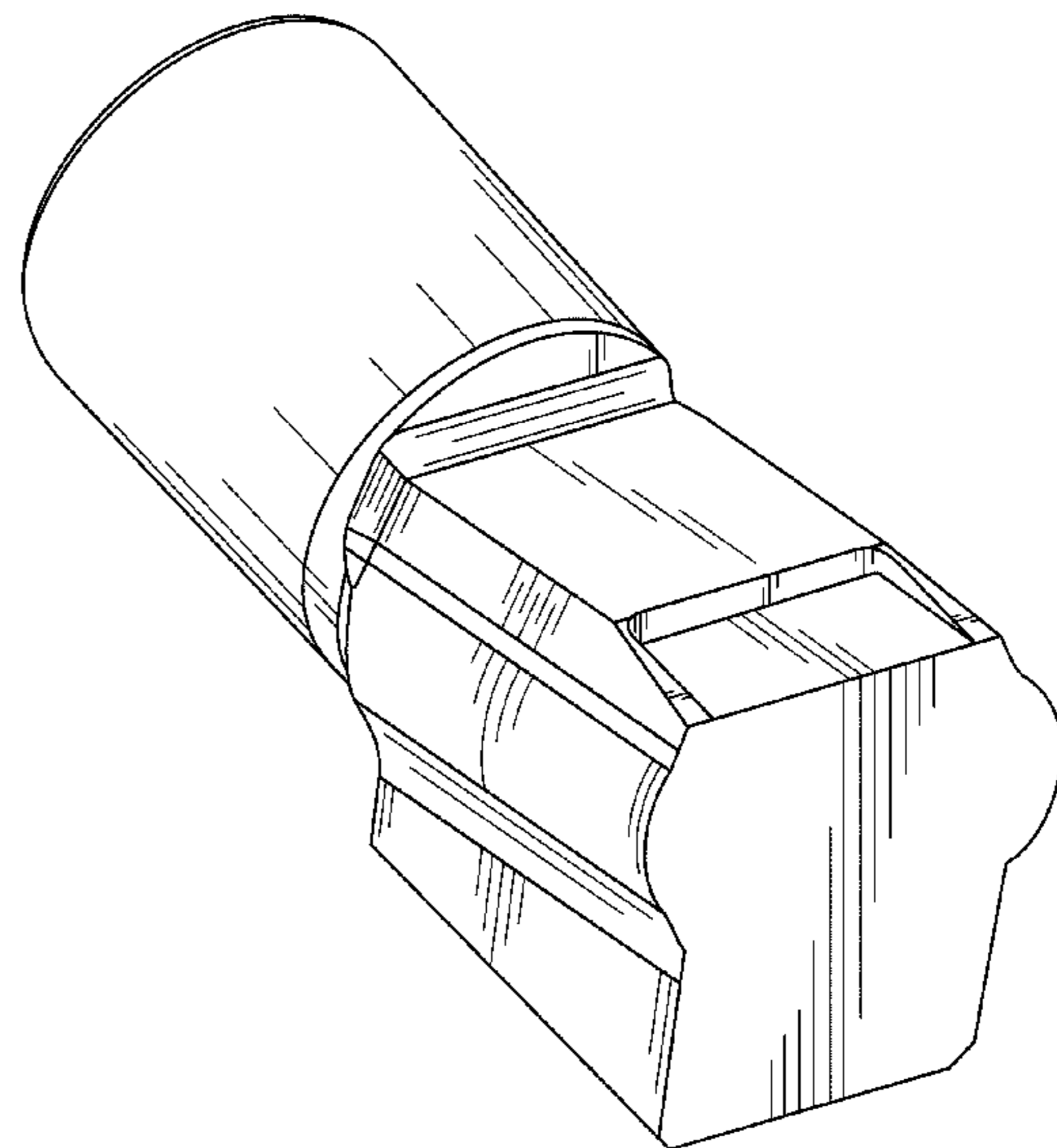
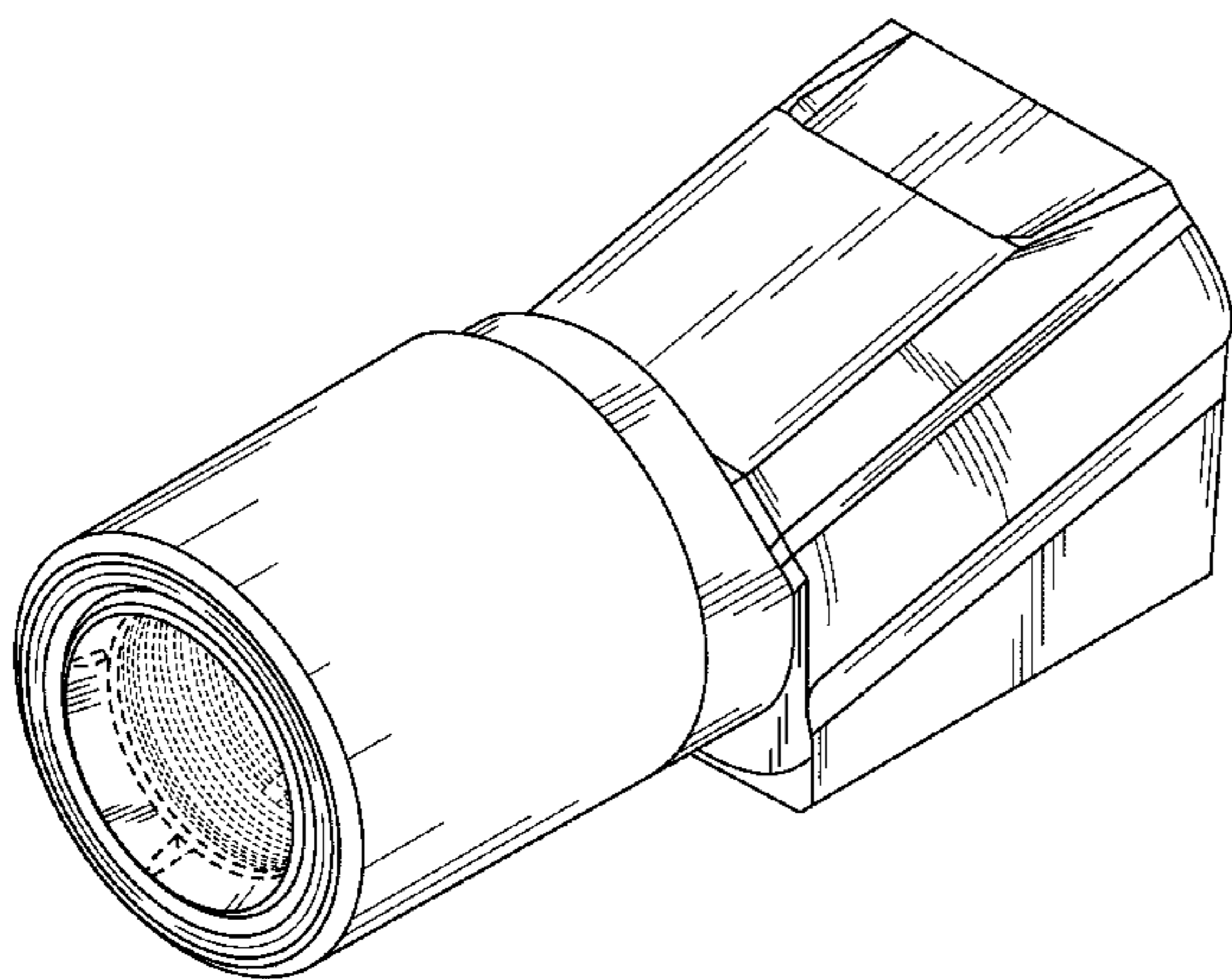
FIG. 6 is a left side elevational view thereof;

FIG. 7 is a front side elevational view thereof; and,

FIG. 8 is a rear side elevational view thereof.

The dashed lines in FIGS. 1-8 are shown for illustrative purposes and form no part of the claimed design.

1 Claim, 8 Drawing Sheets



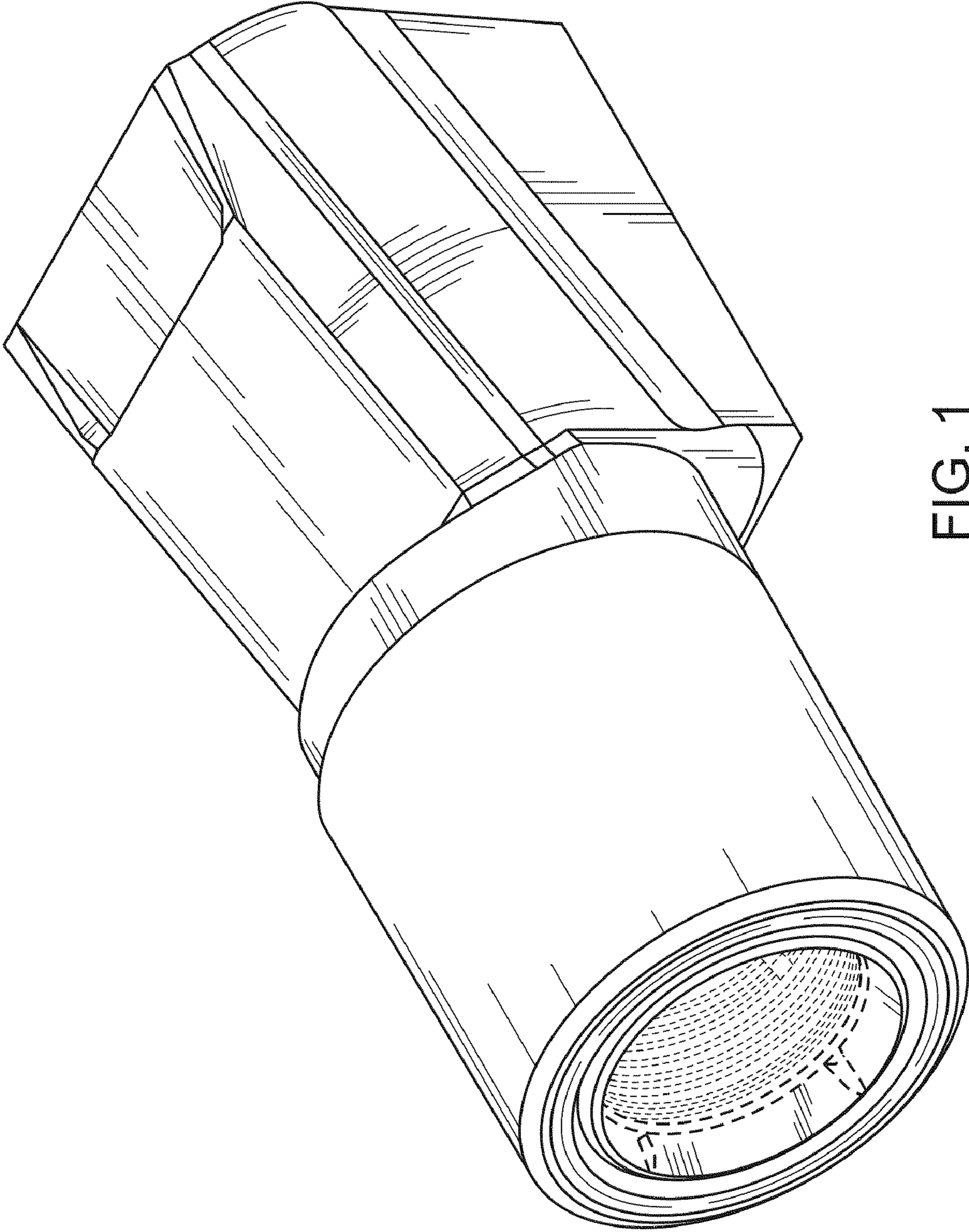


FIG. 1

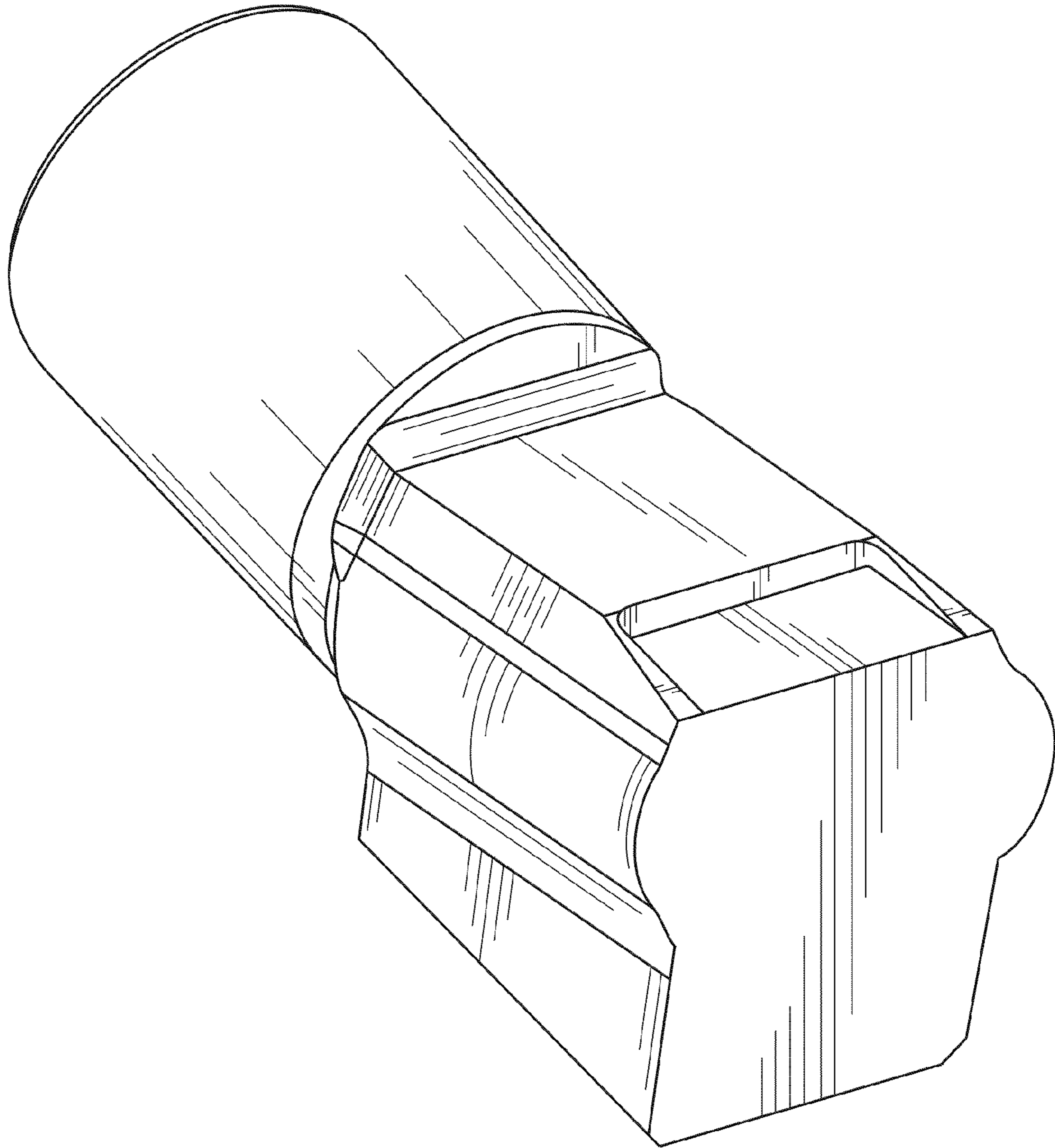


FIG. 2

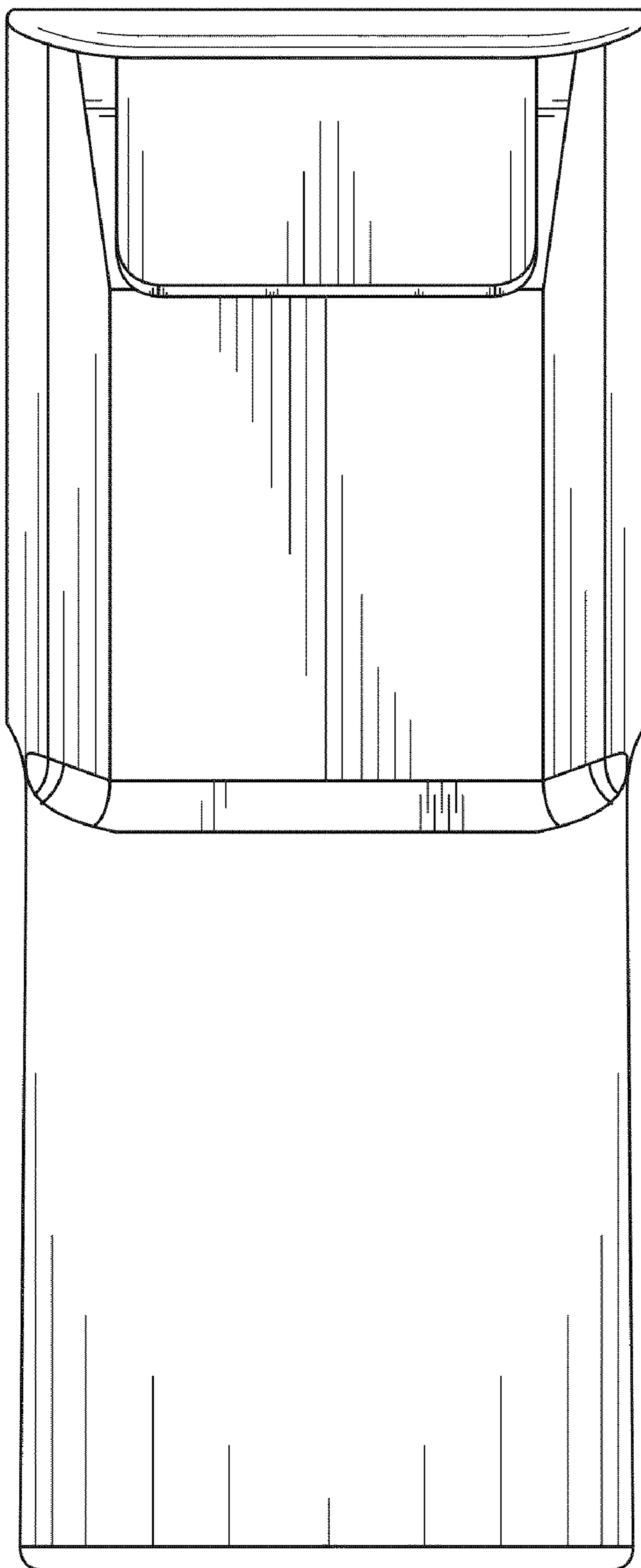


FIG. 3

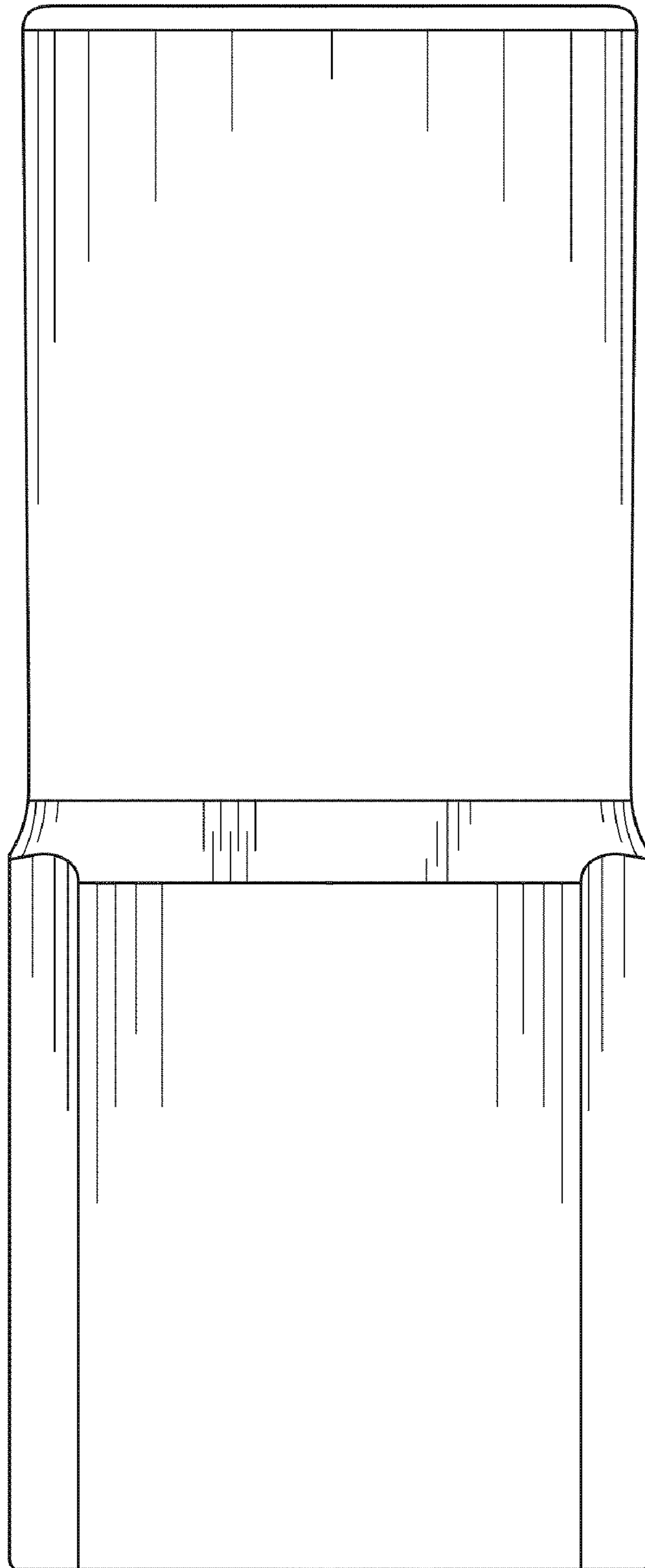


FIG. 4

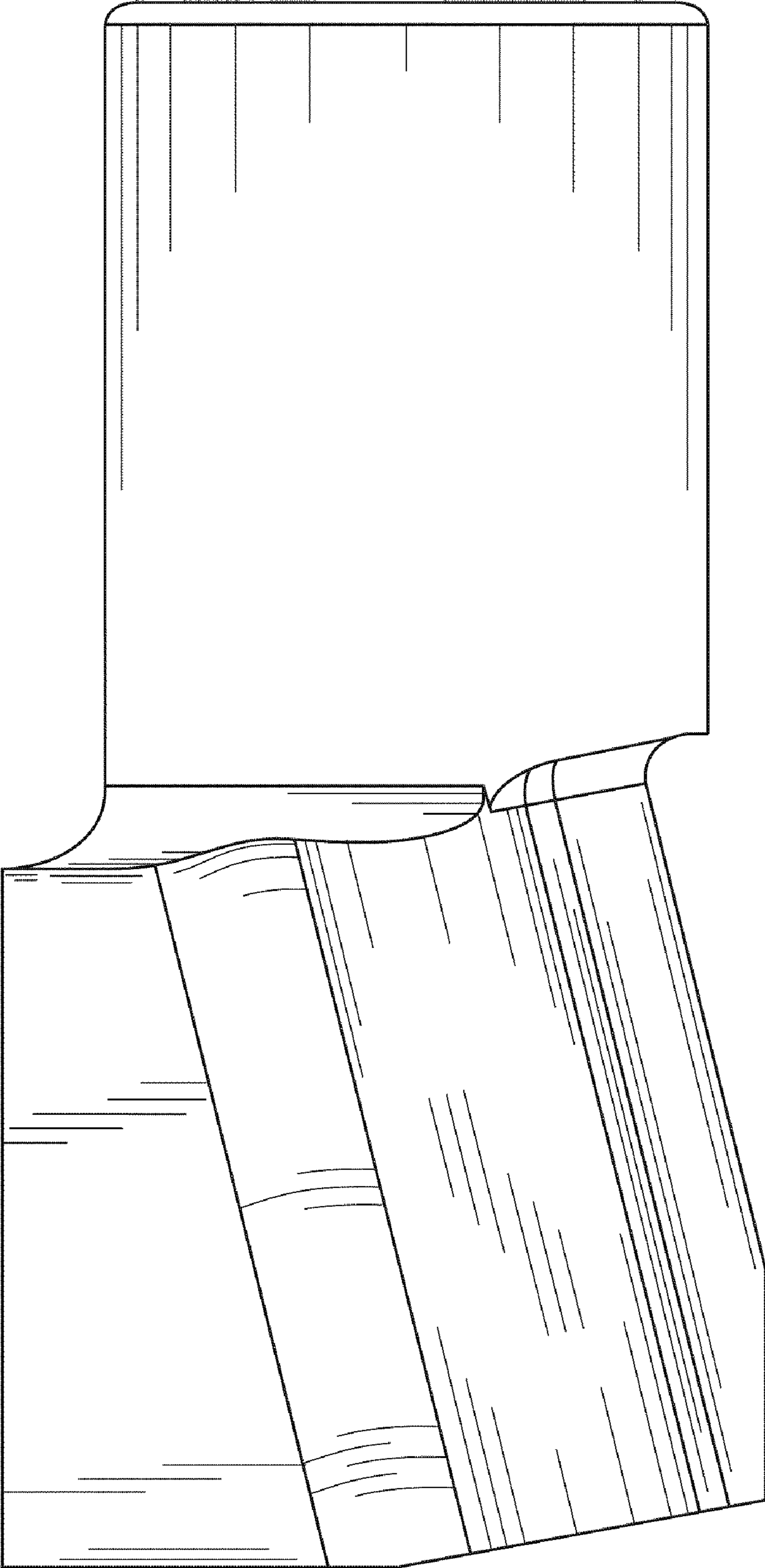


FIG. 5

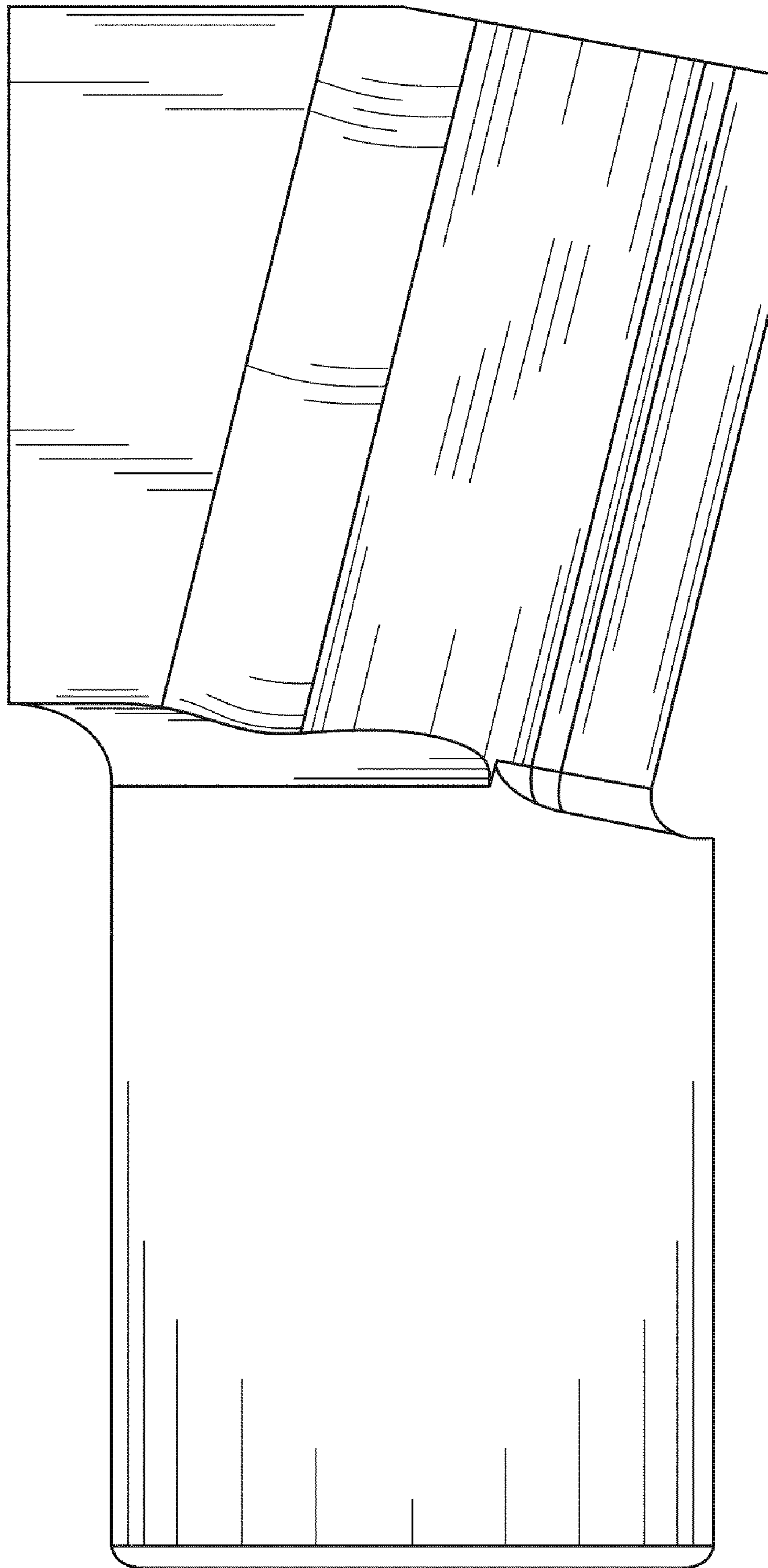


FIG. 6

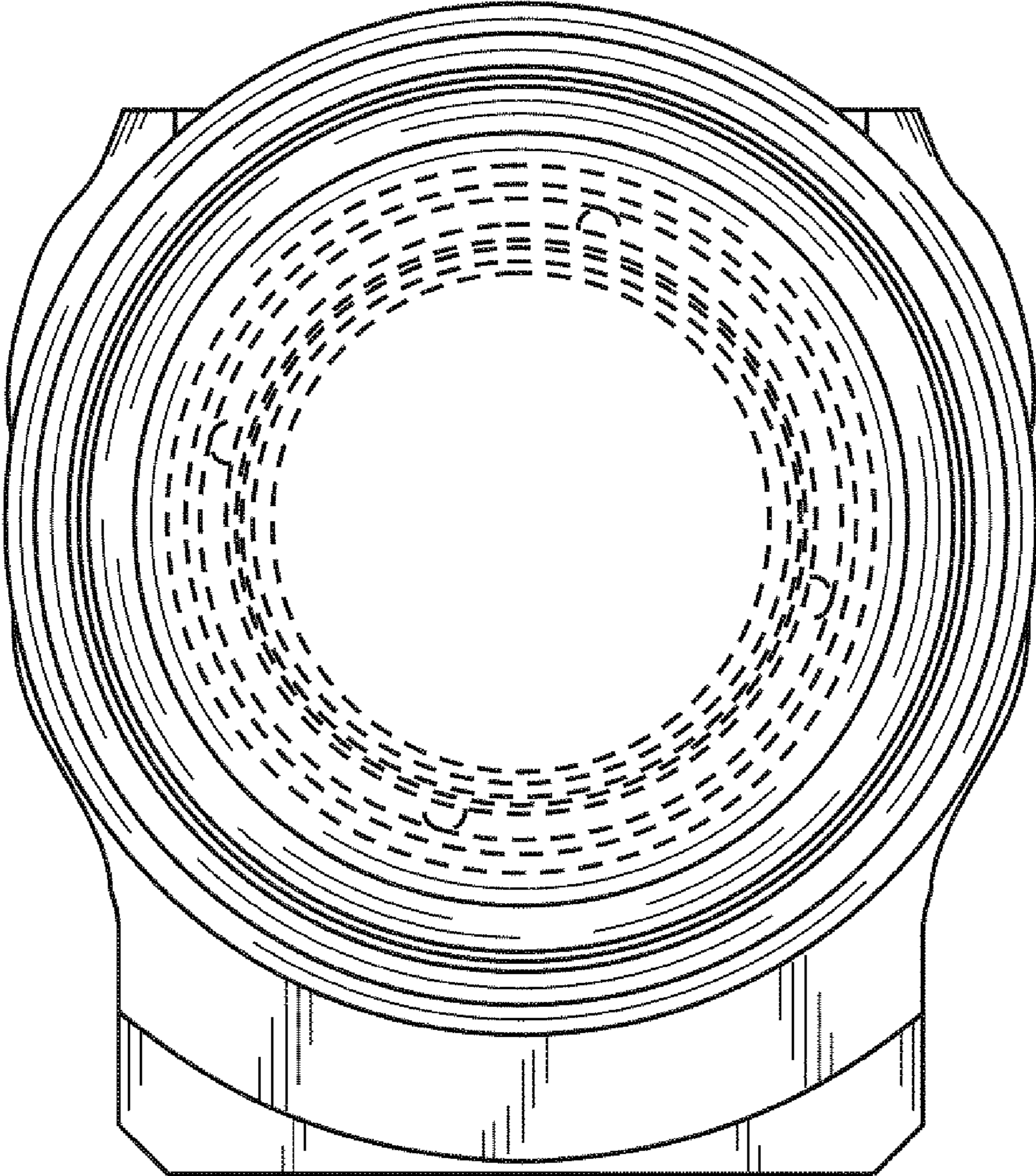


FIG. 7

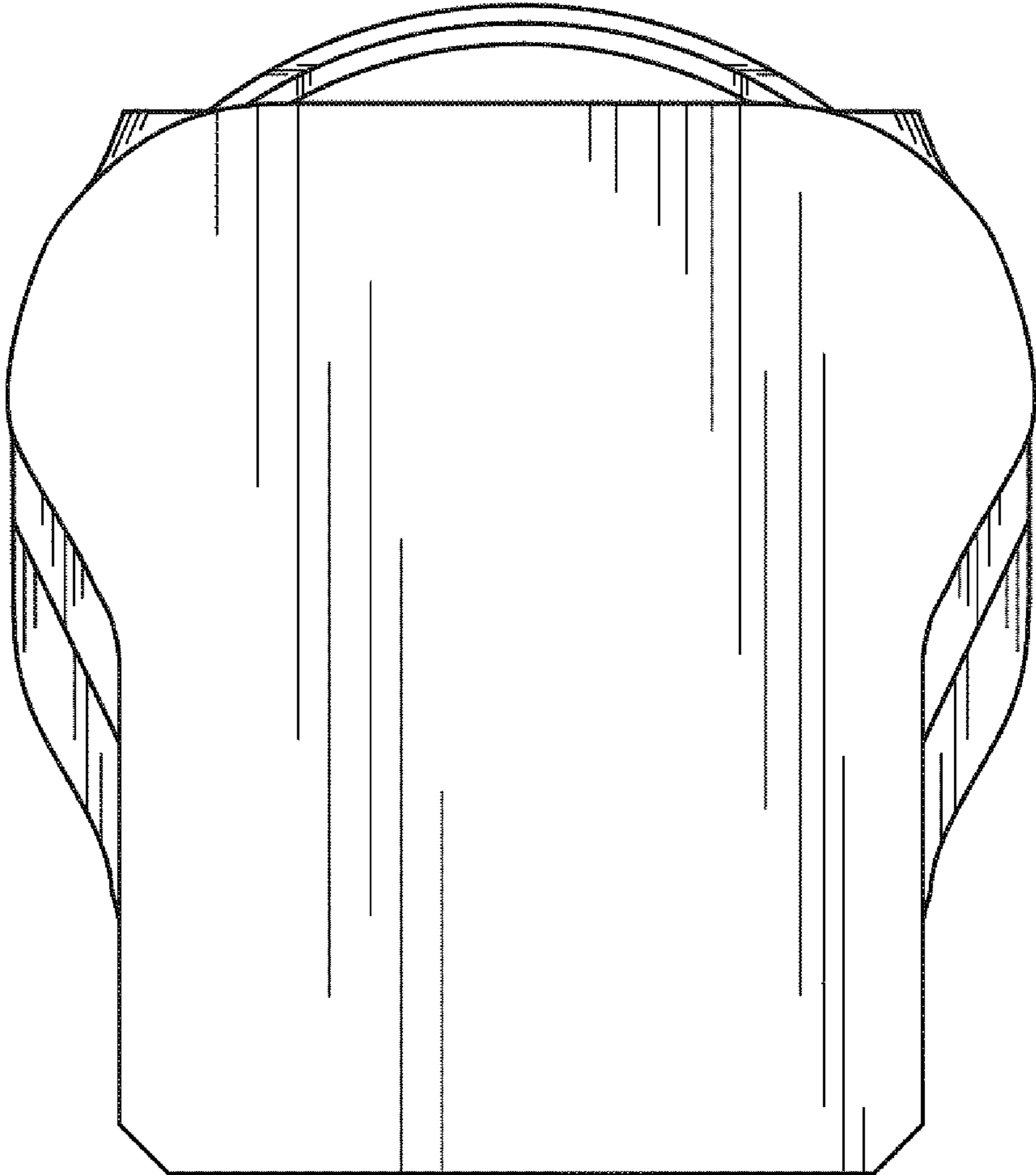


FIG. 8