



US00D628323S

(12) **United States Design Patent**  
**Matthews et al.**

(10) **Patent No.:** **US D628,323 S**

(45) **Date of Patent:** **\*\* Nov. 30, 2010**

(54) **LIGHTING DEVICE**

(75) Inventors: **John W. Matthews**, Newport Beach, CA  
(US); **William Wells**, Costa Mesa, CA  
(US)

(73) Assignee: **SureFire, LLC**, Fountain Valley, CA  
(US)

(\*\*) Term: **14 Years**

(21) Appl. No.: **29/353,840**

(22) Filed: **Jan. 14, 2010**

(51) **LOC (9) Cl.** ..... **26-05**

(52) **U.S. Cl.** ..... **D26/24; D22/108; D26/51**

(58) **Field of Classification Search** ..... D26/24,  
D26/25, 27, 113, 118, 38, 51, 60; 362/551,  
362/552, 554, 556, 555, 559, 806, 812, 565,  
362/84, 217.01, 236, 237, 249.06, 249.14,  
362/249.15, 249.16, 269; 385/901; D22/108;  
42/123, 131, 132, 146

See application file for complete search history.

(56) **References Cited**

**U.S. PATENT DOCUMENTS**

D95,274 S *	4/1935	Levy .....	D26/24
D548,385 S *	8/2007	Sharrah et al. ....	D26/60
D567,894 S *	4/2008	Sterling et al. ....	D22/108
D568,508 S *	5/2008	Howe et al. ....	D26/38
D578,599 S *	10/2008	Cheng .....	D22/109
D581,586 S *	11/2008	Conroy .....	D26/138

D585,516 S *	1/2009	Smith .....	D22/108
D600,772 S *	9/2009	Swan .....	D22/108
7,614,760 B2 *	11/2009	Sharrah et al. ....	362/111
D612,970 S *	3/2010	Sharrah et al. ....	D26/60
D616,956 S *	6/2010	Hamilton .....	D22/108
2007/0227056 A1 *	10/2007	Howe et al. ....	42/146
2010/0164401 A1 *	7/2010	Matthews et al. ....	315/294

\* cited by examiner

*Primary Examiner*—Angela J Lee

(74) *Attorney, Agent, or Firm*—Haynes and Boone, LLP

(57) **CLAIM**

The ornamental design for a lighting device, as shown and described.

**DESCRIPTION**

FIG. 1 is a front perspective view of a lighting device showing our new design;

FIG. 2 is a rear perspective view thereof;

FIG. 3 is a bottom plan view thereof.

FIG. 4 is a top plan view thereof;

FIG. 5 is a right side elevational view thereof;

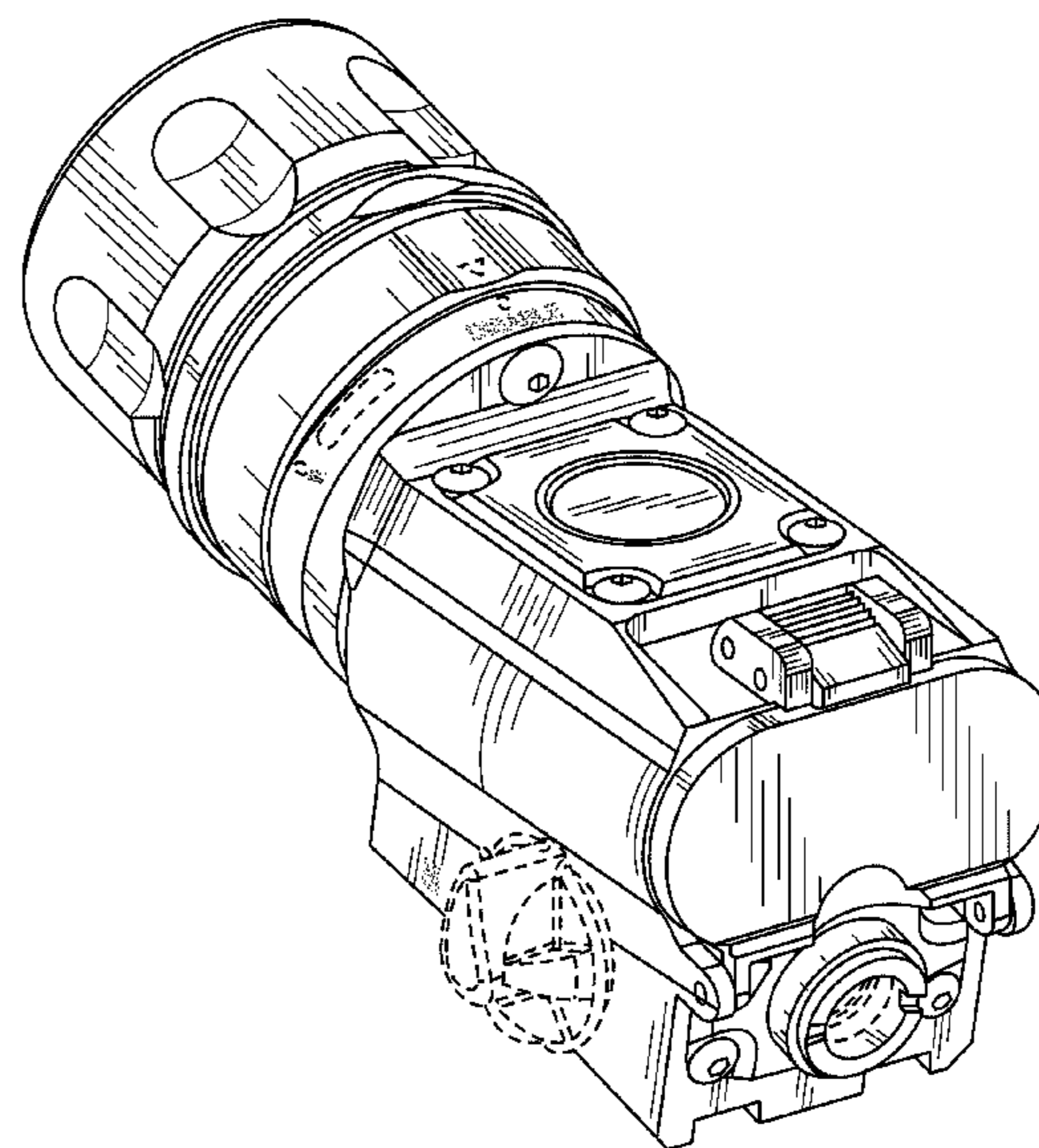
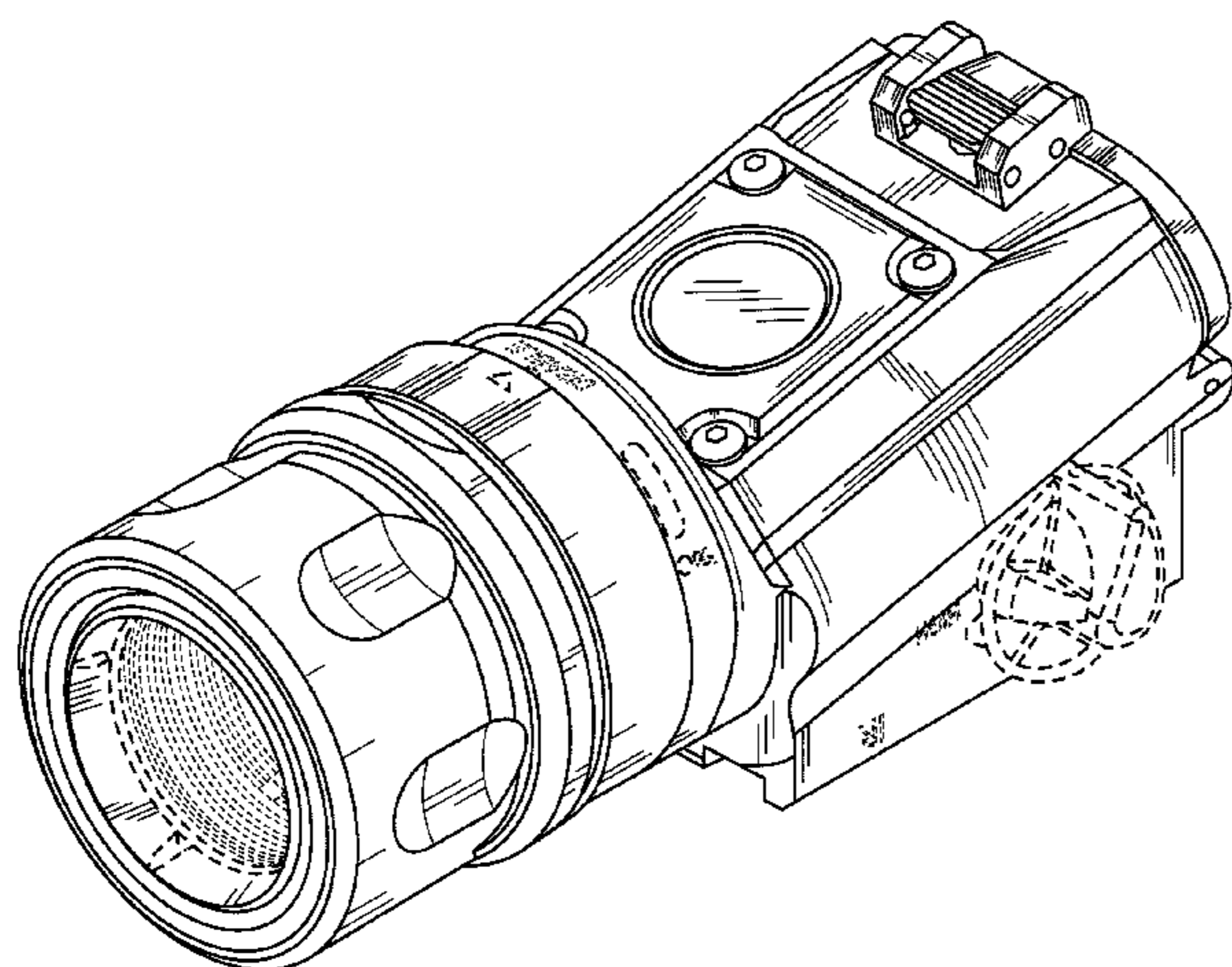
FIG. 6 is a left side elevational view thereof;

FIG. 7 is a front side elevational view thereof; and,

FIG. 8 is a rear side elevational view thereof.

The dashed lines in FIGS. 1-8 are shown for illustrative purposes and form no part of the claimed design.

**1 Claim, 8 Drawing Sheets**



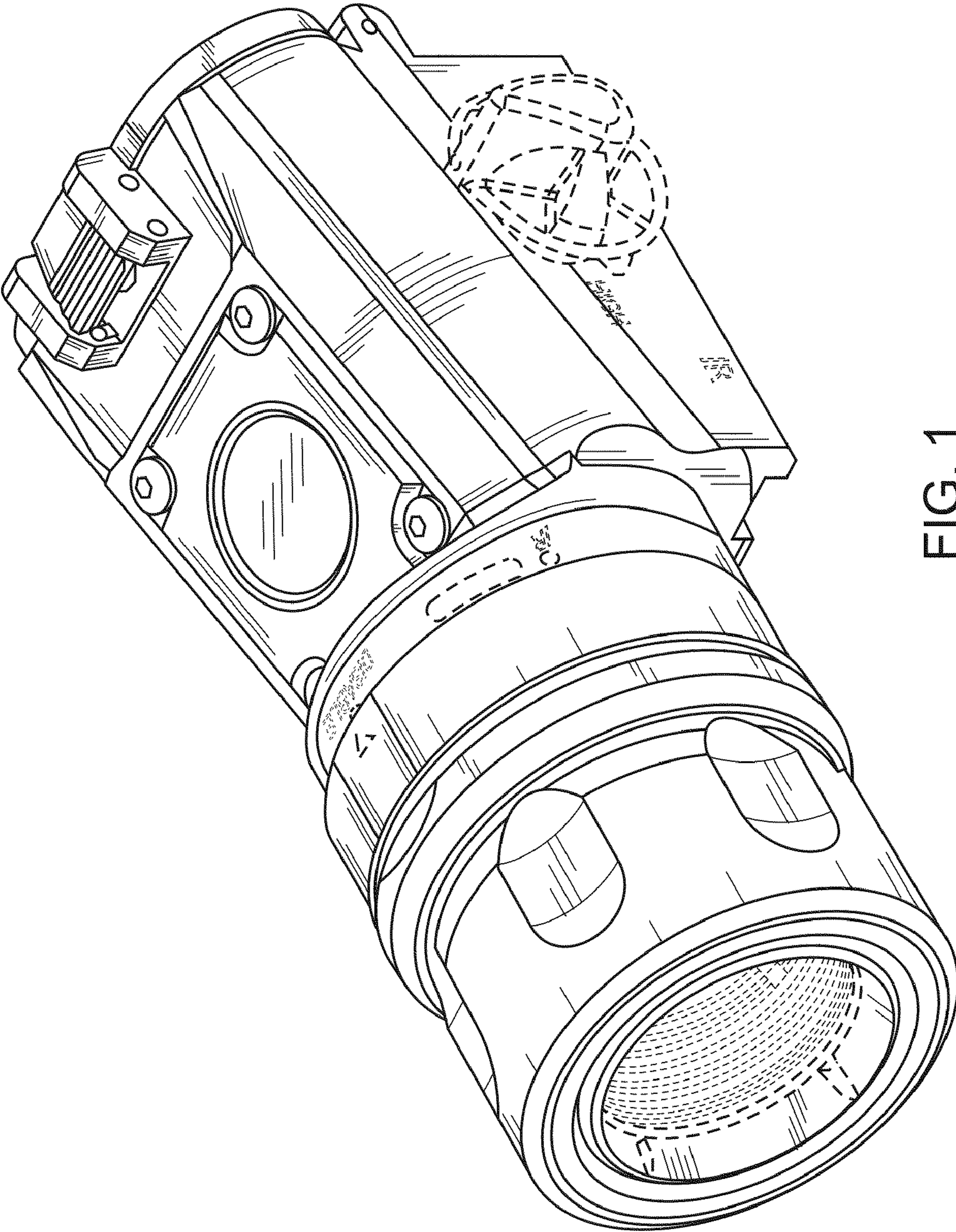


FIG. 1



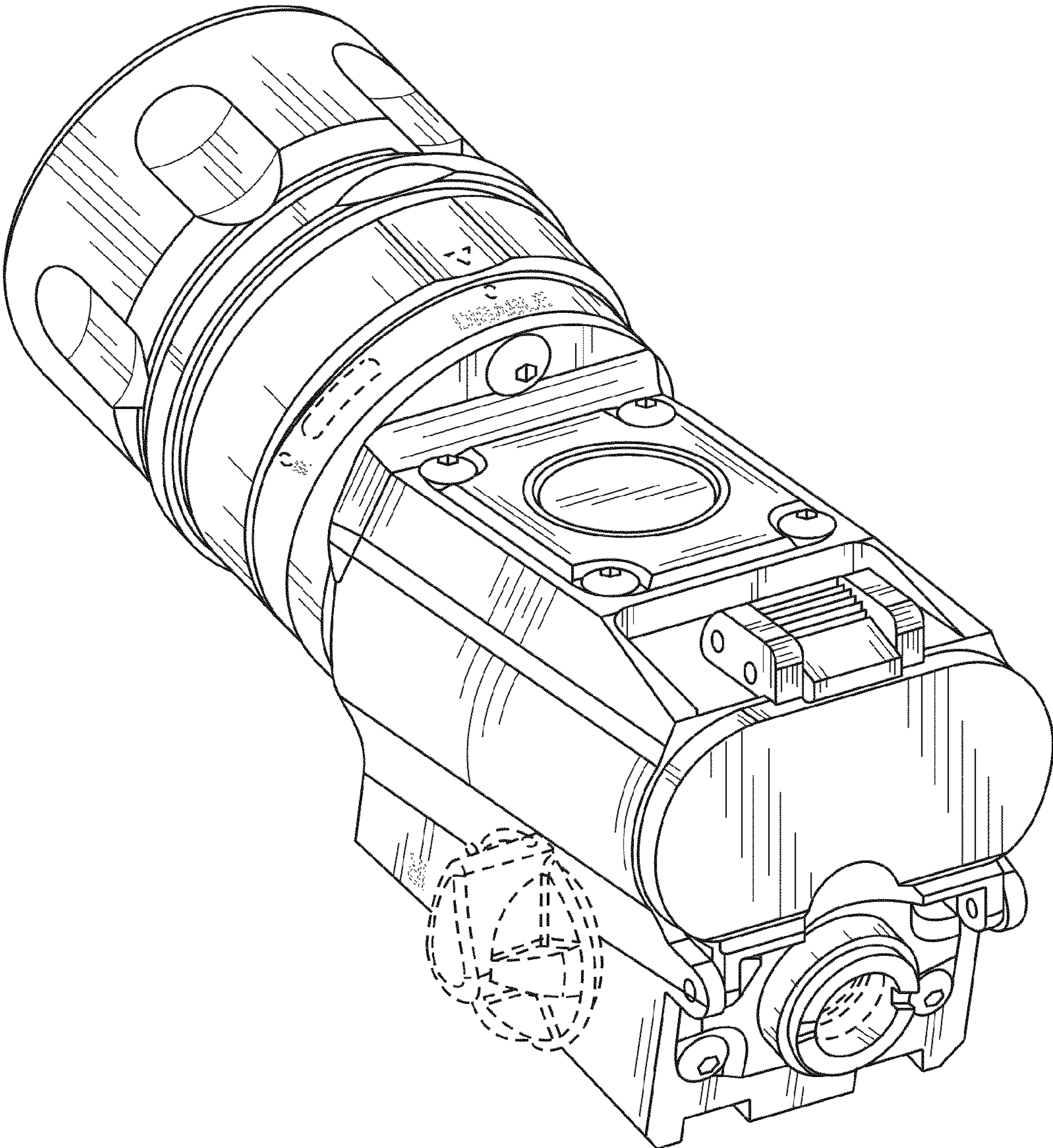


FIG. 2

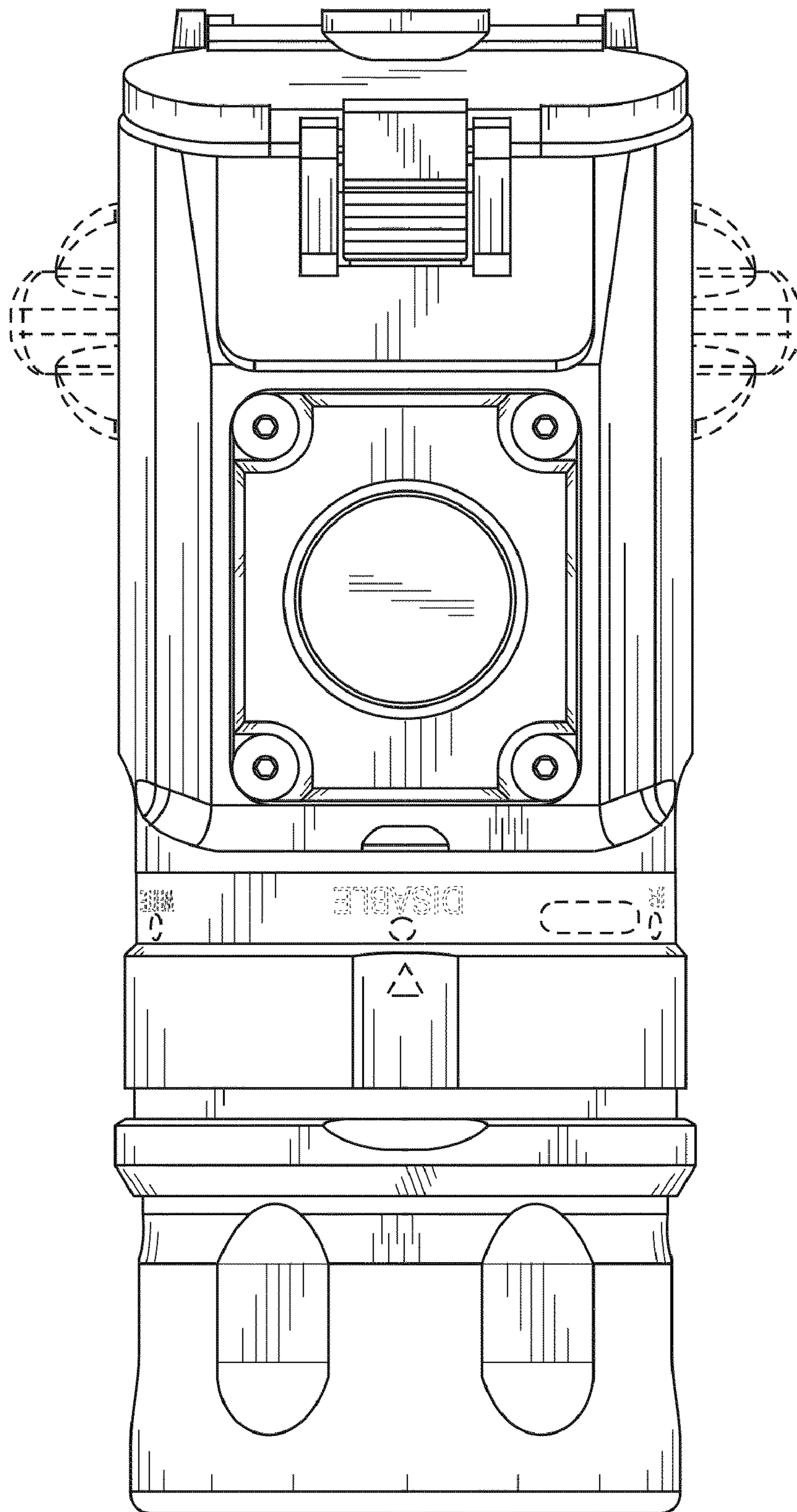


FIG. 3

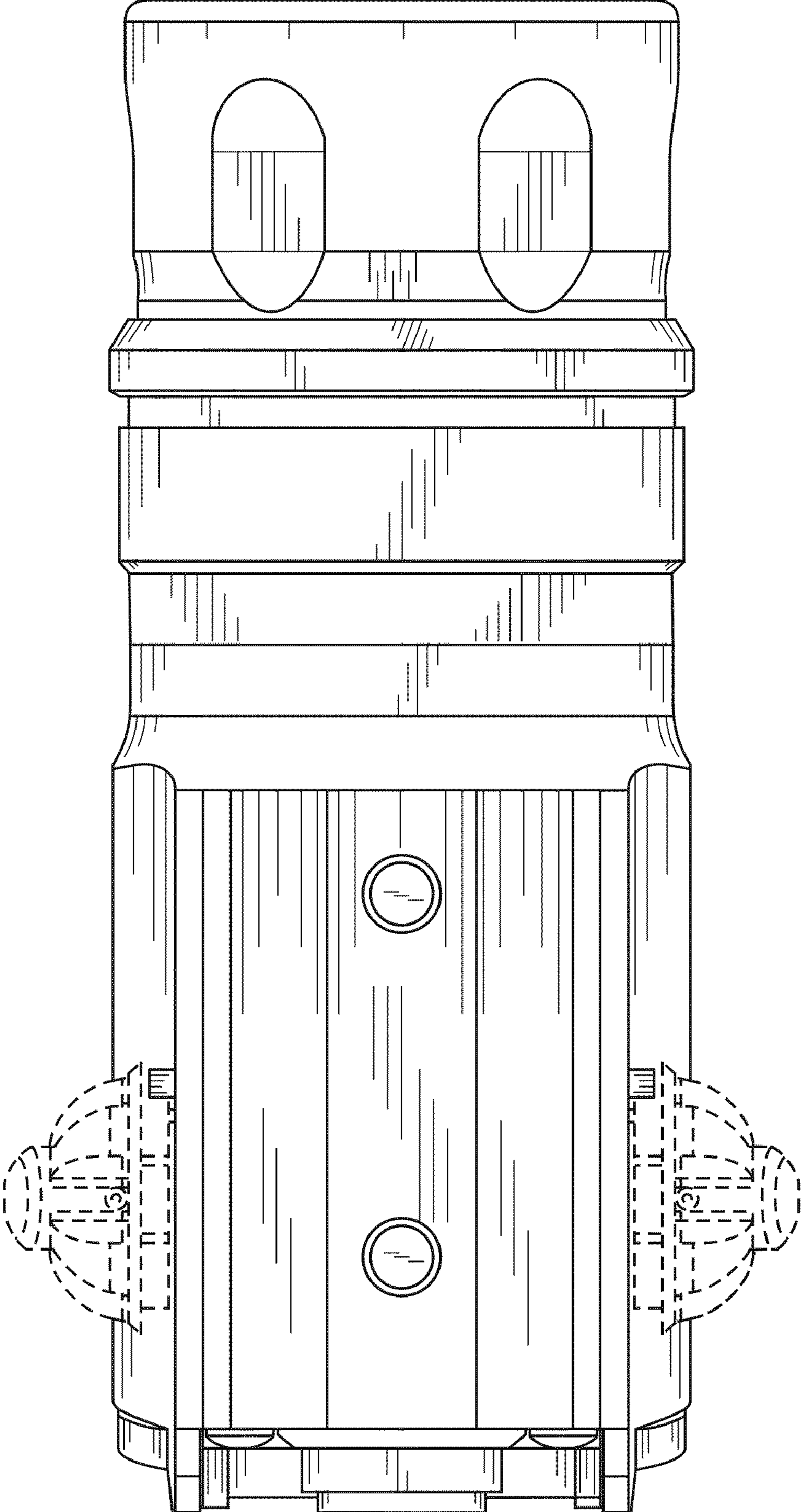


FIG. 4



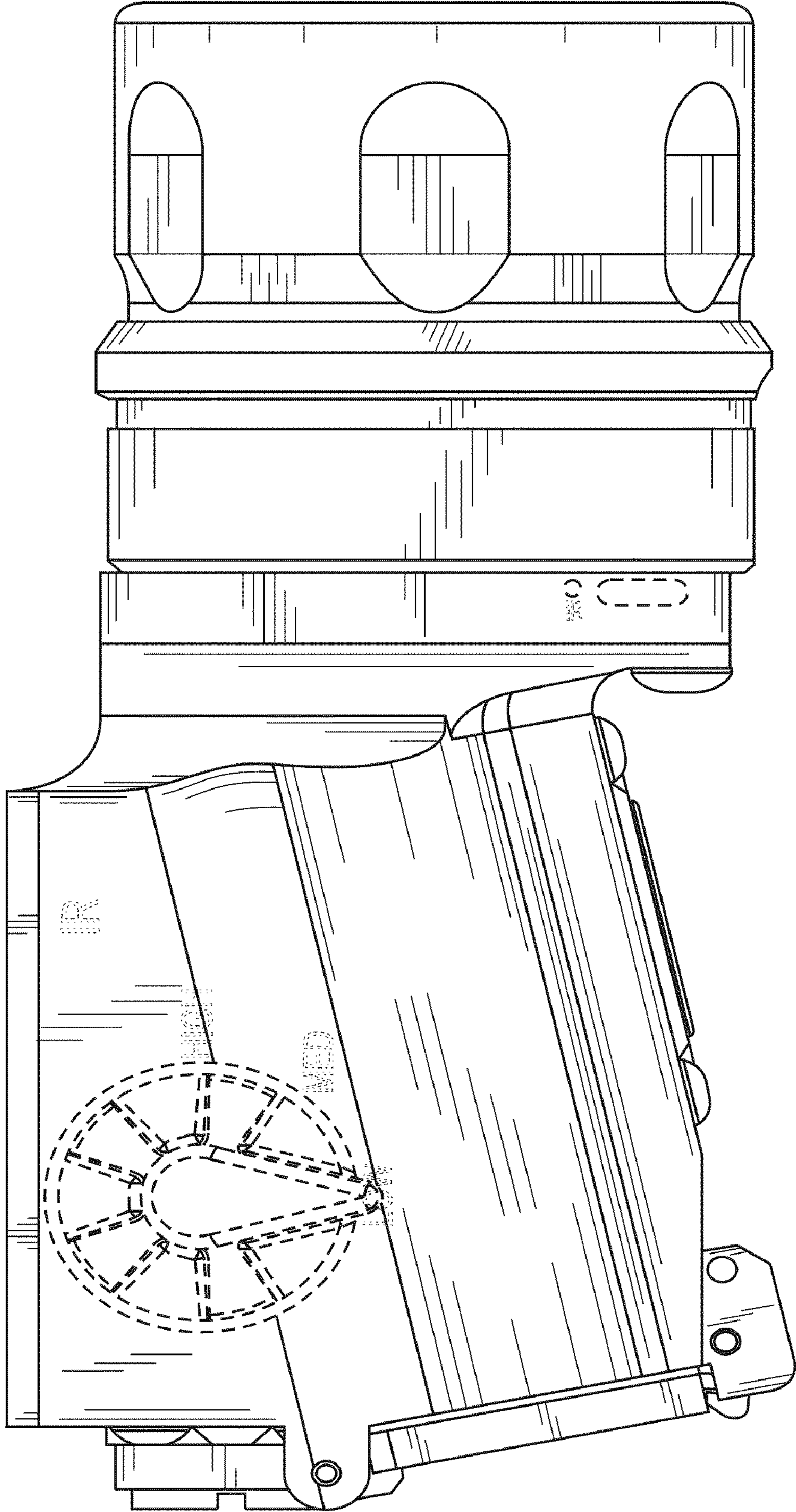


FIG. 5

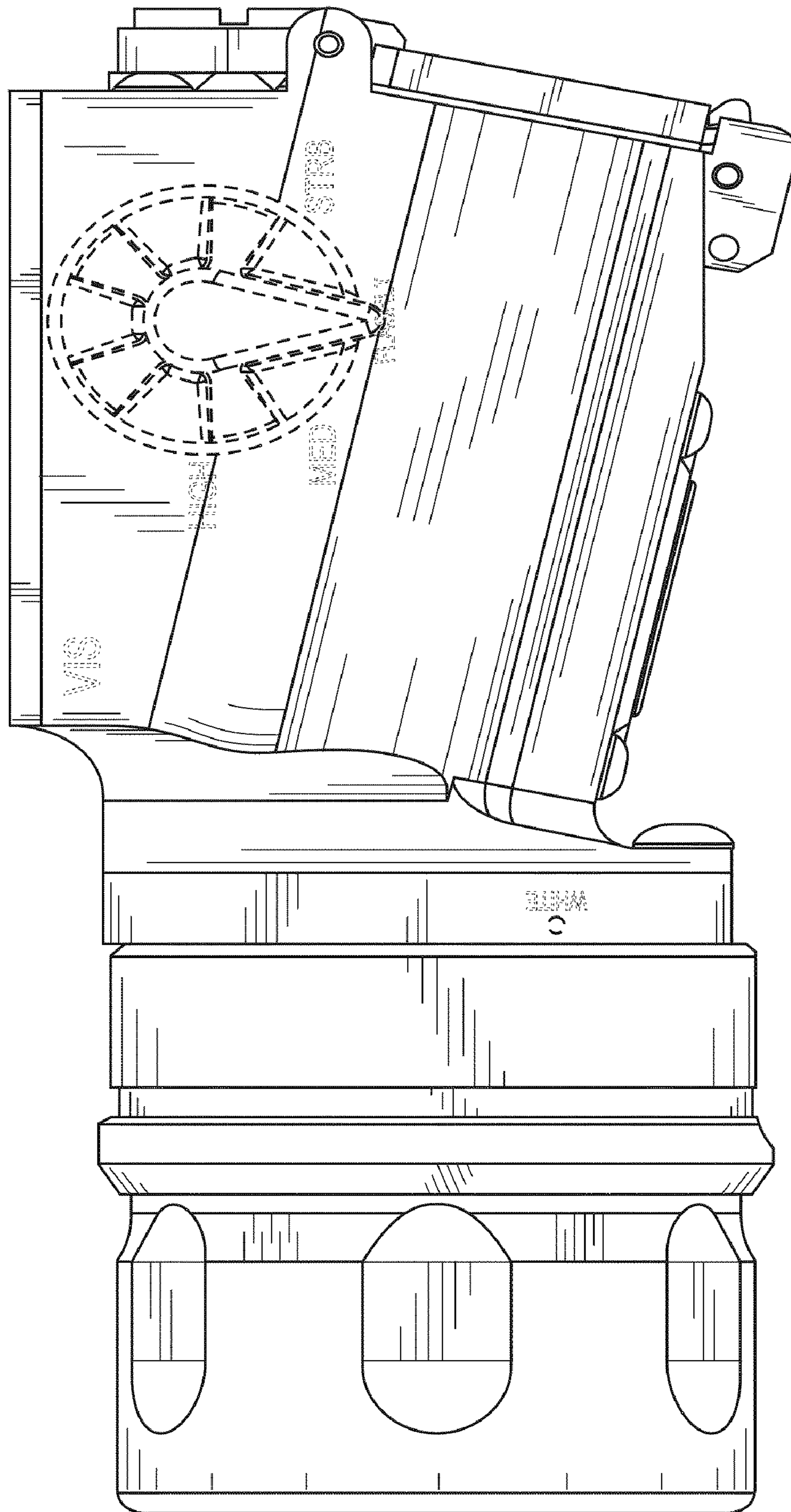


FIG. 6

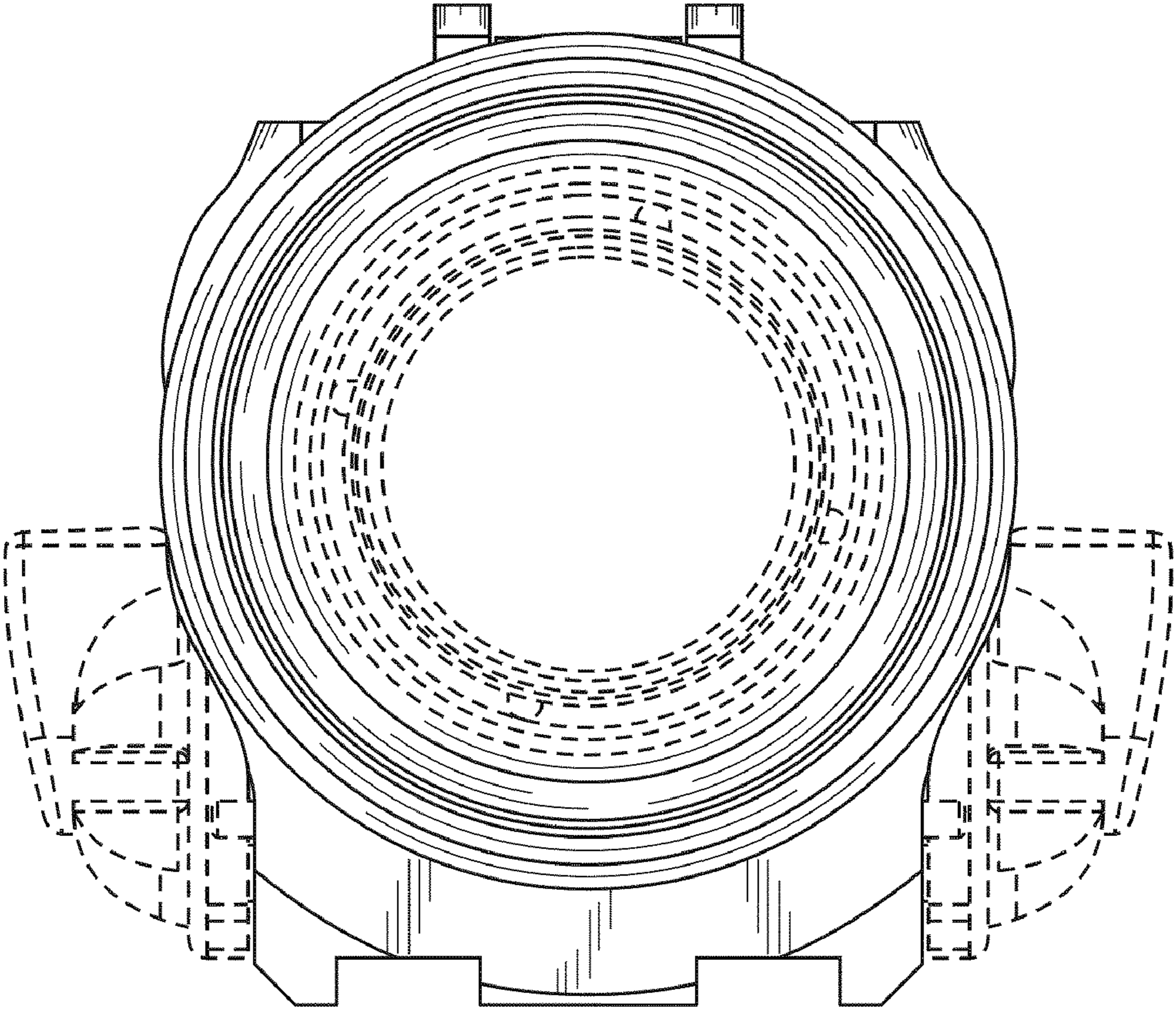


FIG. 7



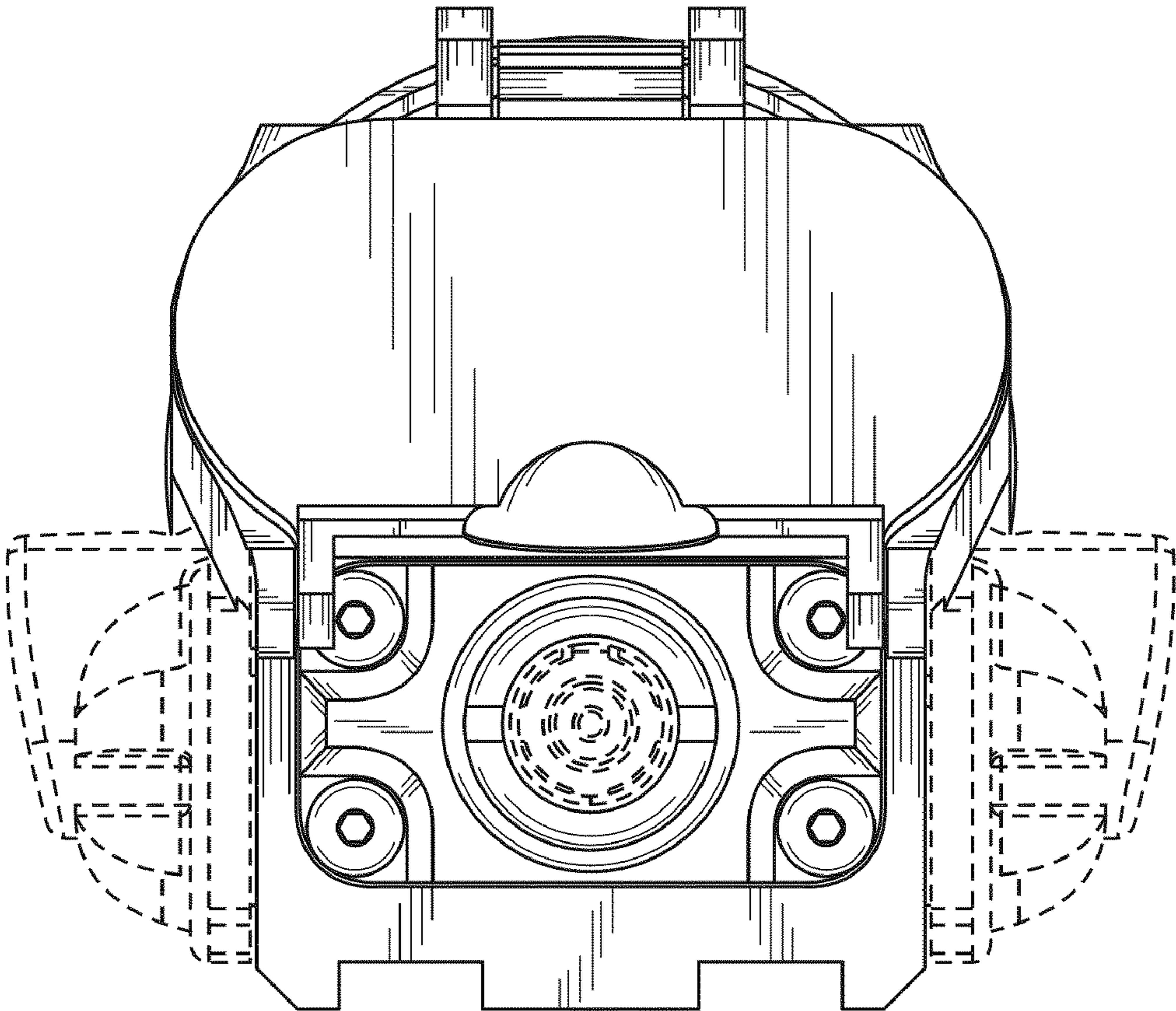


FIG. 8