

US00D628319S

(12) **United States Design Patent**  
**Yoshinobu et al.**

(10) **Patent No.:** **US D628,319 S**  
(45) **Date of Patent:** **\*\* Nov. 30, 2010**

(54) **LIGHT EMITTING DIODE LAMP**  
(75) Inventors: **Masayuki Yoshinobu**, Kanagawa (JP);  
**Aiko Hiraga**, Kanagawa (JP);  
**Jiann-Hung Lee**, Taipei (TW)

D601,279 S \* 9/2009 Ou et al. .... D26/2  
D607,586 S \* 1/2010 Ko ..... D26/2  
D610,271 S 2/2010 Bi  
D610,722 S \* 2/2010 Bi ..... D26/2

(73) Assignees: **Toshiba Lighting & Technology Corporation**, Kanagawa (JP);  
**Kabushiki Kaisha Toshiba**, Tokyo (JP)

FOREIGN PATENT DOCUMENTS  
EM 001051999-0001 12/2008  
EM 001051999-0002 12/2008

(\*\*) Term: **14 Years**

\* cited by examiner  
*Primary Examiner*—Marcus A Jackson  
(74) *Attorney, Agent, or Firm*—J.C. Patents

(21) Appl. No.: **29/363,453**

(57) **CLAIM**

(22) Filed: **Jun. 9, 2010**

The ornamental design for a light emitting diode lamp, as shown.

(30) **Foreign Application Priority Data**  
Dec. 24, 2009 (JP) ..... 2009-029967

**DESCRIPTION**

(51) **LOC (9) Cl.** ..... **26-04**  
(52) **U.S. Cl.** ..... **D26/2**  
(58) **Field of Classification Search** ..... D26/1-4;  
313/313, 315, 316, 317, 318, 493; 315/52,  
315/53, 56, 57, 58

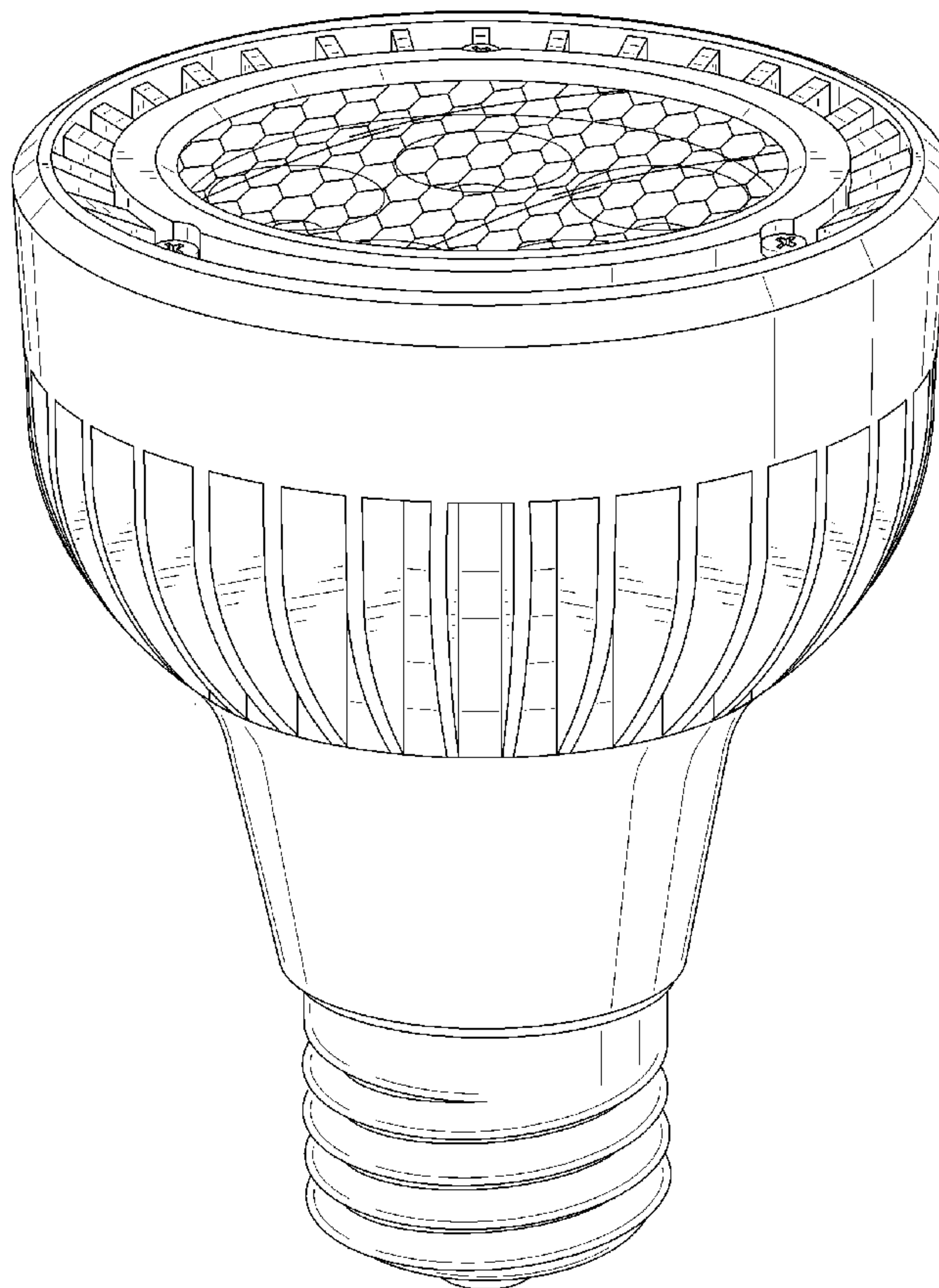
FIG. 1 is a perspective view of a light emitting diode lamp showing our new design.  
FIG. 2 is a front view thereof.  
FIG. 3 is a rear view thereof.  
FIG. 4 is a left side view thereof.  
FIG. 5 is a right side view thereof.  
FIG. 6 is a top view thereof; and,  
FIG. 7 is a bottom view thereof.

See application file for complete search history.

(56) **References Cited**  
U.S. PATENT DOCUMENTS

D582,578 S \* 12/2008 Tsai et al. .... D26/2

**1 Claim, 7 Drawing Sheets**



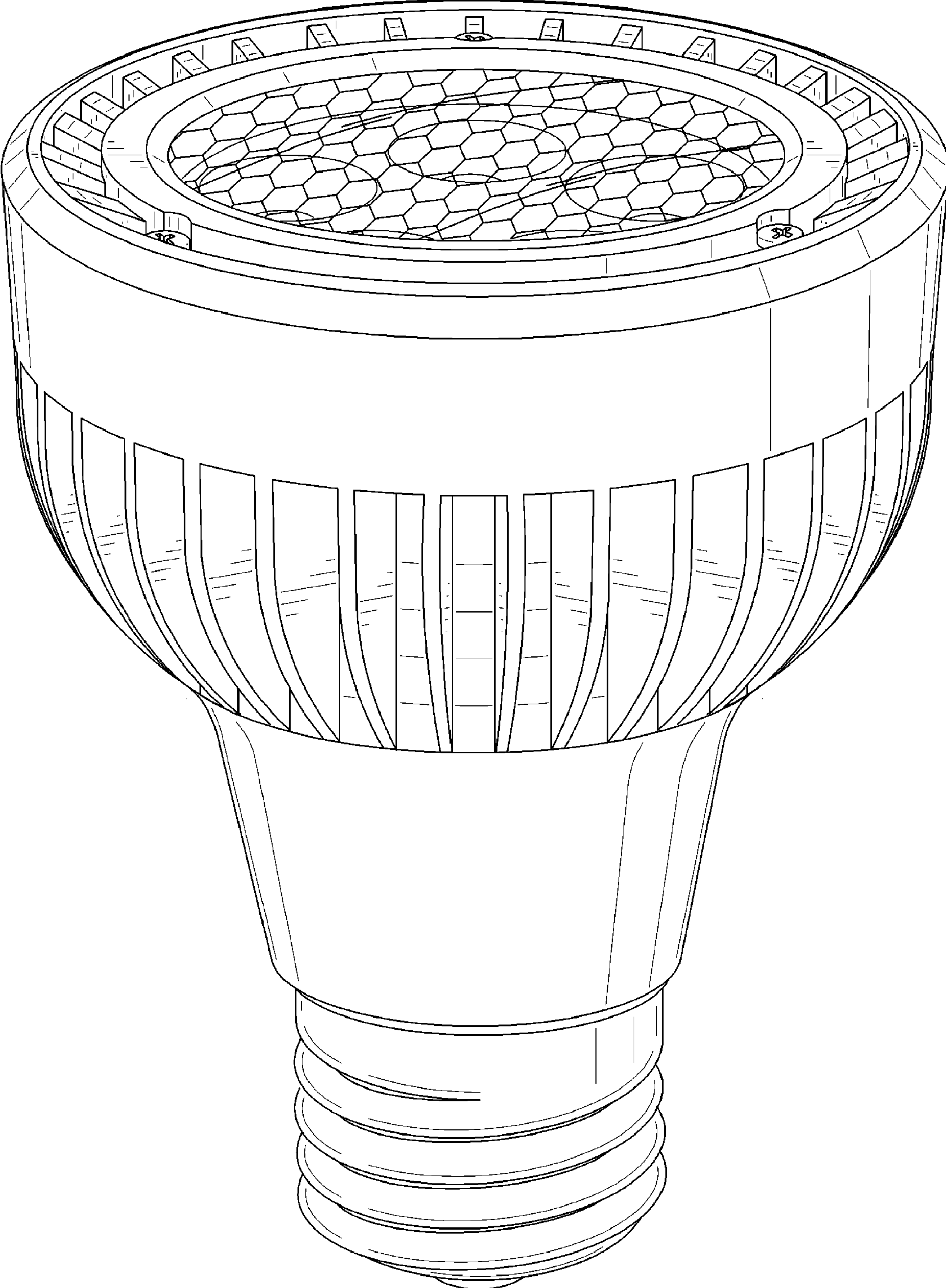


FIG. 1

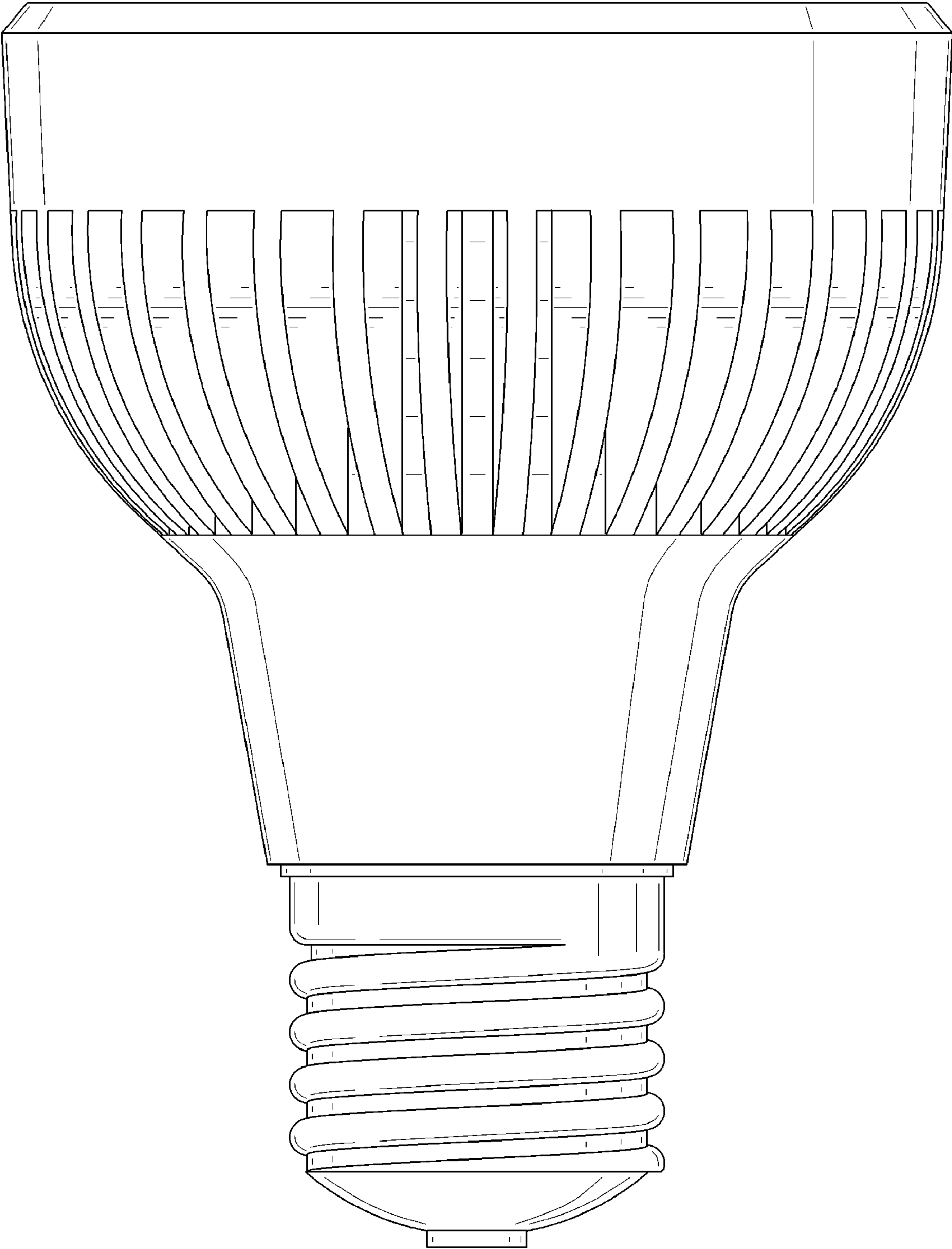


FIG. 2

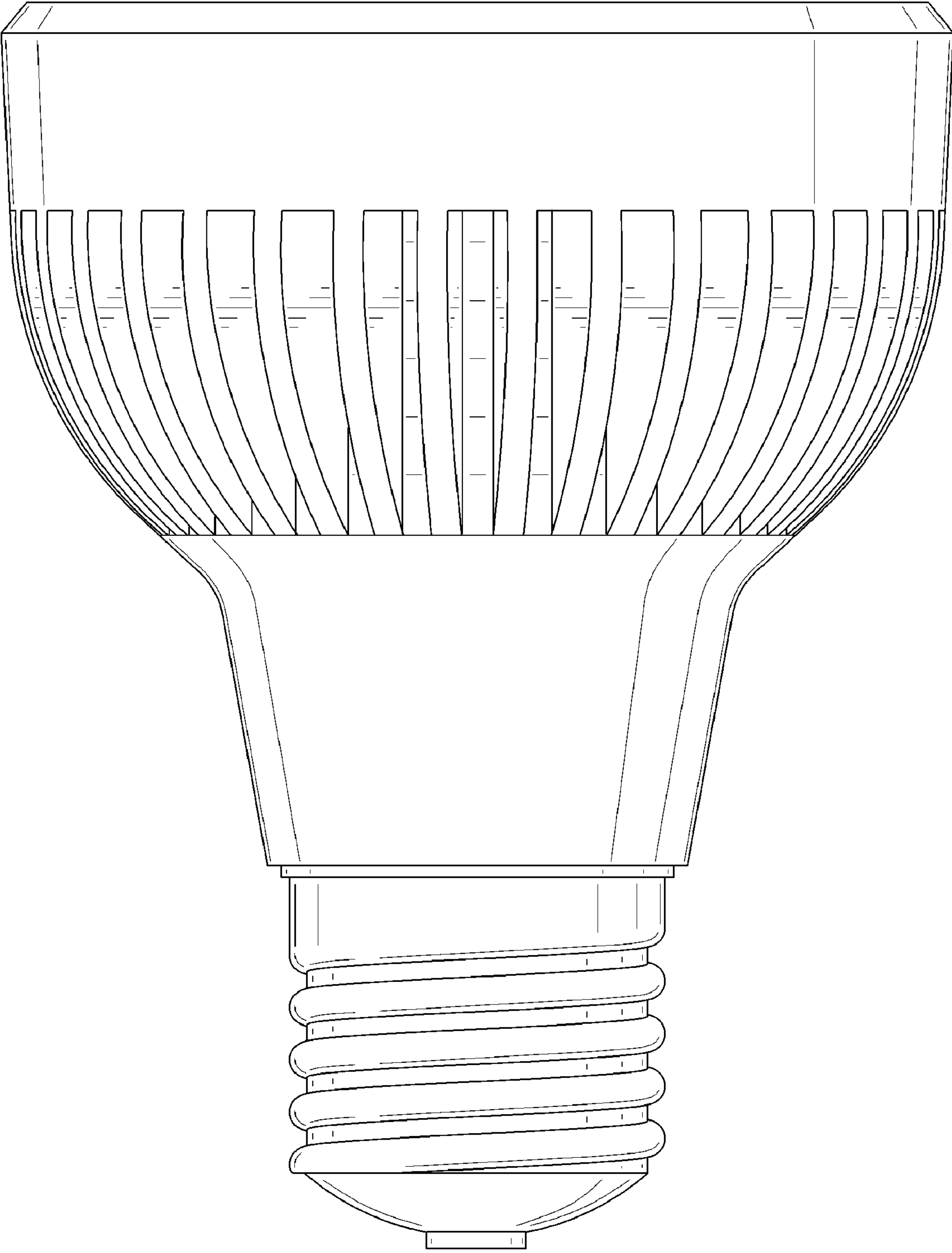


FIG. 3



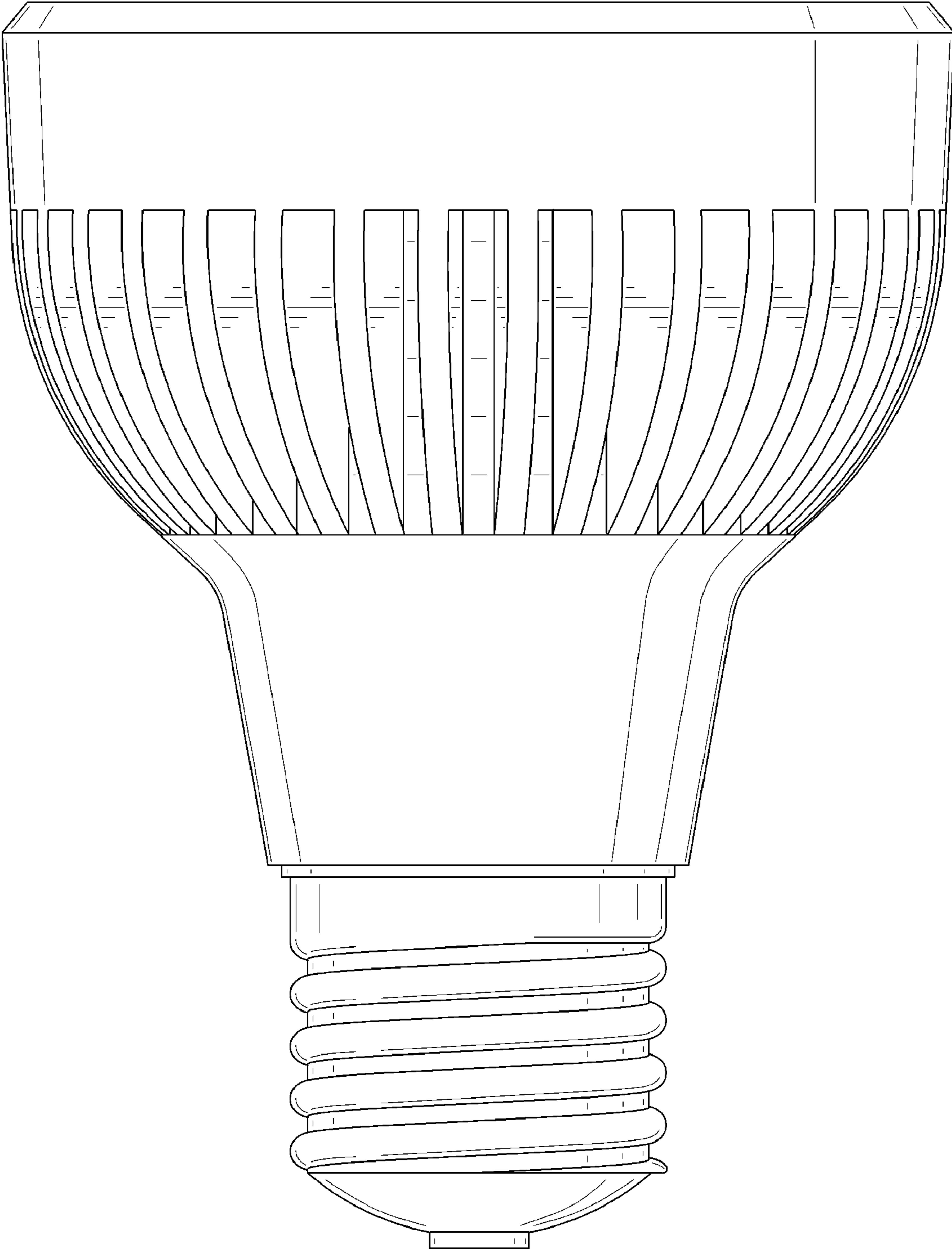


FIG. 4

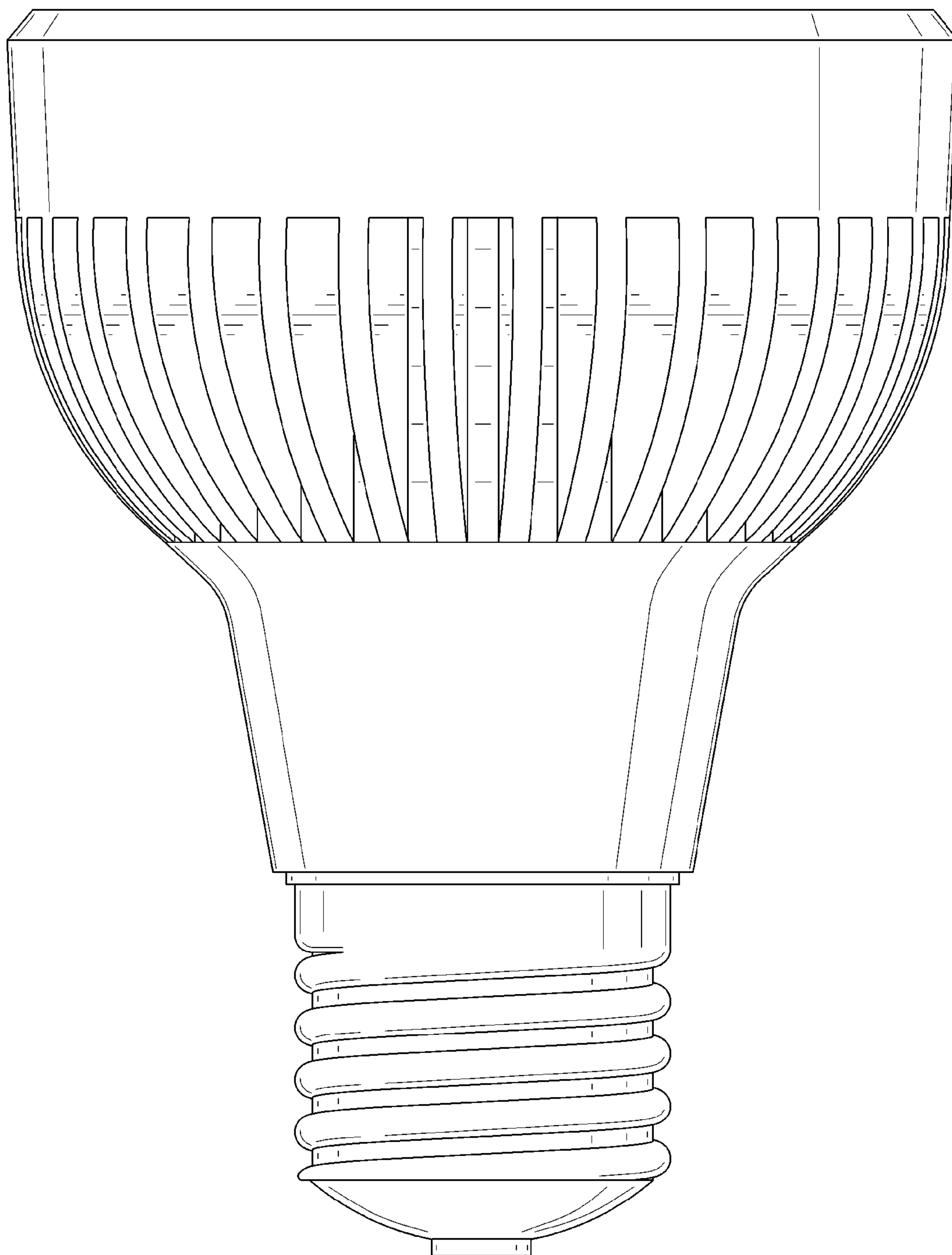


FIG. 5

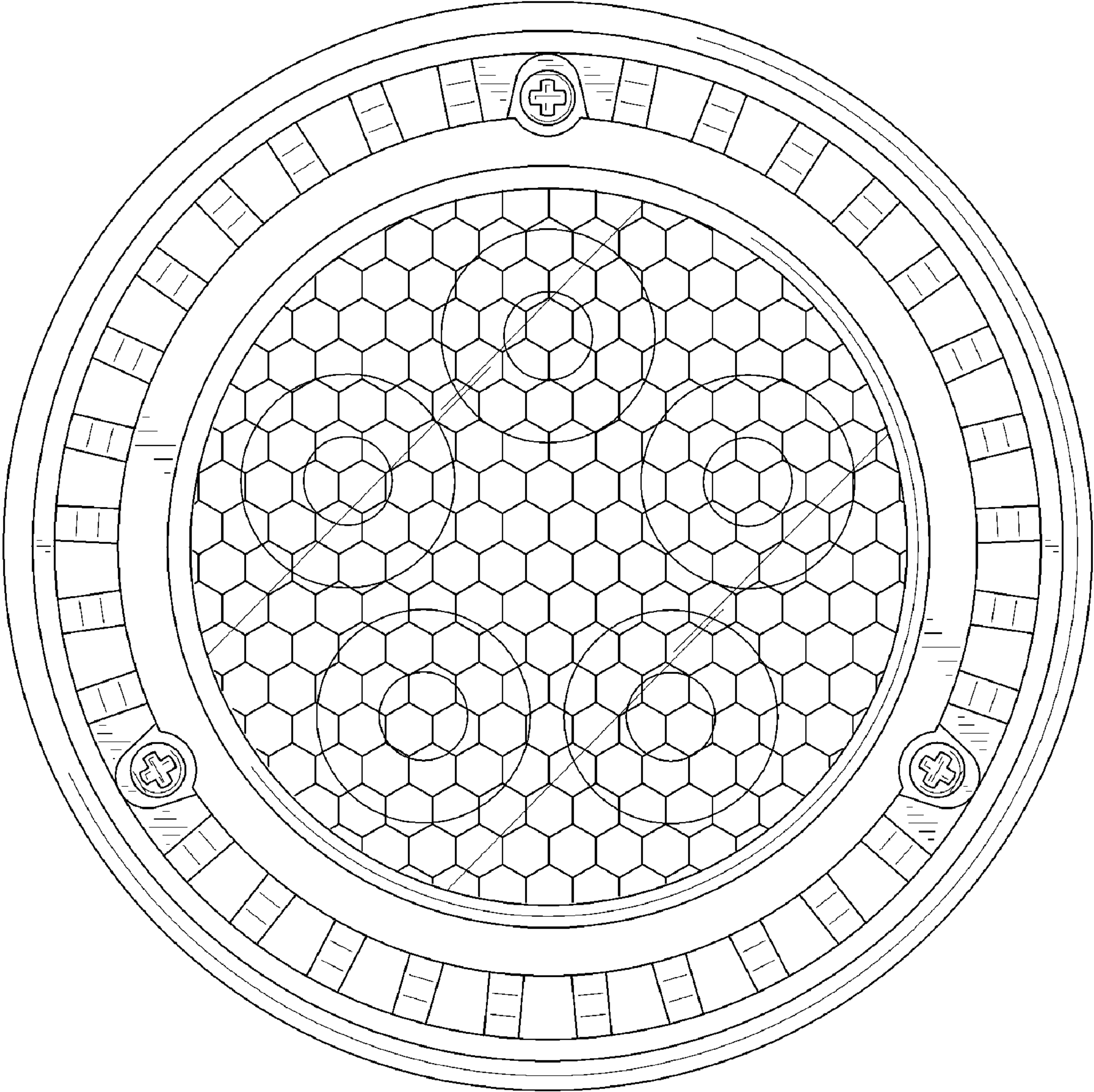


FIG. 6

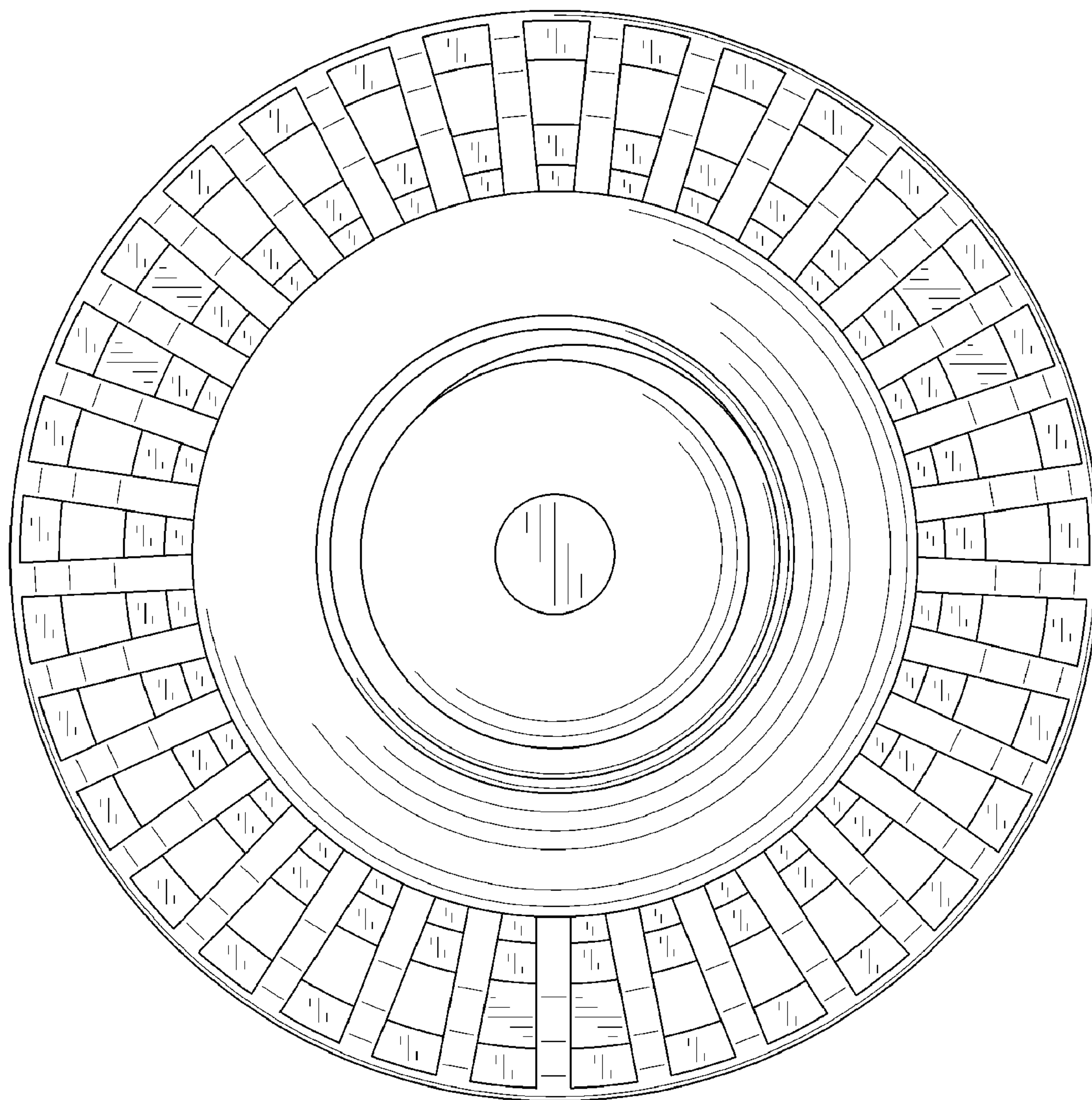


FIG. 7