

US00D628313S

(12) **United States Design Patent**
Wang et al.

(10) **Patent No.:** **US D628,313 S**

(45) **Date of Patent:** **** Nov. 30, 2010**

(54) **HEAD LAMP**

D566,300 S * 4/2008 Lo D26/2
D584,838 S * 1/2009 To et al. D26/2
D610,274 S * 2/2010 Cho D26/2

(75) Inventors: **Wei Wang**, Shenzhen (CN);
Wen-Hsiang Lu, Taipei Hsien (TW);
Chiang-Kuo Tang, Taipei Hsien (TW)

* cited by examiner

(73) Assignee: **Hon Hai Precision Industry Co., Ltd.**,
Tu-Cheng, Taipei Hsien (TW)

Primary Examiner—Marcus A Jackson
(74) *Attorney, Agent, or Firm*—Zhigang Ma

(**) Term: **14 Years**

(57) **CLAIM**

(21) Appl. No.: **29/361,212**

The ornamental design for a head lamp, as shown and described.

(22) Filed: **May 7, 2010**

DESCRIPTION

(51) **LOC (9) Cl.** **26-04**

FIG. 1 is a perspective view of a head lamp showing our new design;

(52) **U.S. Cl.** **D26/2**

FIG. 2 is a front elevational view thereof;

(58) **Field of Classification Search** D26/1-4;
313/313, 315, 316, 317, 318, 493; 315/52,
315/53, 56, 57, 58

FIG. 3 is a rear elevational view thereof;

FIG. 4 is a left side elevational view thereof;

See application file for complete search history.

FIG. 5 is a right side elevational view thereof;

FIG. 6 is a top plan view thereof; and,

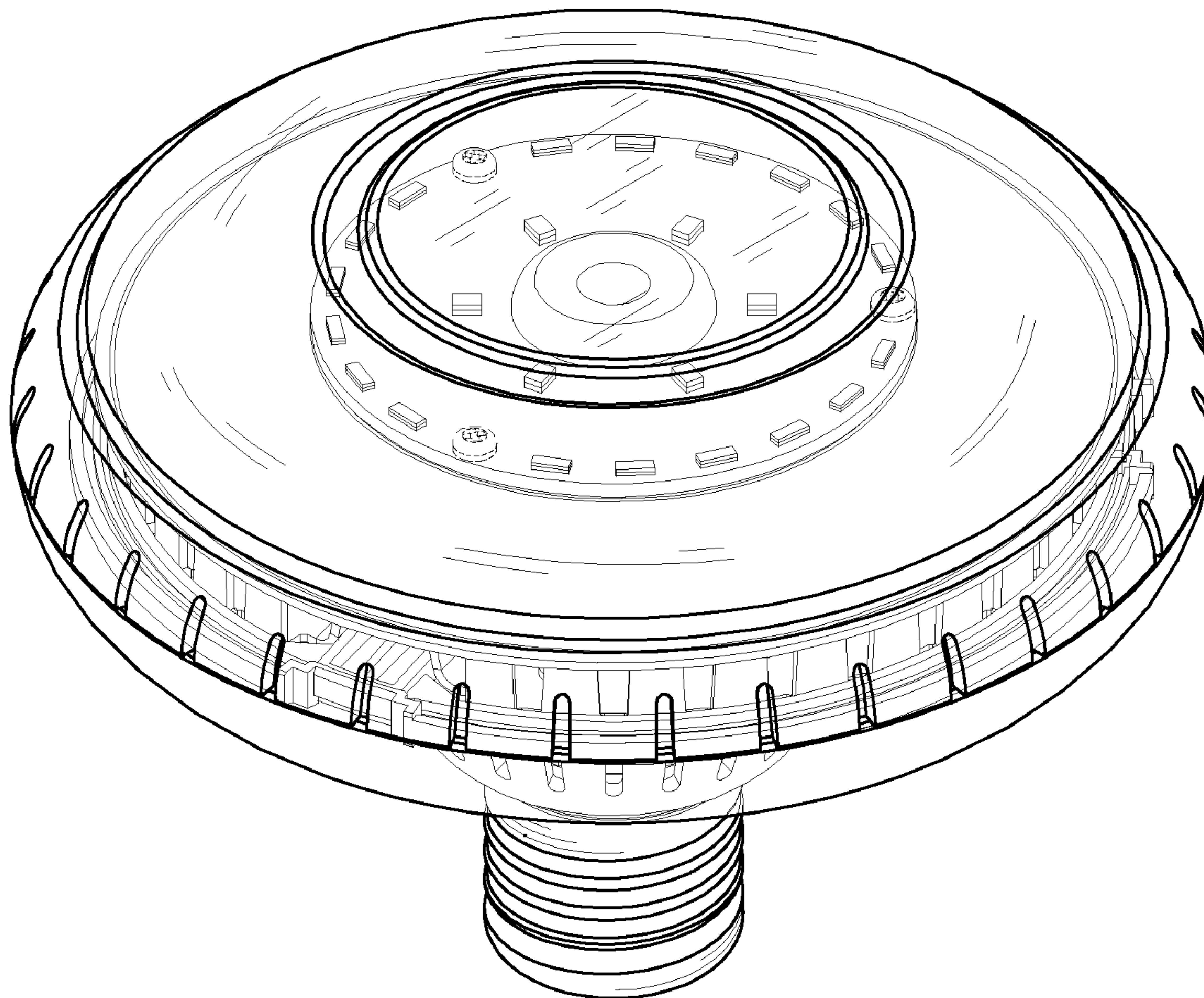
FIG. 7 is a bottom plan view thereof.

(56) **References Cited**

U.S. PATENT DOCUMENTS

D532,532 S * 11/2006 Maxik D26/2

1 Claim, 7 Drawing Sheets



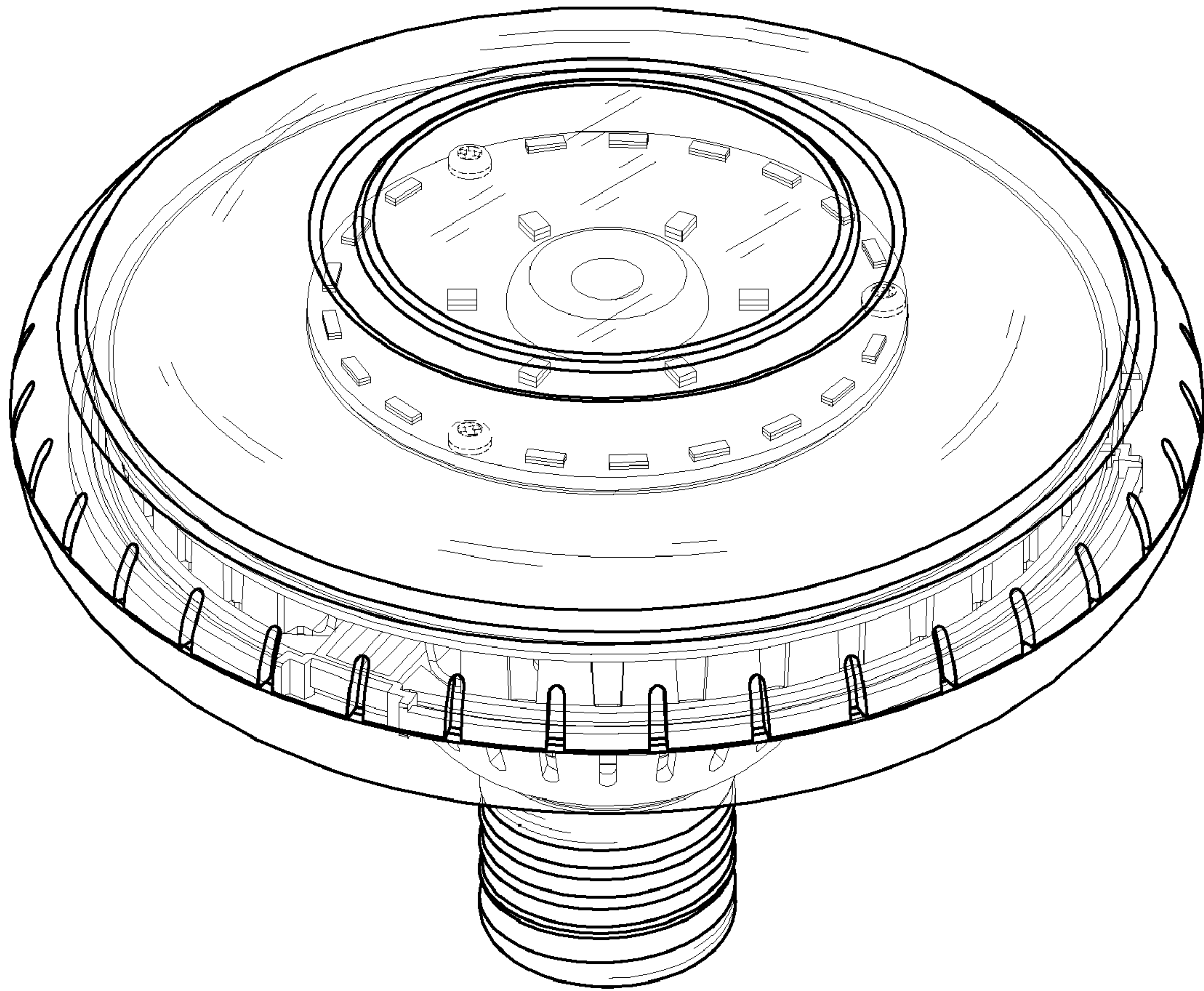


FIG. 1

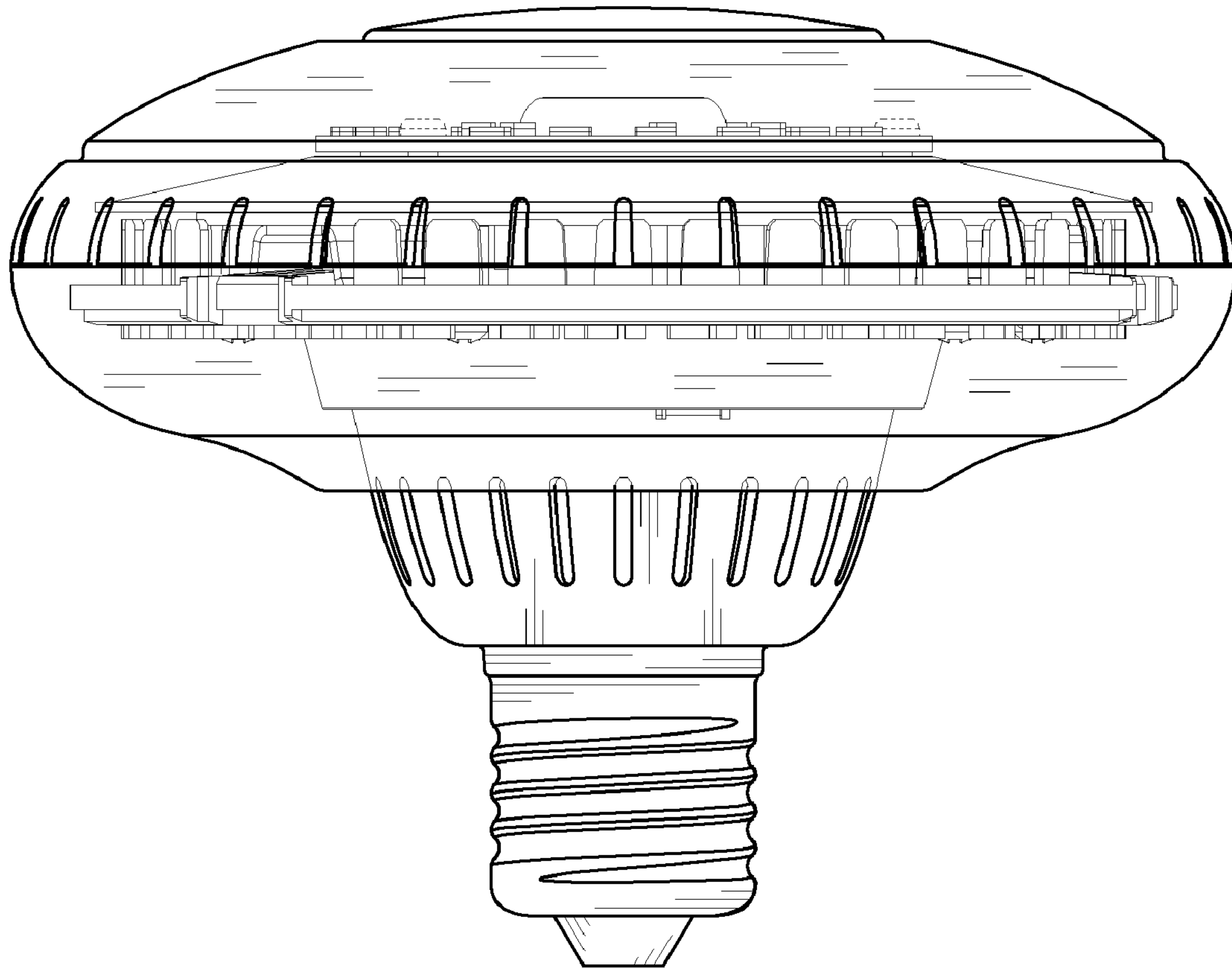


FIG. 2

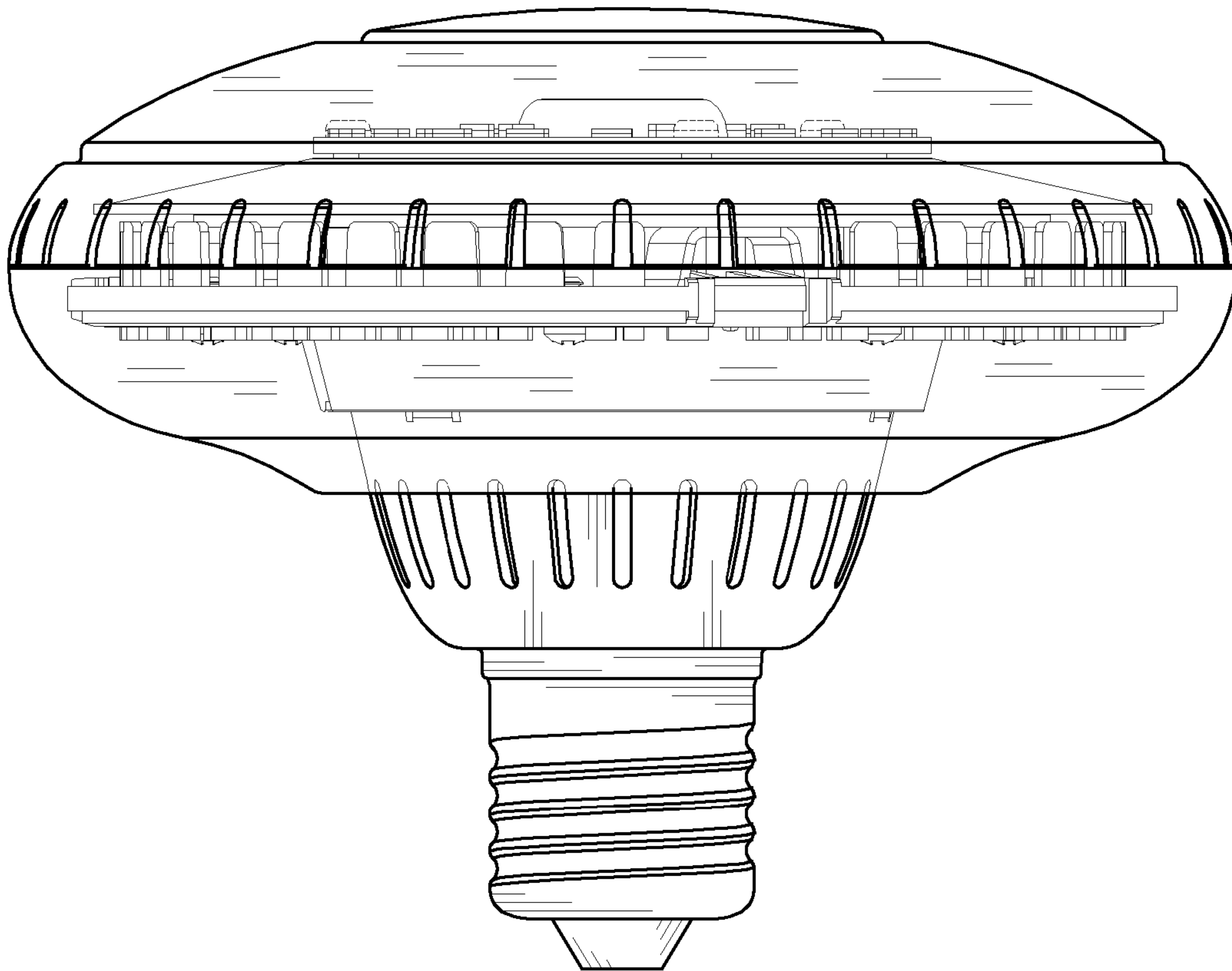


FIG. 3

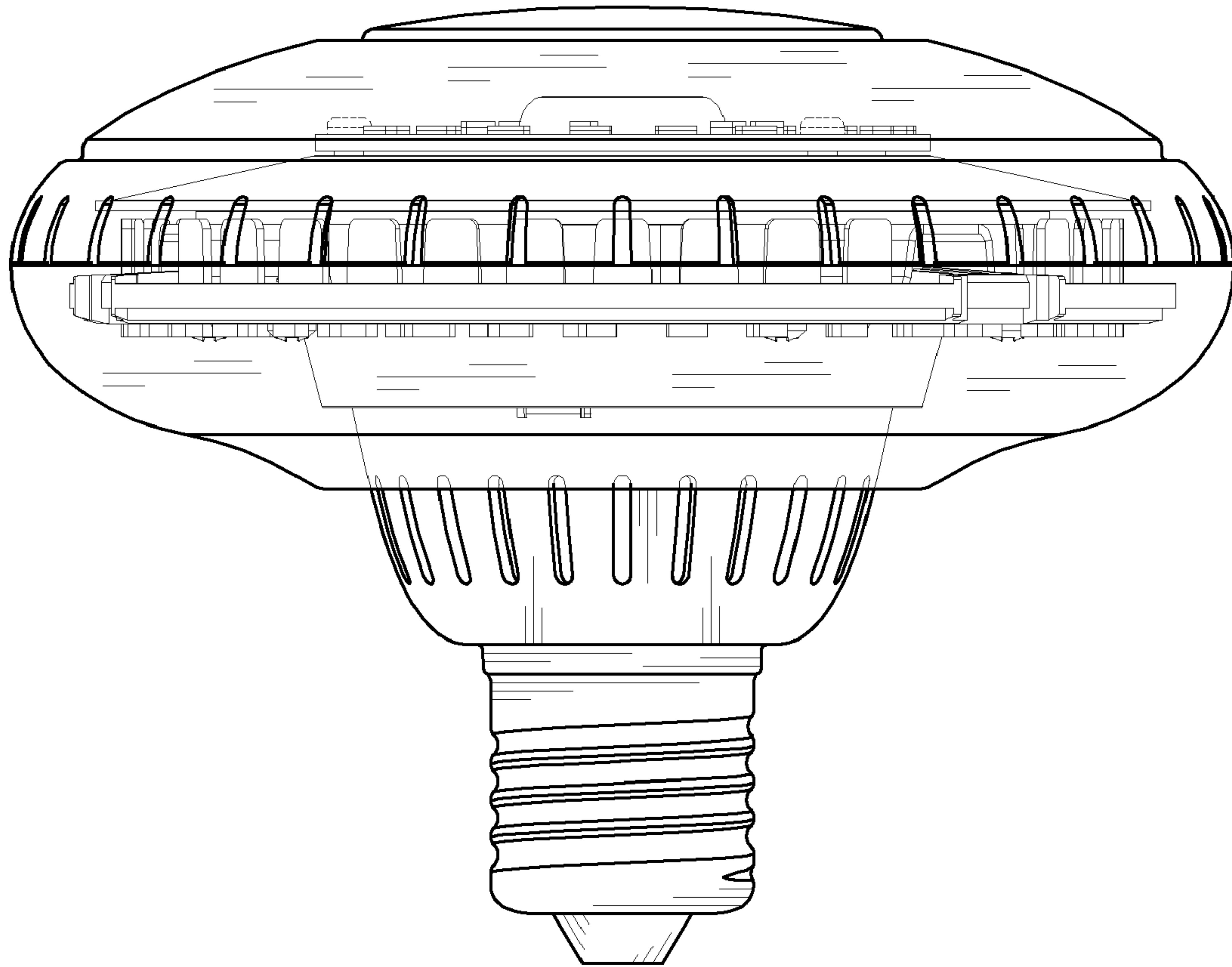


FIG. 4

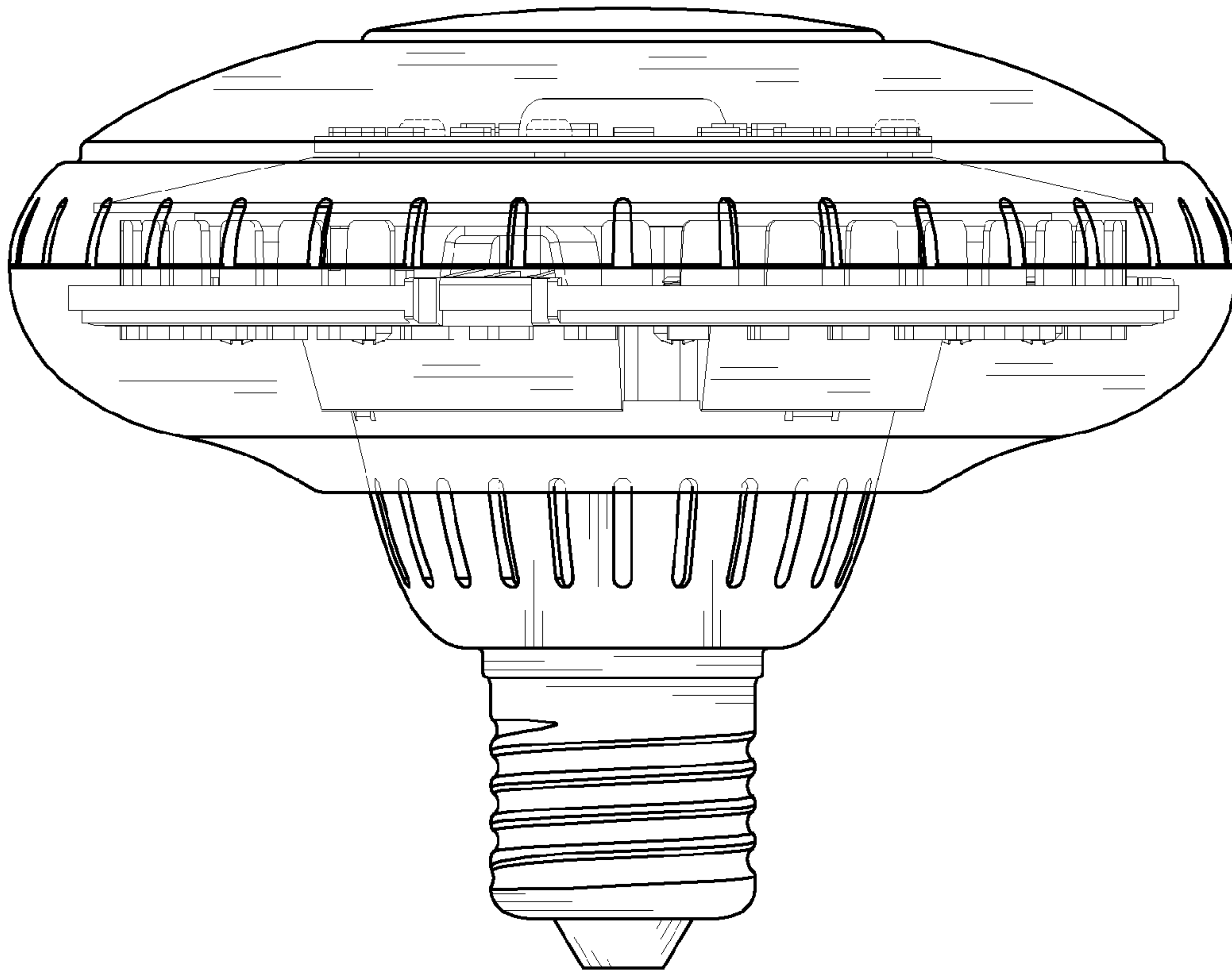


FIG. 5

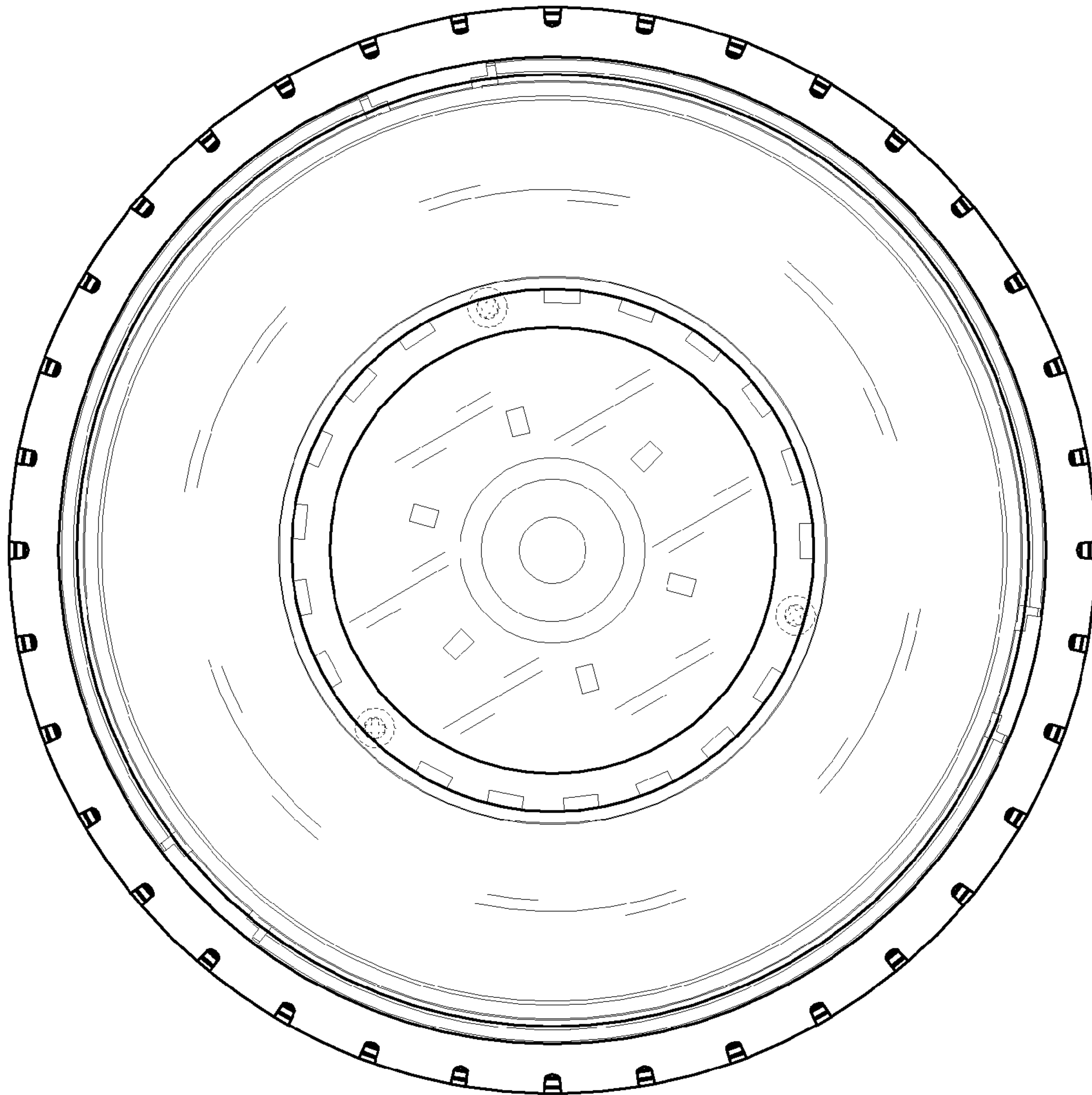


FIG. 6



FIG. 7