



US00D628311S

(12) **United States Design Patent**
Jiang

(10) **Patent No.:** **US D628,311 S**

(45) **Date of Patent:** **** Nov. 30, 2010**

(54) **LED ENERGY-SAVING LAMP**

D605,786 S * 12/2009 Lim D26/2

(75) Inventor: **Zequan Jiang**, Shenzhen (CN)

* cited by examiner

(73) Assignee: **Pepnice Opto-Electronics Science and Technology Co., Ltd.**, Shenzhen (CN)

Primary Examiner—Marcus A Jackson

(74) *Attorney, Agent, or Firm*—Fay Kaplun & Marcin, LLP

(**) Term: **14 Years**

(57) **CLAIM**

(21) Appl. No.: **29/353,789**

The ornamental design for a LED energy-saving lamp, as shown and described.

(22) Filed: **Jan. 14, 2010**

DESCRIPTION

(51) **LOC (9) Cl.** **26-04**

(52) **U.S. Cl.** **D26/2**

(58) **Field of Classification Search** D26/1-4;
313/313, 315, 316, 317, 318, 493; 315/52,
315/53, 56, 57, 58

See application file for complete search history.

FIG. 1 is a top perspective view of a LED energy-saving lamp showing our new design;

FIG. 2 is a front elevation view of the LED energy-saving lamp of FIG. 1 thereof;

FIG. 3 is a top view of the LED energy-saving lamp of FIG. 1 thereof;

FIG. 4 is a bottom view of the LED energy-saving lamp of FIG. 1 thereof;

FIG. 5 is a right side view of the LED energy-saving lamp of FIG. 1 thereof; and,

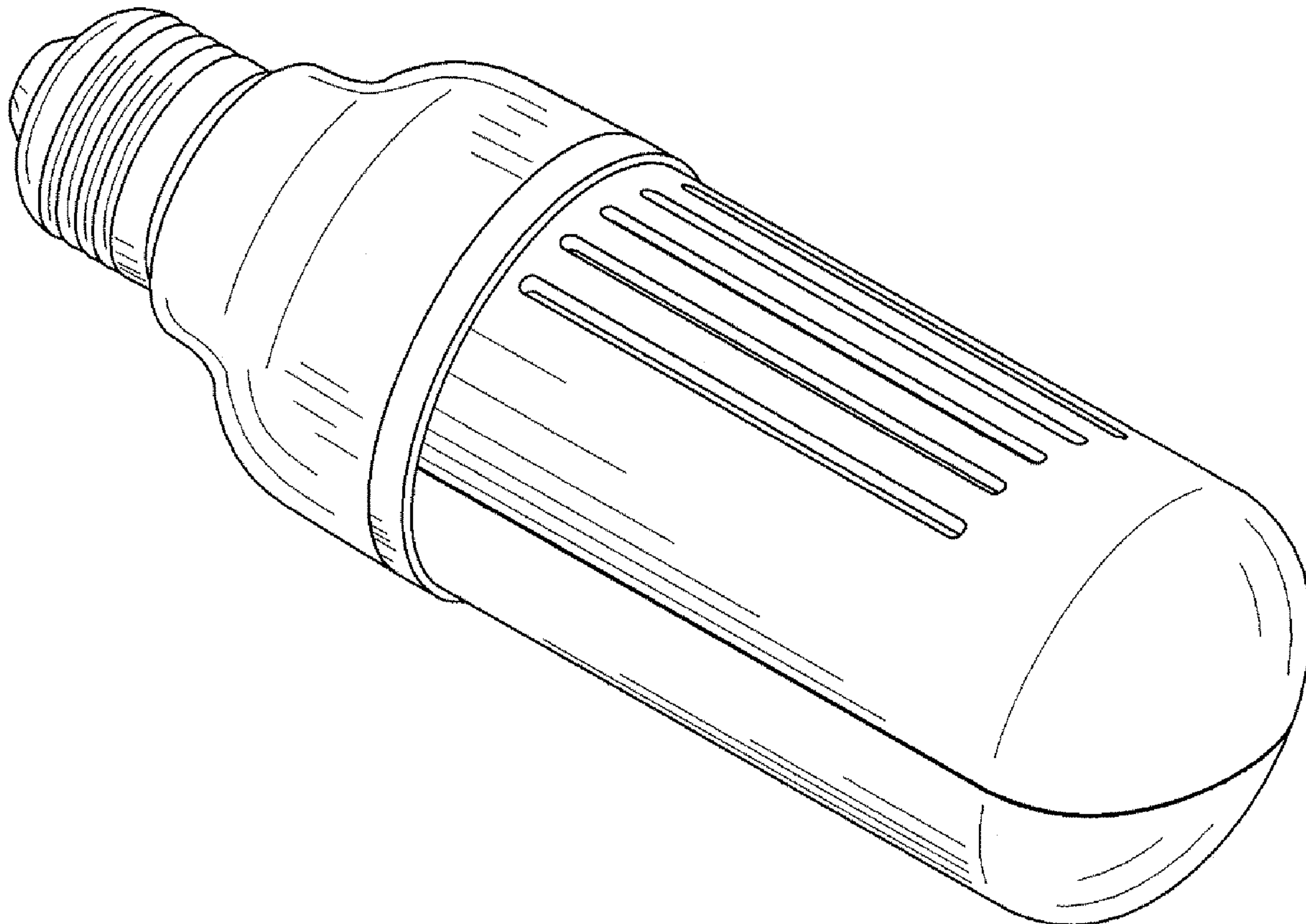
FIG. 6 is a left side view of the LED energy-saving lamp of FIG. 1 thereof.

(56) **References Cited**

U.S. PATENT DOCUMENTS

D499,820 S *	12/2004	Foo	D26/2
D508,575 S *	8/2005	Buschmann et al.	D26/2
D528,673 S *	9/2006	Maxik et al.	D26/2
D534,665 S *	1/2007	Egawa et al.	D26/2
D549,854 S *	8/2007	Takahashi	D26/2
D574,091 S *	7/2008	Sun	D26/2
D589,175 S *	3/2009	Xue	D26/2

1 Claim, 5 Drawing Sheets



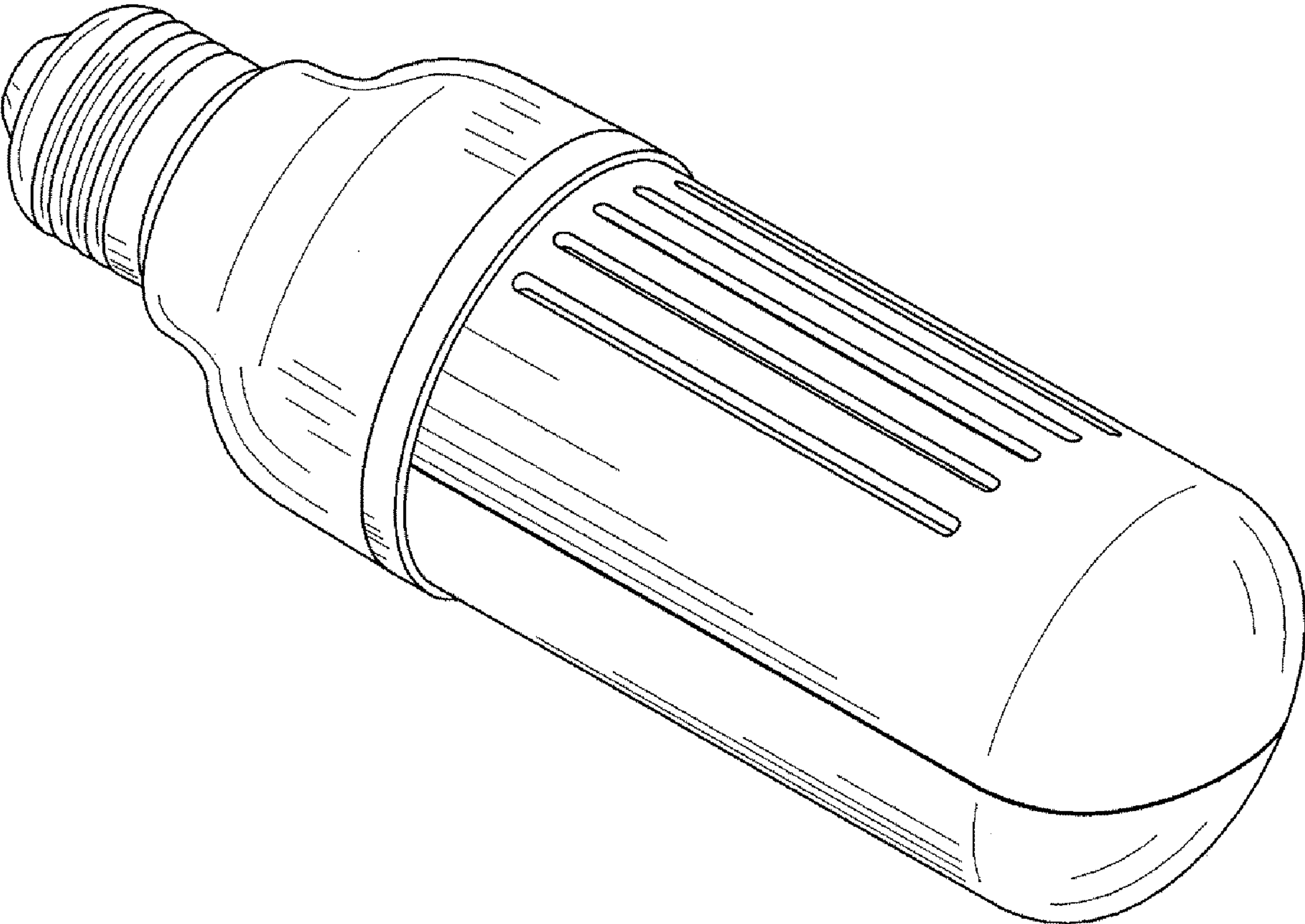


FIG. 1

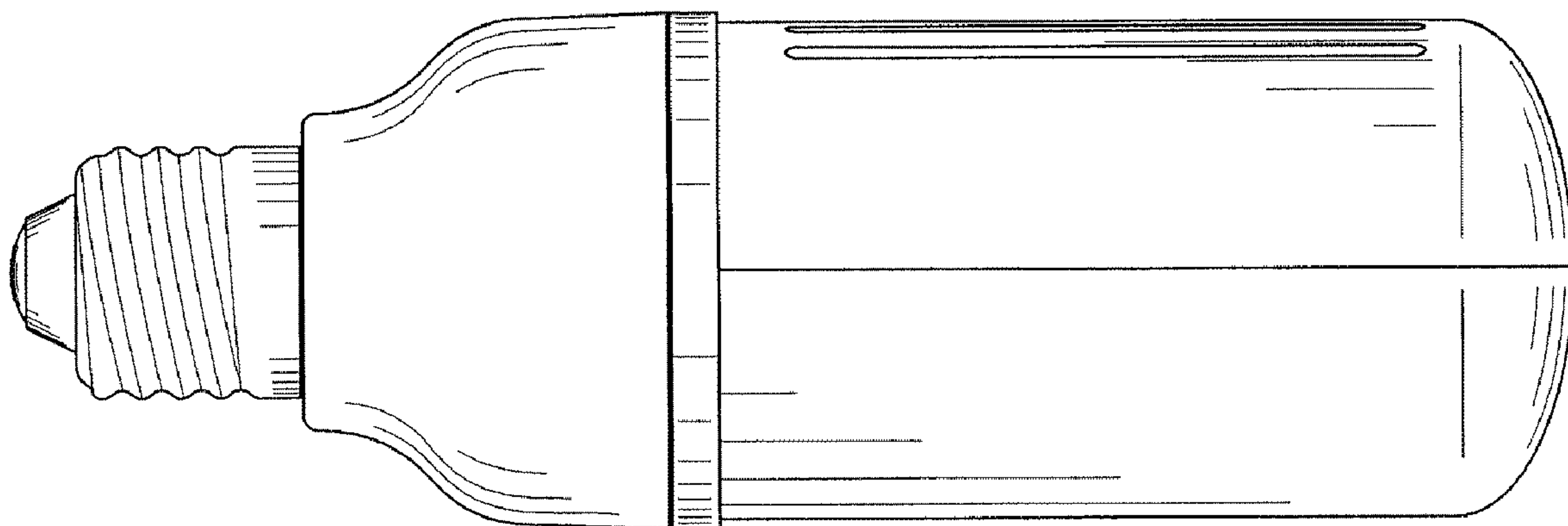


FIG. 2

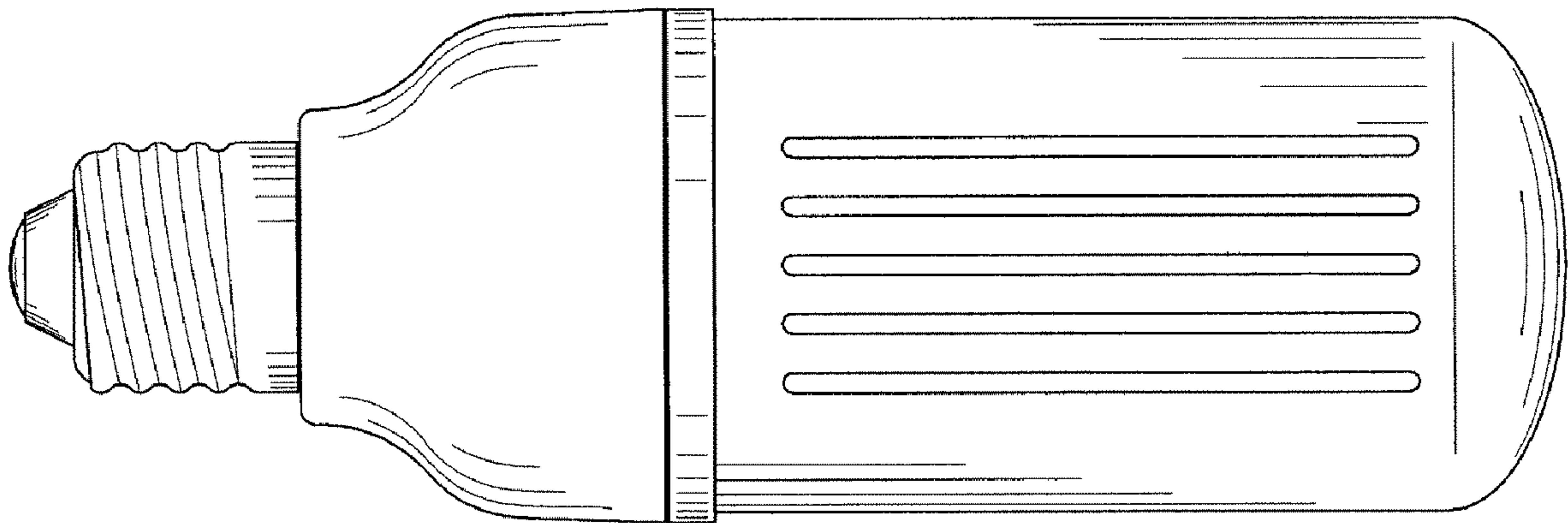


FIG. 3

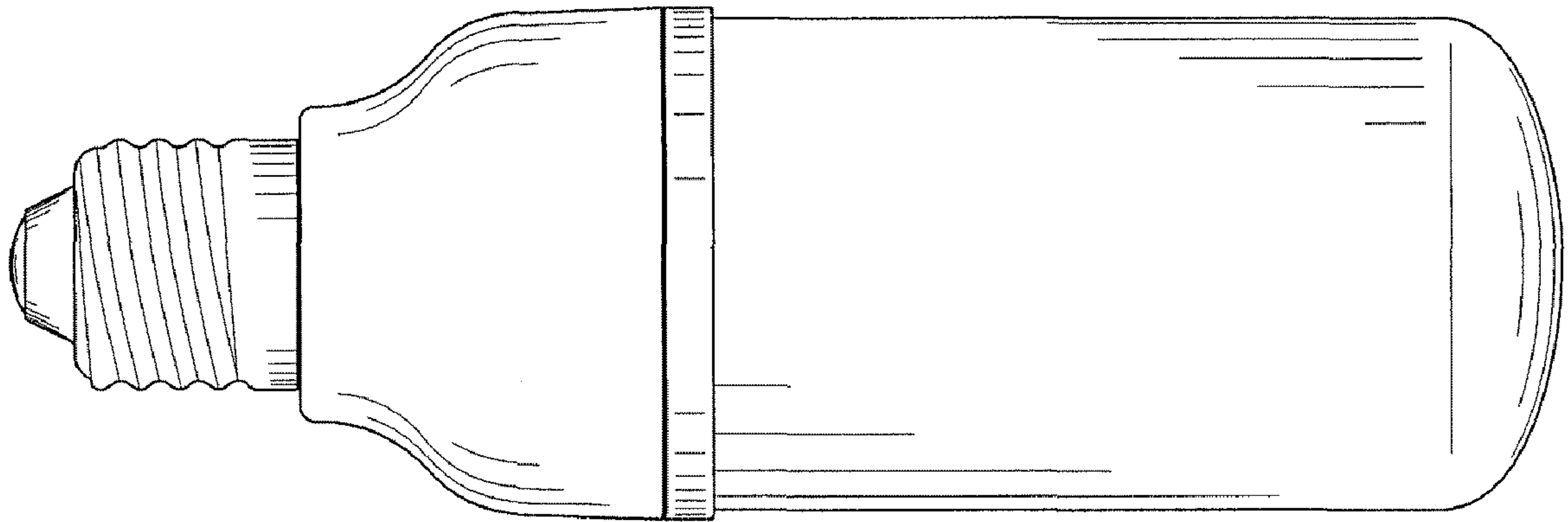


FIG. 4

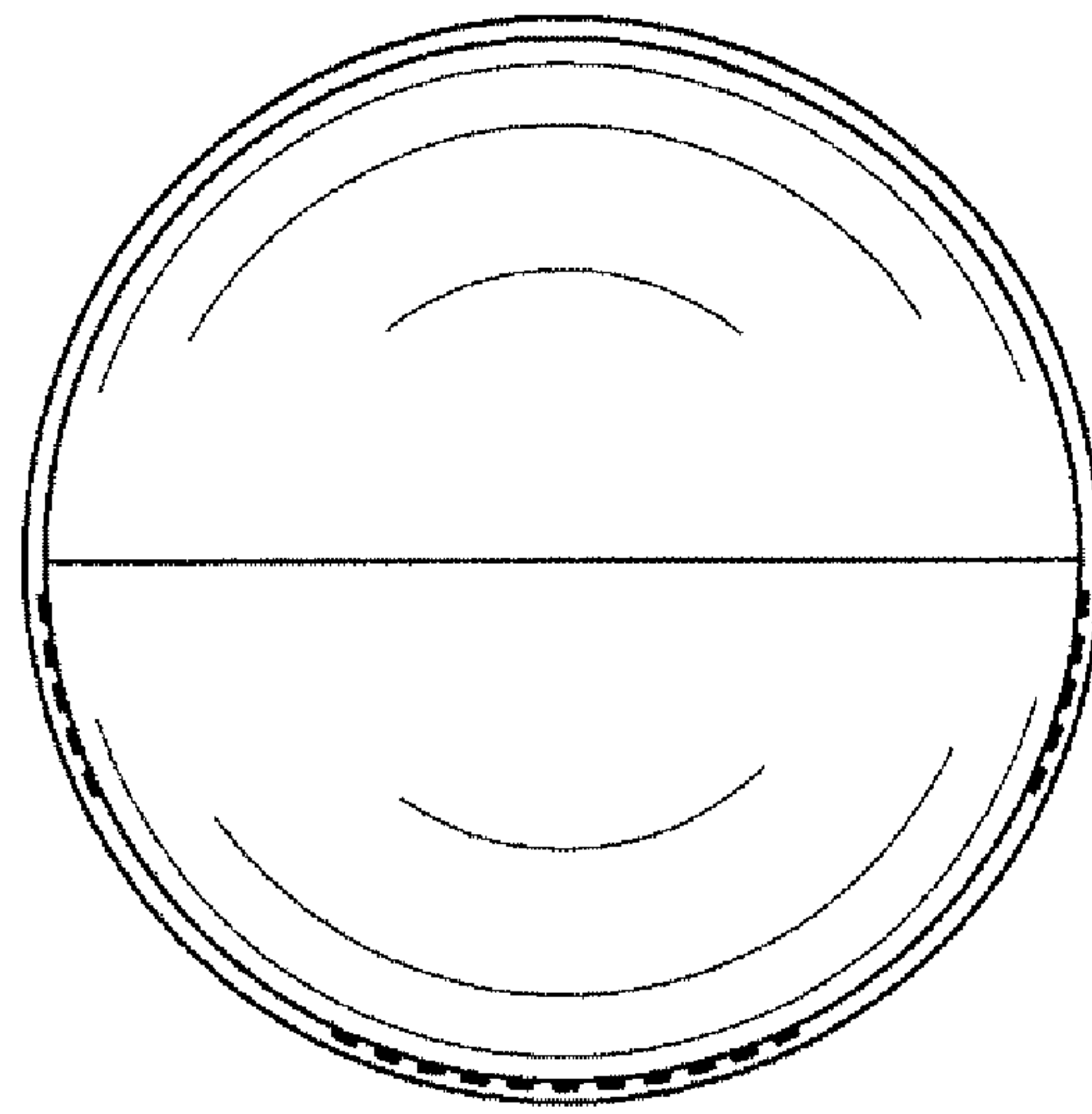


FIG. 5

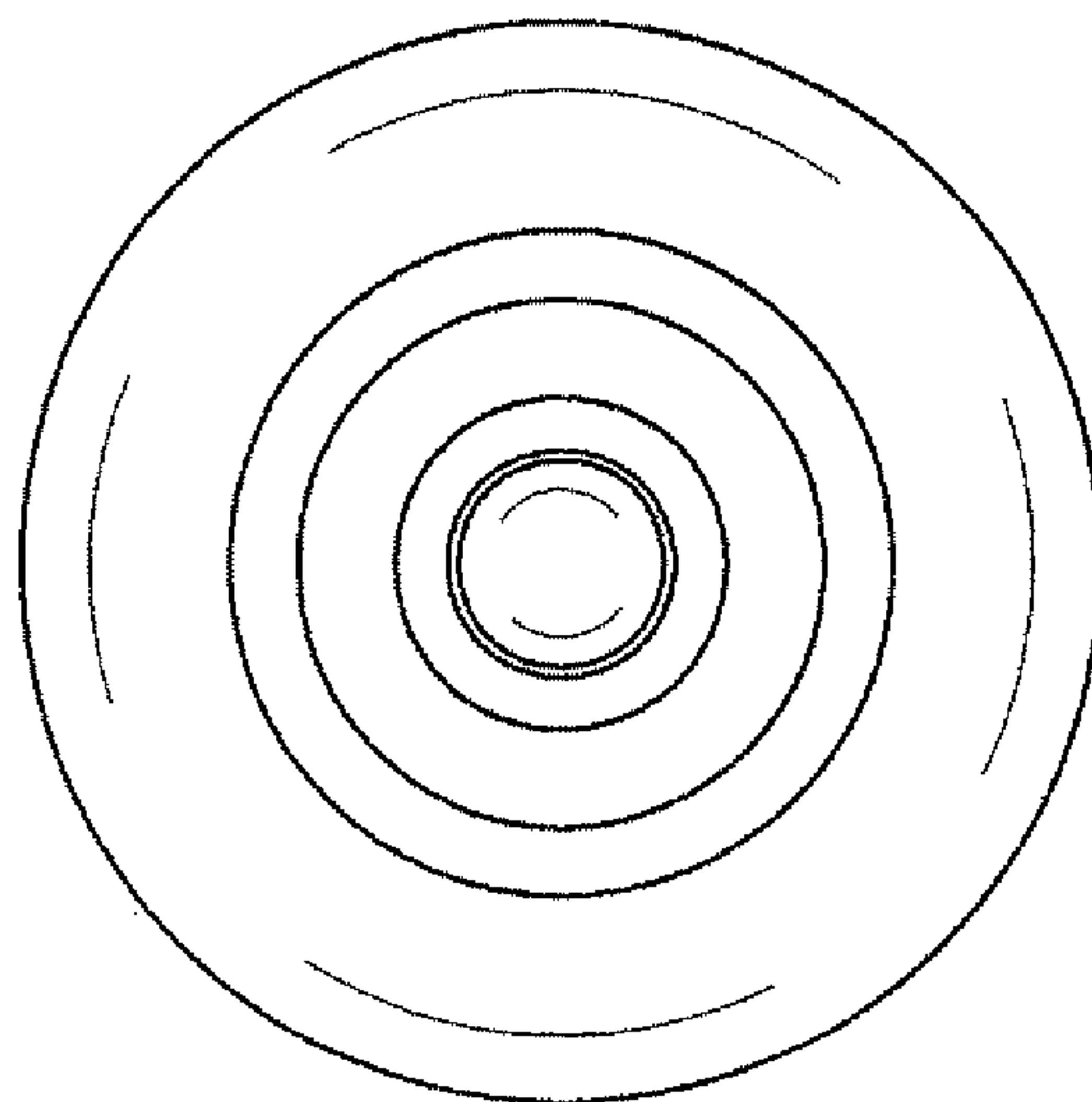


FIG. 6