



US00D628301S

(12) **United States Design Patent**
Olshansky

(10) **Patent No.:** **US D628,301 S**

(45) **Date of Patent:** **** Nov. 30, 2010**

(54) **NIPPLE SHIELD CASE**

(76) Inventor: **Ariane Olshansky**, 58 Spruce Ave., San Anselmo, CA (US) 94960

(**) Term: **14 Years**

(21) Appl. No.: **29/357,610**

(22) Filed: **Mar. 15, 2010**

(51) **LOC (9) Cl.** **24-04**

(52) **U.S. Cl.** **D24/194**

(58) **Field of Classification Search** D3/201,
D3/269, 270, 271.1, 273, 280, 294, 318, 323;
D24/155, 199, 193, 194, 195, 196; 128/890;
190/121; 215/11.6; 223/84

See application file for complete search history.

(56) **References Cited**

U.S. PATENT DOCUMENTS

2,364,866	A *	12/1944	Meynier, Jr.	128/890
2,495,307	A *	1/1950	Abramson	128/890
3,289,874	A *	12/1966	Dailey et al.	215/11.6
D264,993	S *	6/1982	Kestenberg	D24/198
5,032,103	A *	7/1991	Larsson	450/37
D346,656	S *	5/1994	Rosen	D24/155
D384,414	S *	9/1997	Pernarella	D24/155
5,732,714	A *	3/1998	Morrissey et al.	128/846
D395,754	S *	7/1998	Sautter et al.	D3/294
5,823,328	A *	10/1998	Fomby	206/8
D452,373	S *	12/2001	Horntrich	D3/294
6,968,964	B2 *	11/2005	Gilmore	215/11.1
D540,663	S *	4/2007	Tanner	D9/600
7,252,573	B2 *	8/2007	Mann	450/1
D569,618	S *	5/2008	Kirk	D3/291
D584,399	S *	1/2009	Pacini	D24/109
D598,117	S *	8/2009	Yamashita et al.	D24/190
D610,458	S *	2/2010	Martin	D9/500
7,661,546	B2 *	2/2010	Jiang	215/11.1
7,743,953	B2 *	6/2010	Okazaki et al.	223/84
2003/0093121	A1 *	5/2003	Randolph	606/236
2004/0256345	A1 *	12/2004	Lundquist	215/11.5

2009/0078725 A1* 3/2009 Phan 223/84
2009/0211926 A1* 8/2009 Wang 206/15.3

* cited by examiner

Primary Examiner—Elizabeth A Albert

Assistant Examiner—Karen E Eldridge Powers

(74) *Attorney, Agent, or Firm*—Steven A. Nielsen

(57) **CLAIM**

The ornamental design for my nipple shield case, as shown and described.

DESCRIPTION

FIG. 1 is a front perspective view, in an open position, of a nipple shield case showing my new design;

FIG. 2 is a front perspective view, in a closed position thereof;

FIG. 3 is a front/bottom perspective view thereof;

FIG. 4 is a front elevation view thereof;

FIG. 5 is a side elevation view thereof;

FIG. 6 is a bottom plan view thereof;

FIG. 7 is a top plan view thereof;

FIG. 8 is a front elevation view of the lid of the nipple shield case of FIGS. 1-7, shown separately for clarity;

FIG. 9 is a sectional view taken along Line 9—9 in FIG. 8;

FIG. 10 is a bottom plan view of the lid of FIG. 8;

FIG. 11 is a side perspective view of the base of the nipple shield case of FIGS. 1-7, shown separately for clarity;

FIG. 12 is a bottom perspective view thereof;

FIG. 13 is a top plan view thereof;

FIG. 14 is side elevation view thereof;

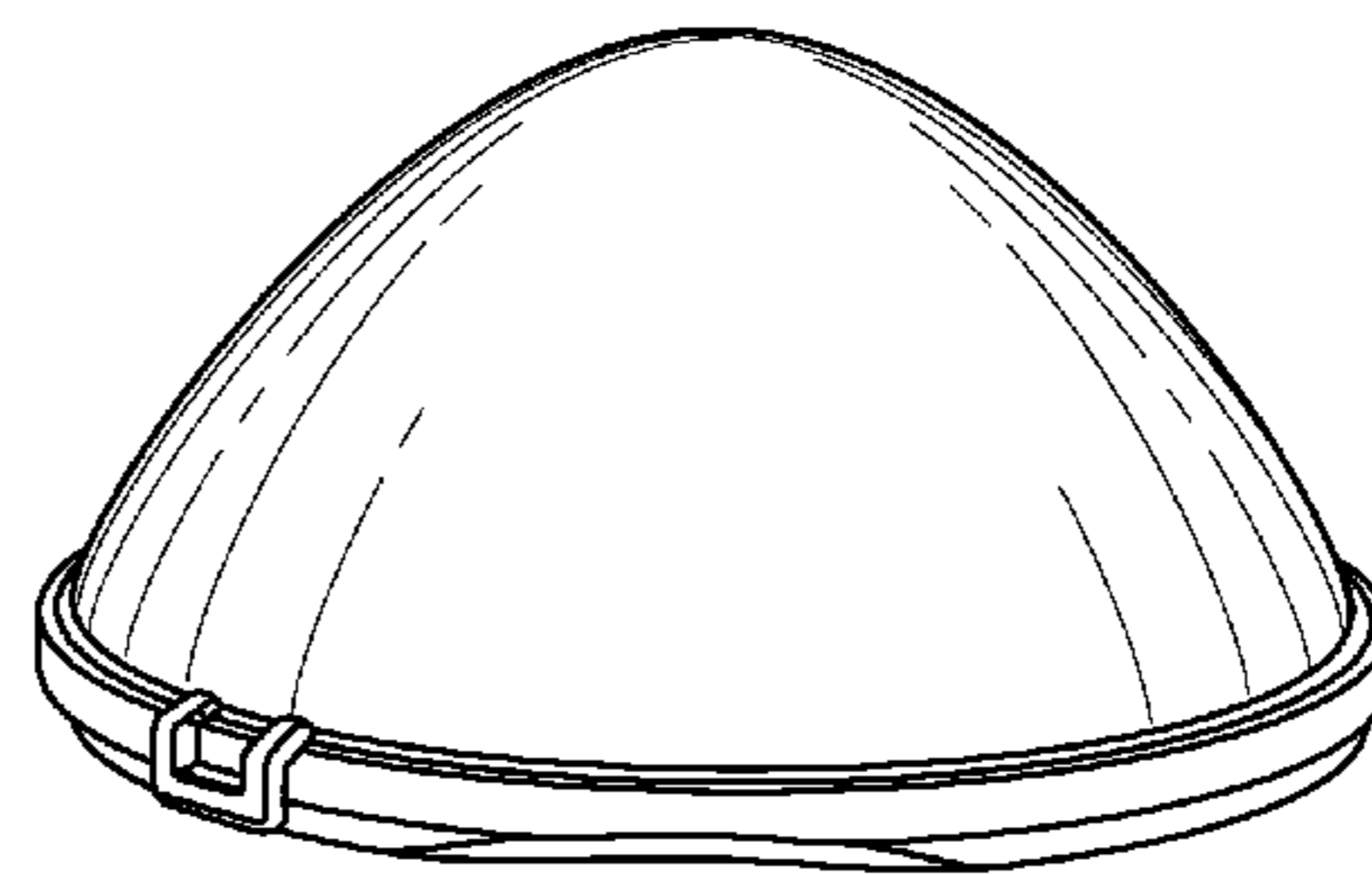
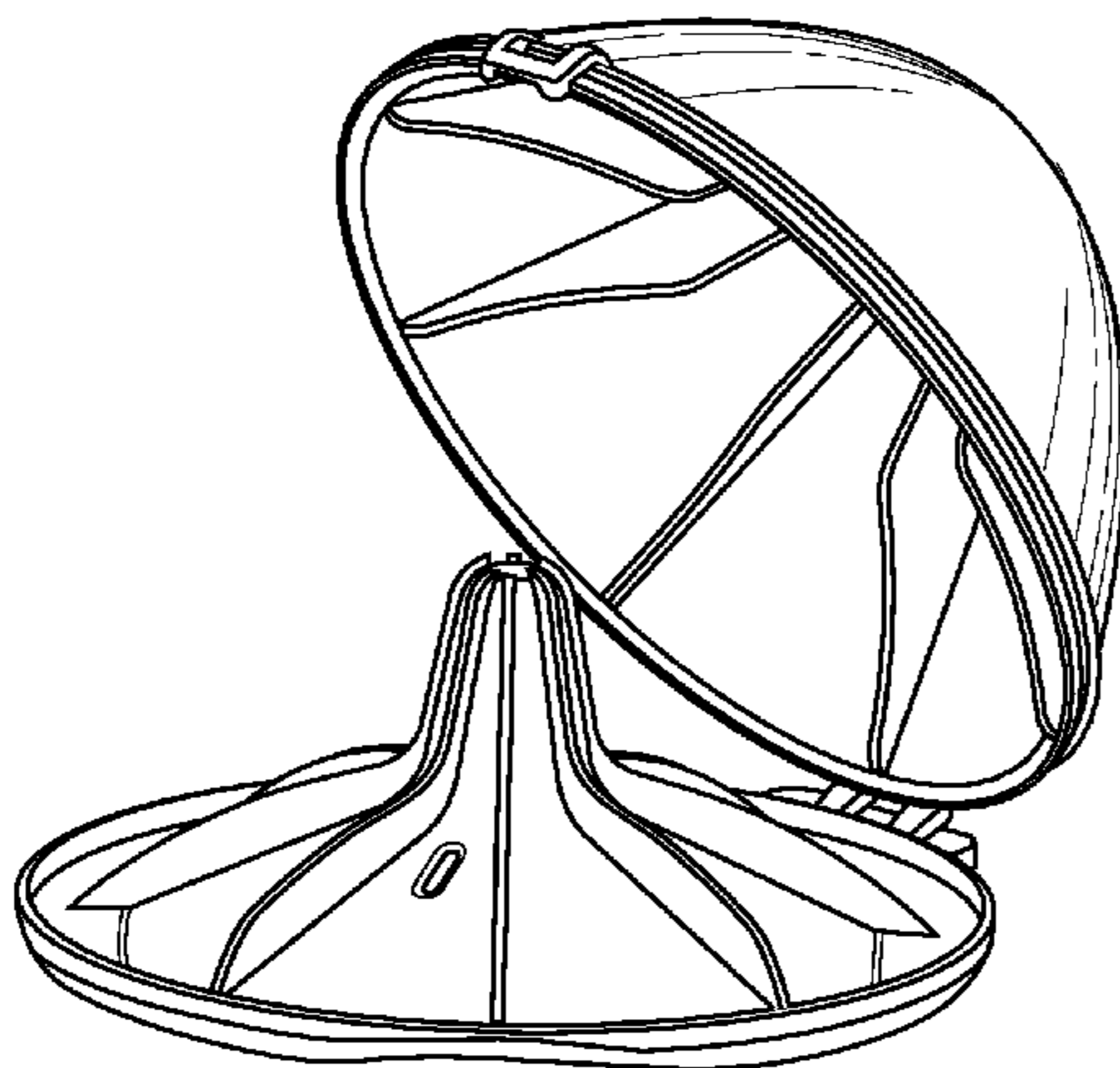
FIG. 15 is a bottom plan view thereof;

FIG. 16 is a sectional view taken along Line 16—16 in FIG. 15;

FIG. 17 is a front perspective view of the lid of the nipple shield case of FIGS. 1-7, shown separately for clarity; and,

FIG. 18 is a bottom perspective view thereof.

1 Claim, 6 Drawing Sheets



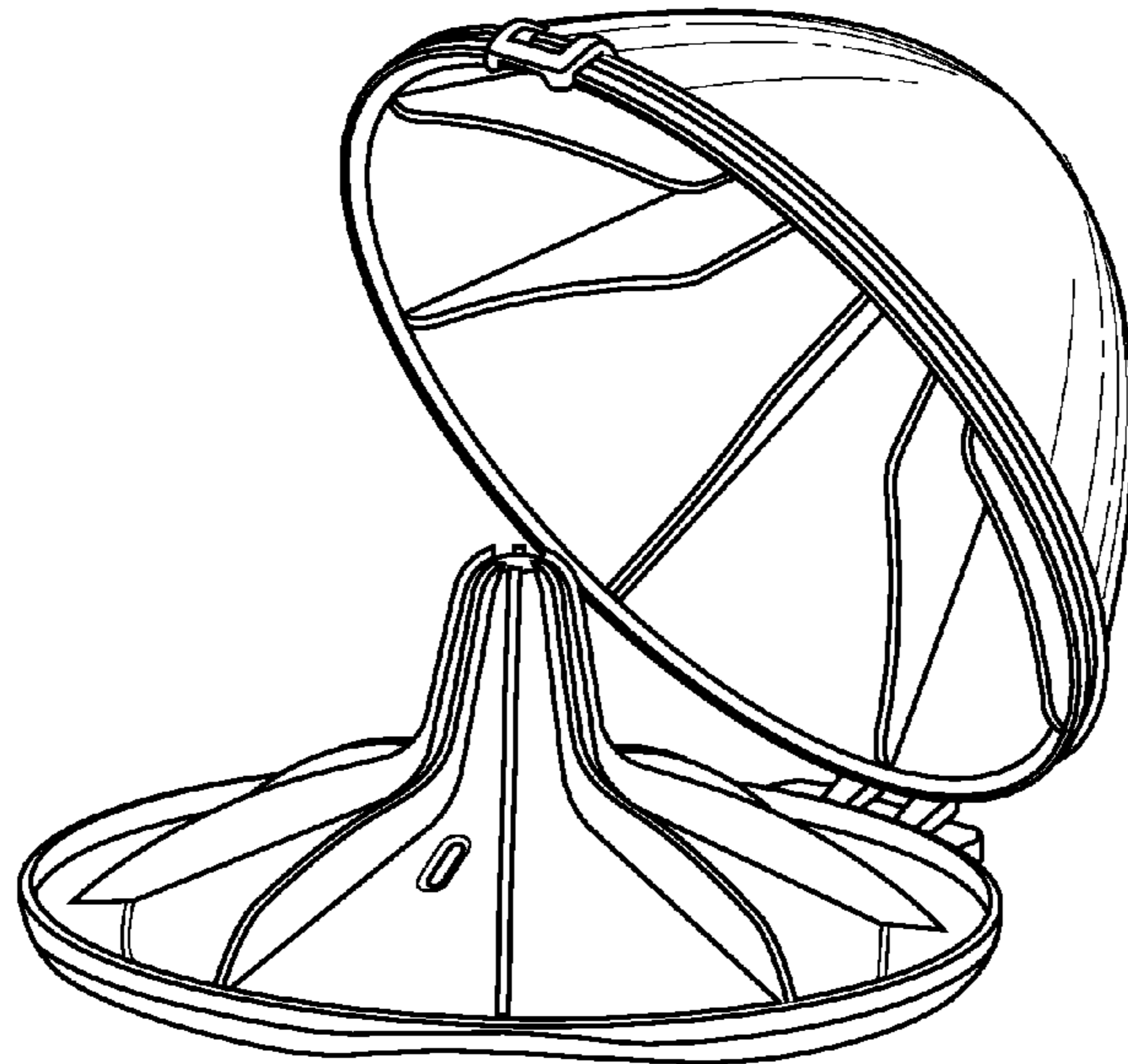


Fig. 1

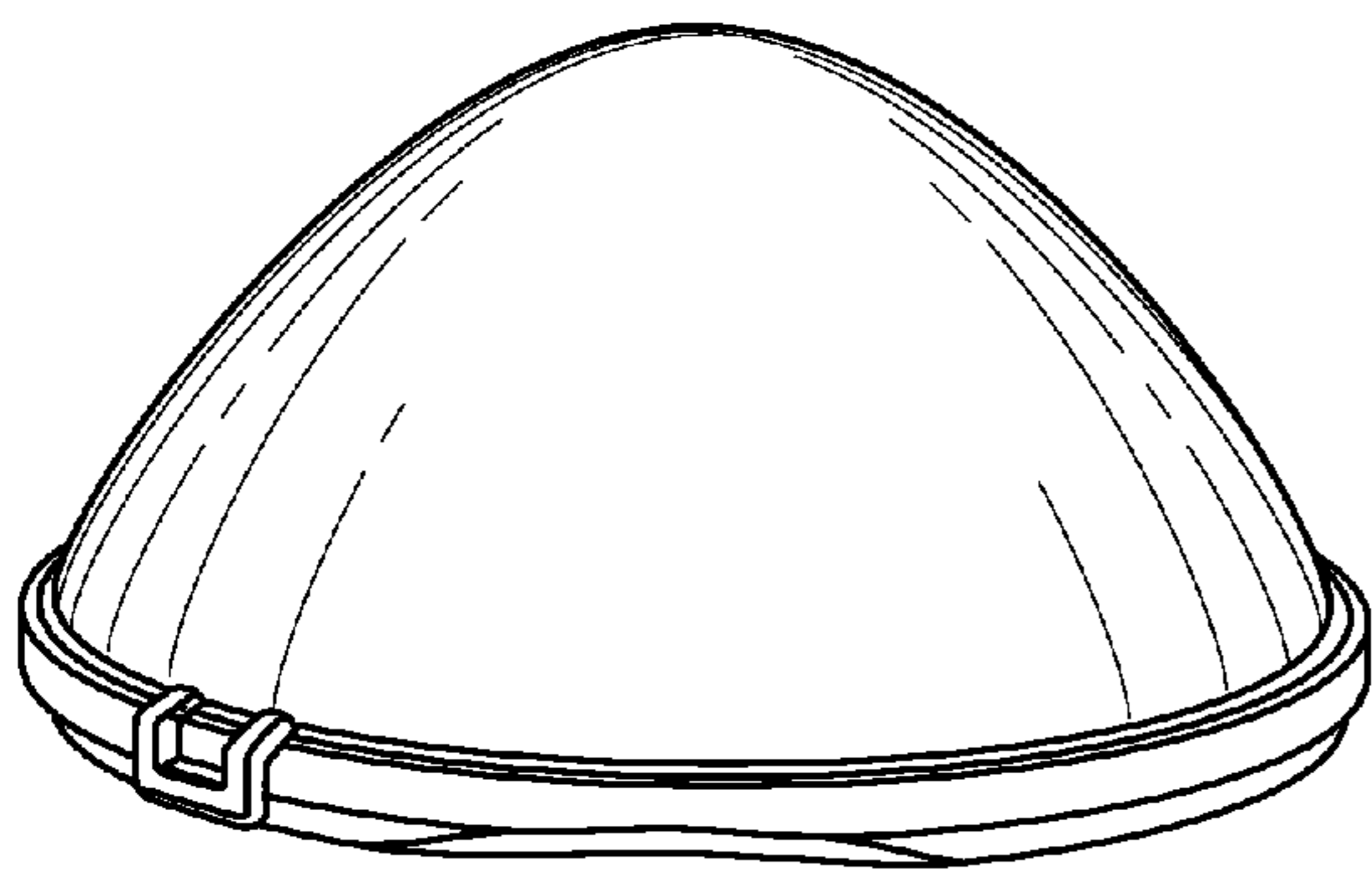


Fig. 2

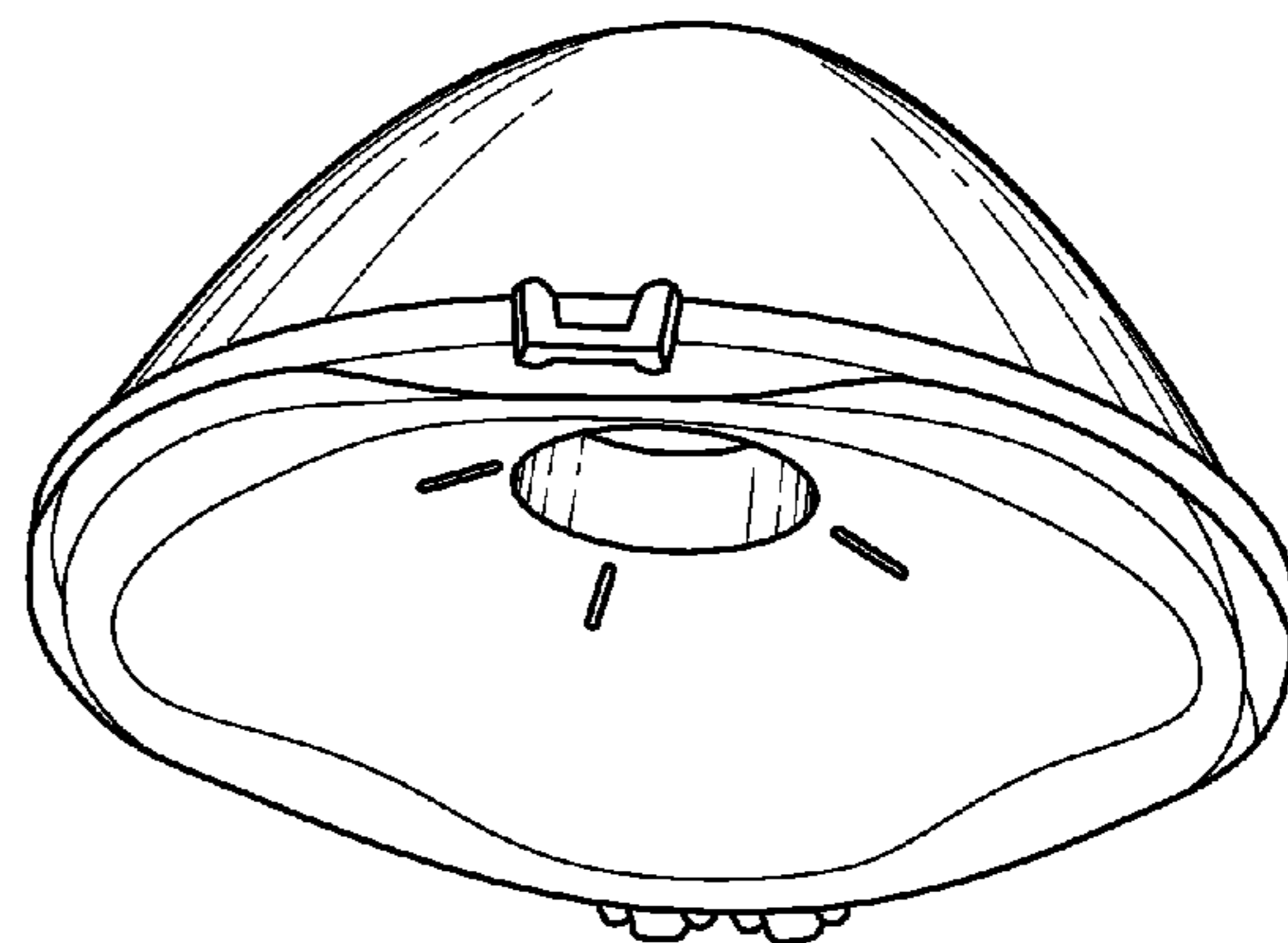


Fig. 3

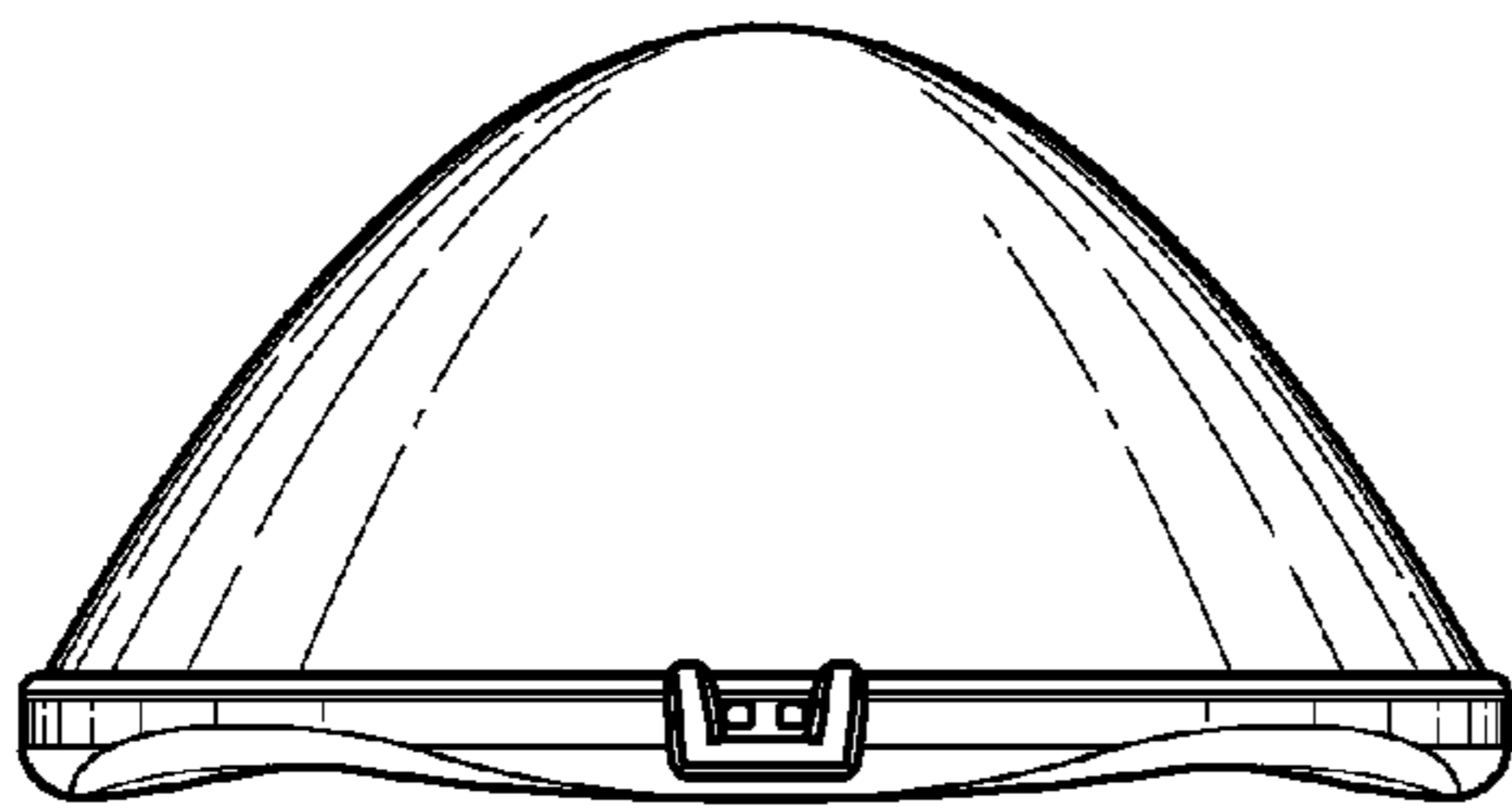


Fig. 4

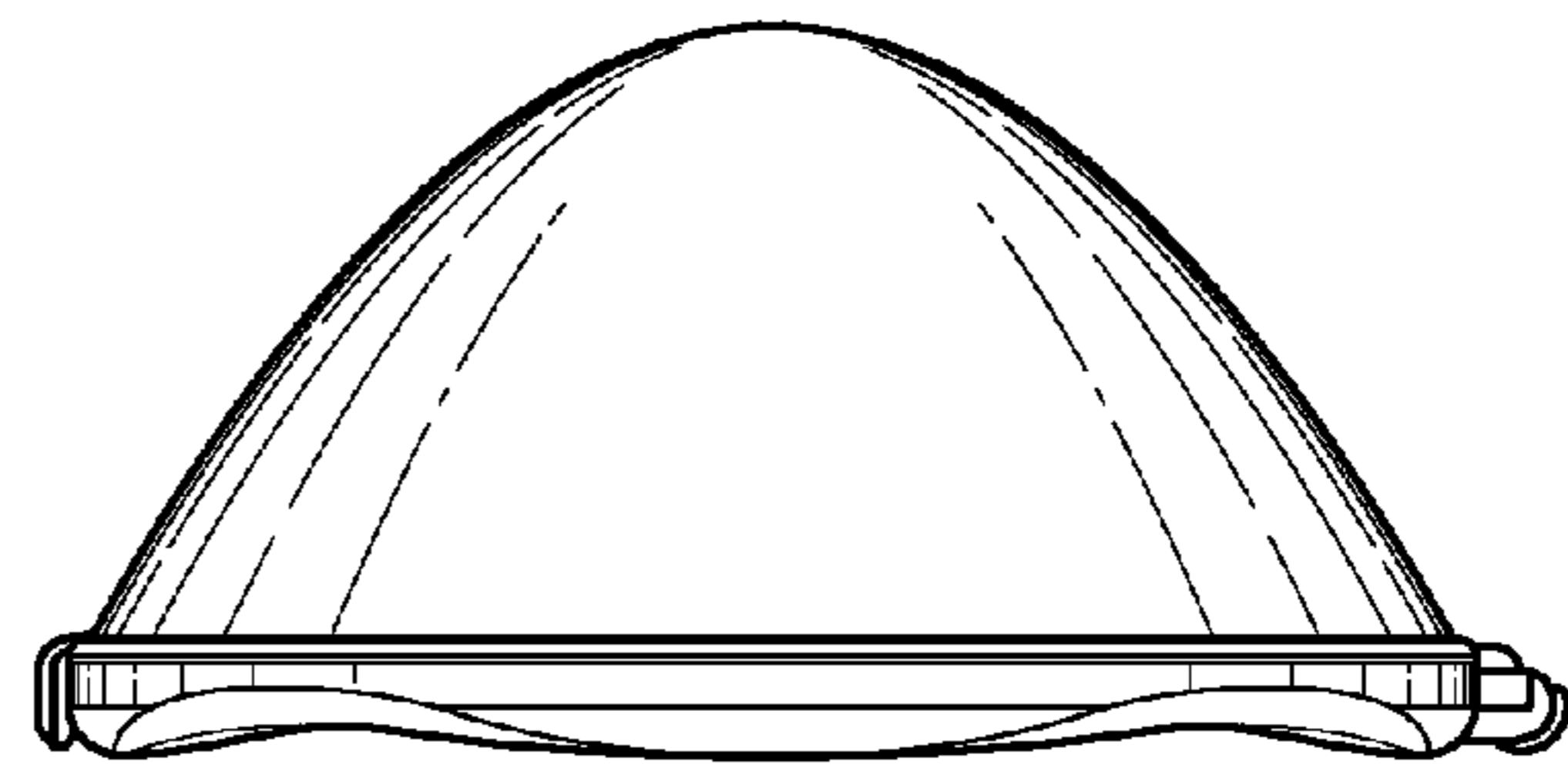


Fig. 5

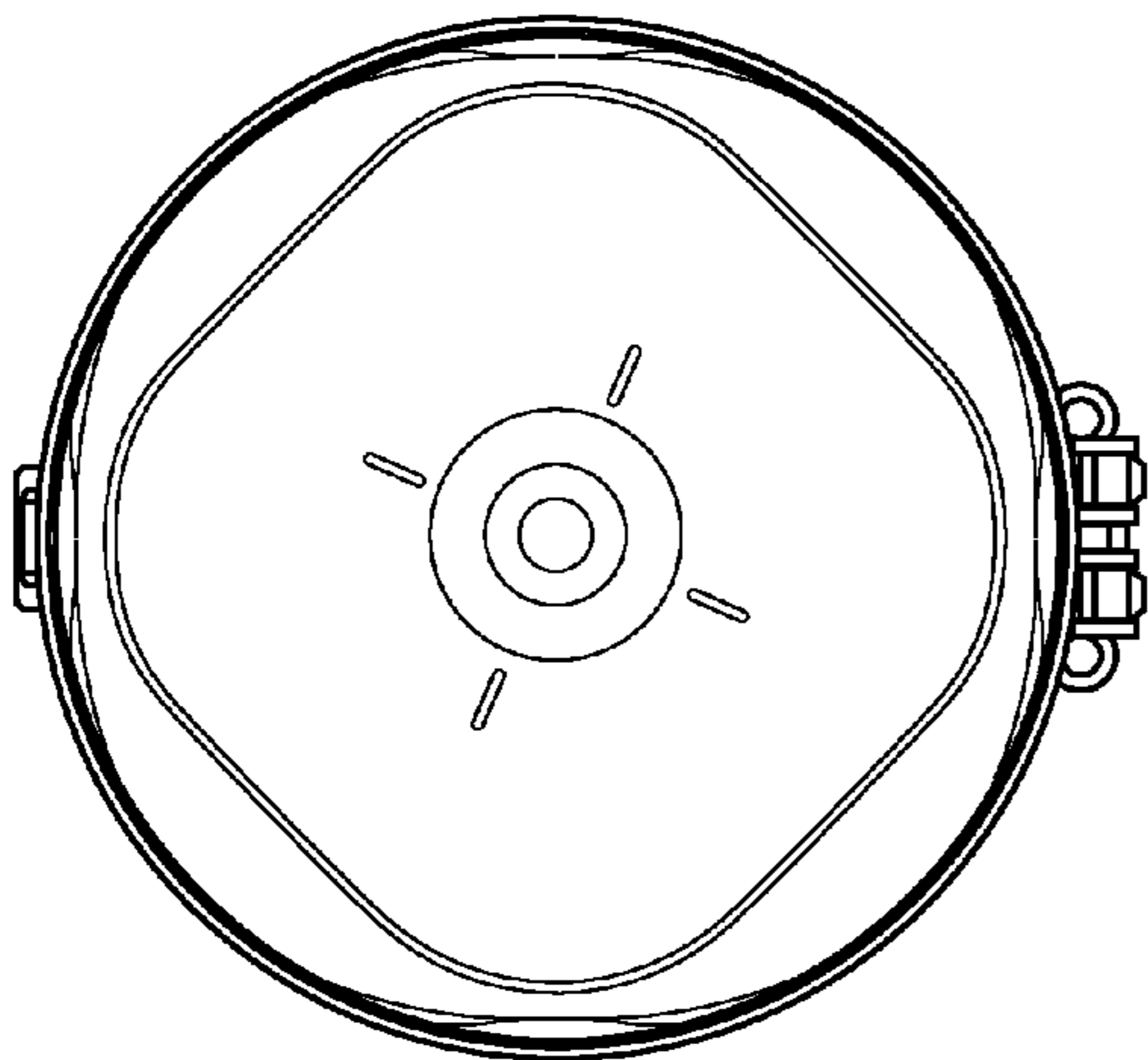


Fig. 6

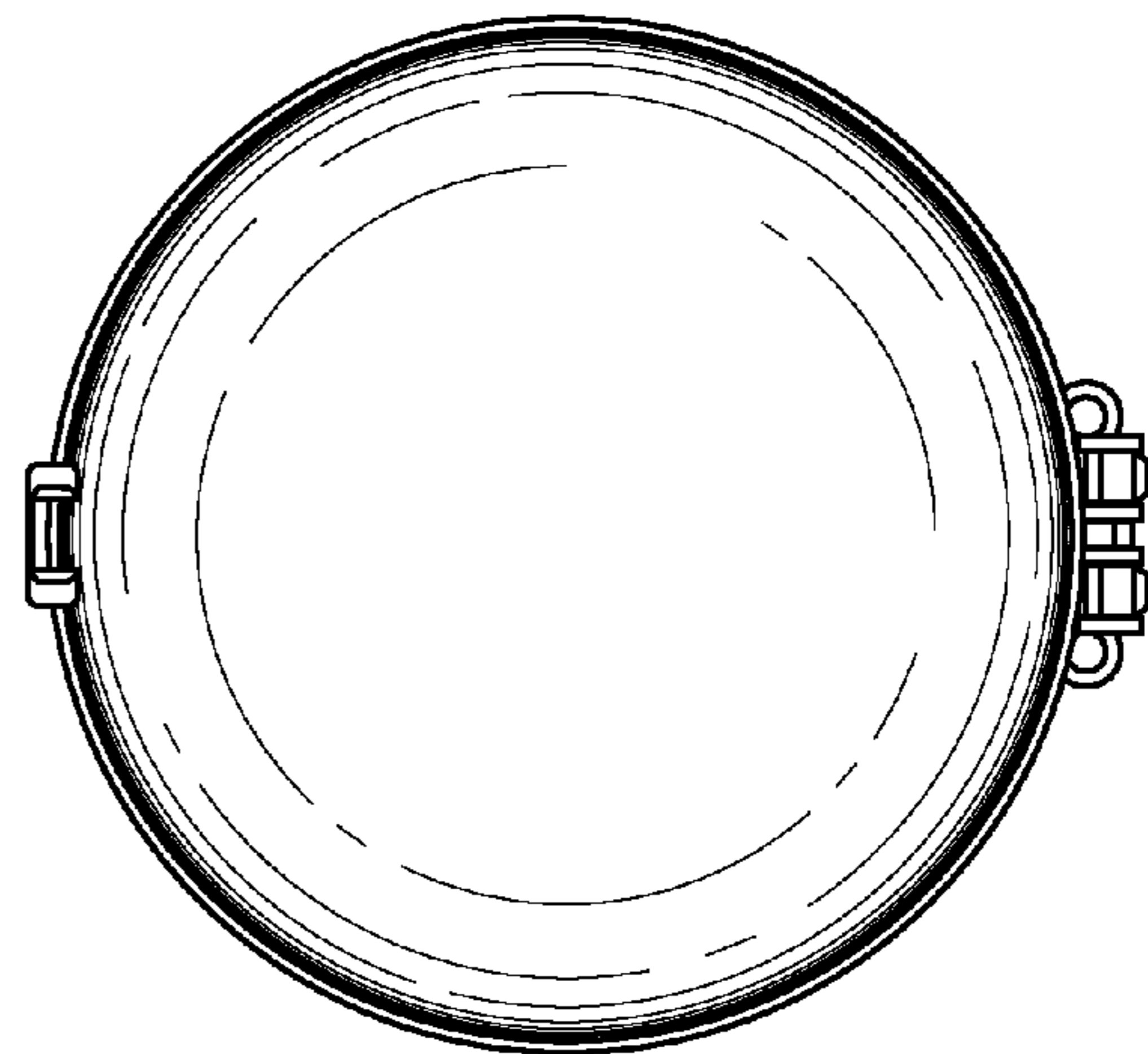


Fig. 7

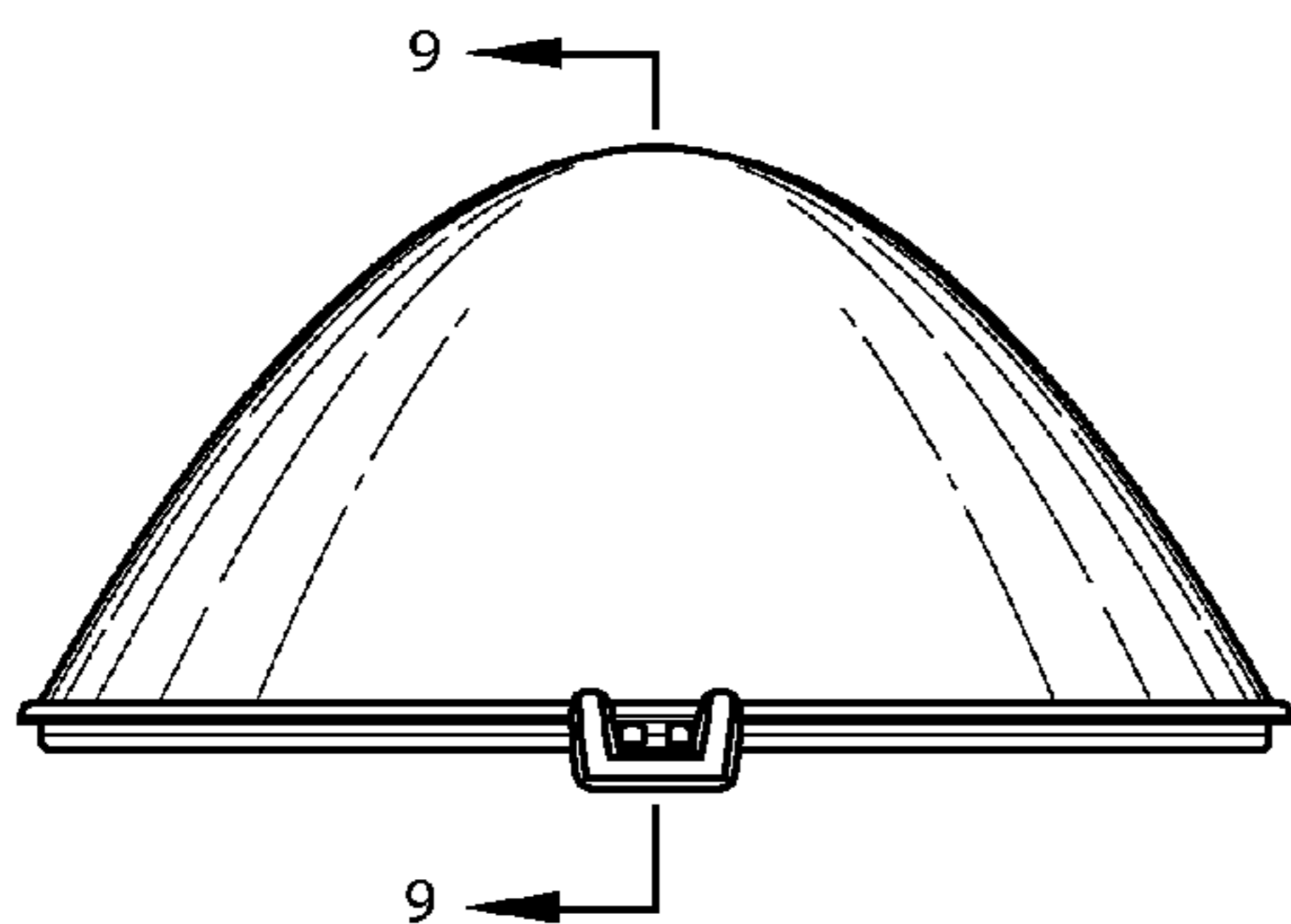


Fig. 8

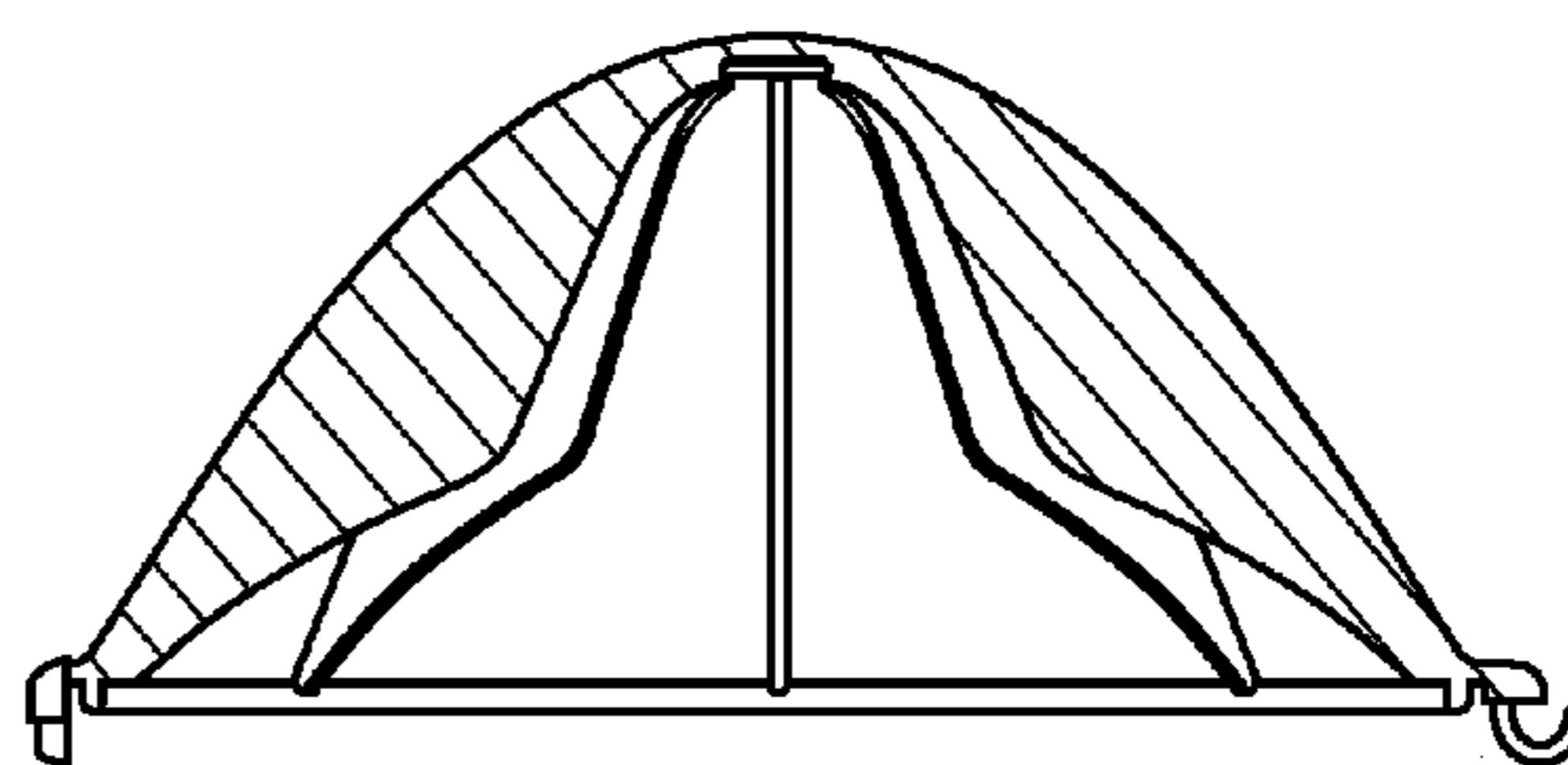


Fig. 9

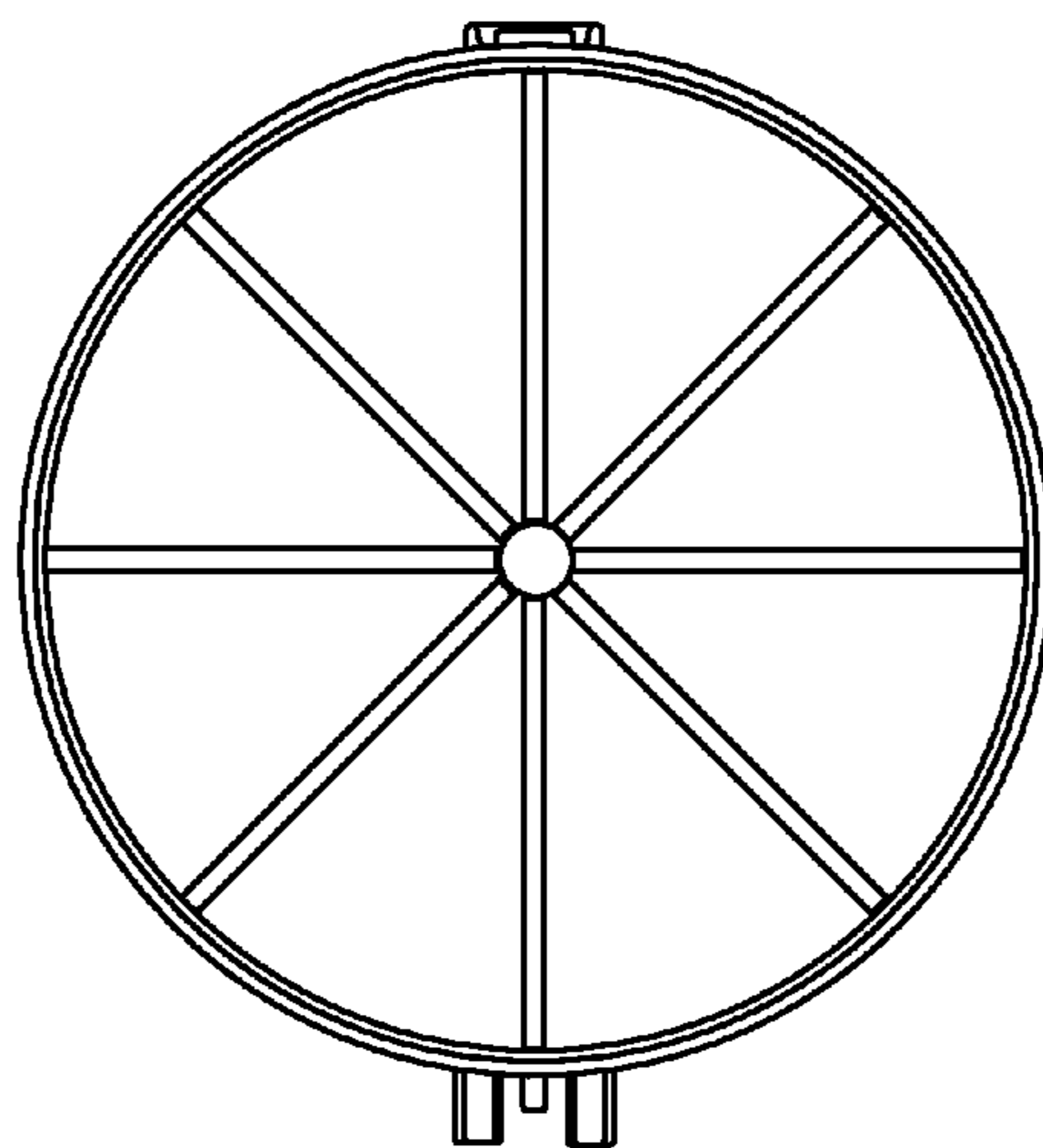


Fig. 10

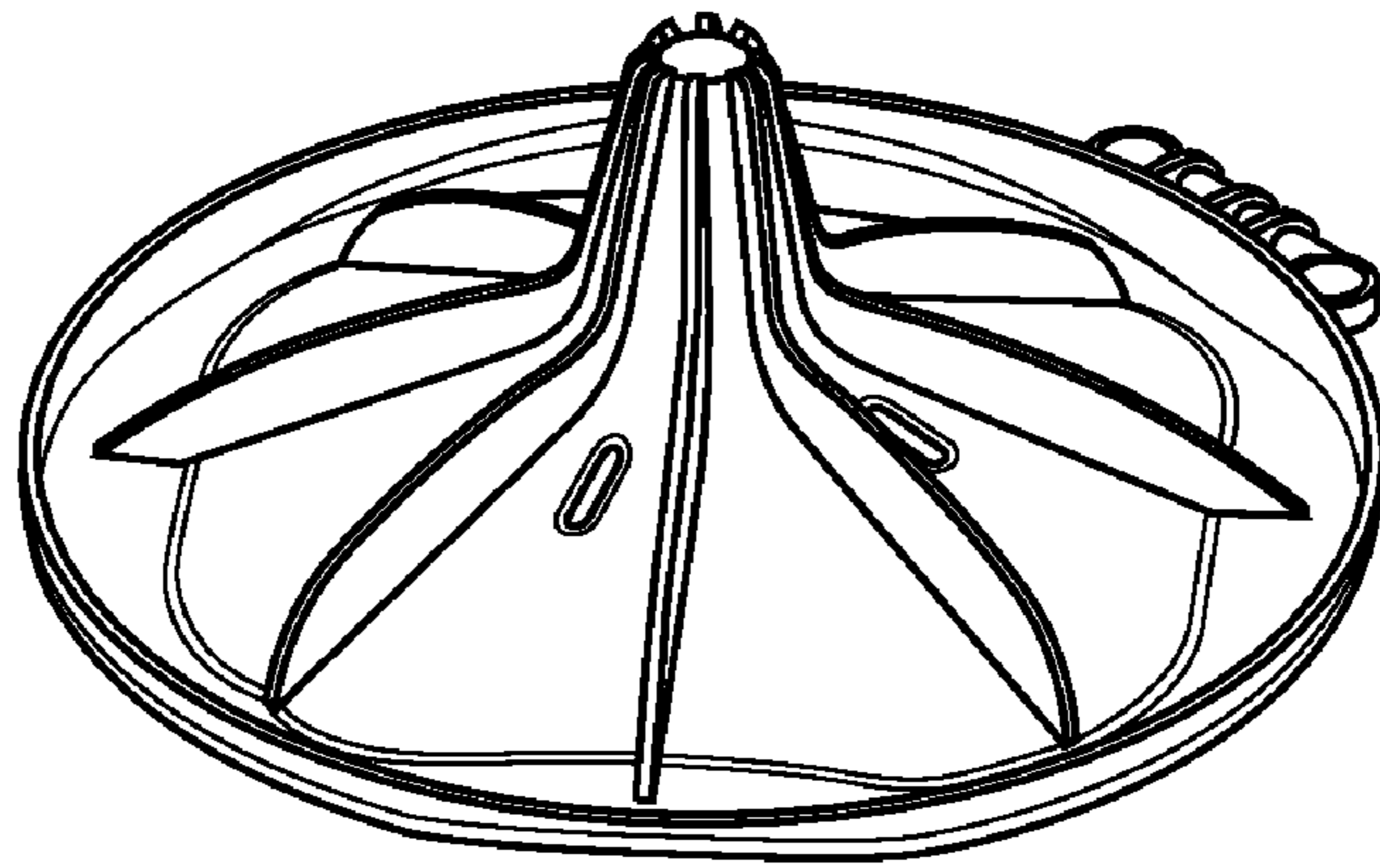


Fig. 11

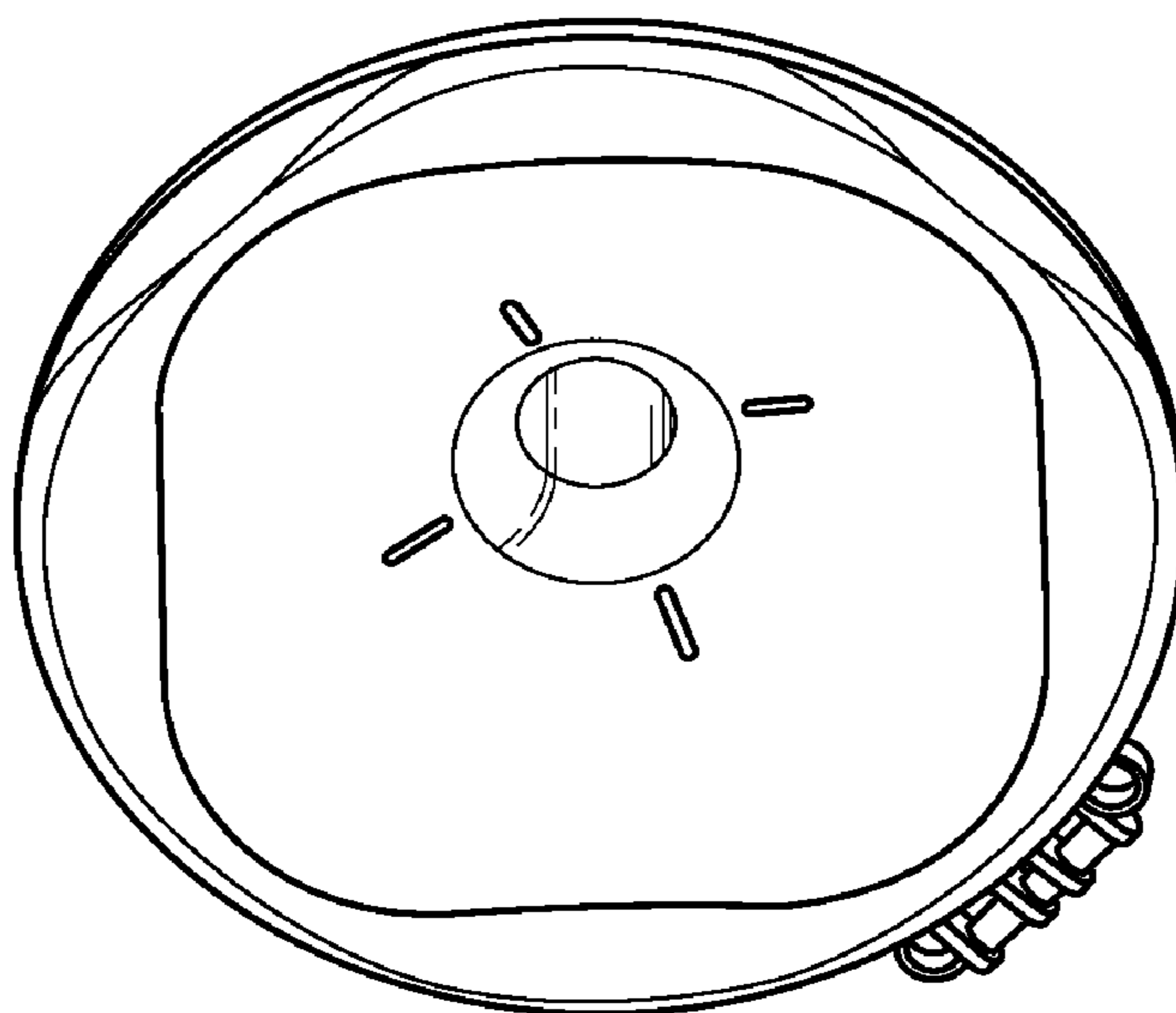


Fig. 12

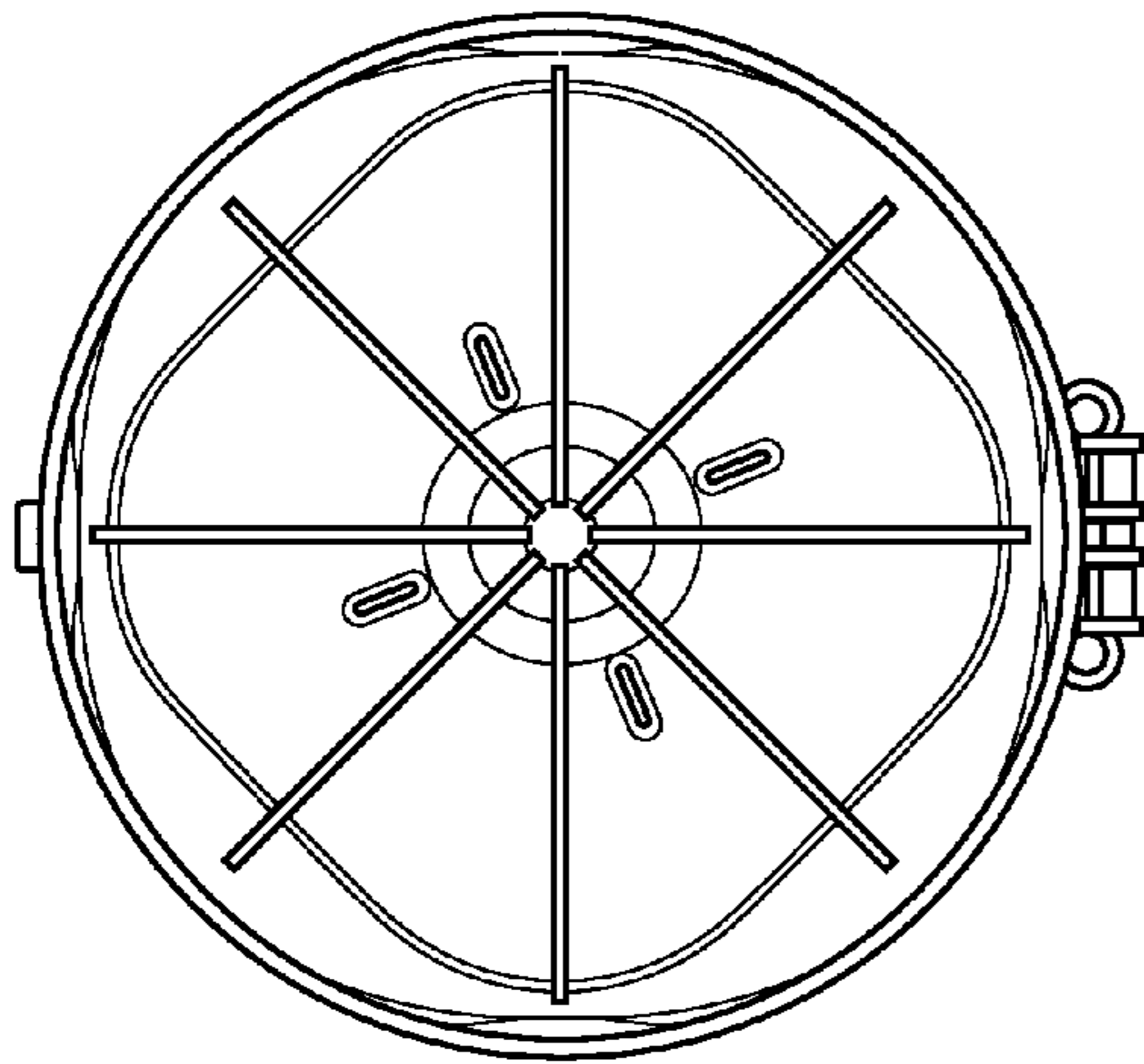


Fig. 13

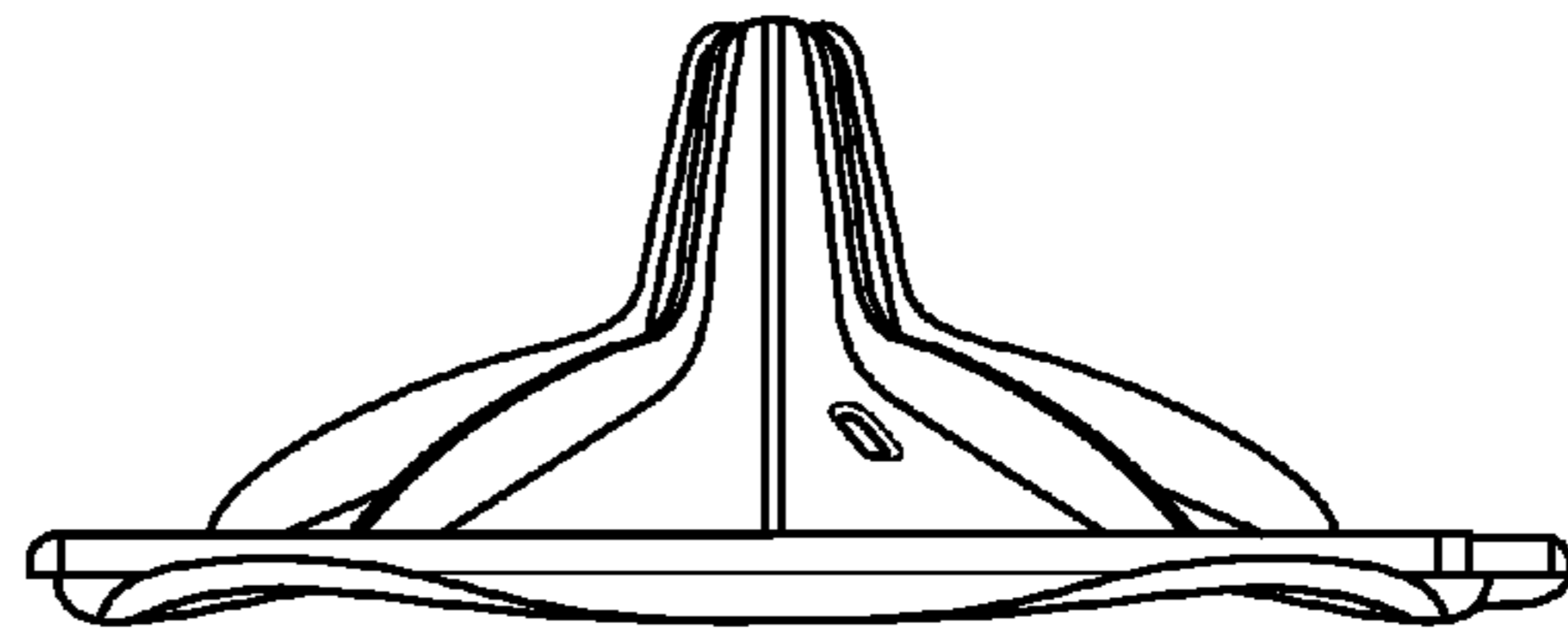


Fig. 14

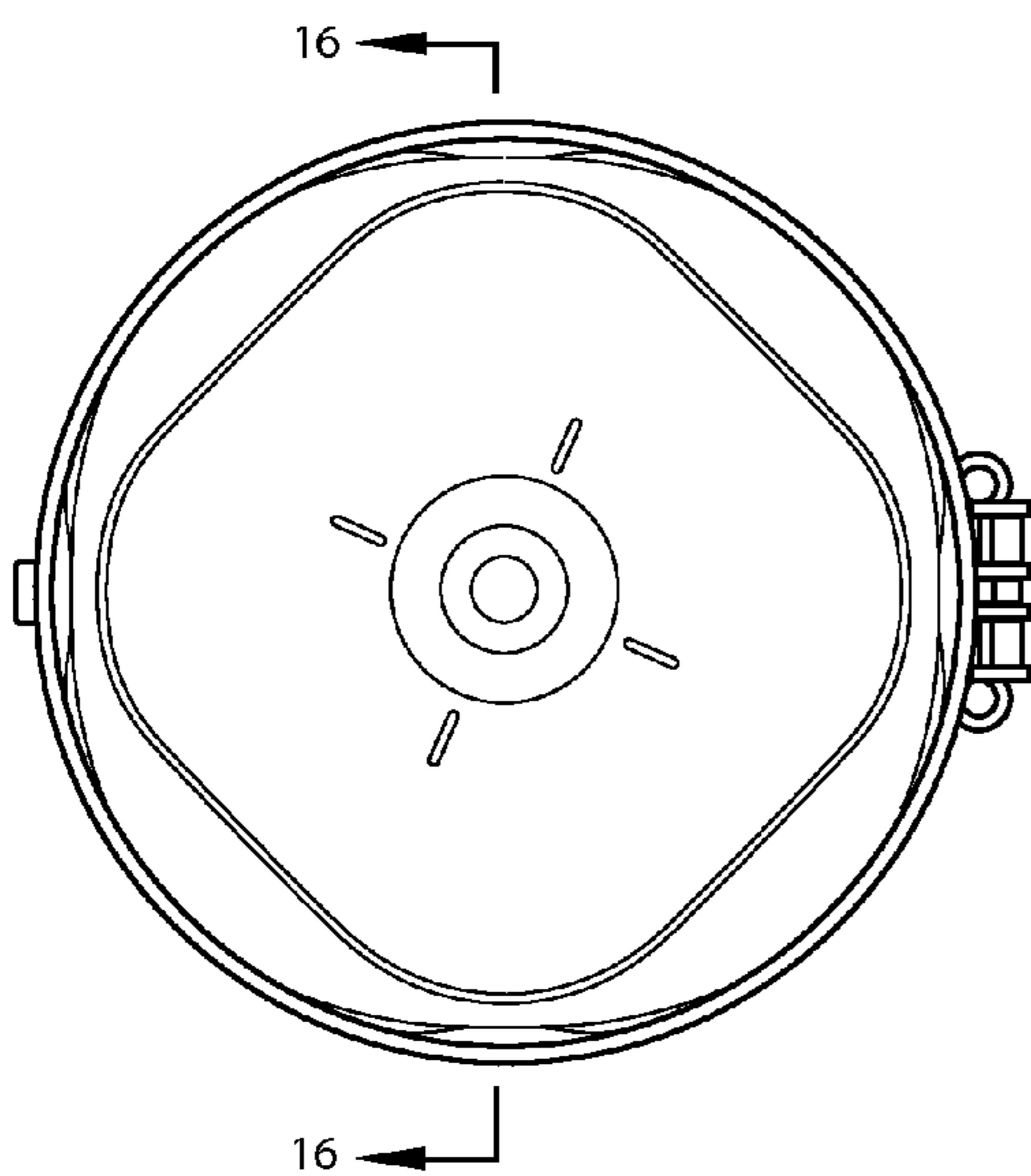


Fig. 15

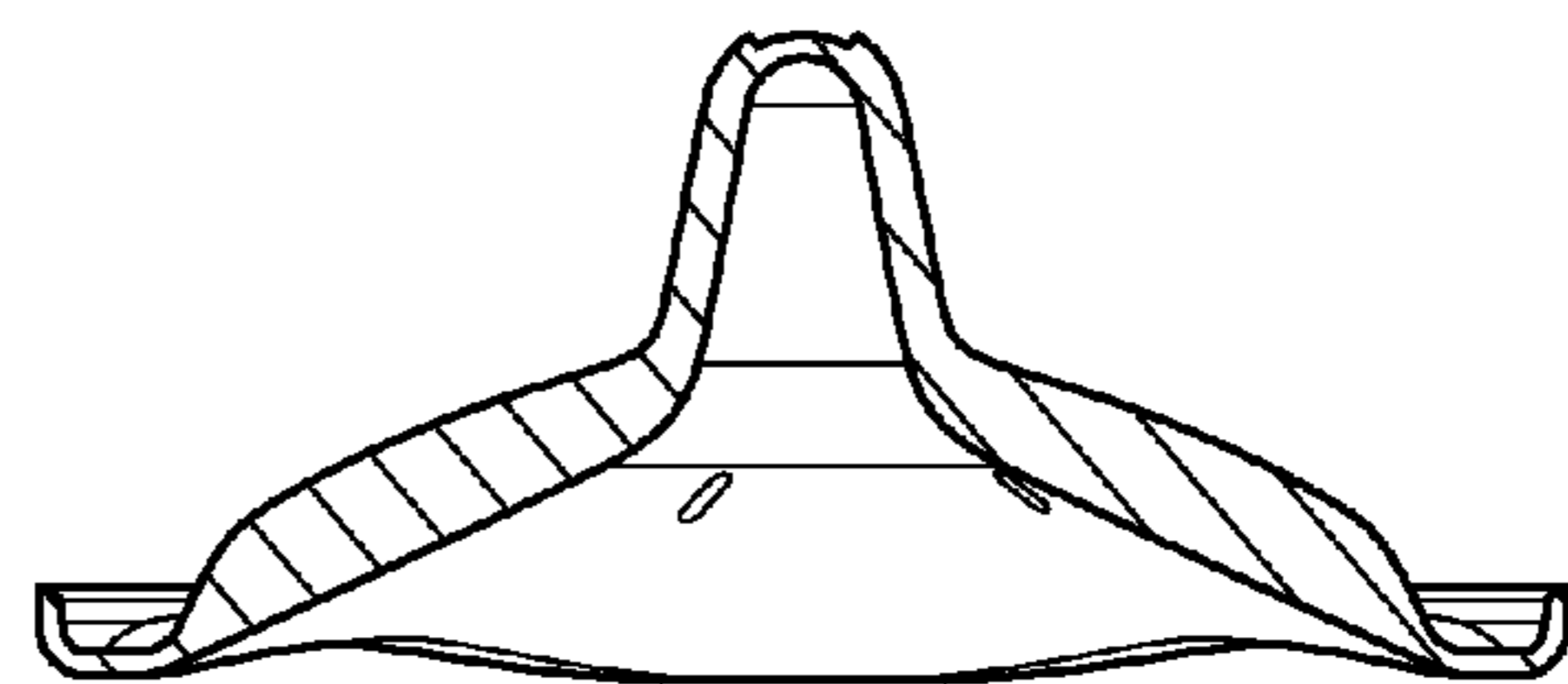


Fig. 16

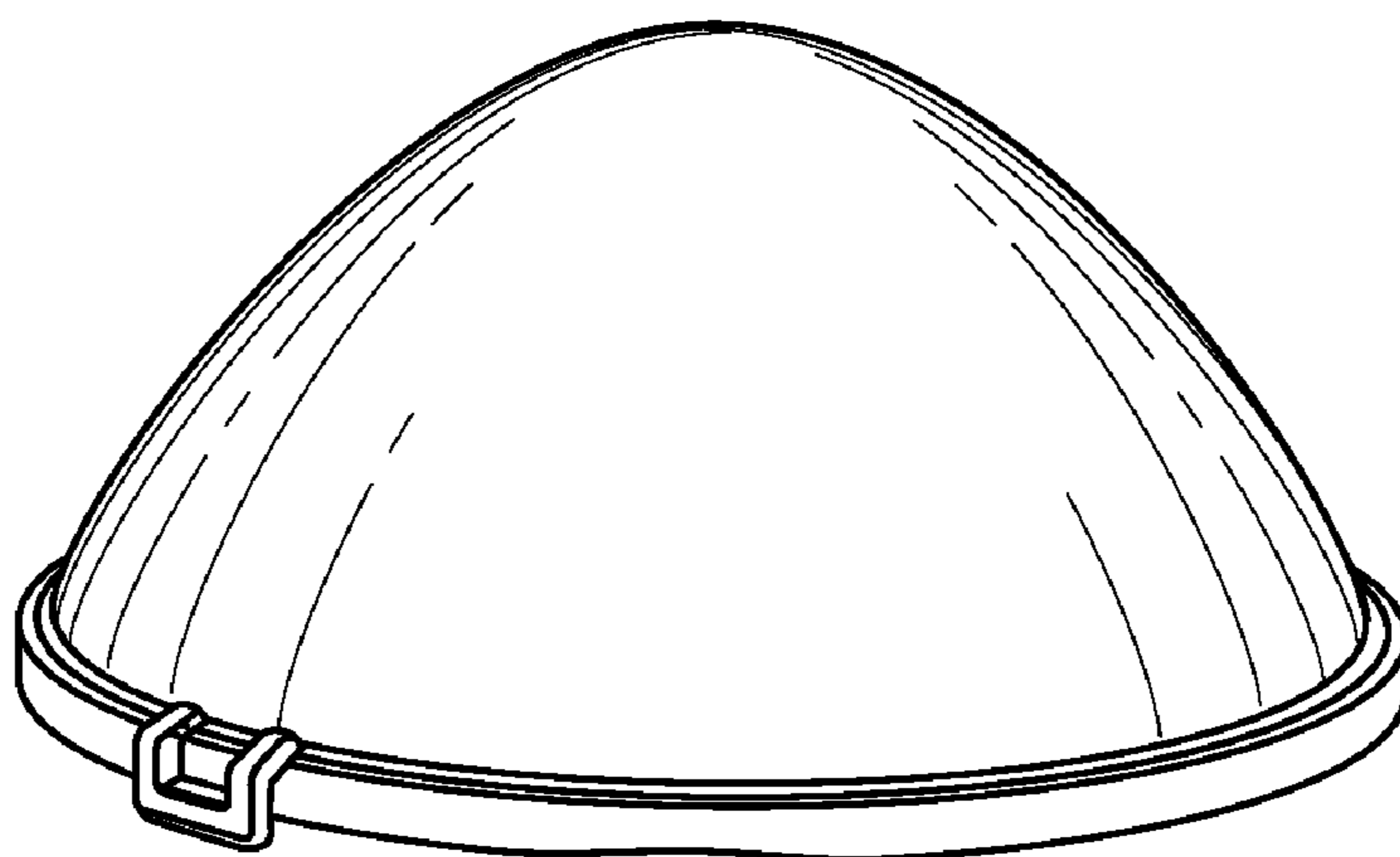


Fig. 17

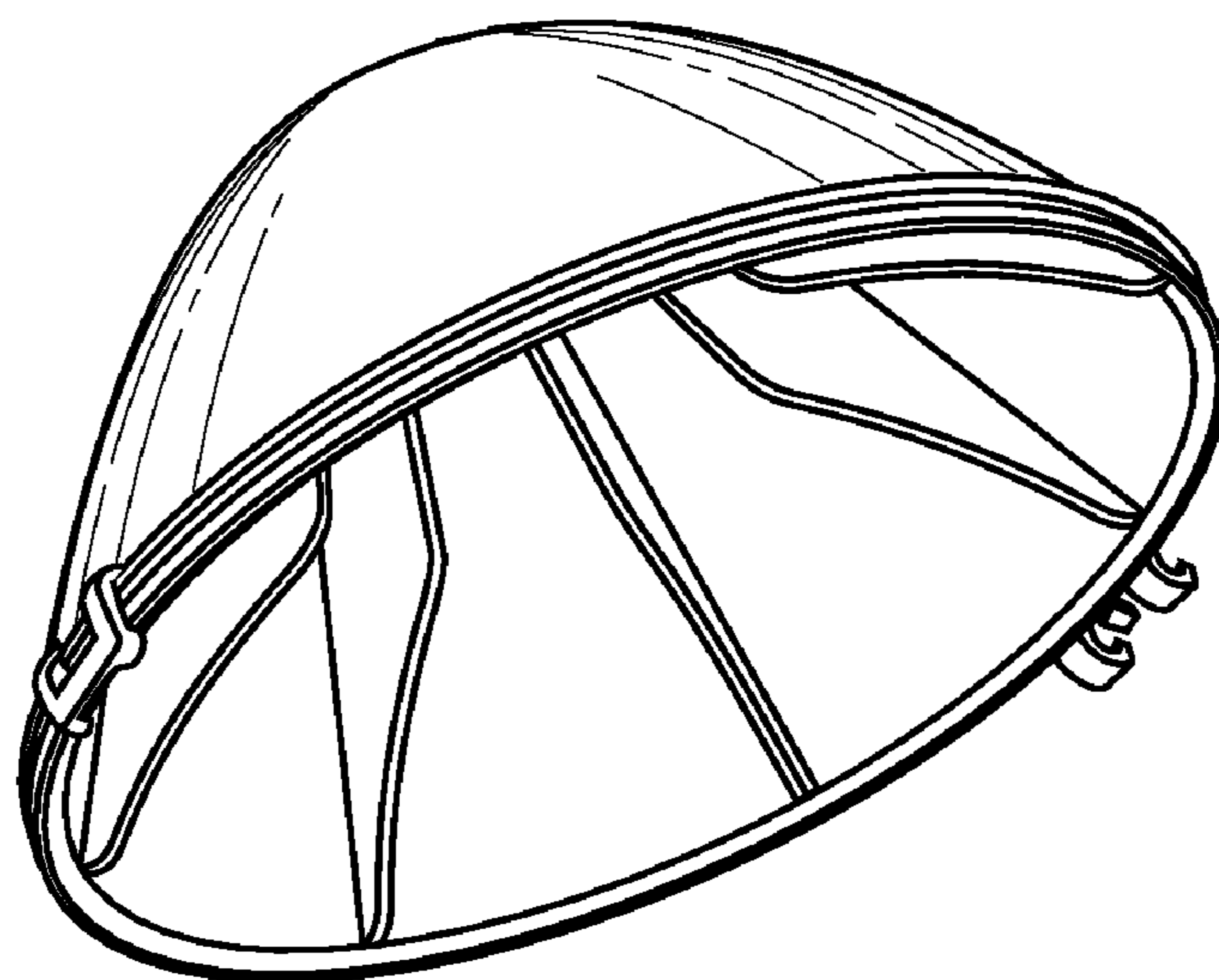


Fig. 18