

US00D628300S

(12) **United States Design Patent**
Caden

(10) **Patent No.:** **US D628,300 S**

(45) **Date of Patent:** **** Nov. 30, 2010**

(54) **ABDOMINAL WRAP**

6,068,606 A * 5/2000 Castel et al. 602/19
6,080,121 A * 6/2000 Madow et al. 602/5

(75) Inventor: **Jodi E. Caden**, 1917 Bayou Dr.,
Bloomfield Hills, MI (US) 48302

(Continued)

(73) Assignee: **Jodi E. Caden**

OTHER PUBLICATIONS

(**) Term: **14 Years**

www.mommy-village.com entitled: Postpartum Firm Control Belly
Girdle-Long dated Apr. 1, 2010.

(21) Appl. No.: **29/362,594**

Primary Examiner—Susan E Krakower
(74) *Attorney, Agent, or Firm*—Dobrusin & Thennisch PC

(22) Filed: **May 27, 2010**

(57) **CLAIM**

(51) **LOC (9) Cl.** **24-01**

The ornamental design for an abdominal wrap, as shown and
described.

(52) **U.S. Cl.** **D24/190**

(58) **Field of Classification Search** D24/188–190,
D24/200, 206; D29/100, 101.1, 101.3, 101.5;
D2/624, 627, 629, 634, 635; 602/5, 19, 13;
128/DIG. 20, 100, 101.1–101.5; 2/44–45,
2/300, 338, 463–465; D21/662

DESCRIPTION

See application file for complete search history.

FIG. 1 is a perspective view of an abdominal wrap shown in
use.

(56) **References Cited**

FIG. 2 a top plan view of the abdominal wrap shown in FIG.
1.

U.S. PATENT DOCUMENTS

FIG. 3 is a bottom plan view of the abdominal wrap shown in
FIG. 1.

- 3,441,027 A * 4/1969 Lehman 450/154
- 3,570,480 A * 3/1971 Stubbs 602/19
- D273,331 S * 4/1984 Gruber D24/190
- D278,657 S * 4/1985 Nakao et al. D24/190
- 5,122,111 A * 6/1992 Sebastian et al. 602/19
- 5,179,942 A * 1/1993 Drulias et al. 128/101.1
- 5,188,586 A * 2/1993 Castel et al. 602/19
- 5,302,171 A * 4/1994 Pearson et al. 602/19
- D349,767 S * 8/1994 Courtet D24/190
- D353,890 S * 12/1994 McKeel D24/190
- 5,560,046 A * 10/1996 Iwamasa et al. 2/328
- 5,591,122 A * 1/1997 Yewer, Jr. 602/19
- 5,722,940 A * 3/1998 Gaylord et al. 602/19
- D394,707 S * 5/1998 Tsubooka D24/190
- 5,785,672 A * 7/1998 Mattison et al. 602/19
- 5,820,575 A * 10/1998 Cabrera et al. 602/19
- D404,490 S * 1/1999 Tripolsky D24/190
- 5,984,885 A * 11/1999 Gaylord et al. 602/19
- D418,948 S * 1/2000 London D29/101.1

FIG. 4 is a first side elevational view of the abdominal wrap
shown in FIG. 1.

FIG. 5 is a second side elevational view of the abdominal
wrap shown in FIG. 1.

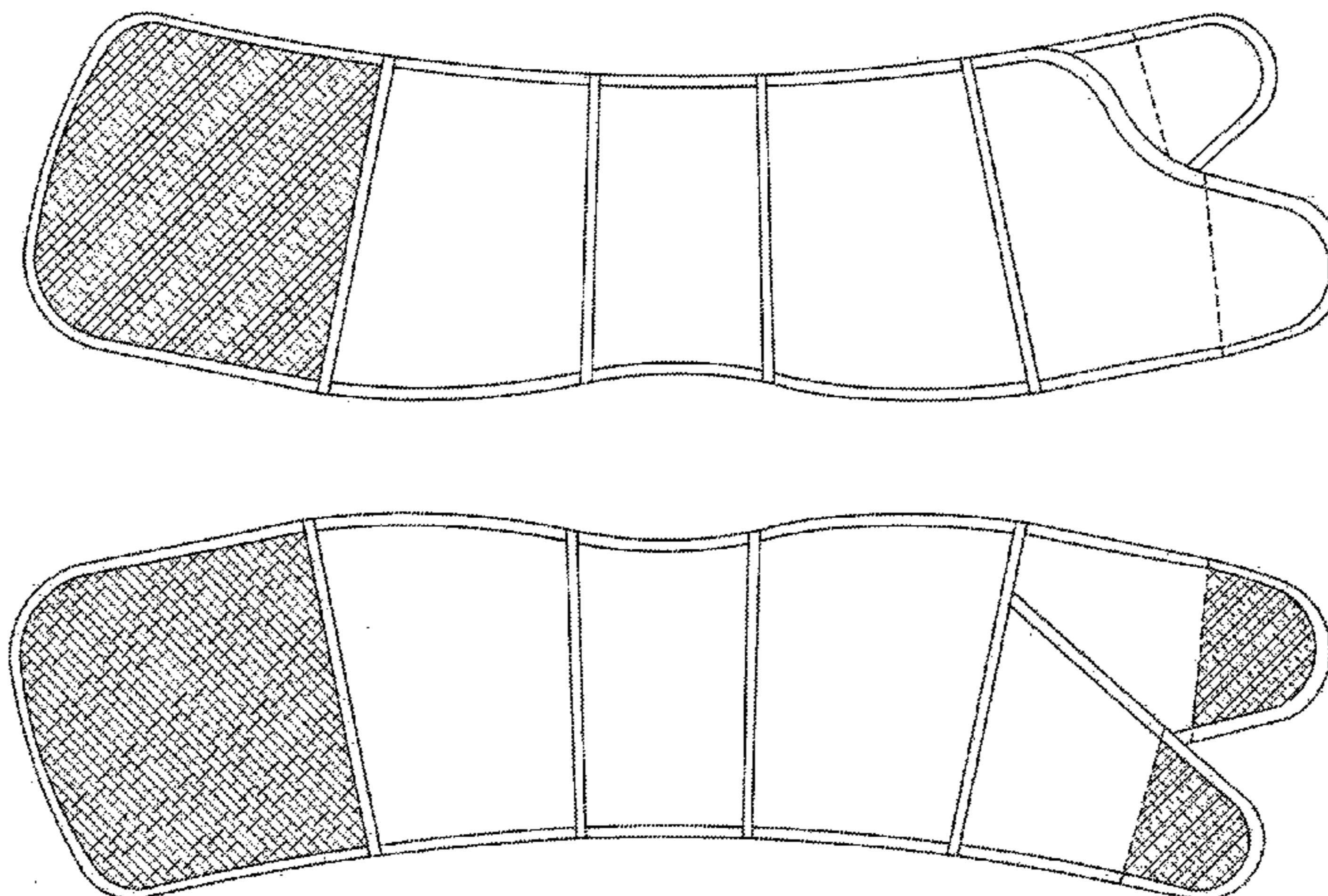
FIG. 6 is a first end elevational view of the abdominal wrap
shown in FIG. 1; and,

FIG. 7 is a second end elevational view of the abdominal wrap
shown in FIG. 1.

The broken lines in FIG. 1 showing a human figure illustrate
an environmental structure which forms no part of the
claimed design.

It is understood that the broken lines shown within the
claimed design indicates stitch lines which form part of the
claimed design.

1 Claim, 3 Drawing Sheets



US D628,300 S

Page 2

U.S. PATENT DOCUMENTS

6,146,345	A *	11/2000	Mignard	602/19	D496,108	S *	9/2004	Machin et al.	D24/206
D435,611	S *	12/2000	Hines	D21/662	D499,846	S *	12/2004	Cesko	D29/101.3
D437,416	S *	2/2001	Slautterback	D24/190	6,921,375	B2 *	7/2005	Kihara	602/5
6,342,044	B1 *	1/2002	Frangi et al.	602/19	7,001,348	B2 *	2/2006	Garth et al.	602/5
6,755,799	B2 *	6/2004	Toda	602/19	7,449,006	B2 *	11/2008	Wolanske	602/19
D492,787	S *	7/2004	Weaver et al.	D24/190	2010/0049109	A1 *	2/2010	Stewart, III	602/19

* cited by examiner

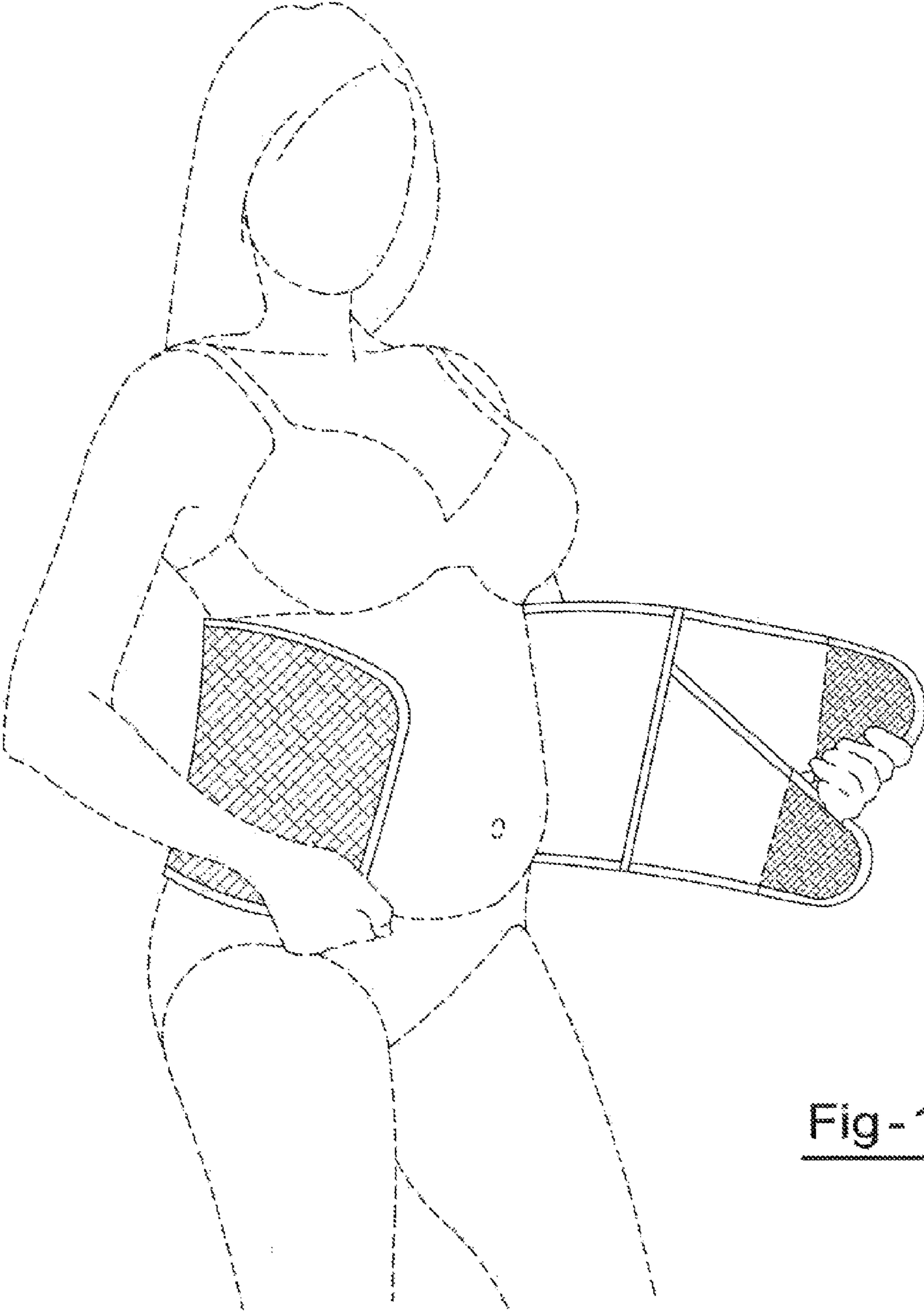


Fig-1

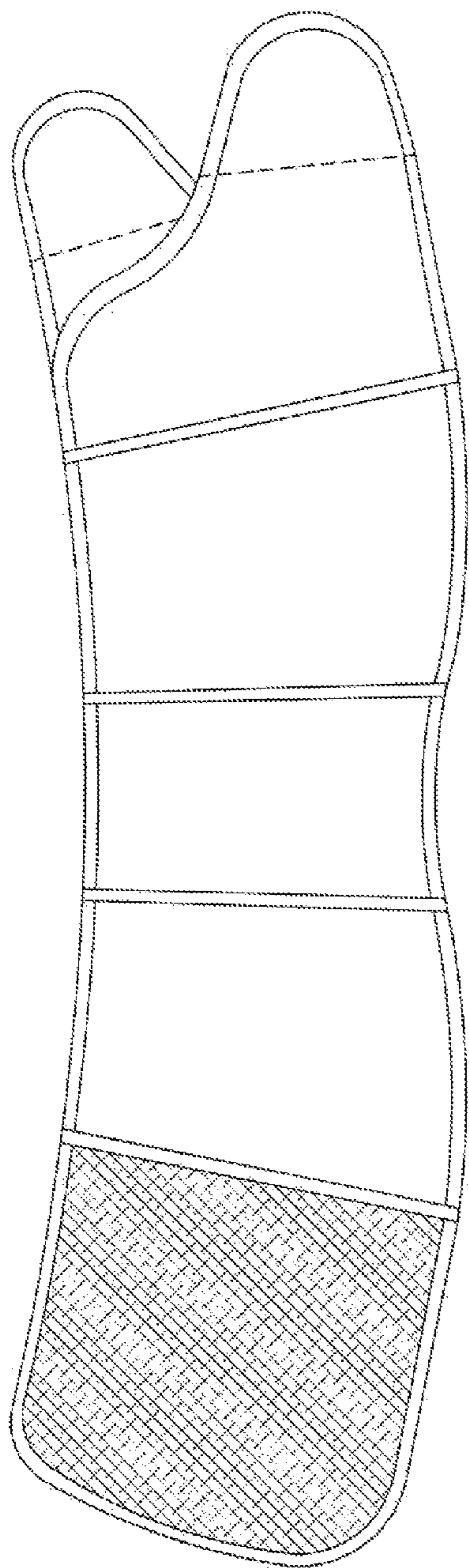


Fig-2

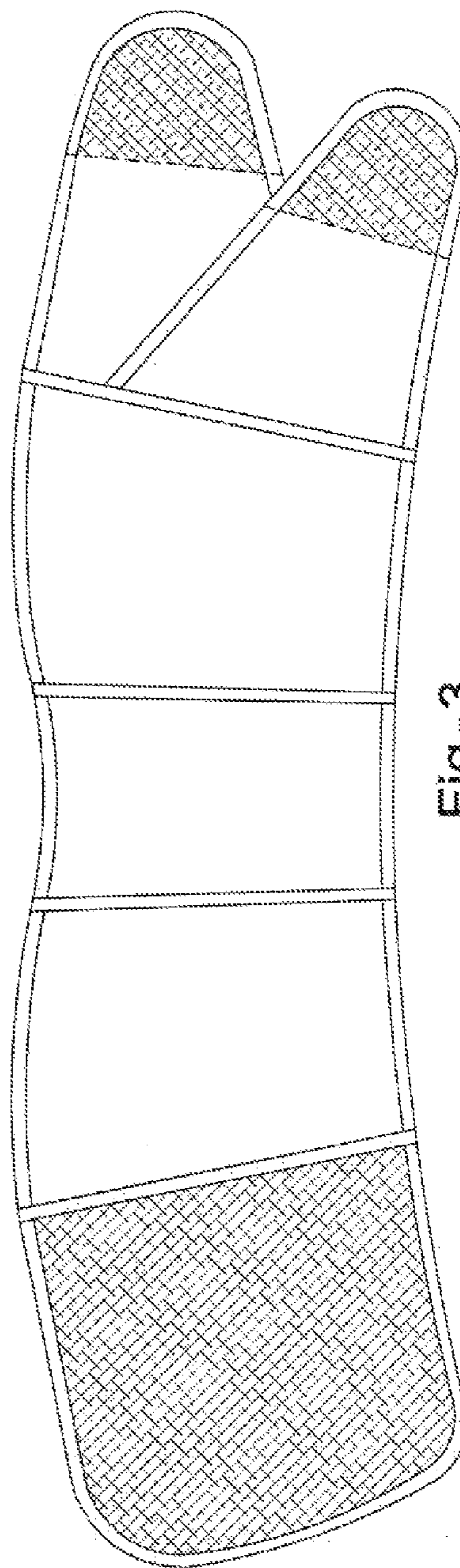


Fig-3



Fig -4

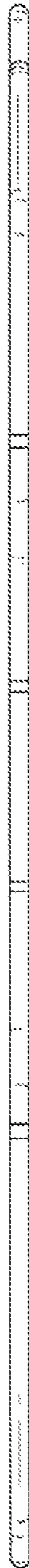


Fig -5

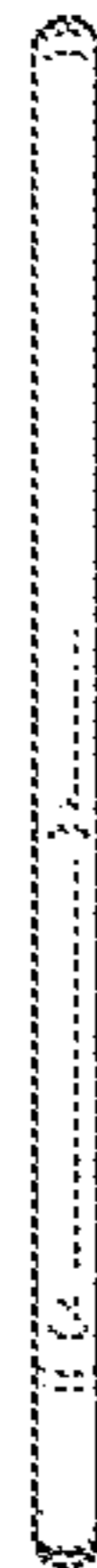


Fig-7

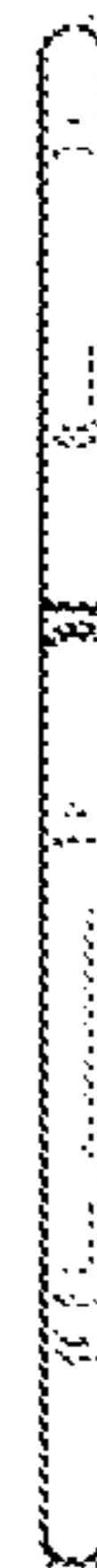


Fig-6