



US00D628295S

(12) **United States Design Patent**
Sakai et al.

(10) **Patent No.:** **US D628,295 S**
(45) **Date of Patent:** **** Nov. 30, 2010**

(54) **POSITRON EMISSION TOMOGRAPHY
CAMERA FOR BREAST IMAGING**

D487,805 S * 3/2004 Kondo D24/158
D492,998 S * 7/2004 Juni D24/158
D557,418 S * 12/2007 Onuma et al. D24/158
D563,553 S * 3/2008 Saito et al. D24/158

(75) Inventors: **Mayuka Sakai**, Kyoto (JP); **Masafumi
Furuta**, Kyoto (JP); **Kazushige
Tachibana**, Kyoto (JP)

* cited by examiner

(73) Assignee: **Shimadzu Corporation**, Kyoto (JP)

Primary Examiner—T. Chase Nelson

Assistant Examiner—Anhdao Doan

(**) Term: **14 Years**

(74) *Attorney, Agent, or Firm*—J.C. Patents

(21) Appl. No.: **29/350,824**

(57) **CLAIM**

(22) Filed: **Nov. 24, 2009**

The ornamental design for a positron emission tomography camera for breast imaging, as shown and described.

(51) **LOC (9) Cl.** **24-01**

DESCRIPTION

(52) **U.S. Cl.** **D24/158**

(58) **Field of Classification Search** D24/158-161,
D24/186; 378/4, 19-21, 23, 25, 27, 146,
378/37, 38, 193, 195-197; 250/336.03, 336.04
See application file for complete search history.

FIG. 1 is a perspective view of a positron emission tomography camera for breast imaging showing the new design;

FIG. 2 is a front view thereof;

FIG. 3 is a rear view thereof;

FIG. 4 is a left side view thereof;

FIG. 5 is a right side view thereof;

FIG. 6 is a top view thereof; and,

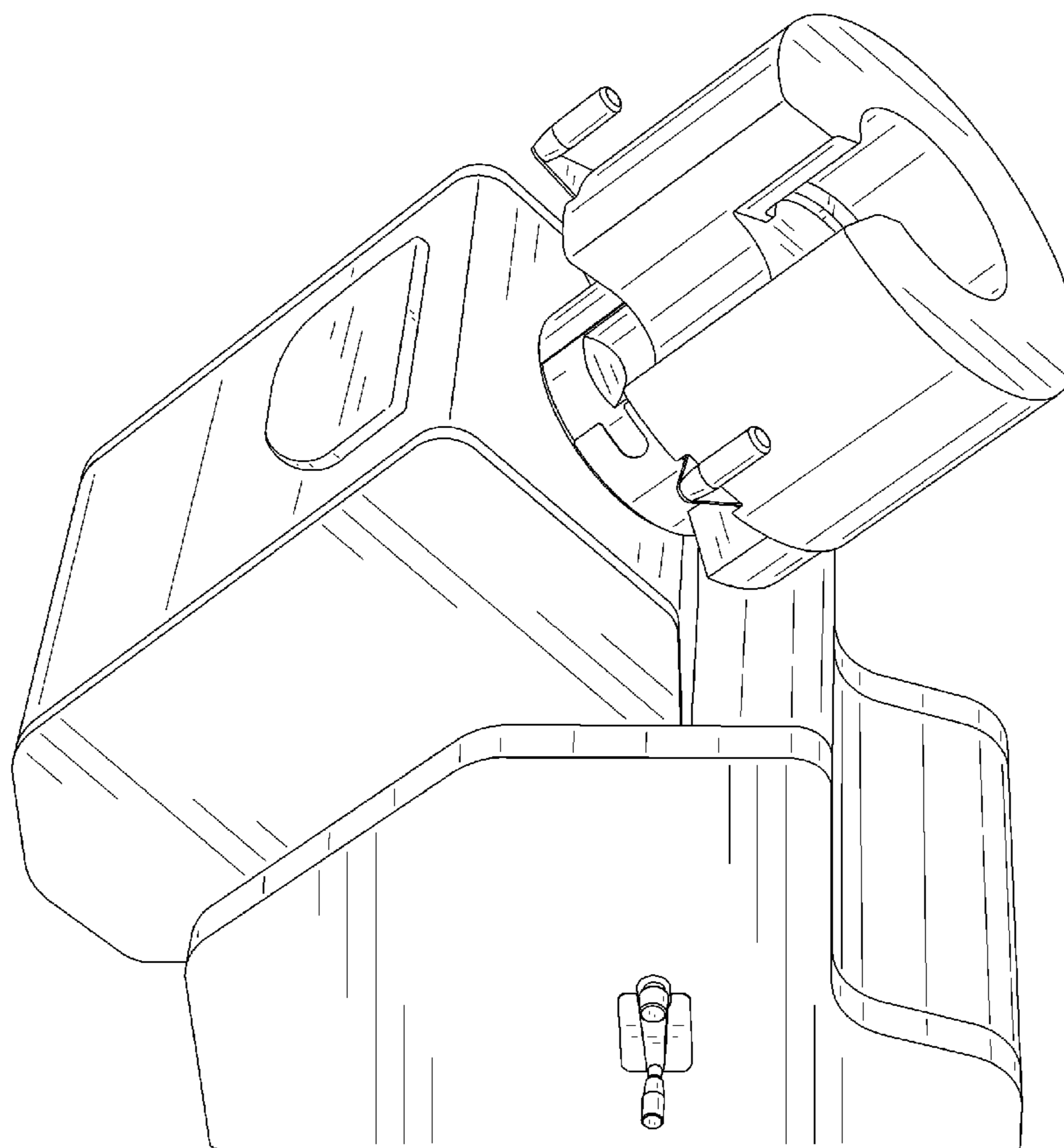
FIG. 7 is a bottom view thereof.

(56) **References Cited**

U.S. PATENT DOCUMENTS

4,206,763 A * 6/1980 Pedersen 378/37
5,820,552 A * 10/1998 Crosby et al. 378/37
6,525,321 B2 * 2/2003 Juni 250/363.04
D474,277 S * 5/2003 Juni D24/158

1 Claim, 7 Drawing Sheets



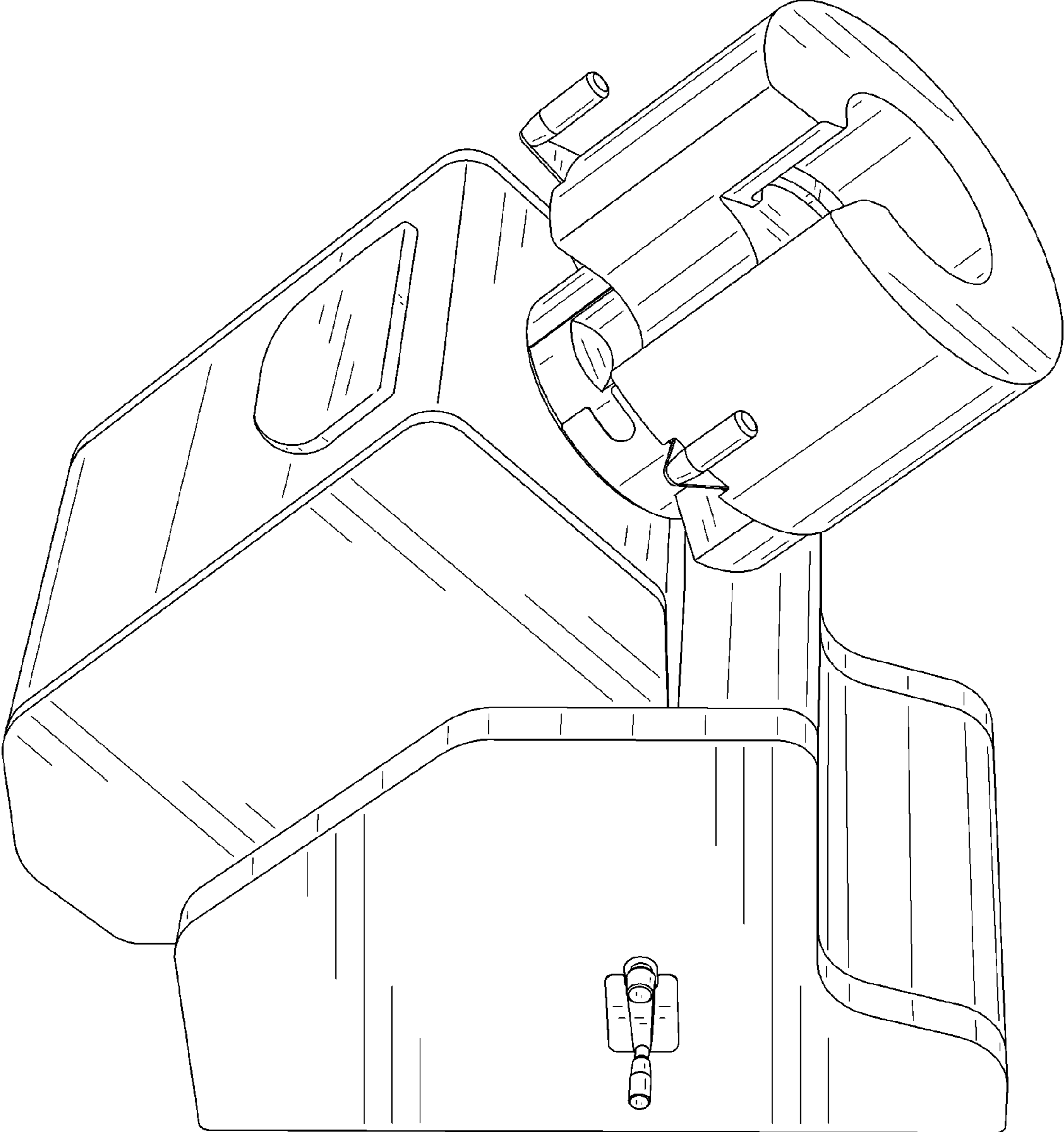


FIG. 1

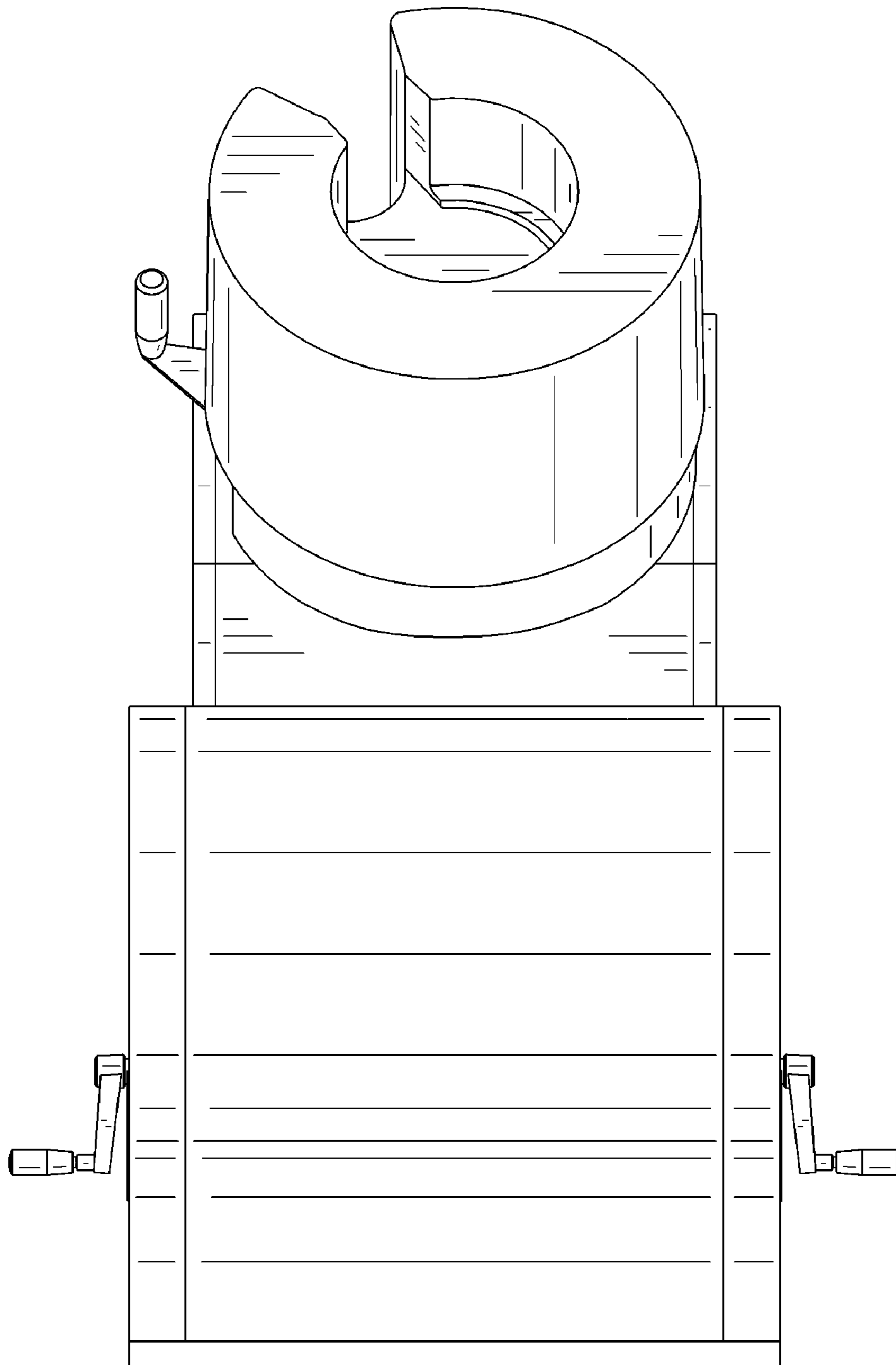


FIG. 2

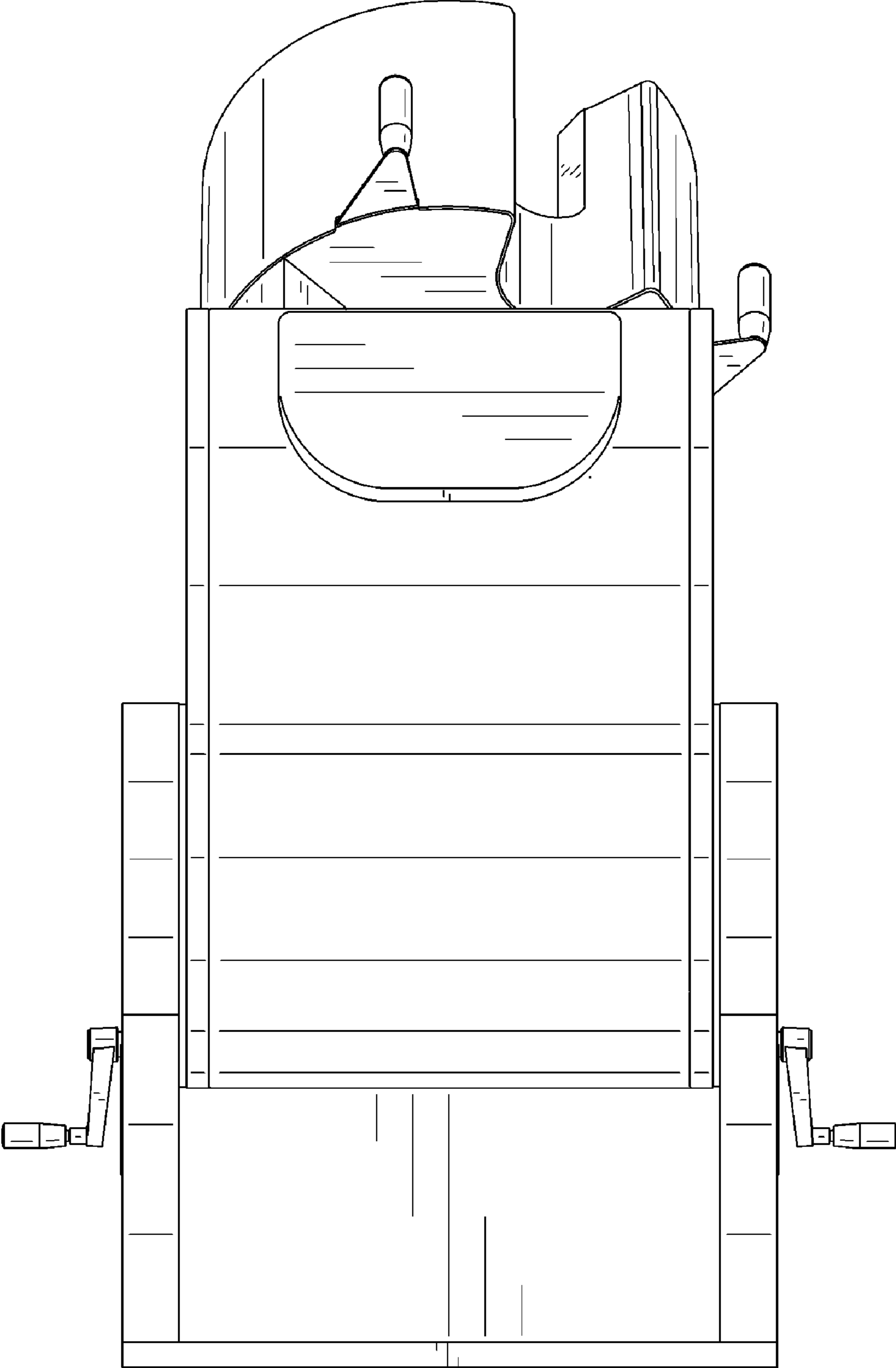


FIG. 3

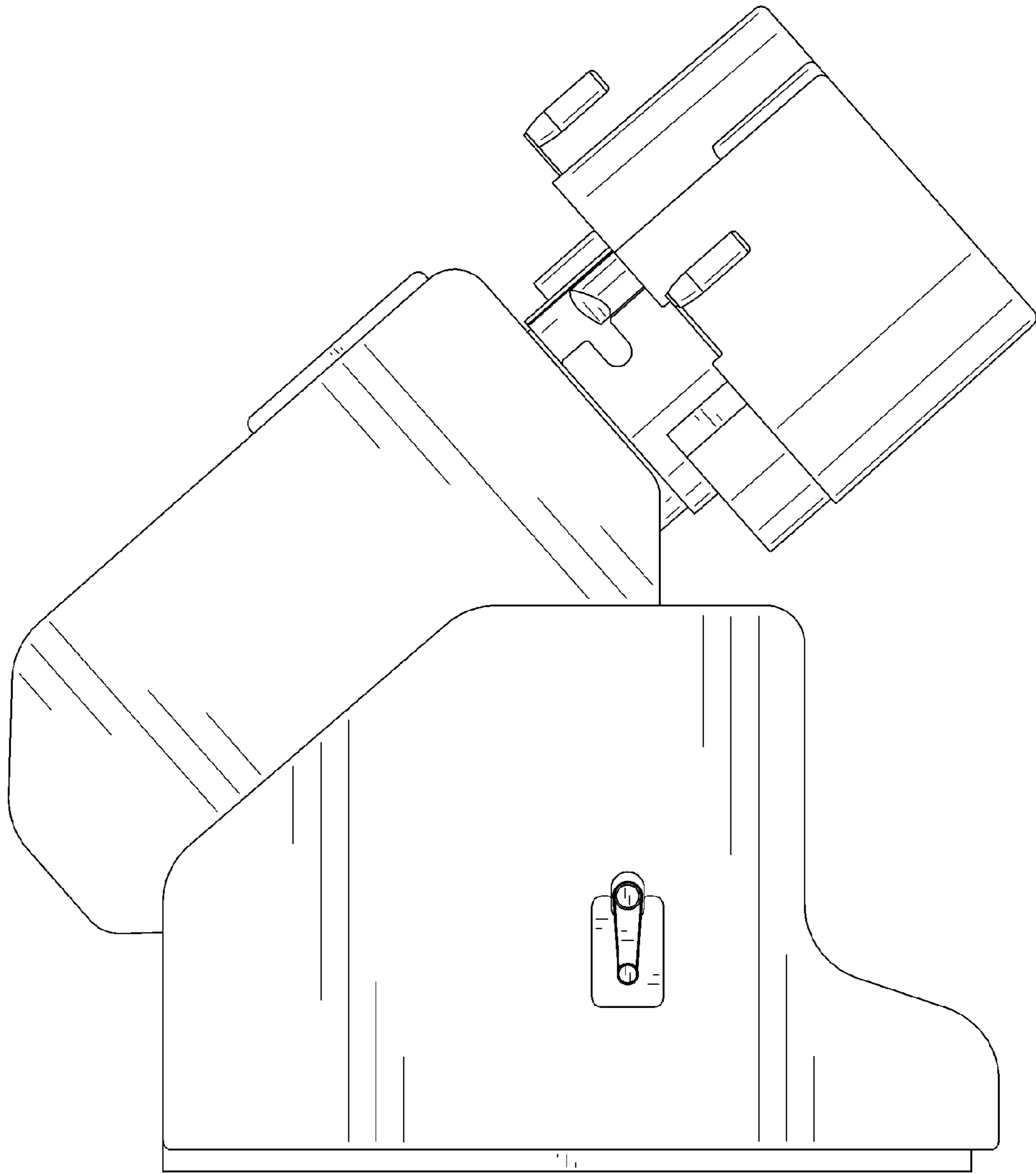


FIG. 4

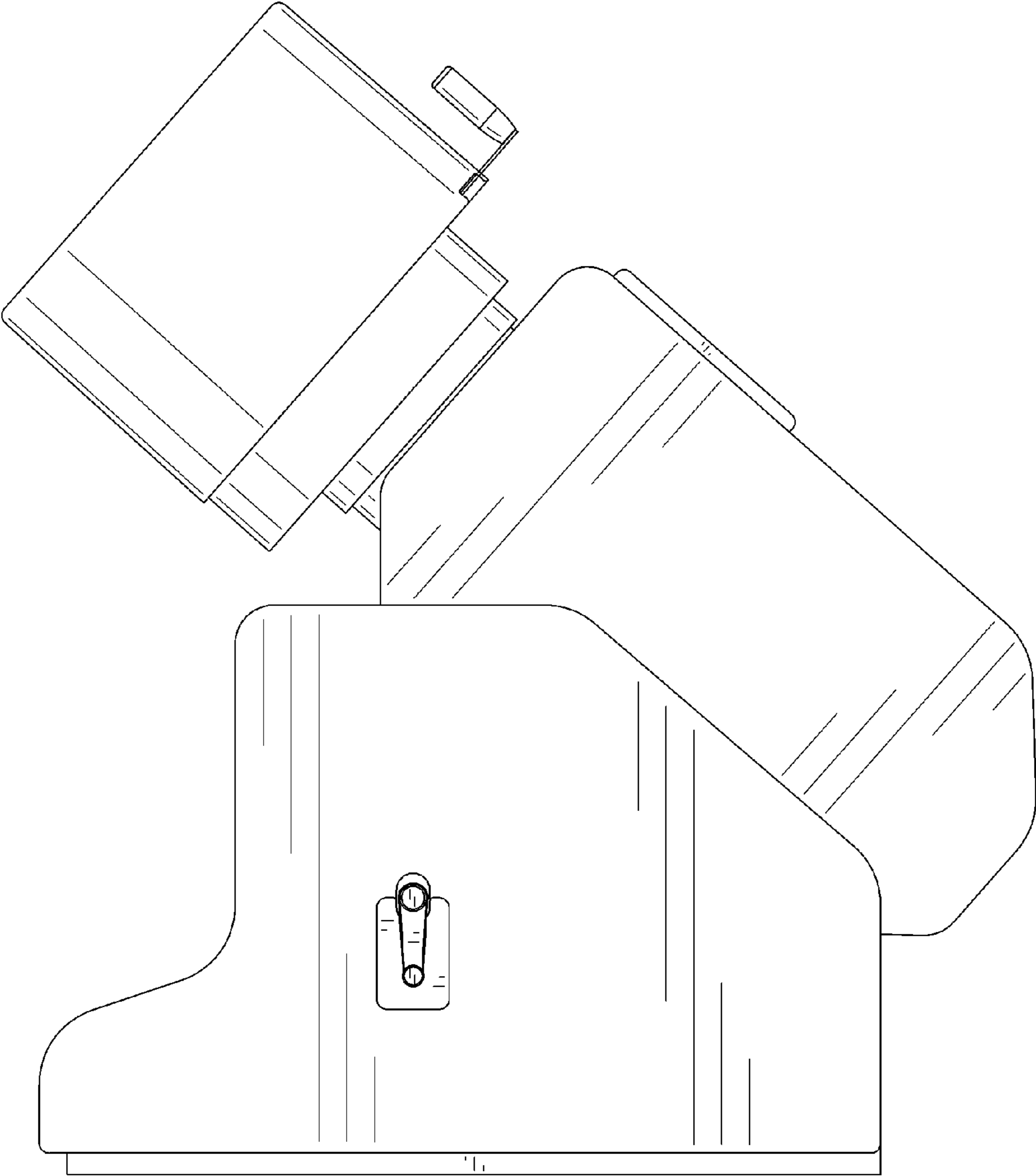


FIG. 5

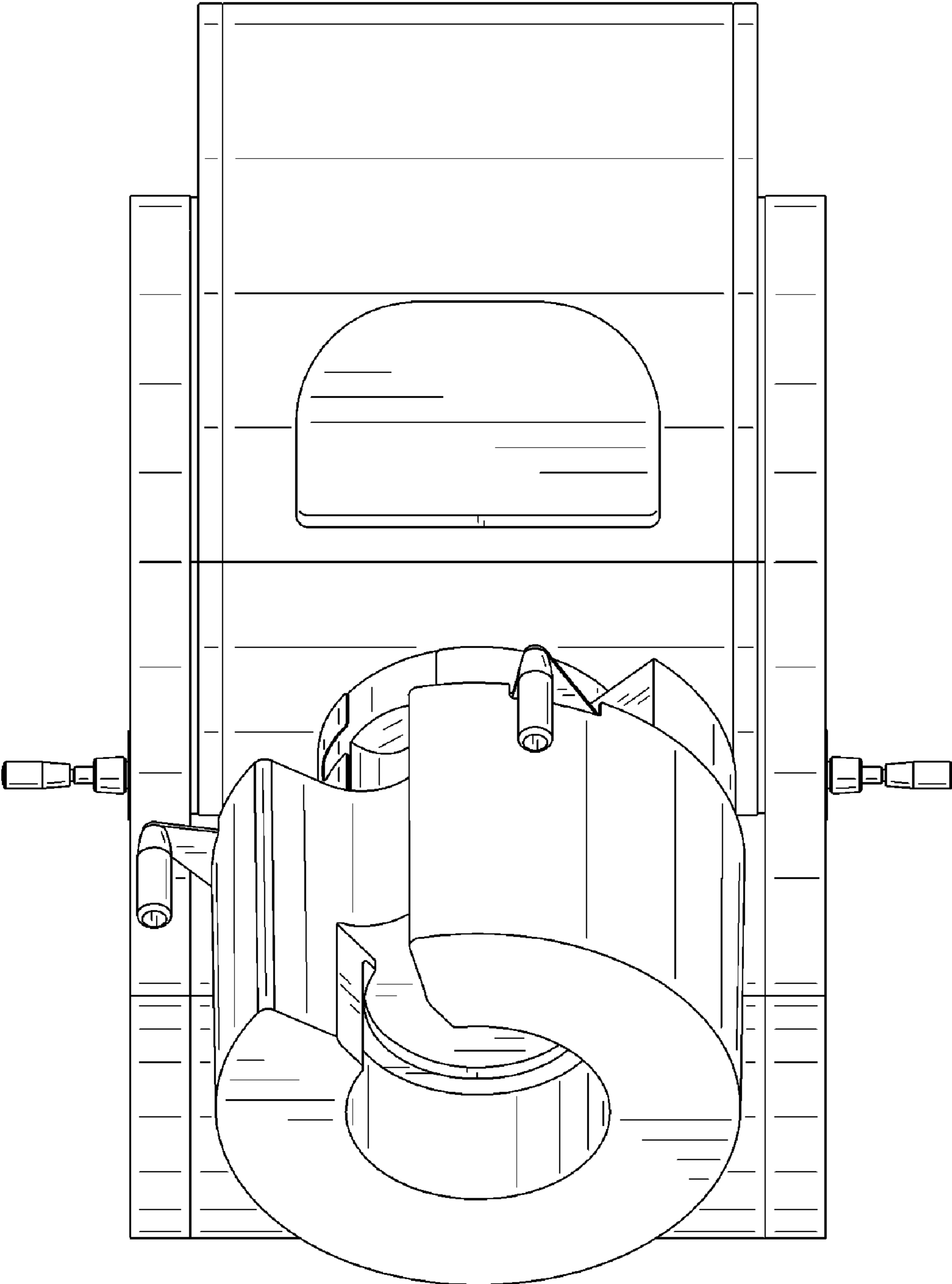


FIG. 6

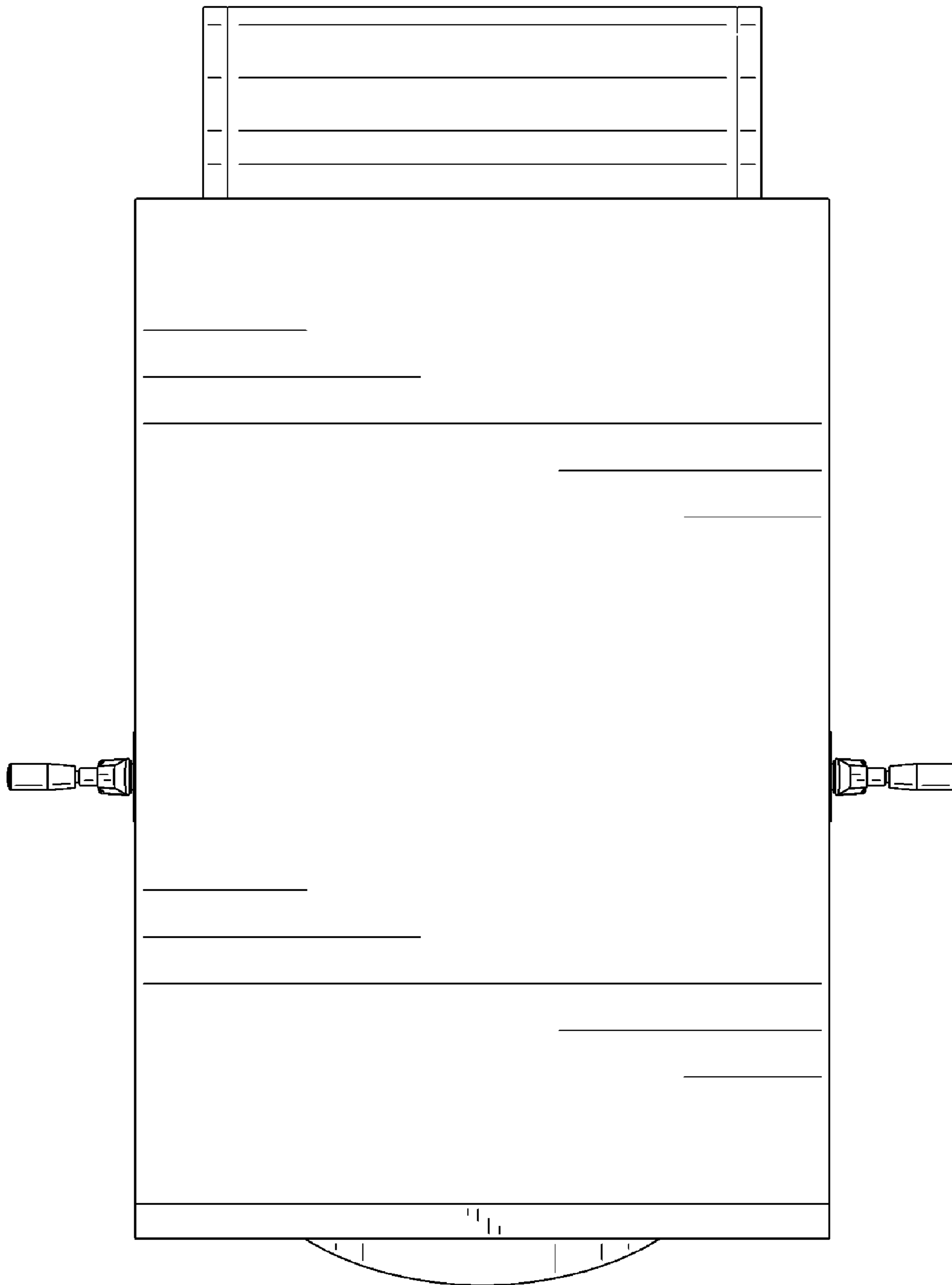


FIG. 7