



US00D628294S

(12) **United States Design Patent**  
**Baba**

(10) **Patent No.:** **US D628,294 S**  
(45) **Date of Patent:** **\*\* Nov. 30, 2010**

(54) **SCANNER FOR X-RAY TOMOGRAPHY  
DIAGNOSIS APPARATUS WITH A NUCLEAR  
MEDICAL DIAGNOSTIC IMAGING  
APPARATUS**

7,378,660 B2 5/2008 Case et al.  
D590,504 S \* 4/2009 Ogiwara ..... D24/158  
D591,862 S \* 5/2009 Taniguchi et al. .... D24/158

**FOREIGN PATENT DOCUMENTS**

(75) Inventor: **Noriaki Baba**, Tokyo (JP)  
(73) Assignees: **Kabushiki Kaisha Toshiba**, Tokyo (JP);  
**Toshiba Medical Systems Corporation**,  
Tochigi (JP)

JP D1068446 4/2000  
JP D1282247 9/2006  
JP D1299954 5/2007  
JP D1299955 5/2007

**OTHER PUBLICATIONS**

(\*\*) Term: **14 Years**  
(21) Appl. No.: **29/328,852**  
(22) Filed: **Dec. 3, 2008**

Nikkei Sangyo Shinbun (News Paper), published Mar. 6, 2006.

\* cited by examiner

*Primary Examiner*—T. Chase Nelson  
*Assistant Examiner*—Anhdao Doan  
(74) *Attorney, Agent, or Firm*—Banner & Witcoff, Ltd.

(30) **Foreign Application Priority Data**  
Jun. 9, 2008 (JP) ..... 2008-014585

(57) **CLAIM**

(51) **LOC (9) Cl.** ..... **24-01**  
(52) **U.S. Cl.** ..... **D24/158**  
(58) **Field of Classification Search** ..... D24/158–161,  
D24/186; 378/4, 19–21, 23, 25, 27, 146  
See application file for complete search history.

The ornamental design for a scanner for X-ray tomography diagnosis apparatus with a nuclear medical diagnostic imaging apparatus, as shown and described.

**DESCRIPTION**

(56) **References Cited**

**U.S. PATENT DOCUMENTS**

D318,726 S \* 7/1991 Takekoshi et al. .... D24/159  
5,097,131 A 3/1992 Plummer et al.  
D345,606 S 3/1994 Perusek  
D399,958 S 10/1998 Hiramatsu  
D414,868 S 10/1999 Baars  
D417,734 S 12/1999 Benders  
D420,134 S 2/2000 Kitayama  
D432,655 S 10/2000 Benders  
6,289,073 B1 9/2001 Sasaki et al.  
6,672,760 B2 1/2004 Ishii et al.  
6,839,402 B2 1/2005 Stabe et al.  
6,914,957 B2 7/2005 Dafni et al.  
D527,105 S 8/2006 Kitayama et al.  
D557,418 S 12/2007 Onuma et al.  
D566,843 S 4/2008 Ogiwara

FIG. 1 is a front, top and right side perspective view of a scanner for X-ray tomography diagnosis apparatus with a nuclear medical diagnostic imaging apparatus showing my new design,

FIG. 2 is a front elevational view thereof,

FIG. 3 is a top plan view thereof,

FIG. 4 is a right side elevational view thereof, a left side elevational view being a mirror image thereof,

FIG. 5 is a bottom plan view thereof,

FIG. 6 is a rear elevational view thereof; and,

FIG. 7 is a reference view showing an article in use thereof.

The broken line showing of the rectangular regions on the rear of the scanner and the bed of the scanner is for environmental purposes only and forms no part of the claimed design.

**1 Claim, 4 Drawing Sheets**

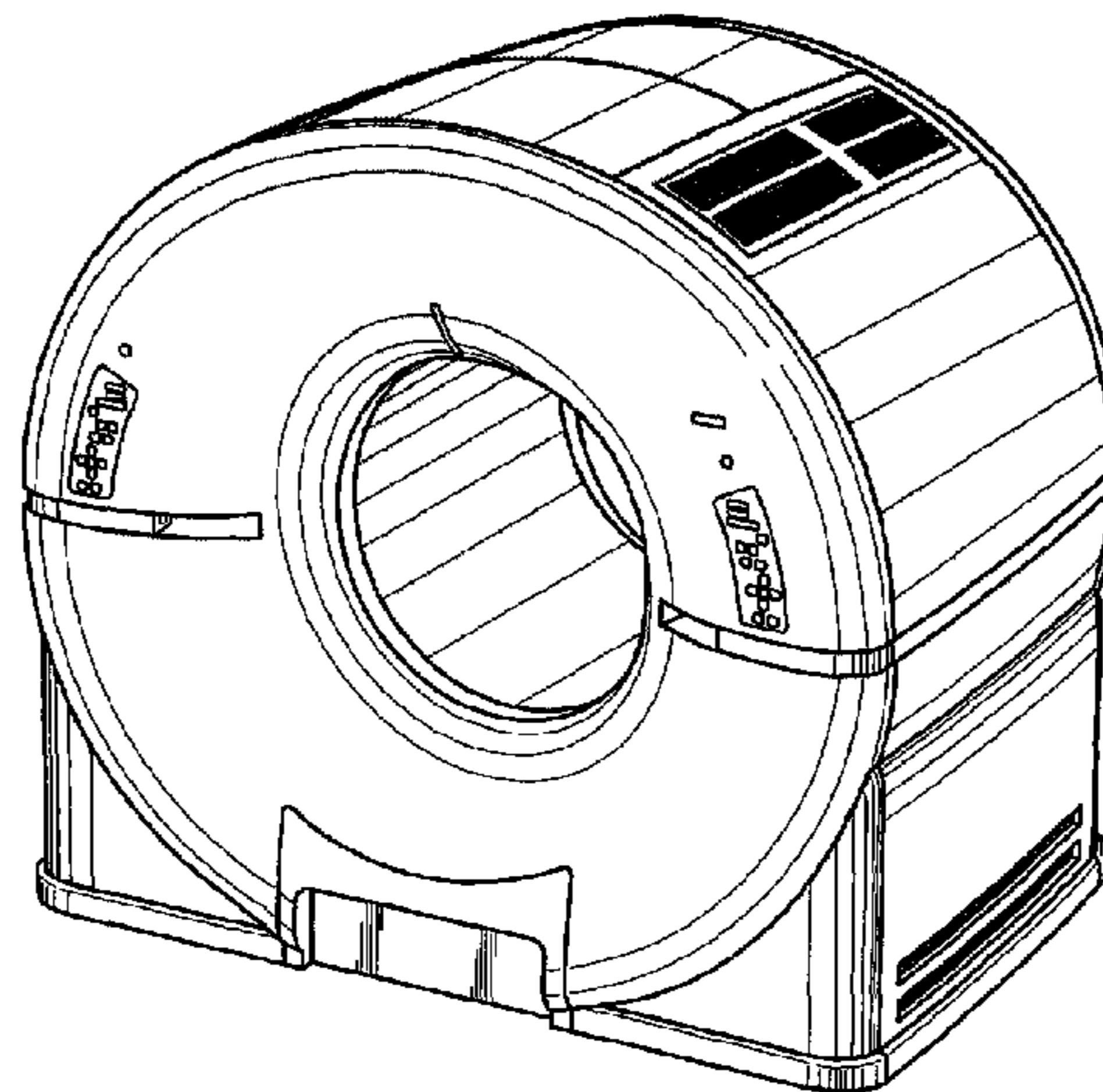


FIG. 1

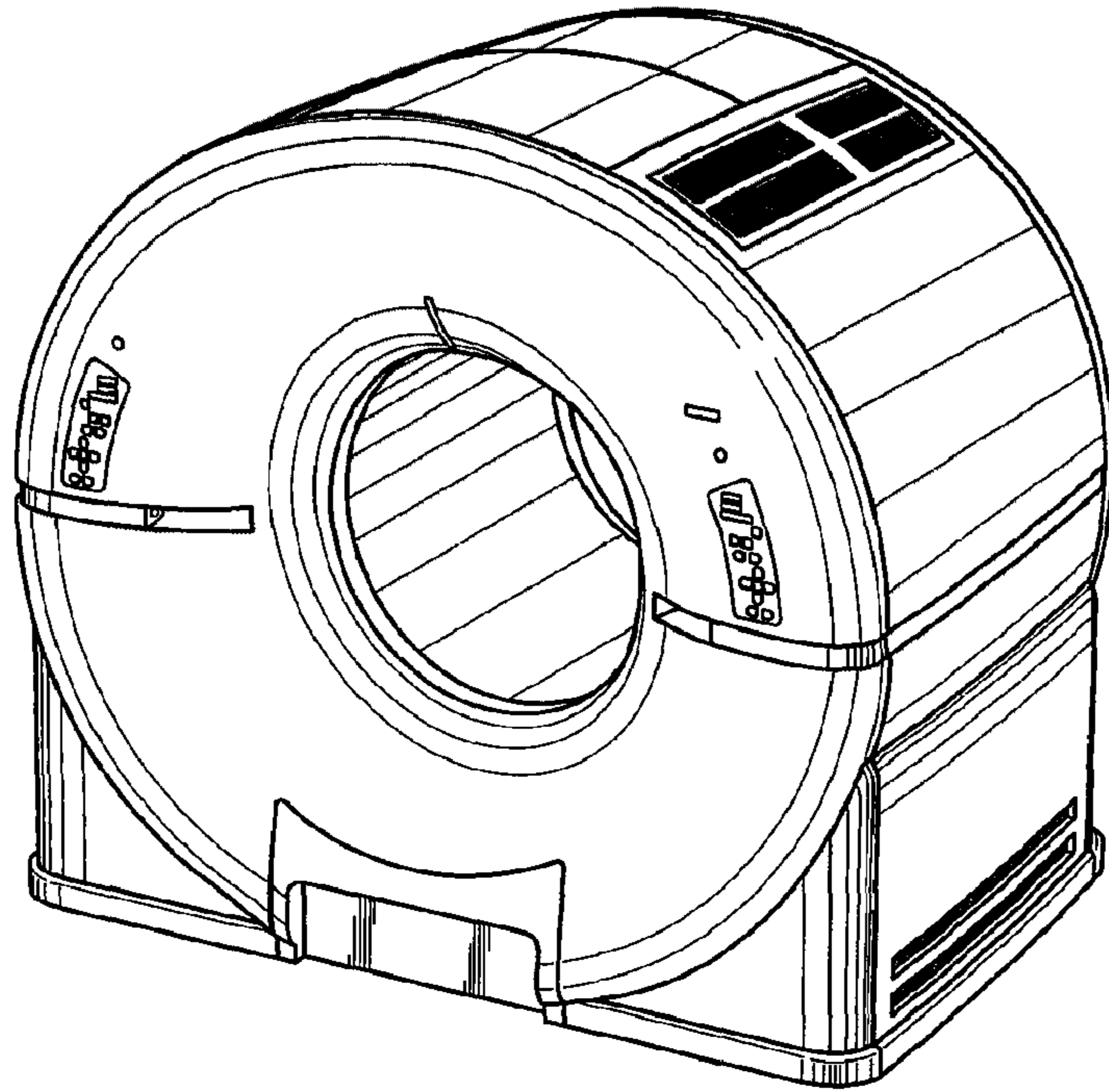


FIG. 2

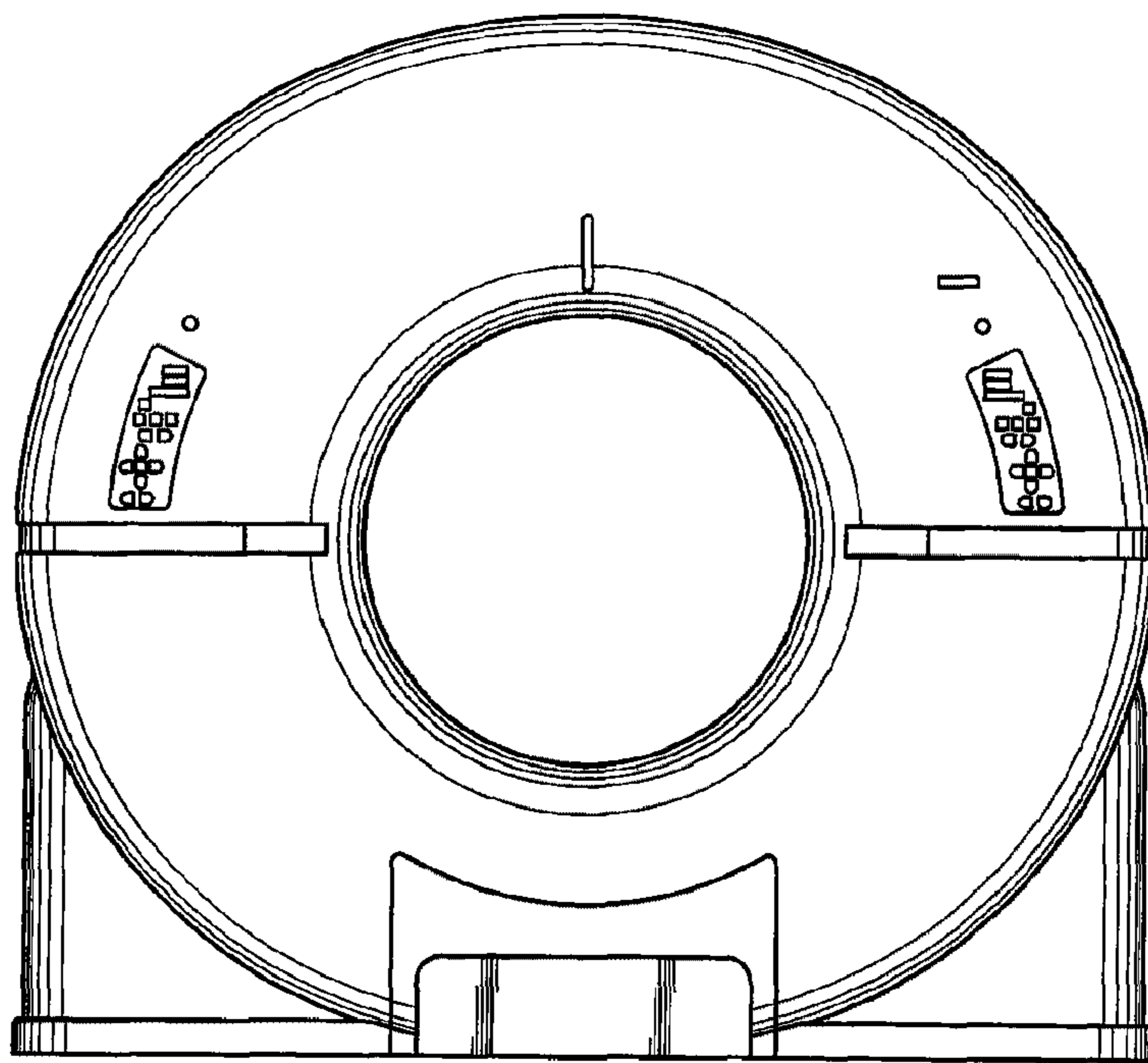


FIG. 3

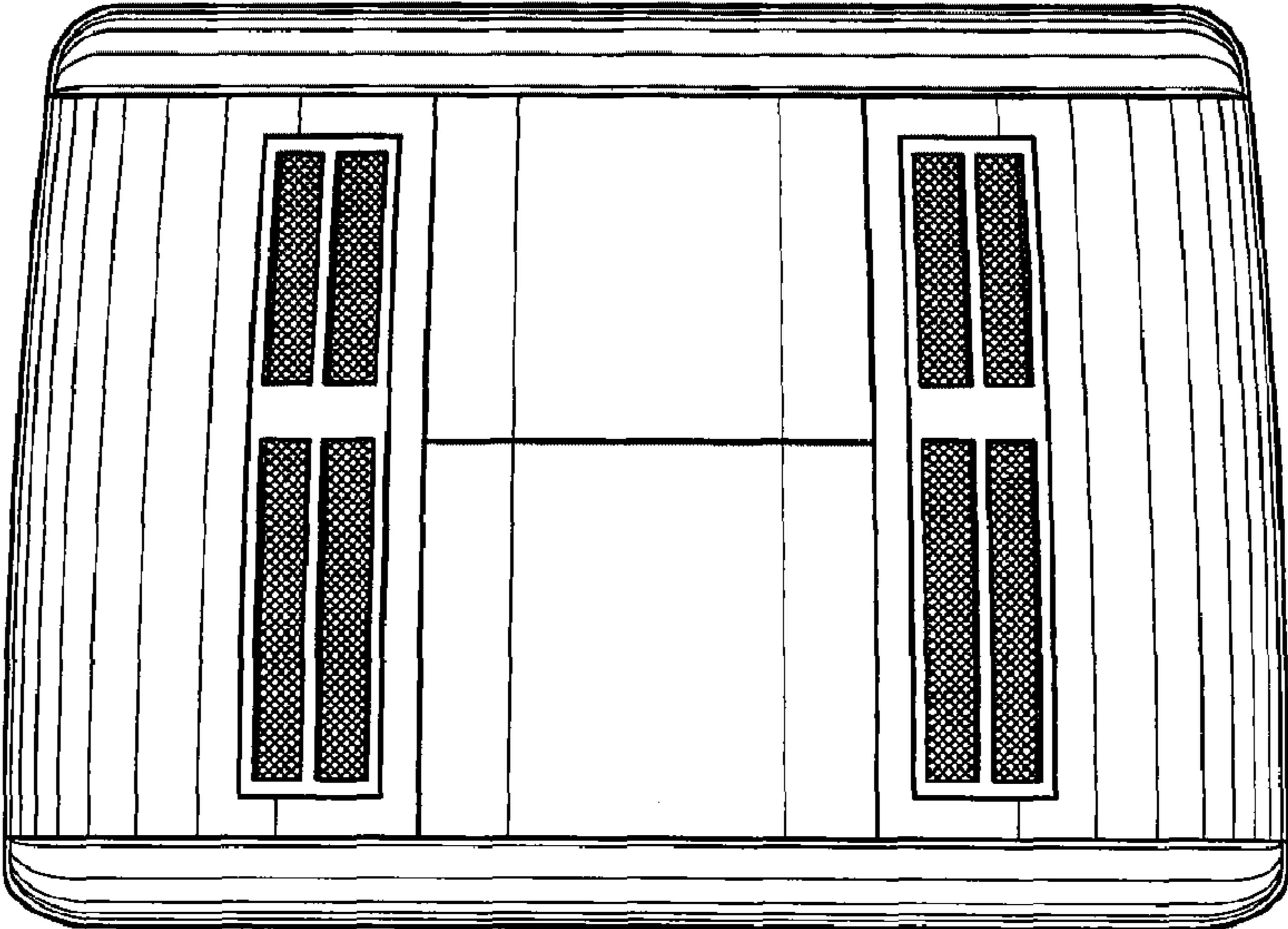


FIG. 4

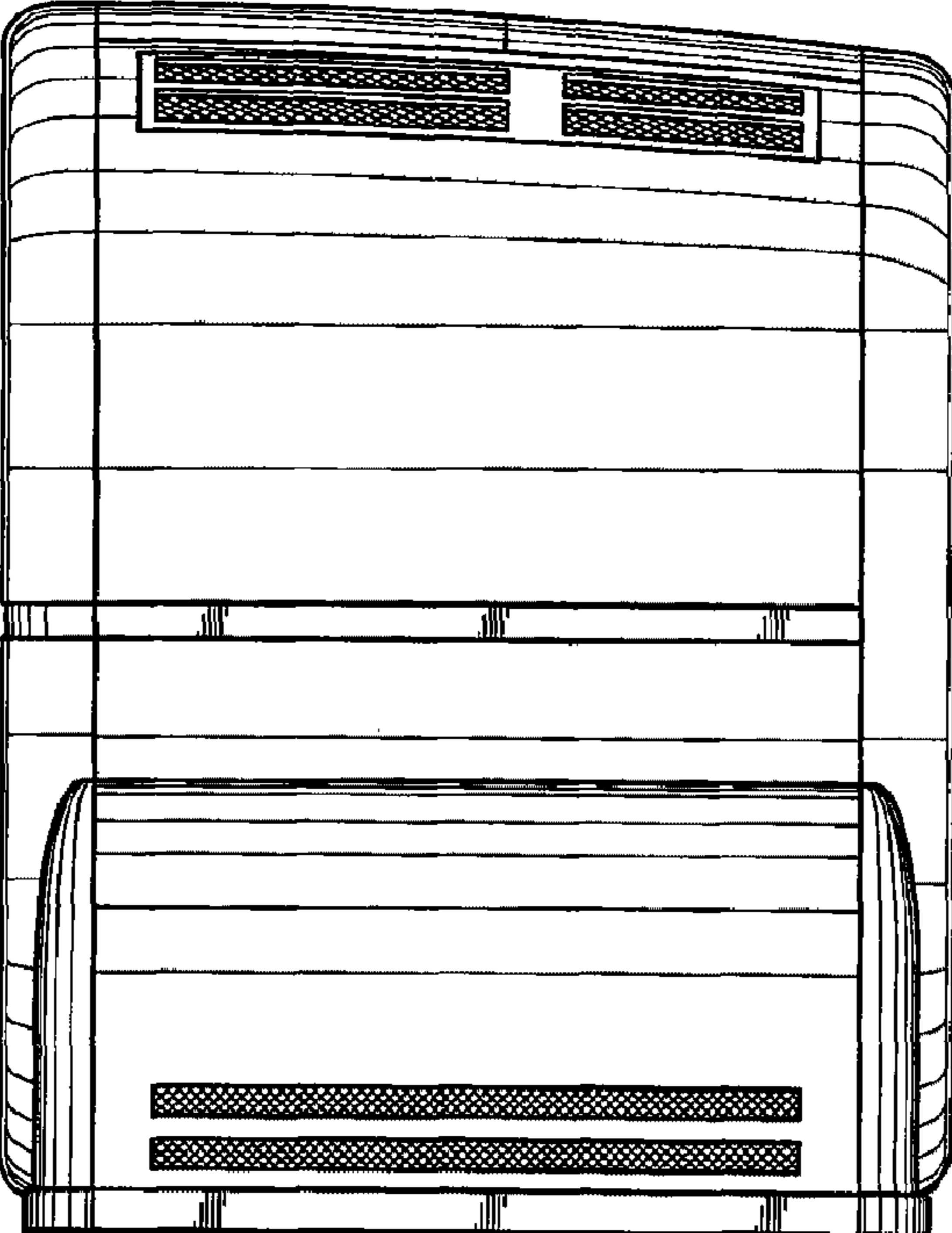


FIG. 5

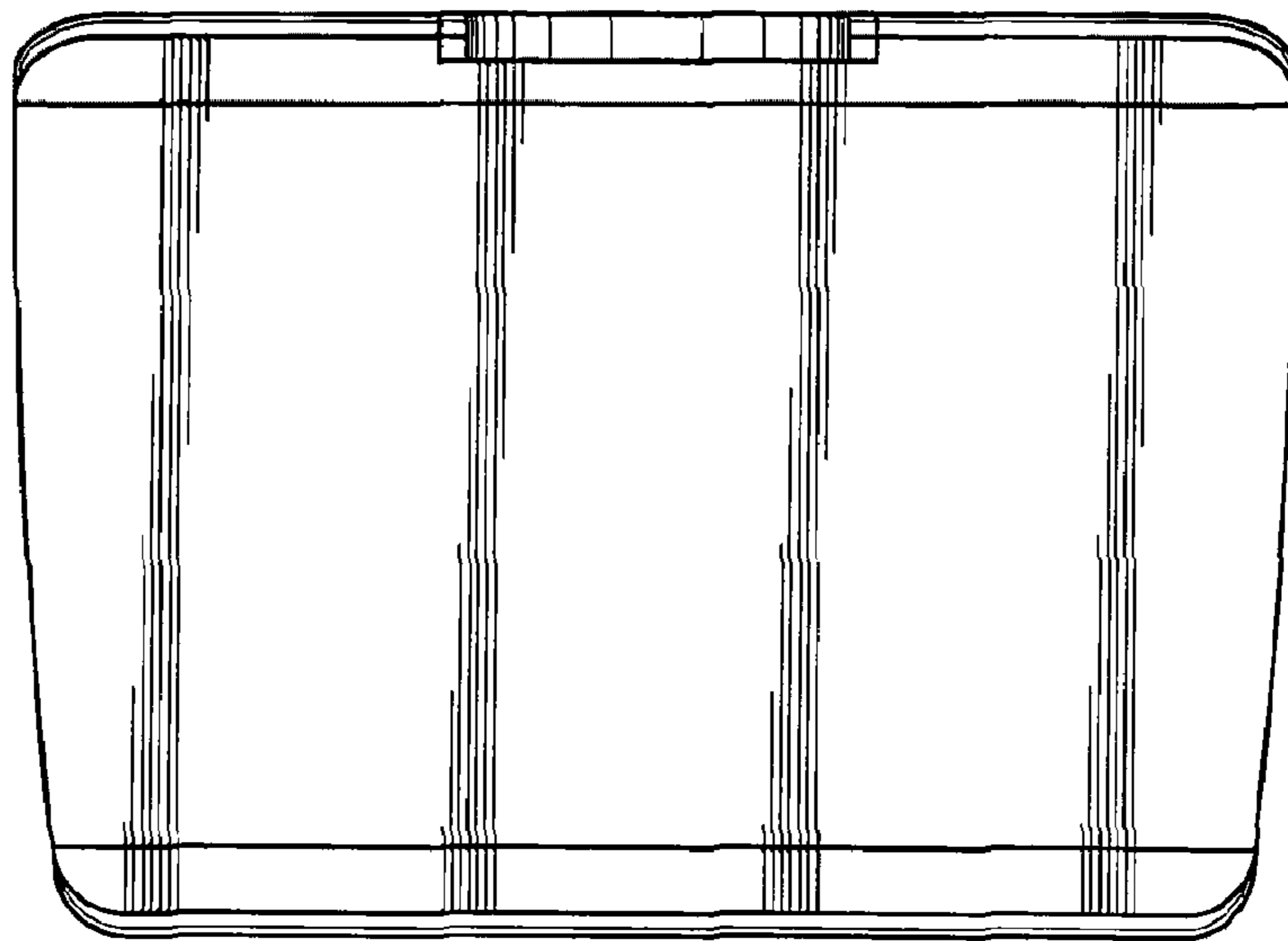


FIG. 6

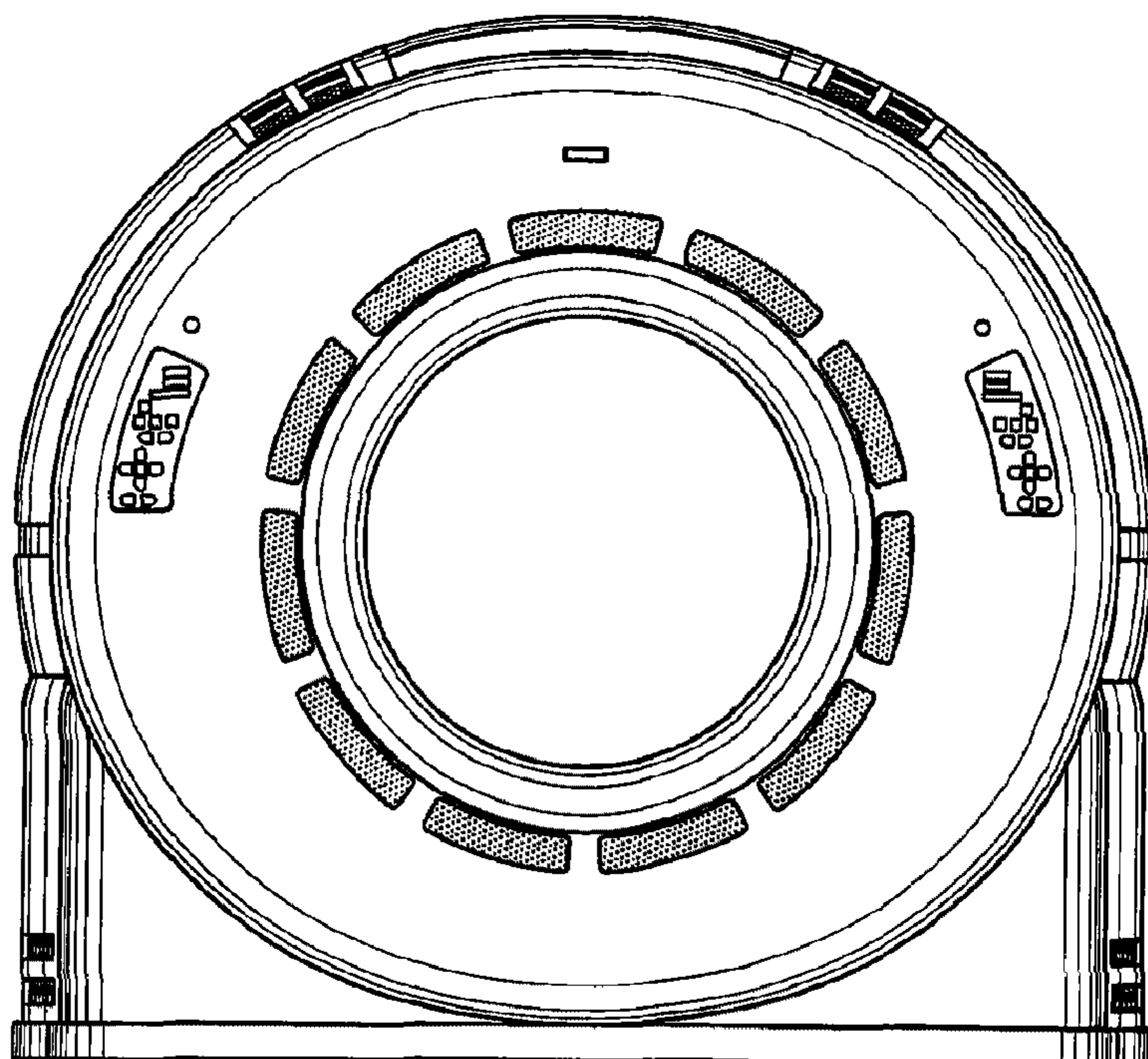
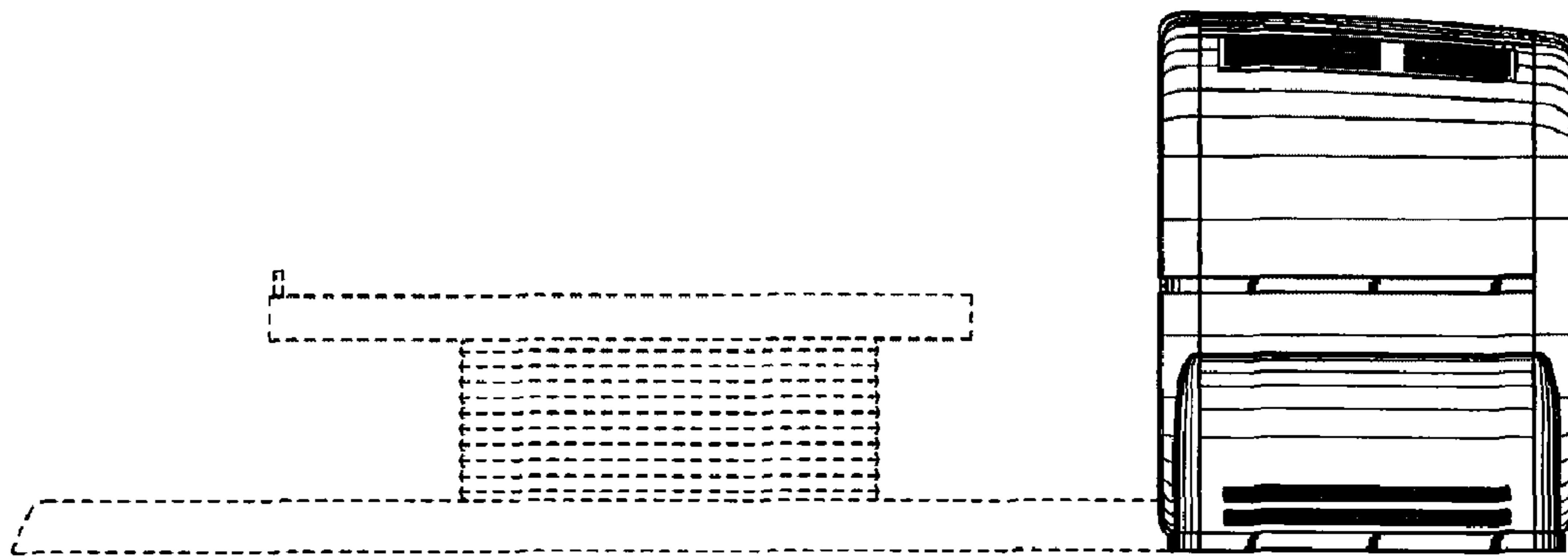


FIG. 7



UNITED STATES PATENT AND TRADEMARK OFFICE  
**CERTIFICATE OF CORRECTION**


PATENT NO. : D628,294 S  
APPLICATION NO. : 29/328852  
DATED : November 30, 2010  
INVENTOR(S) : Noriaki Baba

Page 1 of 5

It is certified that error appears in the above-identified patent and that said Letters Patent is hereby corrected as shown below:

Please replace drawings with the attached drawings

Signed and Sealed this  
Twenty-first Day of June, 2011

A handwritten signature in black ink that reads "David J. Kappos". The signature is written in a cursive style with a large initial 'D' and 'K'.

David J. Kappos  
*Director of the United States Patent and Trademark Office*

FIG. 1

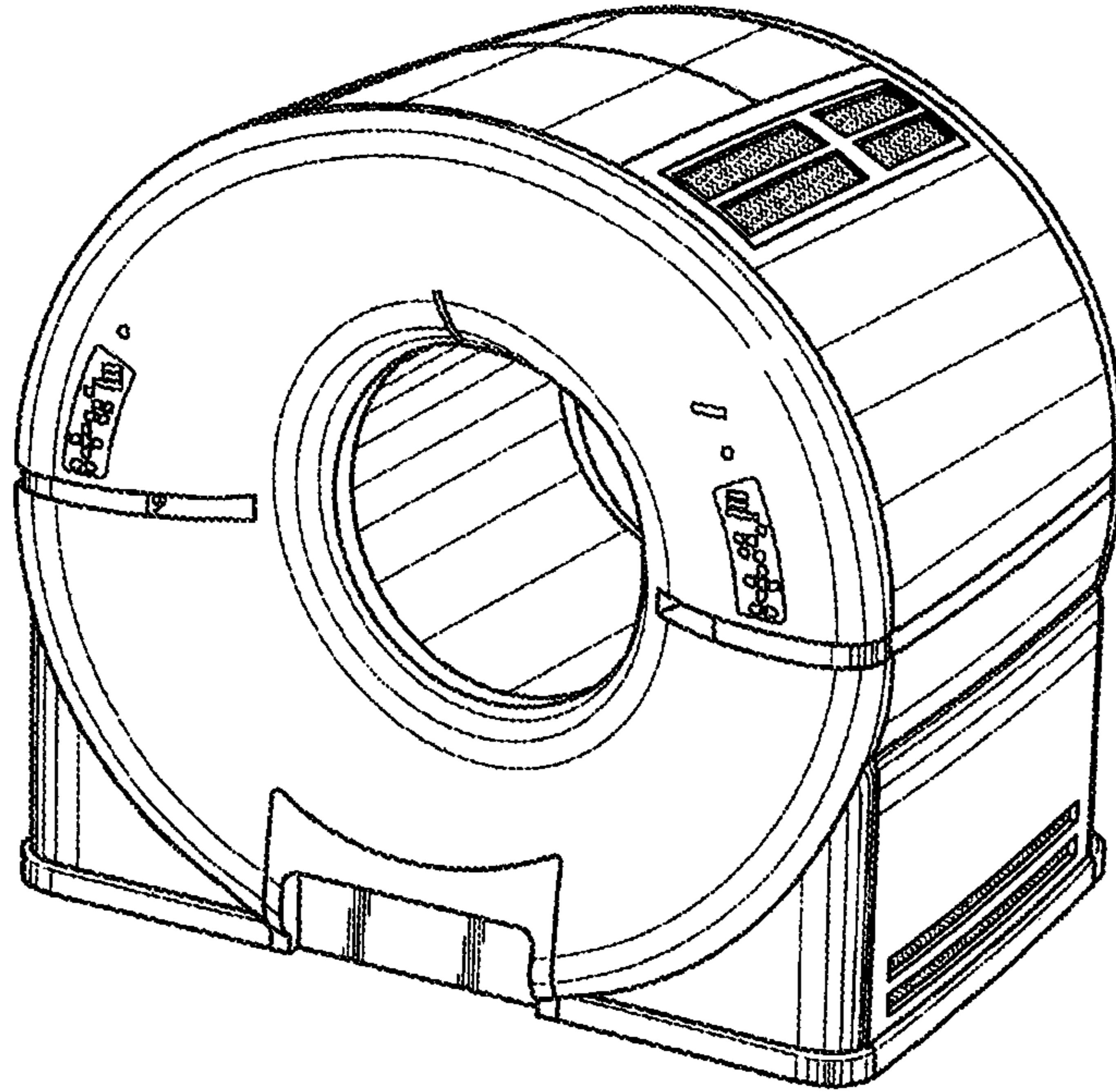


FIG. 2

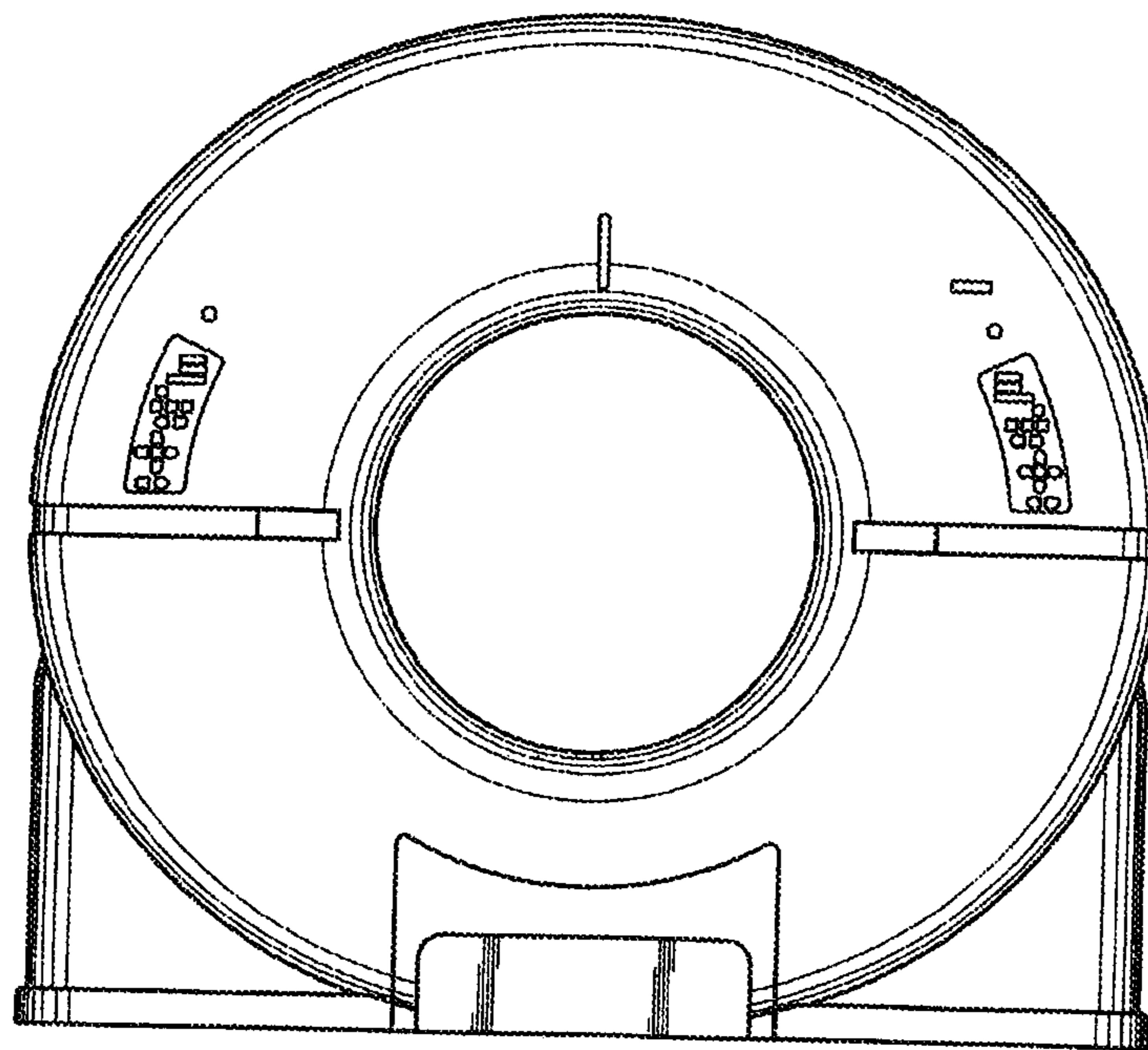


FIG. 3

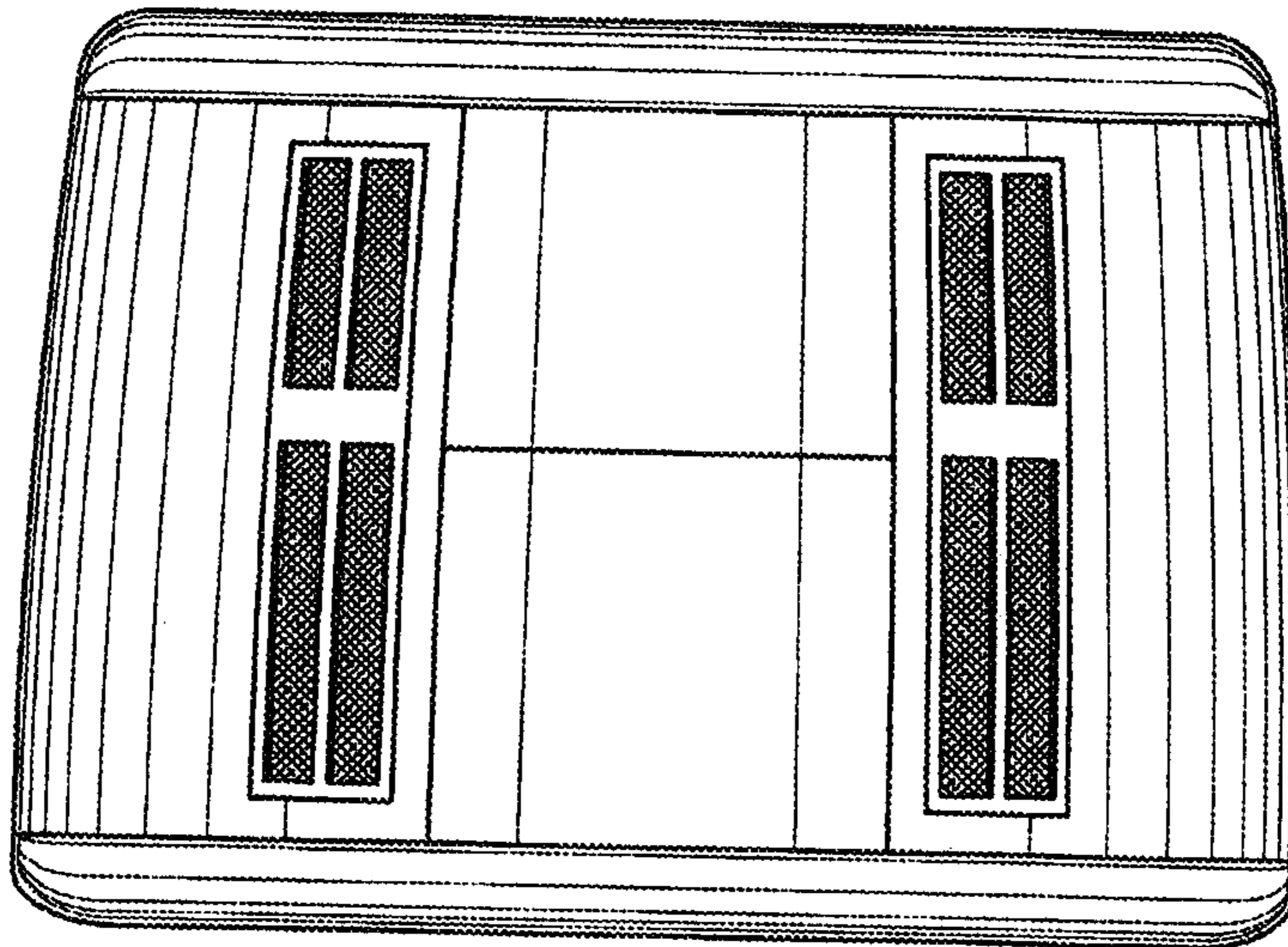


FIG. 4

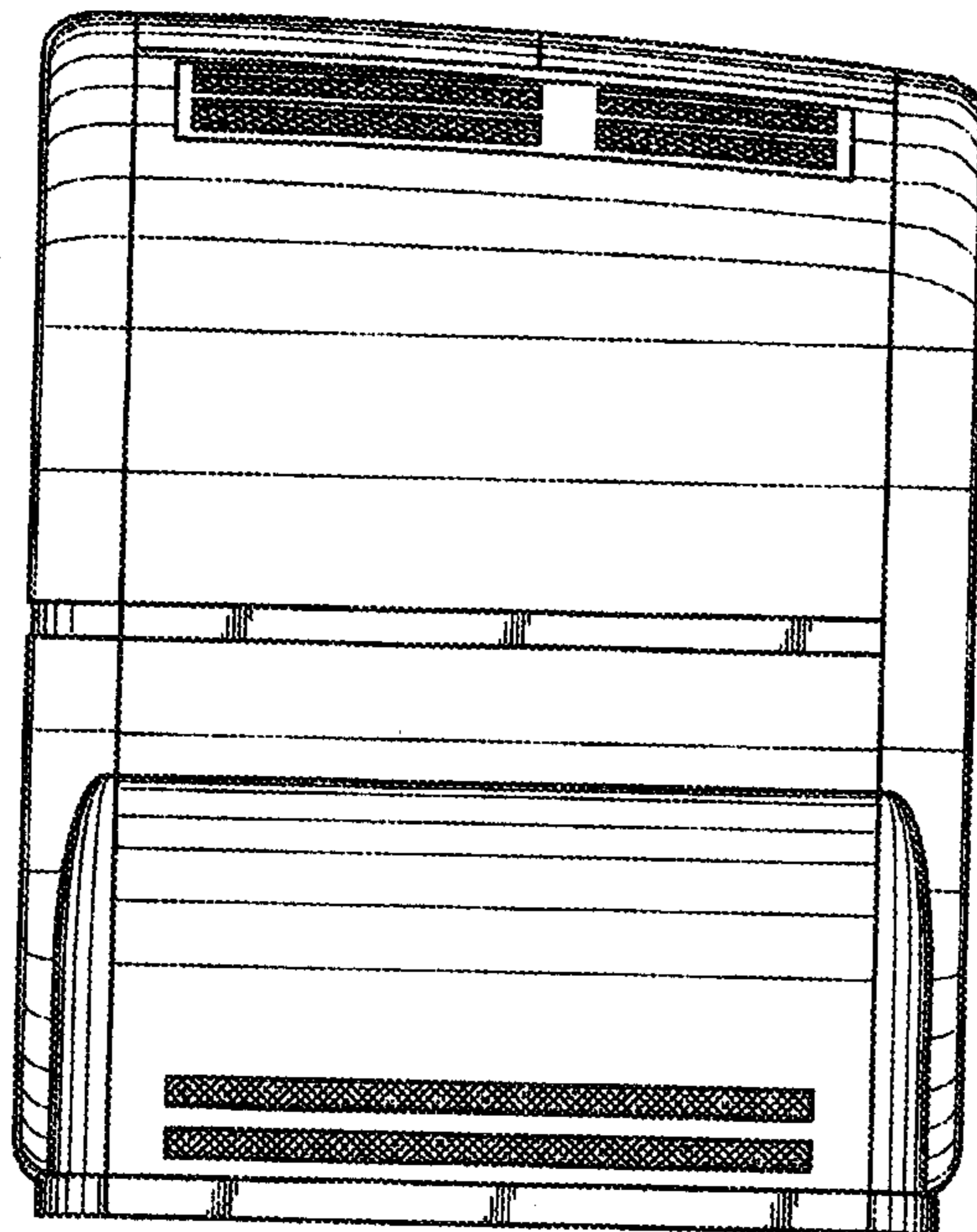




FIG. 5

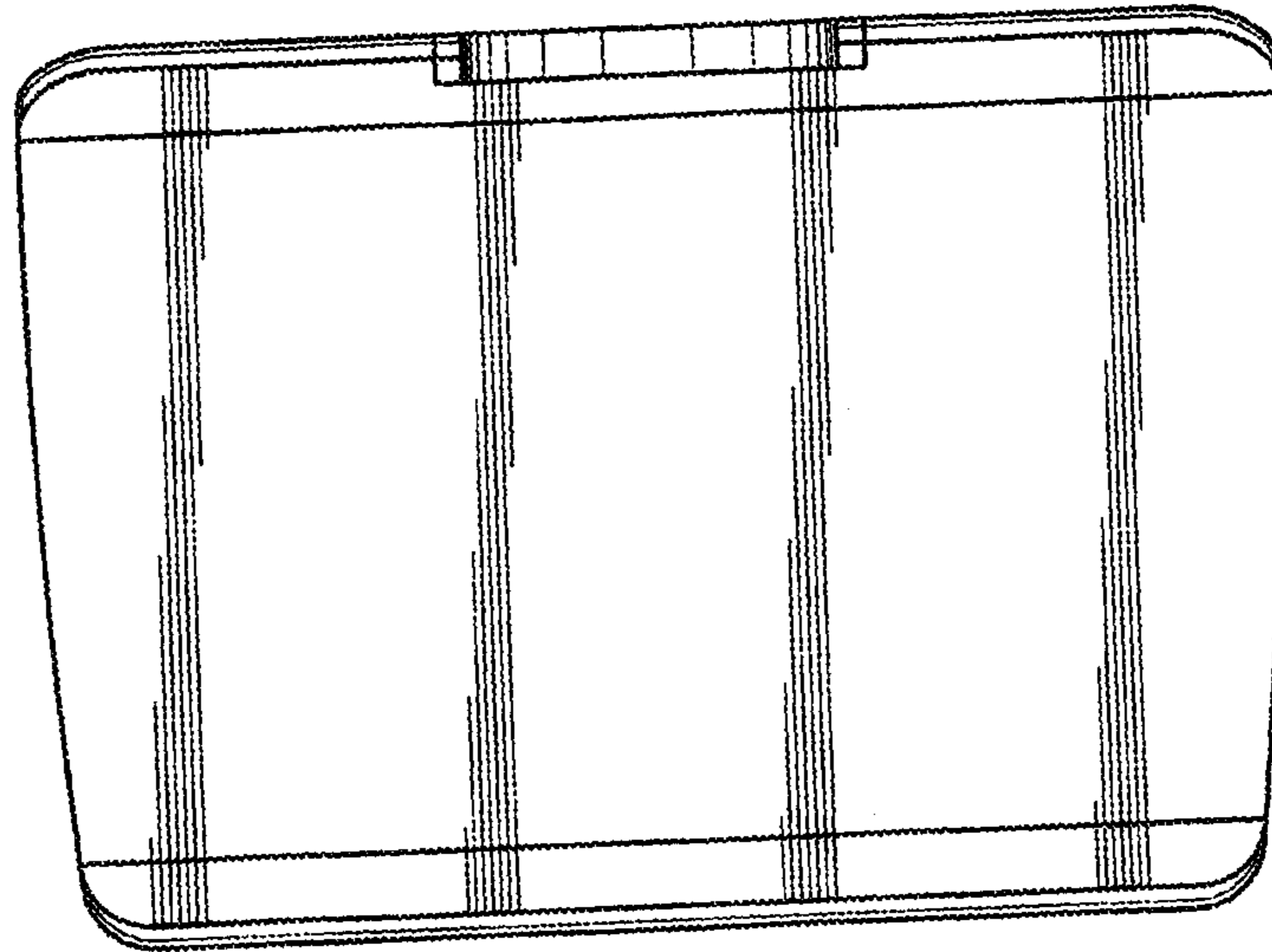


FIG. 6

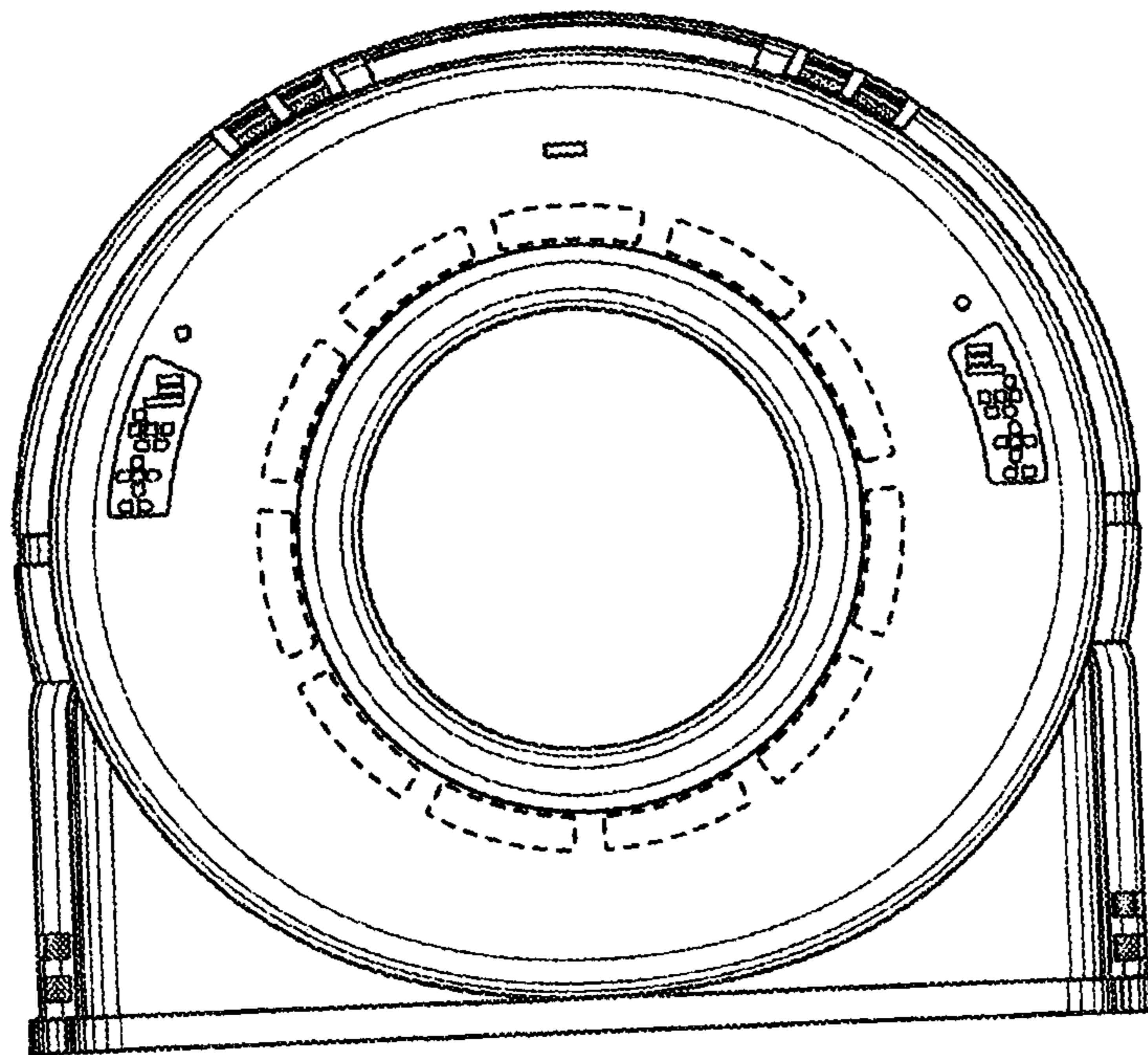


FIG. 7

