



US00D628291S

(12) **United States Design Patent**
Palmer et al.

(10) **Patent No.:** **US D628,291 S**
(45) **Date of Patent:** **** Nov. 30, 2010**

(54) **SURGICAL RETRACTOR**

(75) Inventors: **Andrew K. Palmer**, East Syracuse, NY (US); **Dale Dellacqua**, Bloomington, IN (US); **Jeffrey A. Farris**, Berne, IN (US)

(73) Assignee: **Del Palma Orthopedics, LLC**, Columbia City, IN (US)

(**) Term: **14 Years**

(21) Appl. No.: **29/354,675**

(22) Filed: **Jan. 27, 2010**

(51) **LOC (9) Cl.** **24-02**

(52) **U.S. Cl.** **D24/135**

(58) **Field of Classification Search** D24/135, D24/133, 143, 146, 147, 152, 187; 600/201, 600/214, 224, 231, 232; 606/210–213, 215–219
See application file for complete search history.

(56) **References Cited**

U.S. PATENT DOCUMENTS

D263,198 S *	3/1982	Boyd	D8/40
D285,253 S *	8/1986	Audette	D24/147
D331,461 S *	12/1992	Lester	D24/140
5,351,680 A *	10/1994	Jung	600/214
5,667,480 A *	9/1997	Knight et al.	600/210
6,083,153 A *	7/2000	Rullo et al.	600/217
6,241,658 B1 *	6/2001	Goodrich	600/210
D453,377 S *	2/2002	Schollhorn et al.	D24/135
D586,914 S *	2/2009	DaSilva	D24/135
D615,198 S *	5/2010	Mao et al.	D24/135

2005/0096646 A1 *	5/2005	Wellman et al.	606/41
2007/0208226 A1 *	9/2007	Grey et al.	600/212
2009/0012370 A1 *	1/2009	Gutierrez et al.	600/201

* cited by examiner

Primary Examiner—Bridget L Eland

(74) *Attorney, Agent, or Firm*—John W. Boger; Heslin Rothenberg Farley & Mesiti P.C.

(57) **CLAIM**

The ornamental design for a surgical retractor, as shown and described.

DESCRIPTION

FIG. 1 is a perspective view of a surgical retractor comprising the new design;

FIG. 2 is a left side elevational view of the design of FIG. 1, where the right side elevational view is a mirror image thereof;

FIG. 3 is a top plan view of the design of FIG. 1;

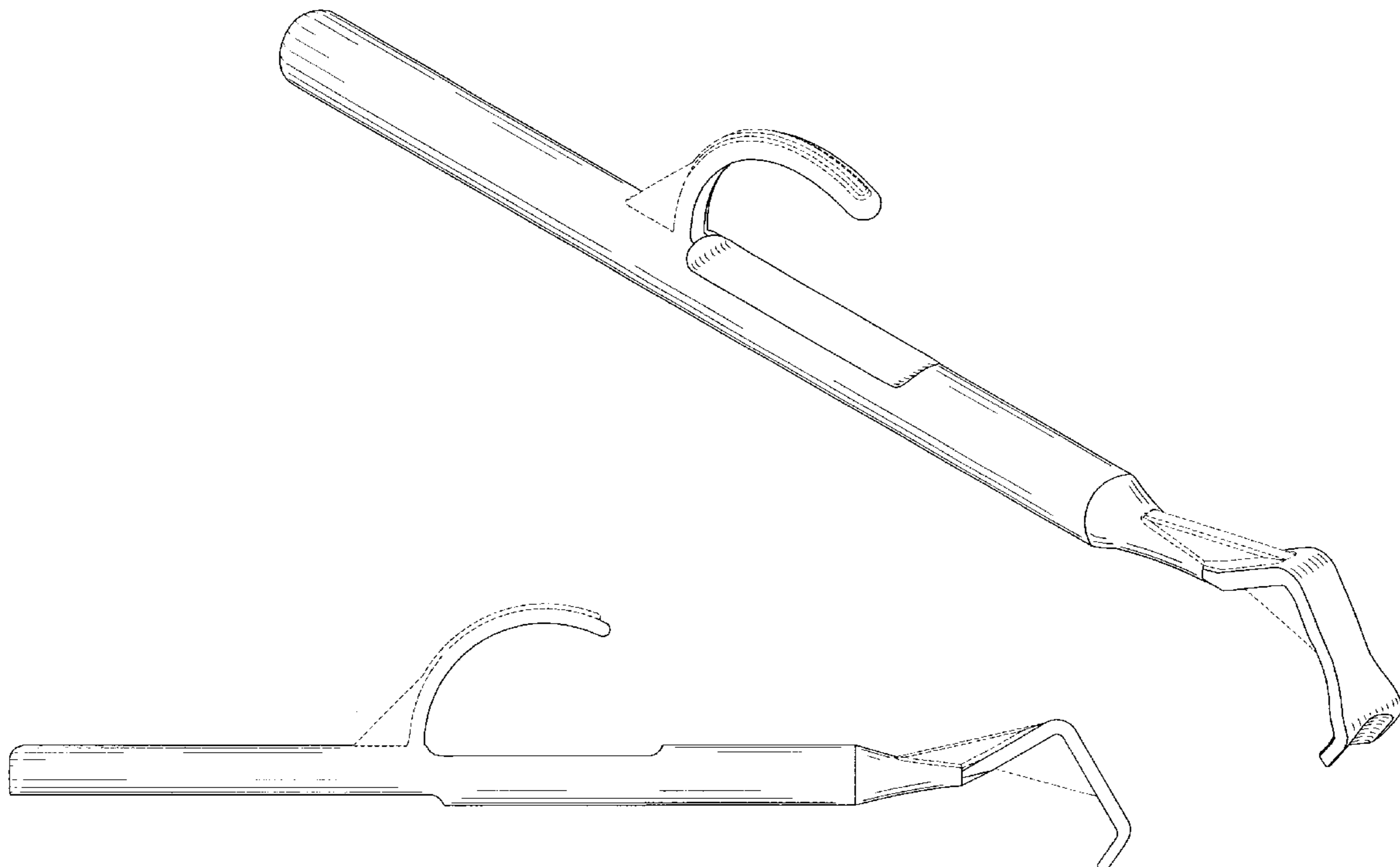
FIG. 4 is a bottom plain view of the design of FIG. 1;

FIG. 5 is a front elevational view of the design of FIG. 1; and,

FIG. 6 is a rear elevational view of the design of FIG. 1.

The broken lines immediately adjacent the claimed areas represent the bounds of the claimed design while all other broken lines are directed to environment and are for illustrative purposes only; the broken lines form no part of the claimed design.

1 Claim, 4 Drawing Sheets



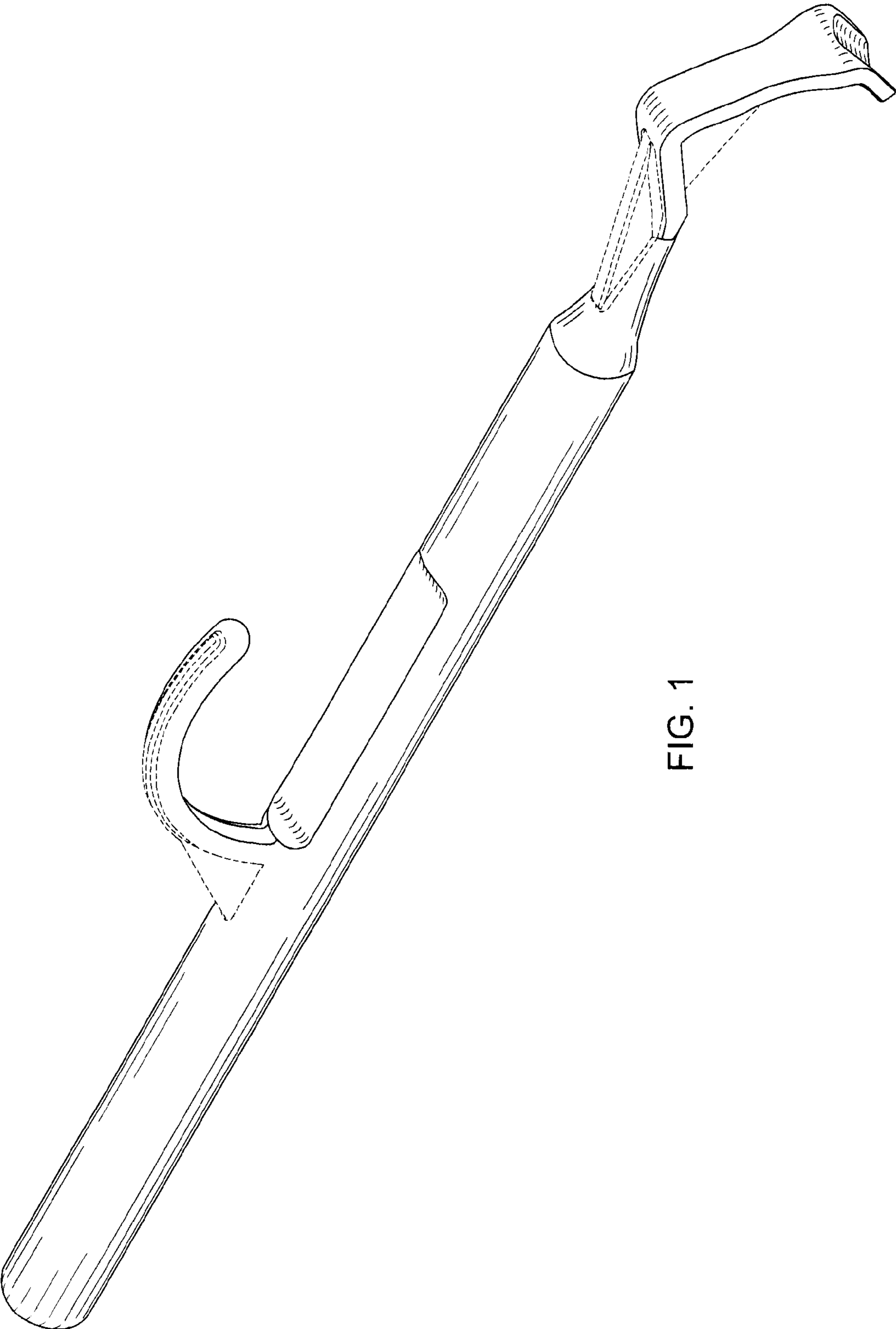


FIG. 1

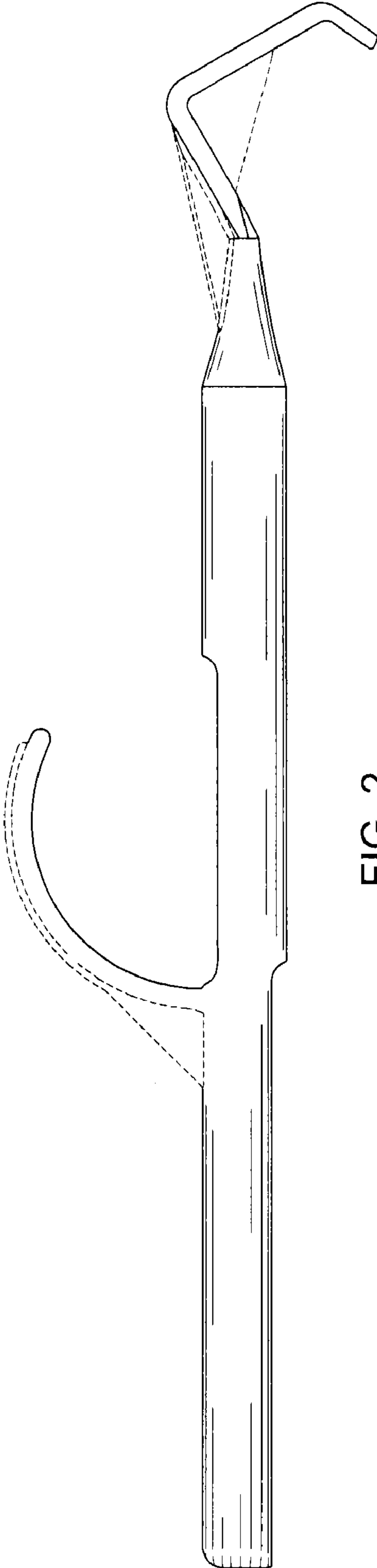


FIG. 2

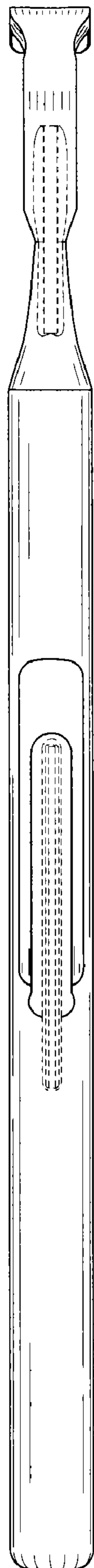


FIG. 3

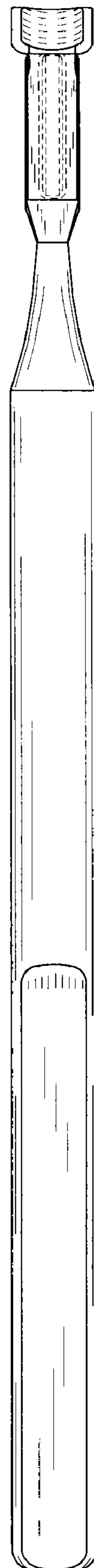


FIG. 4

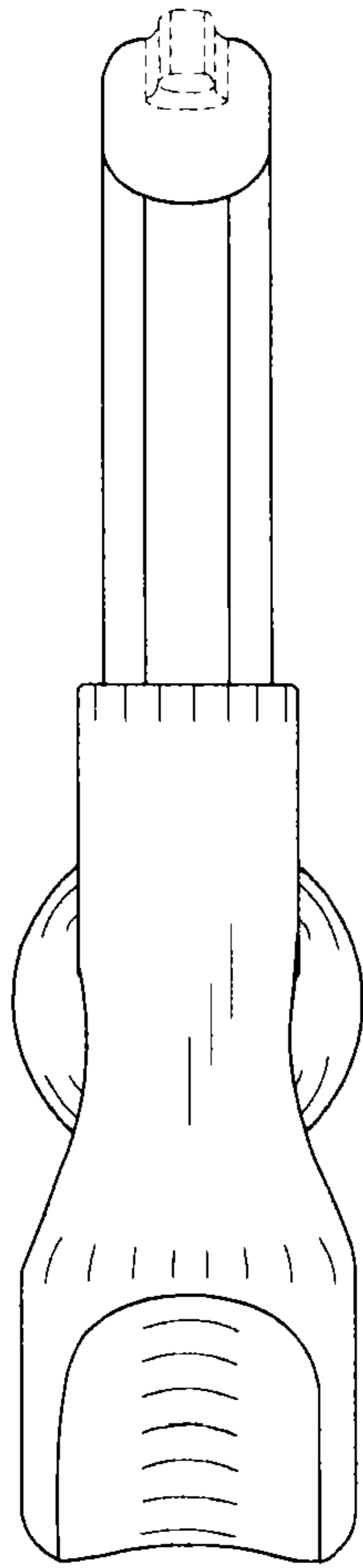


FIG. 5

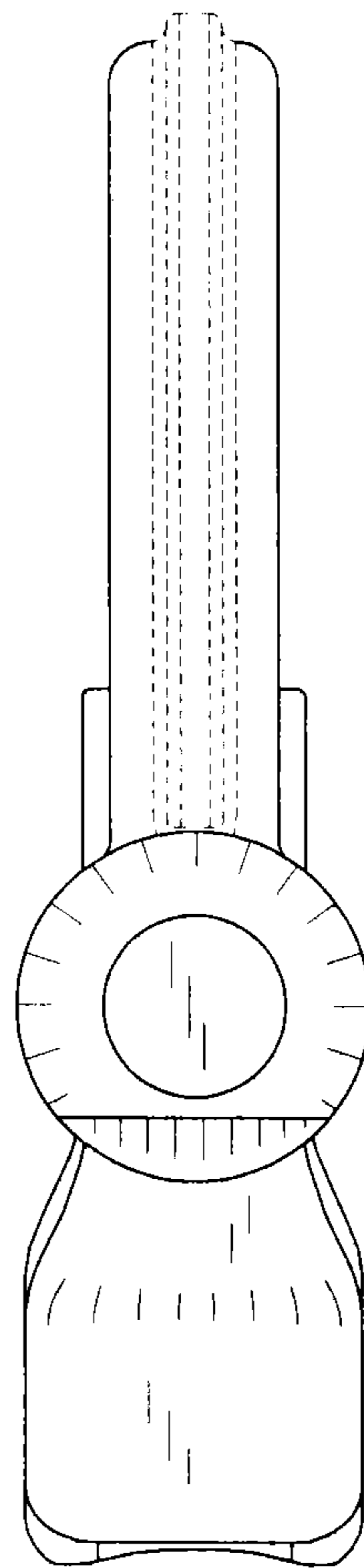


FIG. 6