



US00D628285S

(12) **United States Design Patent**
Fabregas et al.

(10) **Patent No.:** **US D628,285 S**

(45) **Date of Patent:** **** Nov. 30, 2010**

(54) **EVAPORATOR**

(75) Inventors: **Ruben Garcia Fabregas**, Barcelona (ES); **Daniel Tebe Poves**, Barcelona (ES); **David Moreno Perez**, Barcelona (ES)

(73) Assignee: **Zobebe Espana, S.A.** (ES)

(**) Term: **14 Years**

(21) Appl. No.: **29/363,105**

(22) Filed: **Jun. 4, 2010**

D485,340 S *	1/2004	Wu	D23/366
D485,341 S *	1/2004	Wu	D23/366
D511,823 S *	11/2005	Caserta et al.	D23/366
6,976,637 B2 *	12/2005	Massimo	239/44
D529,162 S *	9/2006	Bulsink	D23/366
D534,265 S *	12/2006	Weggelaar	D23/366
D535,001 S *	1/2007	Caserta et al.	D23/366
D535,734 S *	1/2007	Caserta et al.	D23/366
D544,951 S *	6/2007	Zobebe	D23/366
D551,750 S *	9/2007	Wefler	D23/366
D561,319 S *	2/2008	Weggelaar	D23/366
D568,455 S *	5/2008	Friedman et al.	D23/366
D574,941 S *	8/2008	Weggelaar	D23/366
D586,900 S *	2/2009	Weggelaar	D23/366
2007/0119963 A1 *	5/2007	DiBello et al.	239/34

* cited by examiner

Related U.S. Application Data

(62) Division of application No. 29/337,372, filed on May 20, 2009.

Primary Examiner—Sandra Snapp

(74) *Attorney, Agent, or Firm*—Cantor Colburn LLP

(30) **Foreign Application Priority Data**

Nov. 21, 2008 (EP) 001042899

(57) **CLAIM**

I claim, the ornamental design for an evaporator, as shown and described.

(51) **LOC (9) Cl.** **28-99**

(52) **U.S. Cl.** **D23/366**

(58) **Field of Classification Search** D23/355-369; D28/5, 6; 261/DIG. 17, DIG. 42, DIG. 65, 261/DIG. 88, DIG. 89; 392/386, 390, 391, 392/392, 394, 395; 239/34, 35, 43-45, 53, 239/56, 57, 60, 326

DESCRIPTION

FIG. 1 is a front perspective view of an evaporator showing my new design;

FIG. 2 is a front elevation view thereof;

FIG. 3 is a side elevation view thereof;

FIG. 4 is top plan view thereof;

FIG. 5 is a rear elevation view thereof;

FIG. 6 is an opposite side elevation view thereof;

FIG. 7 is a bottom view thereof; and,

FIG. 8 is a rear perspective view thereof.

The broken lines shown in the drawings are for illustrative purposes only and form no part of the claimed design.

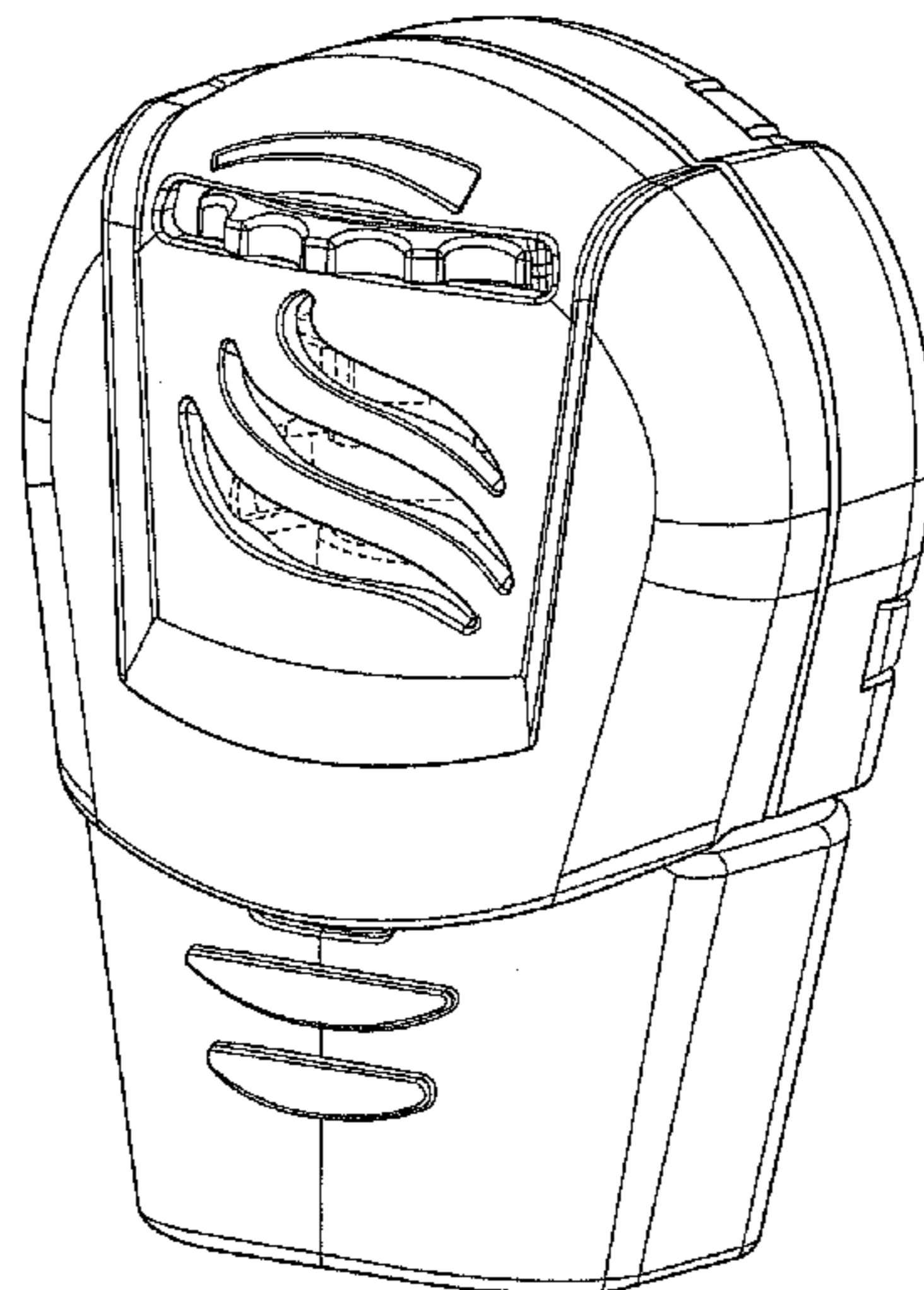
See application file for complete search history.

(56) **References Cited**

U.S. PATENT DOCUMENTS

D437,636 S *	2/2001	Basaganas	D23/366
D465,019 S *	10/2002	Wu	D23/366
D477,660 S *	7/2003	Pampalona Gelonch et al.	D23/368
D480,792 S *	10/2003	Millan	D23/366
D481,787 S *	11/2003	Millan	D23/366

1 Claim, 8 Drawing Sheets



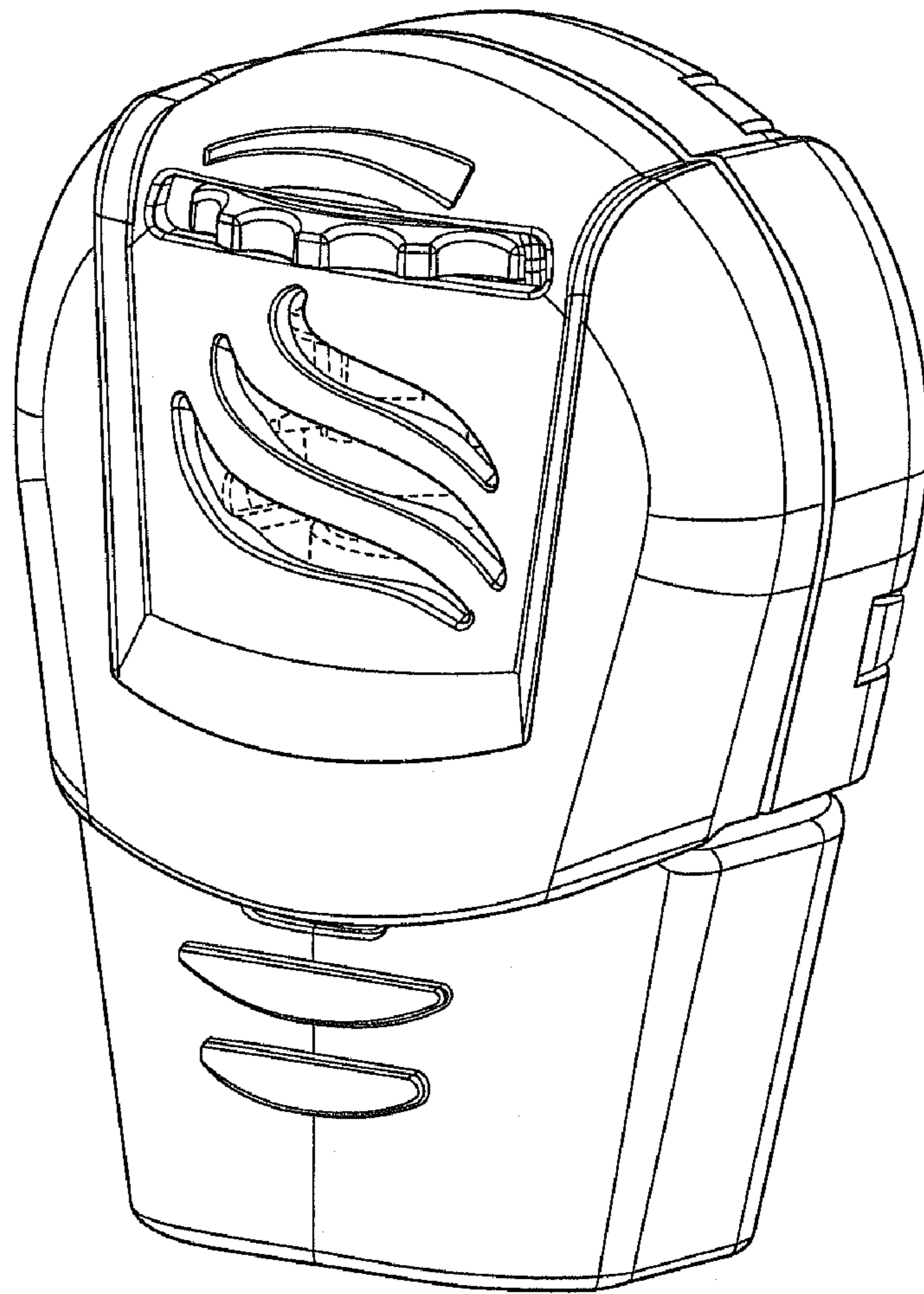


FIG. 1

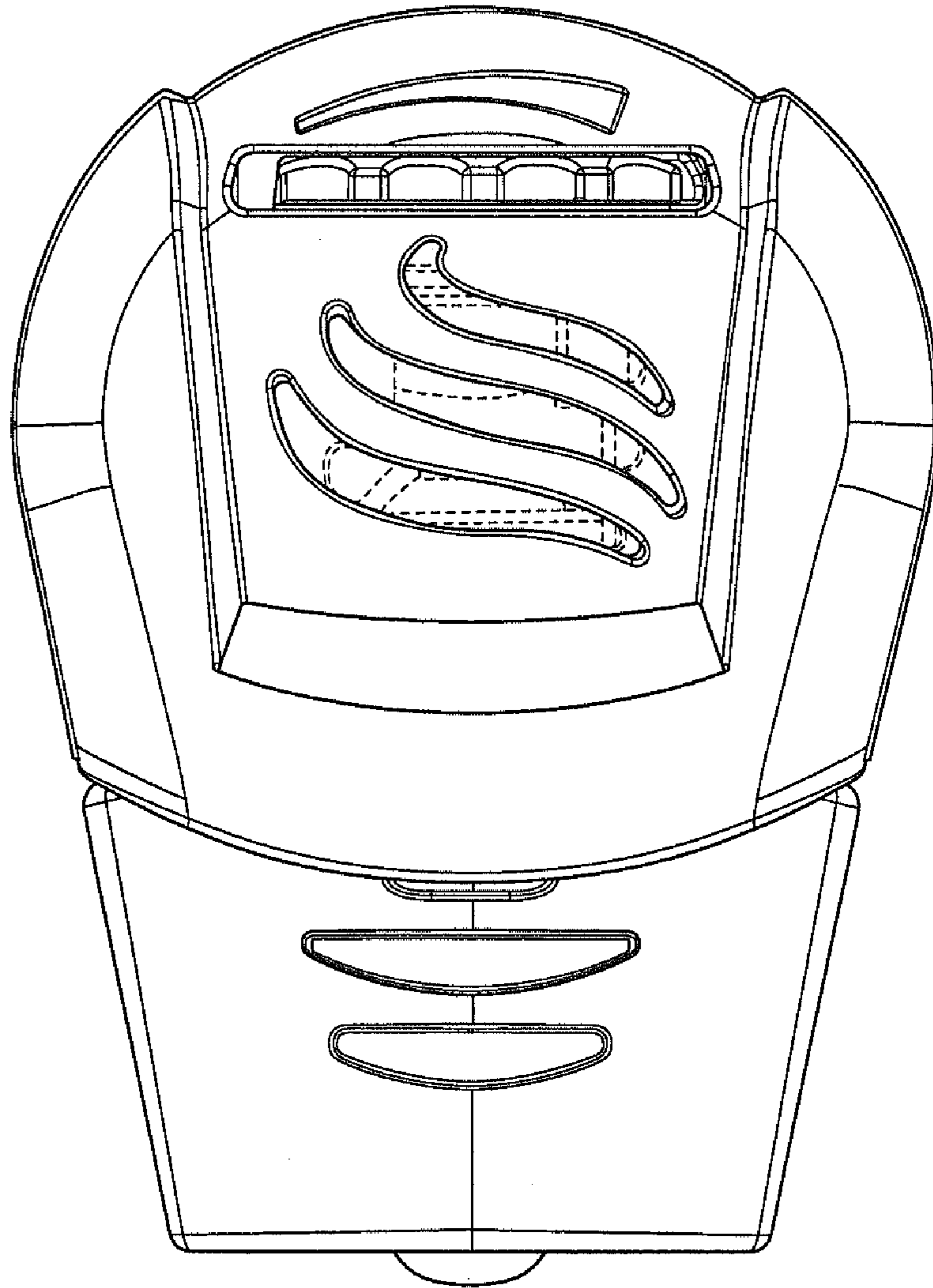


FIG. 2

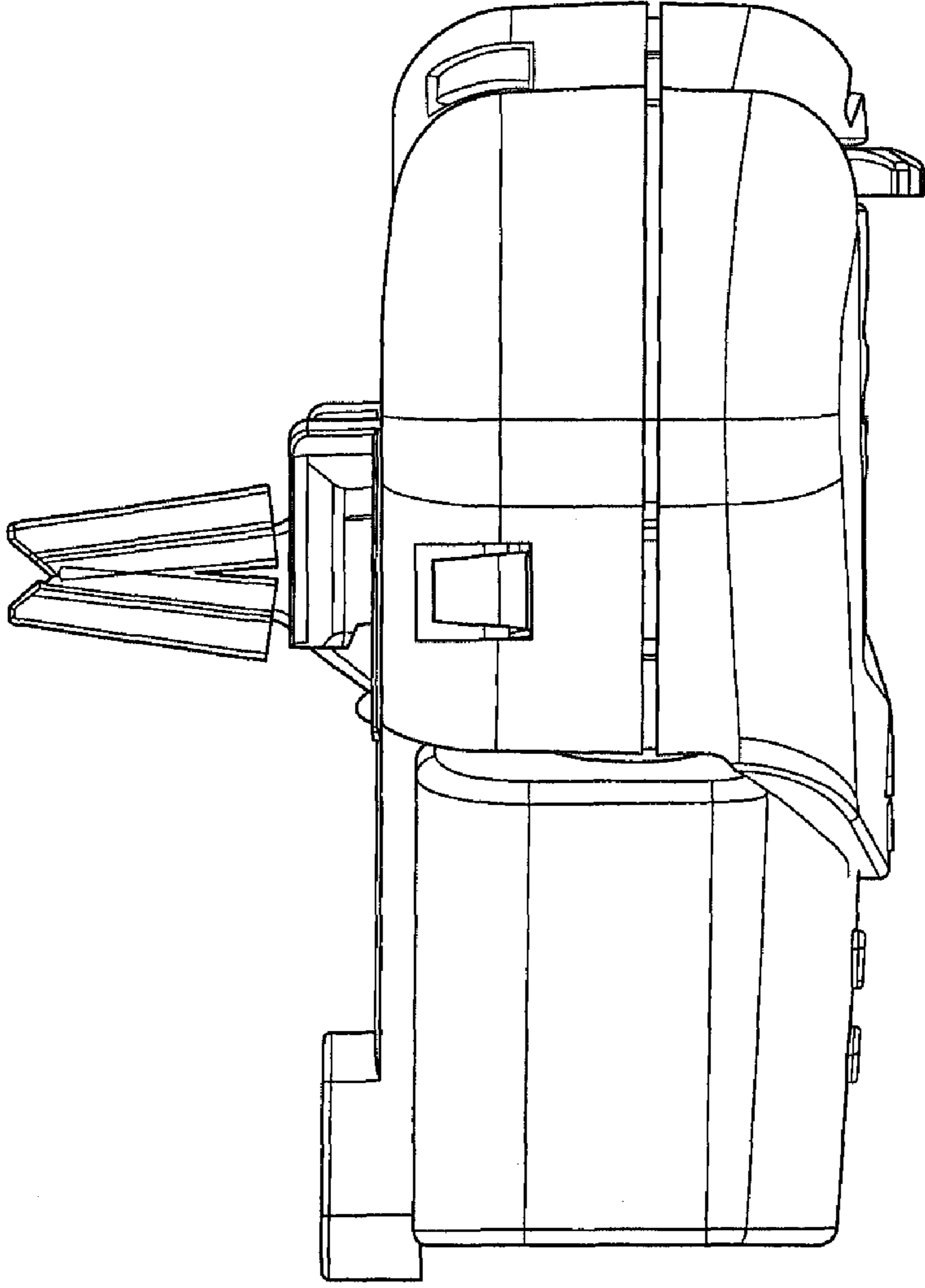


FIG. 3

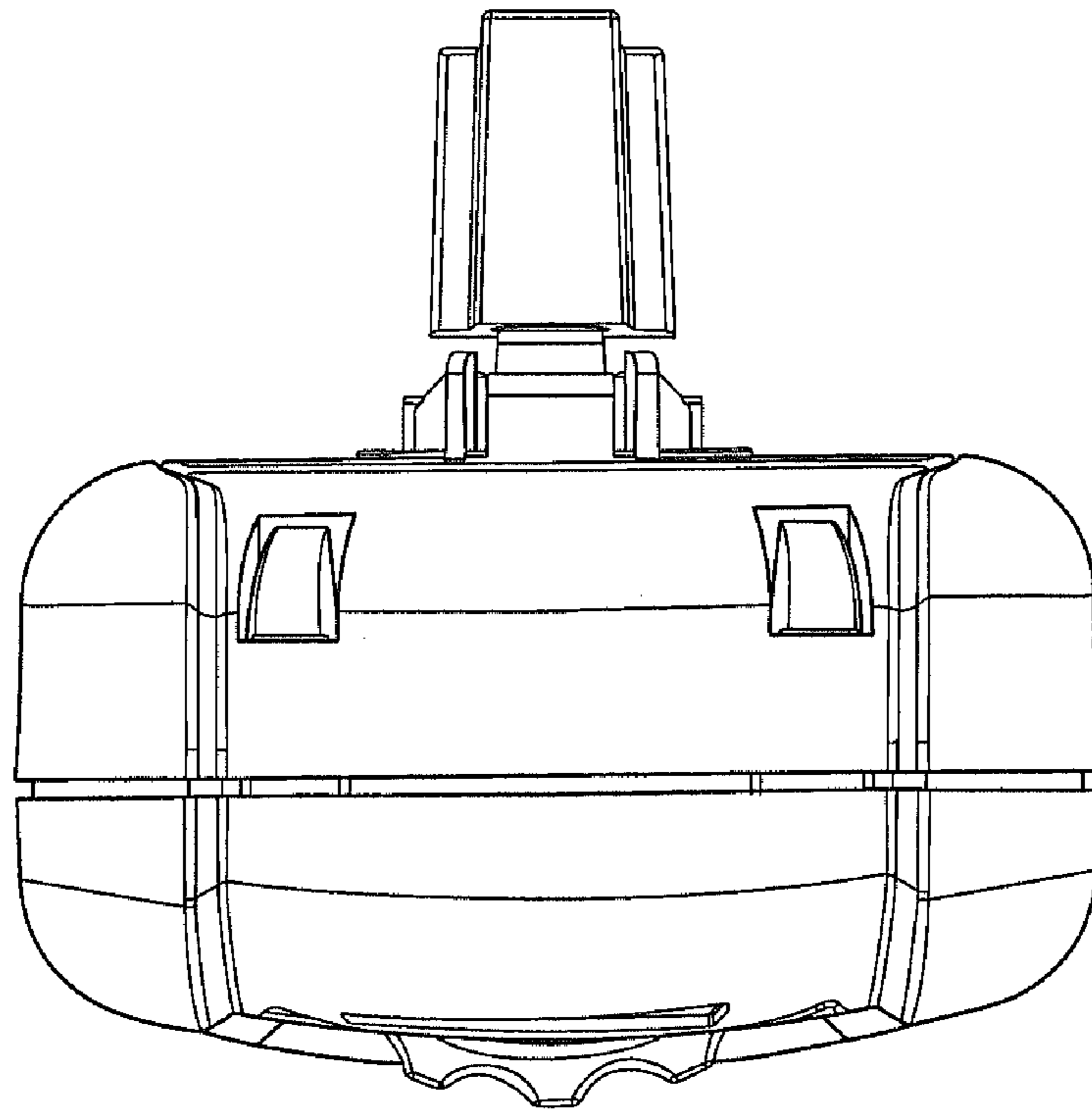


FIG. 4

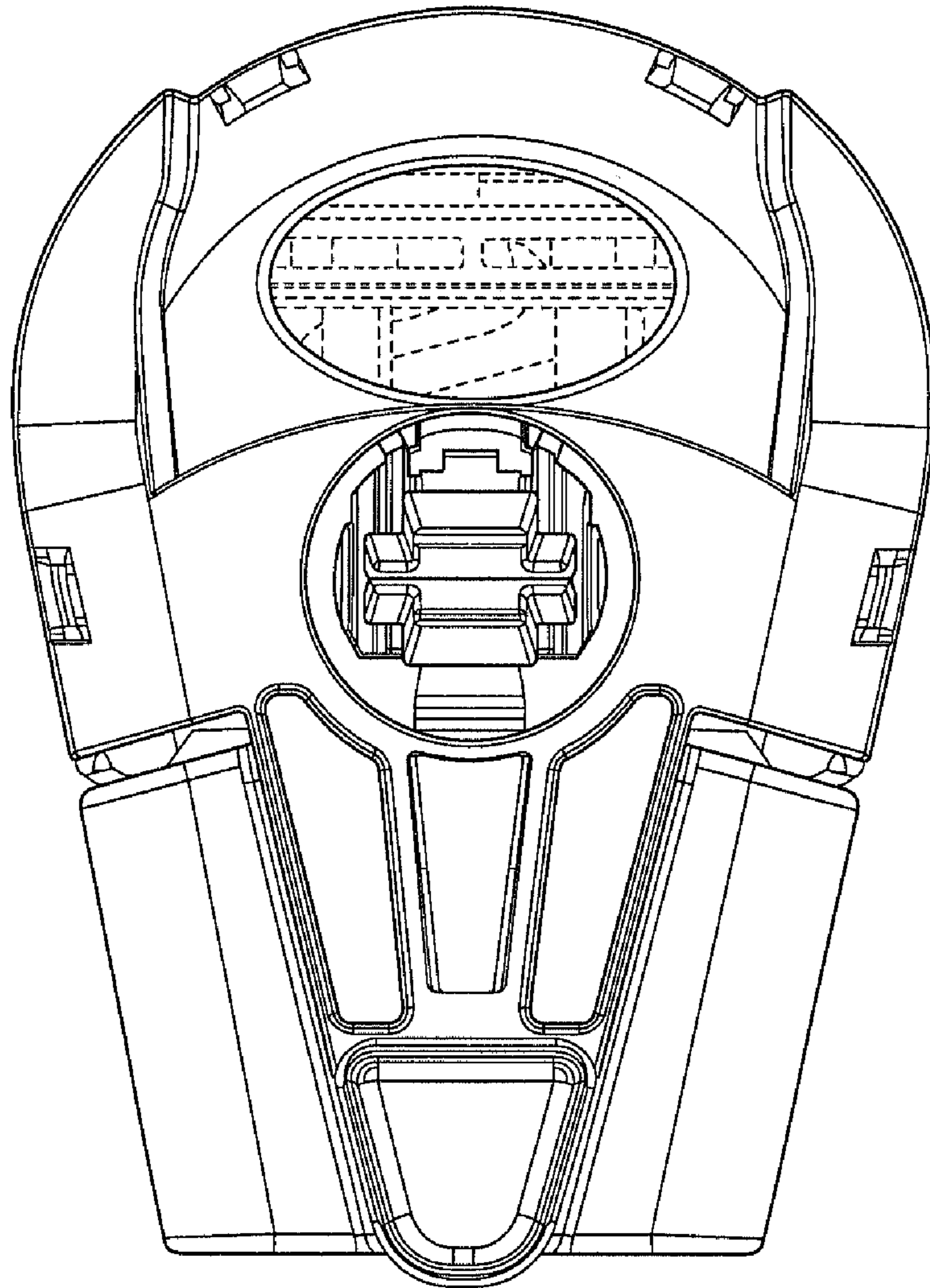


FIG. 5

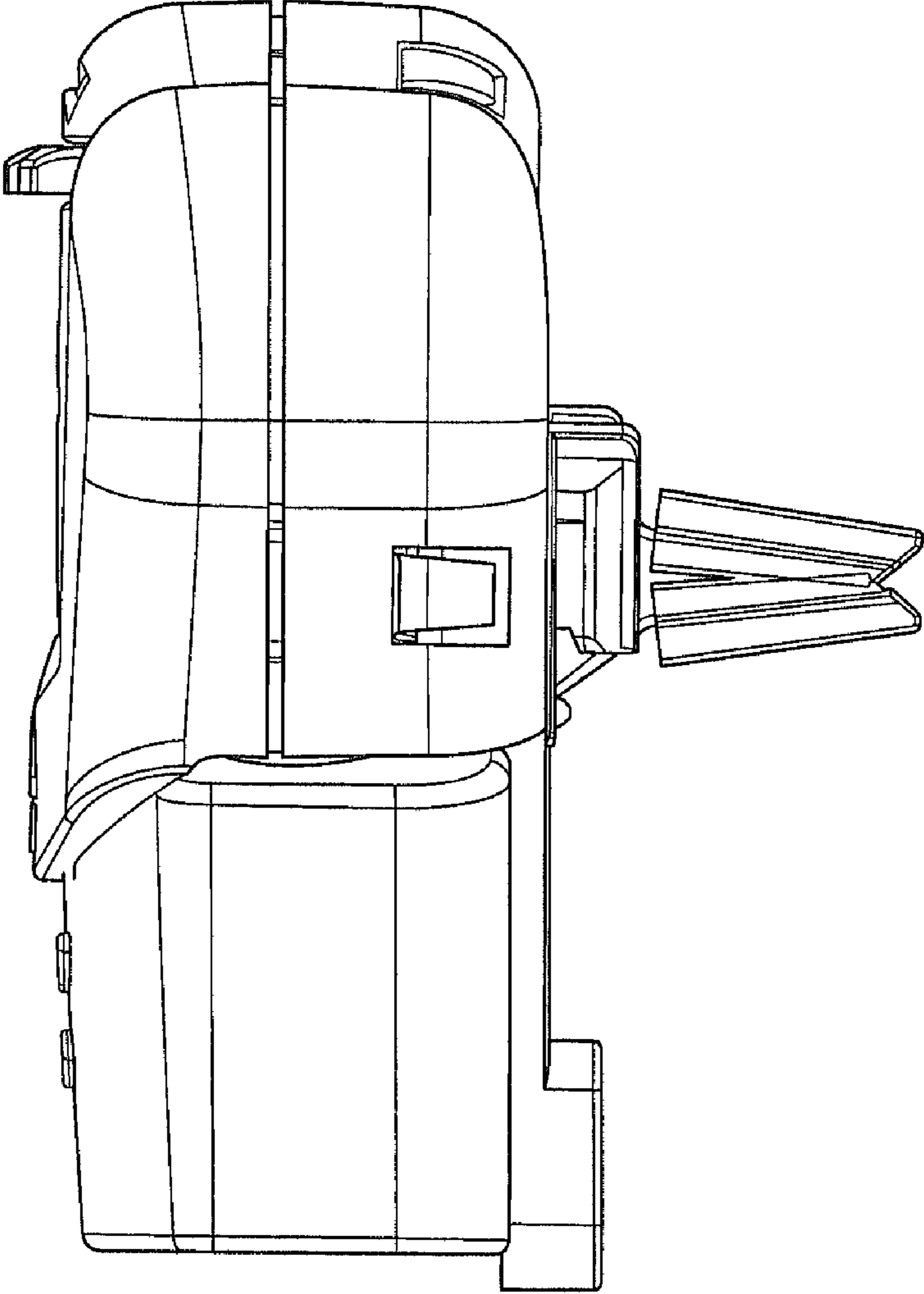


FIG. 6

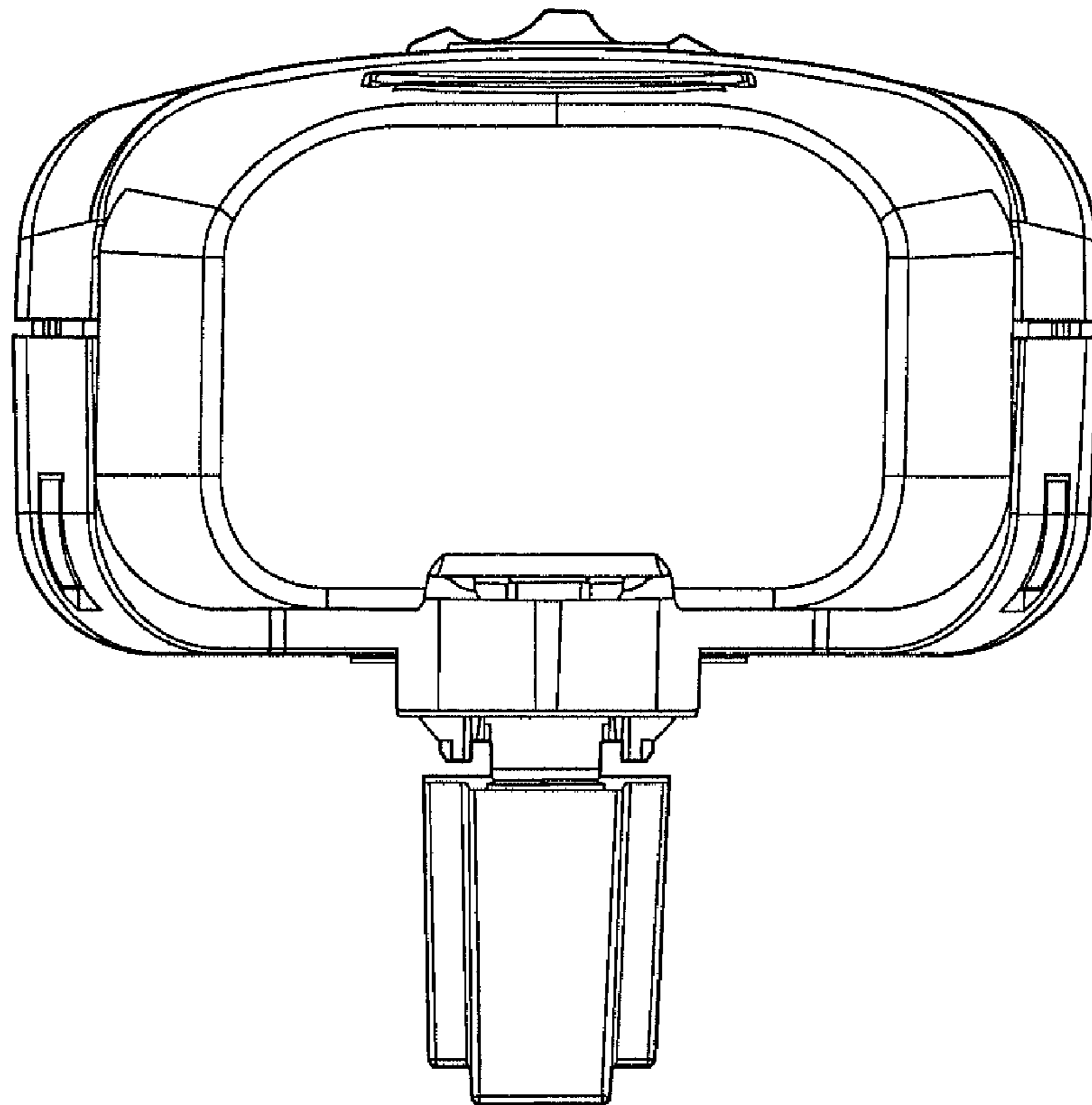


FIG. 7

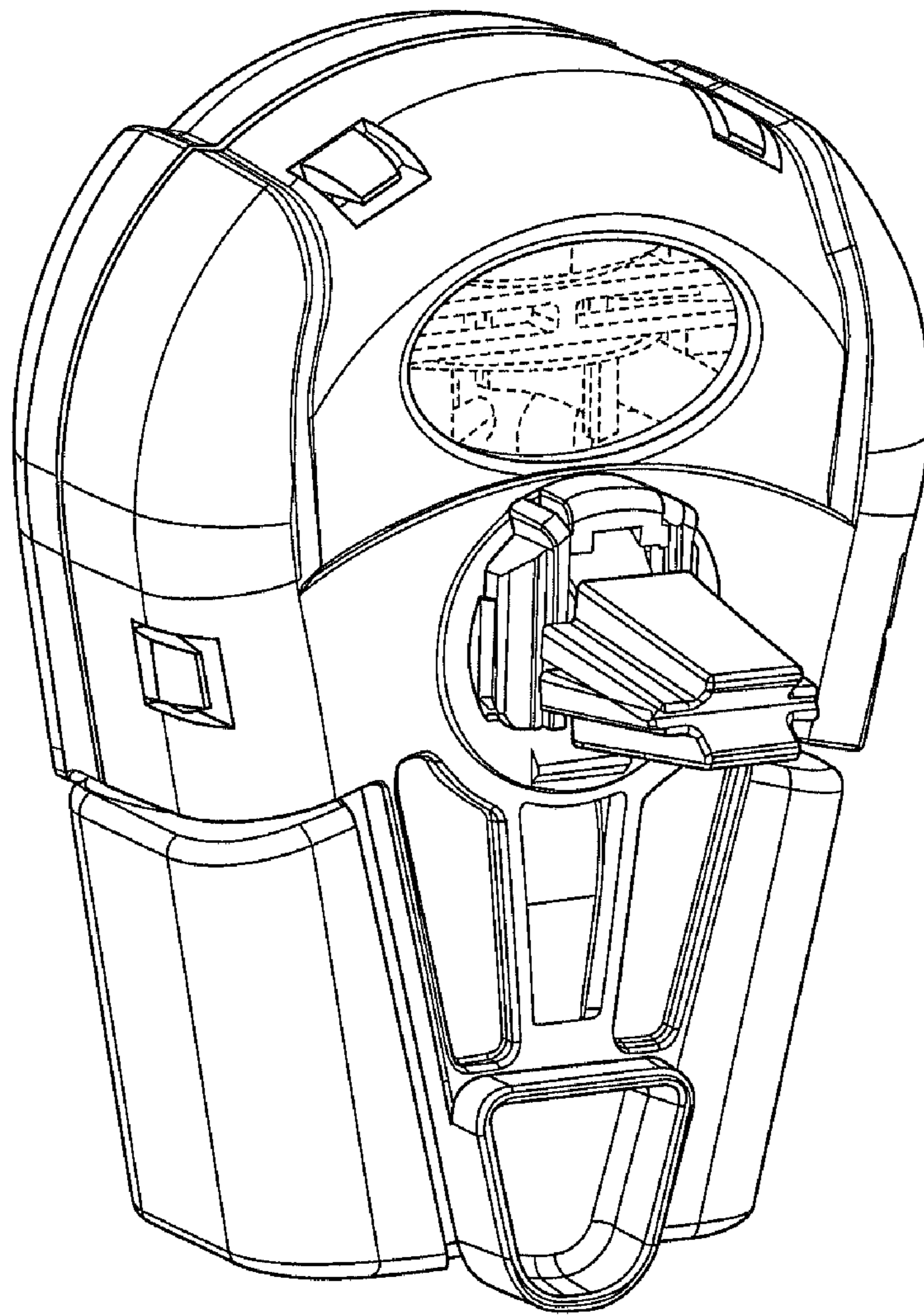


FIG. 8