



US00D628283S

(12) **United States Design Patent**  
**Valentino et al.**

(10) **Patent No.:** **US D628,283 S**  
(45) **Date of Patent:** **\*\* Nov. 30, 2010**

(54) **ELECTRIC FRAGRANCE DIFFUSER**

(75) Inventors: **Heidi Valentino**, New York, NY (US);  
**Kathryn Ludwig**, New York, NY (US)

(73) Assignee: **Bath & Body Works Brand Management, Inc.**, Reynoldsburg, OH (US)

(\*\*) Term: **14 Years**

(21) Appl. No.: **29/359,411**

(22) Filed: **Apr. 9, 2010**

(51) **LOC (9) Cl.** ..... **28-99**

(52) **U.S. Cl.** ..... **D23/366**

(58) **Field of Classification Search** ..... D23/355-369;  
D28/5, 6; 261/DIG. 17, DIG. 42, DIG. 65,  
261/DIG. 88, DIG. 89; 392/386, 390, 391,  
392/392, 394, 395, 389, 393; 239/34, 35,  
239/43-45, 53, 56, 57, 60, 326, 42, 50, 55  
See application file for complete search history.

(56) **References Cited**

**U.S. PATENT DOCUMENTS**

- 2,813,187 A \* 11/1957 Rovira ..... 219/385
- 5,038,394 A 8/1991 Hasegawa et al.
- D430,659 S 9/2000 Zaragoza et al.
- 6,278,840 B1 8/2001 Basaganas Millan
- 6,466,739 B2 10/2002 Ambrosi et al.
- 6,603,924 B2 8/2003 Brown et al.
- 6,661,967 B2 12/2003 Levine et al.
- D522,119 S 5/2006 Baraky et al.
- D542,902 S \* 5/2007 Caserta et al. .... D23/366
- D542,903 S \* 5/2007 Caserta et al. .... D23/366

- 7,223,361 B2 5/2007 Kvietok et al.
- 7,249,719 B2 7/2007 He et al.
- D548,318 S \* 8/2007 Copeman ..... D23/366
- D556,311 S \* 11/2007 Copeman ..... D23/366
- D574,076 S 7/2008 Baraky
- 7,493,028 B2 2/2009 DeWitt et al.
- D596,729 S \* 7/2009 Langley et al. .... D23/366
- D596,730 S \* 7/2009 Langley et al. .... D23/366
- D599,899 S \* 9/2009 Thompson ..... D23/366
- 2004/0067172 A1 4/2004 Ehrlich et al.
- 2008/0014125 A1 1/2008 He et al.

\* cited by examiner

*Primary Examiner*—Sandra Snapp

(74) *Attorney, Agent, or Firm*—Ward & Olivo

(57) **CLAIM**

The ornamental design for an electric fragrance diffuser, as shown and described.

**DESCRIPTION**

FIG. 1 is a perspective view of an electric fragrance diffuser in accordance with the present invention as shown in the present design;

FIG. 2 is a front view thereof;

FIG. 3 is a rear view thereof;

FIG. 4 is a right side view thereof, the left side view being a mirror image thereof;

FIG. 5 is a top view thereof; and,

FIG. 6 is a bottom view thereof.

The broken lines shown in the drawings are for illustrative purposes only and form no part of the claimed design.

**1 Claim, 5 Drawing Sheets**

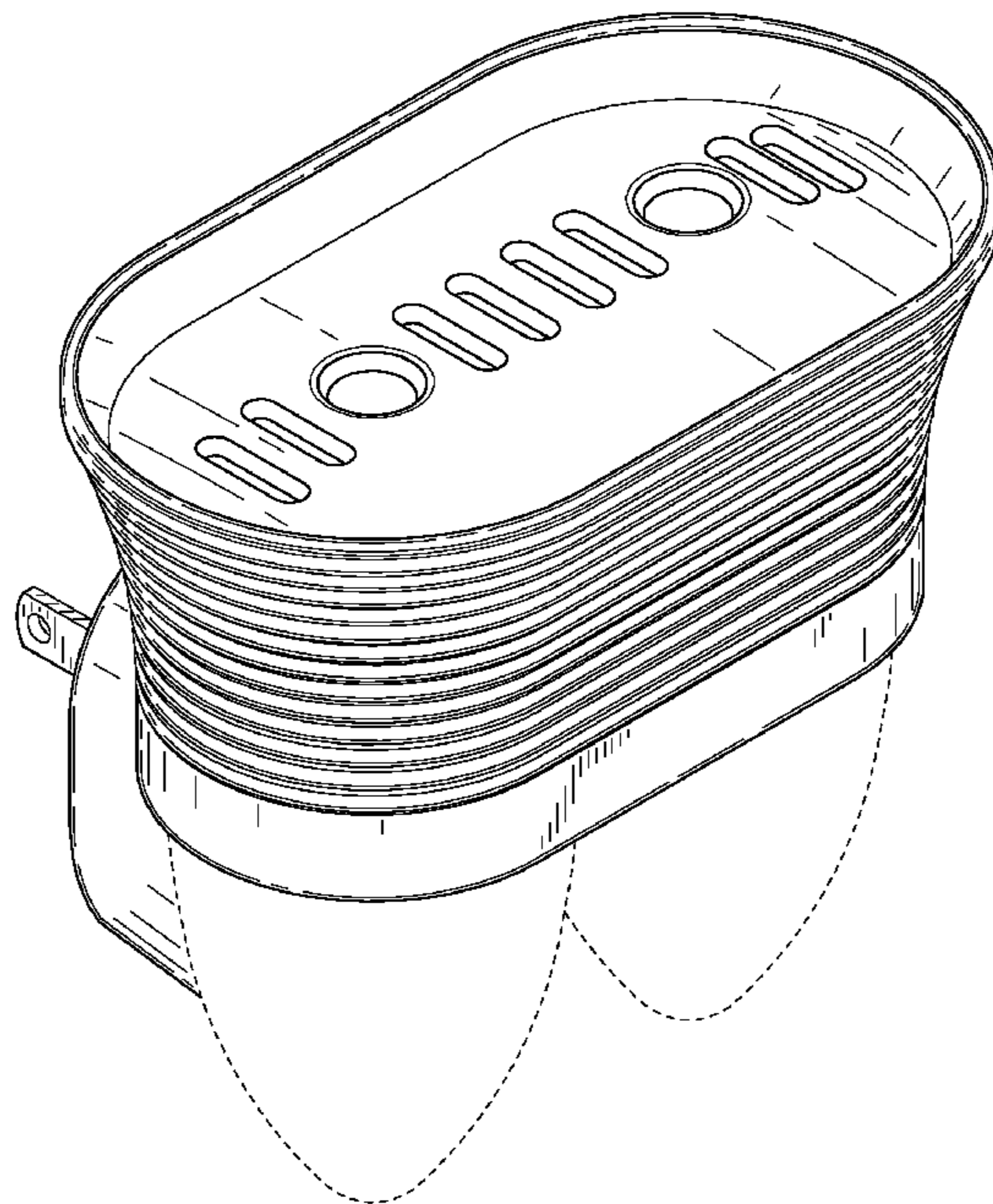
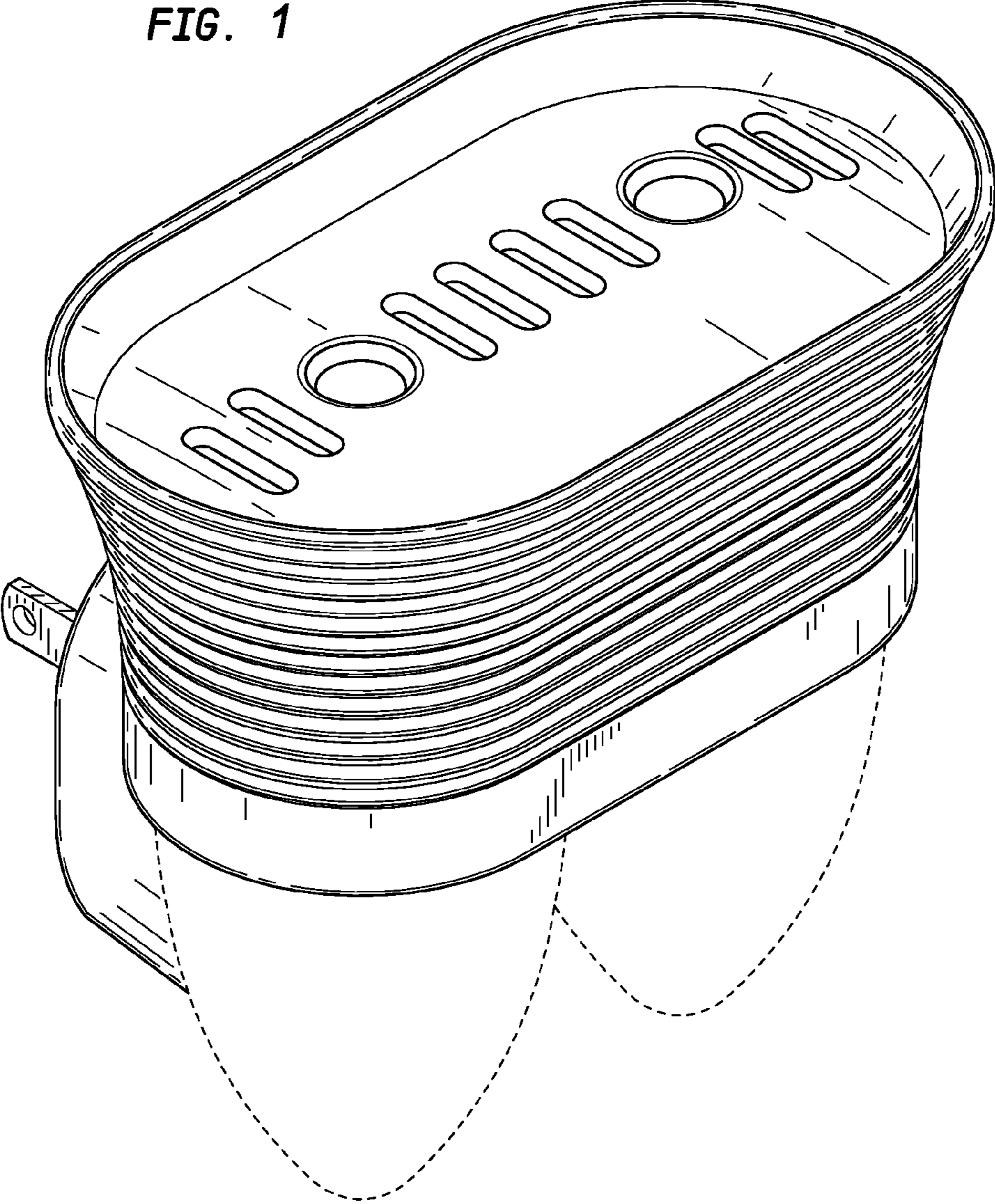
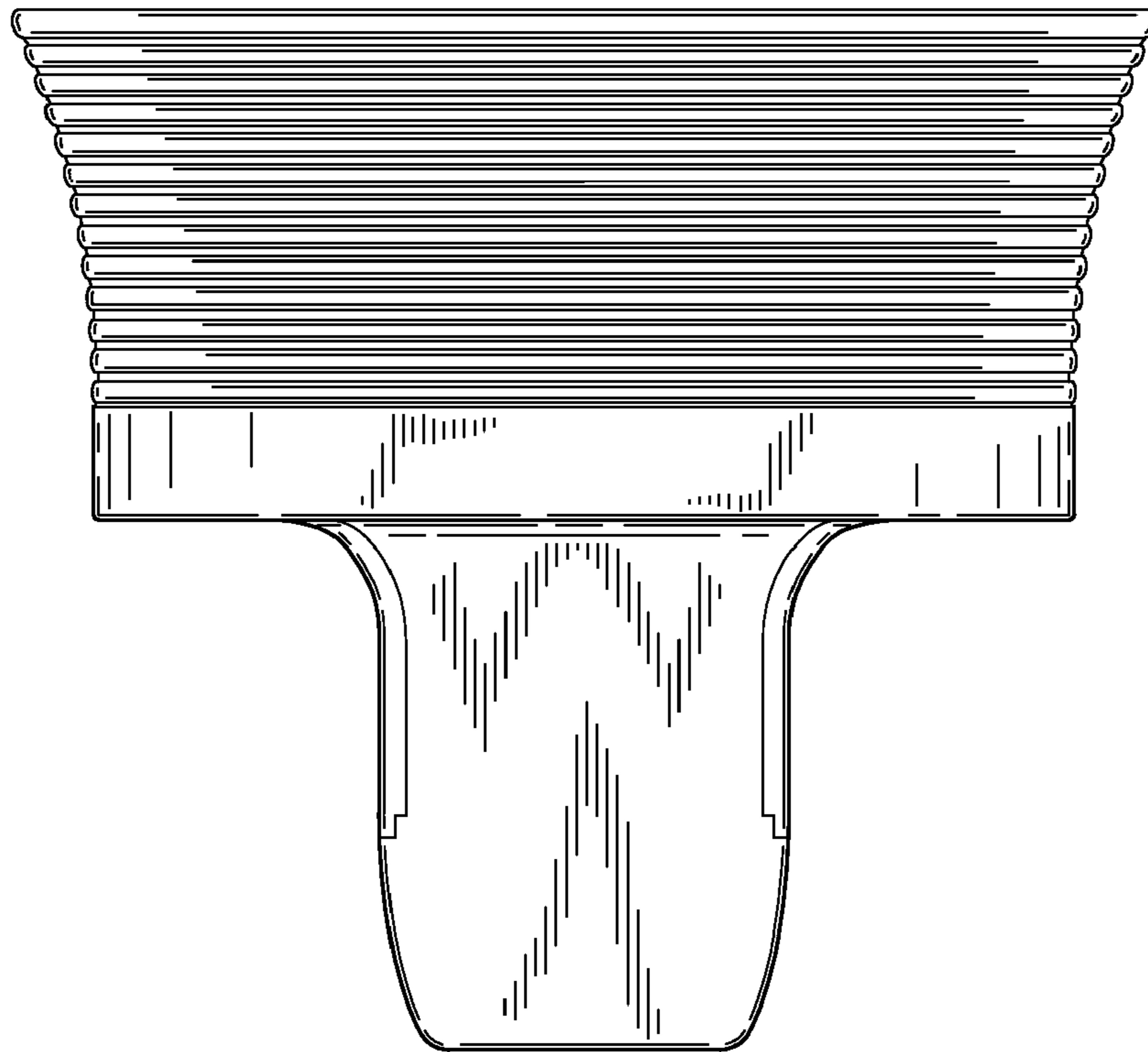


FIG. 1



*FIG. 2*



**FIG. 3**

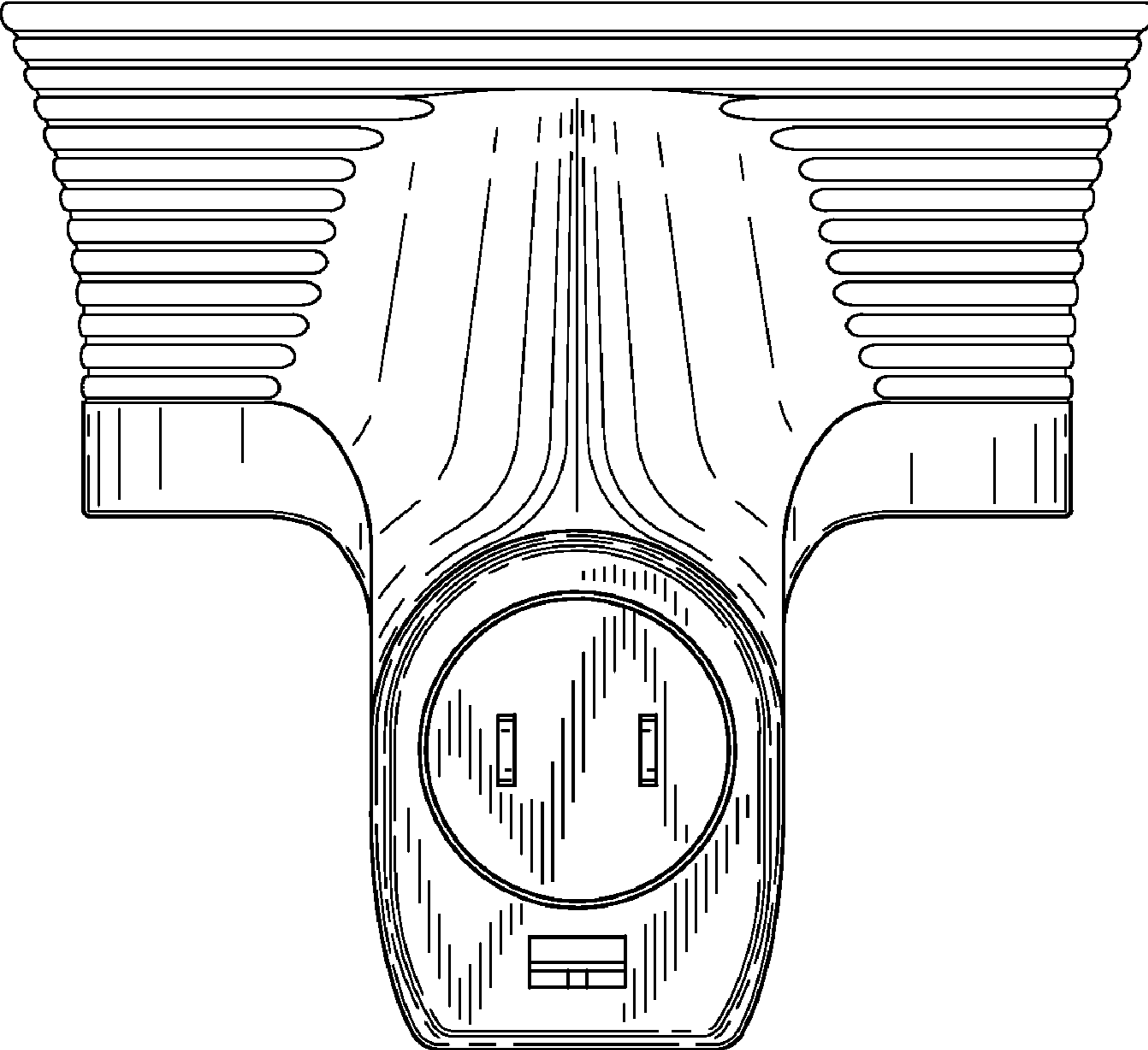


FIG. 4

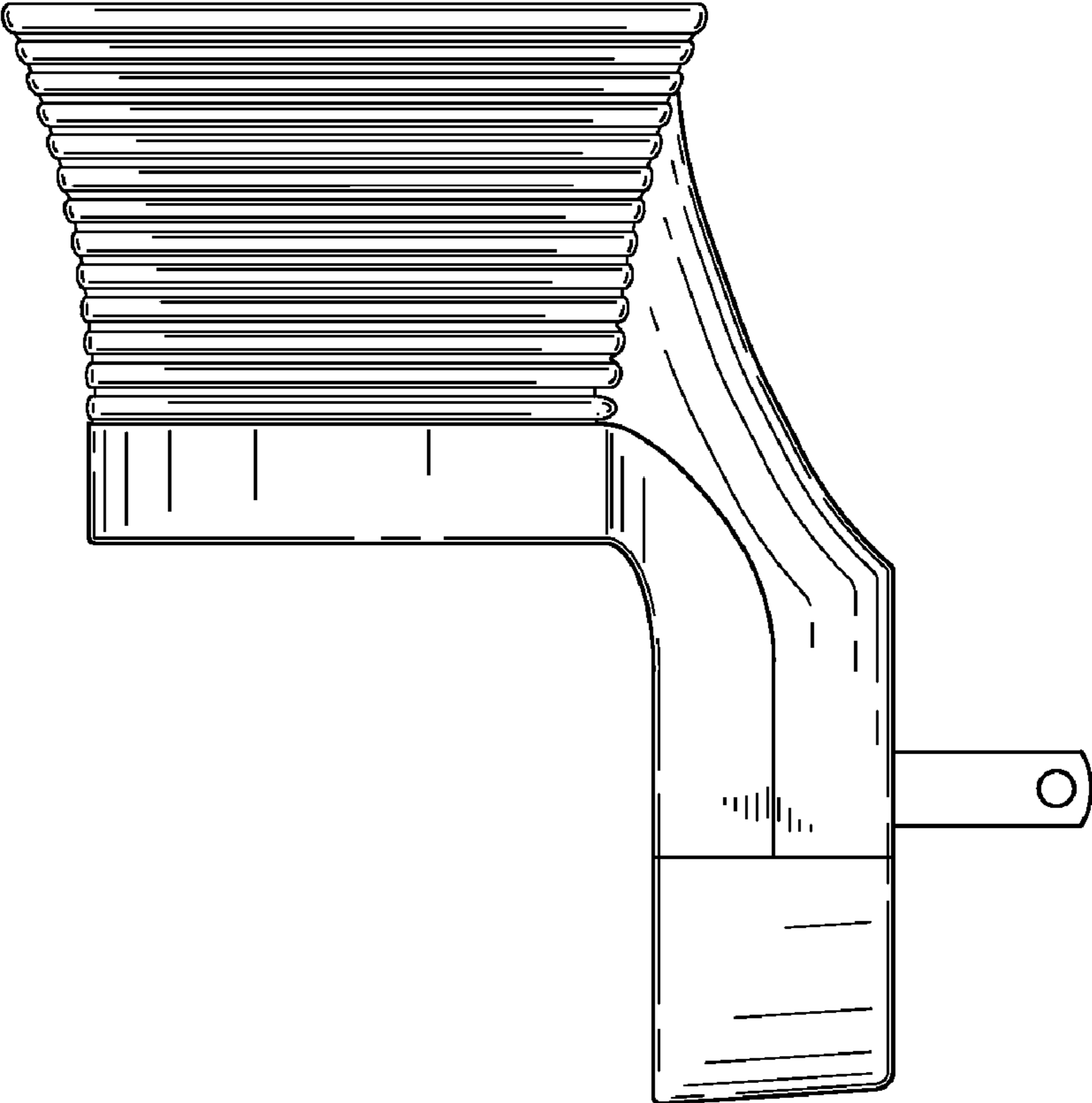




FIG. 5

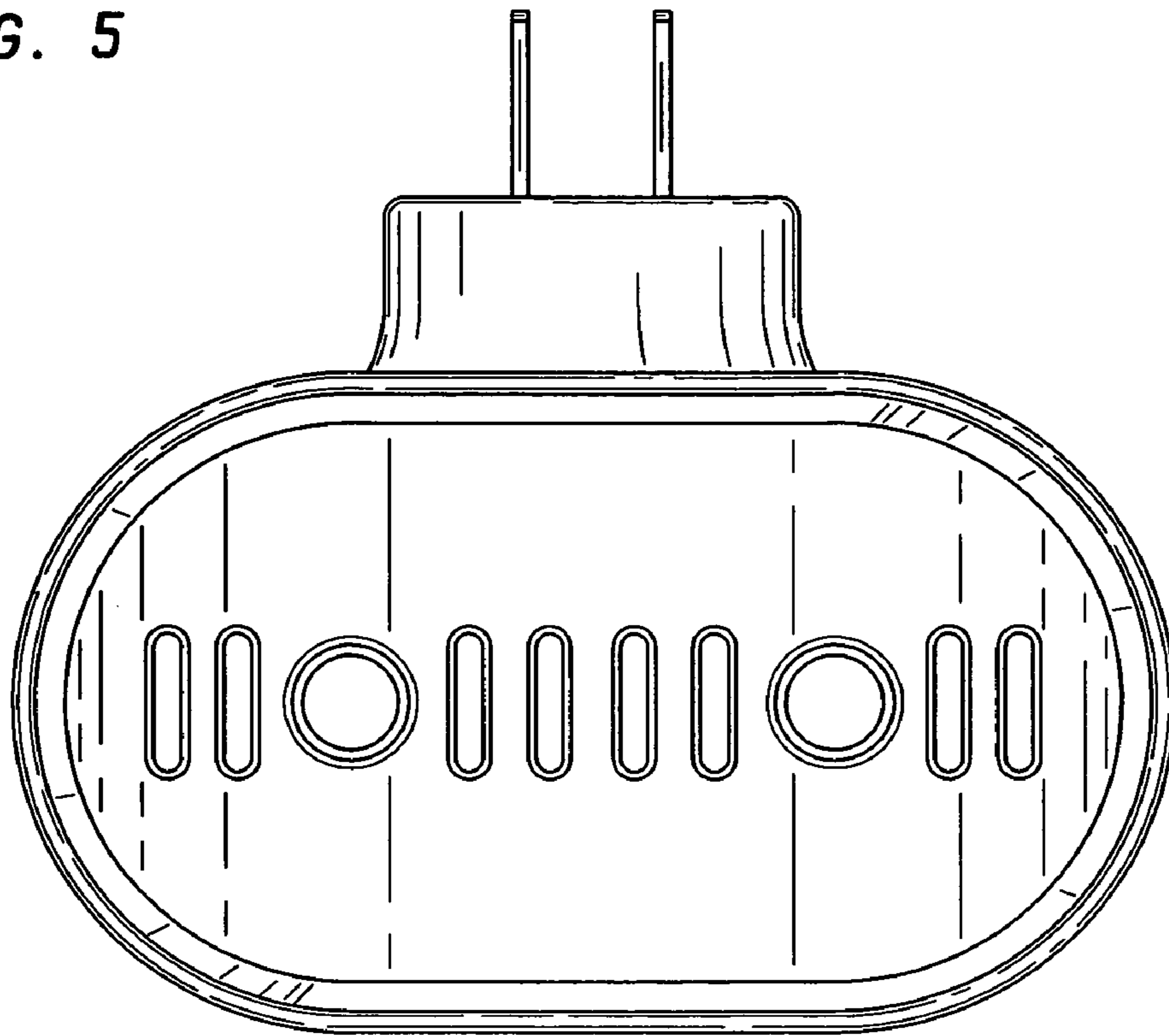


FIG. 6

