



US00D628279S

(12) **United States Design Patent**
Jiang

(10) **Patent No.:** **US D628,279 S**

(45) **Date of Patent:** **** Nov. 30, 2010**

(54) **WATER CLOSET**

(75) Inventor: **Mimi Jiang**, Shanghai (CN)

(73) Assignee: **Kohler Co.**, Kohler, WI (US)

(**) Term: **14 Years**

(21) Appl. No.: **29/340,165**

(22) Filed: **Jul. 14, 2009**

(51) **LOC (9) Cl.** **23-02**

(52) **U.S. Cl.** **D23/301**

(58) **Field of Classification Search** D23/273-274,
D23/295, 301, 303, 309, 313; 4/300, 329,
4/353, 420

See application file for complete search history.

(56) **References Cited**

U.S. PATENT DOCUMENTS

D424,181 S	5/2000	Caplow	
D471,621 S	3/2003	Bennie	
D472,619 S *	4/2003	Kawamura et al.	D23/301
D541,915 S	5/2007	Bates	
D542,390 S	5/2007	Bates	
D542,396 S	5/2007	Bates	
D603,945 S *	11/2009	Bucher	D23/301

OTHER PUBLICATIONS

Kohler. Archer Comfort Height Toilet. K-3517. Kohler catalog.
Kohler. Kathryn Two-Piece Toilet.

Kohler. Kathryn Comfort Height One-Piece Toilet. Model No. K-3324. HomePortfolio.com online catalog. Copyright 1997-2008 HomePortfolio Inc.

Kallista. Kalligraphos Toilets. Kallista Catalog.

* cited by examiner

Primary Examiner—Robert A Delehanty

(74) *Attorney, Agent, or Firm*—Quarles & Brady LLP

(57) **CLAIM**

The ornamental design for a water closet, as shown and described.

DESCRIPTION

FIG. 1 is a left, top, front perspective view of a water closet embodying my new design;

FIG. 2 is a top plan view thereof;

FIG. 3 is a front elevational view thereof;

FIG. 4 is a left side elevational view thereof;

FIG. 5 is a right side elevation view thereof;

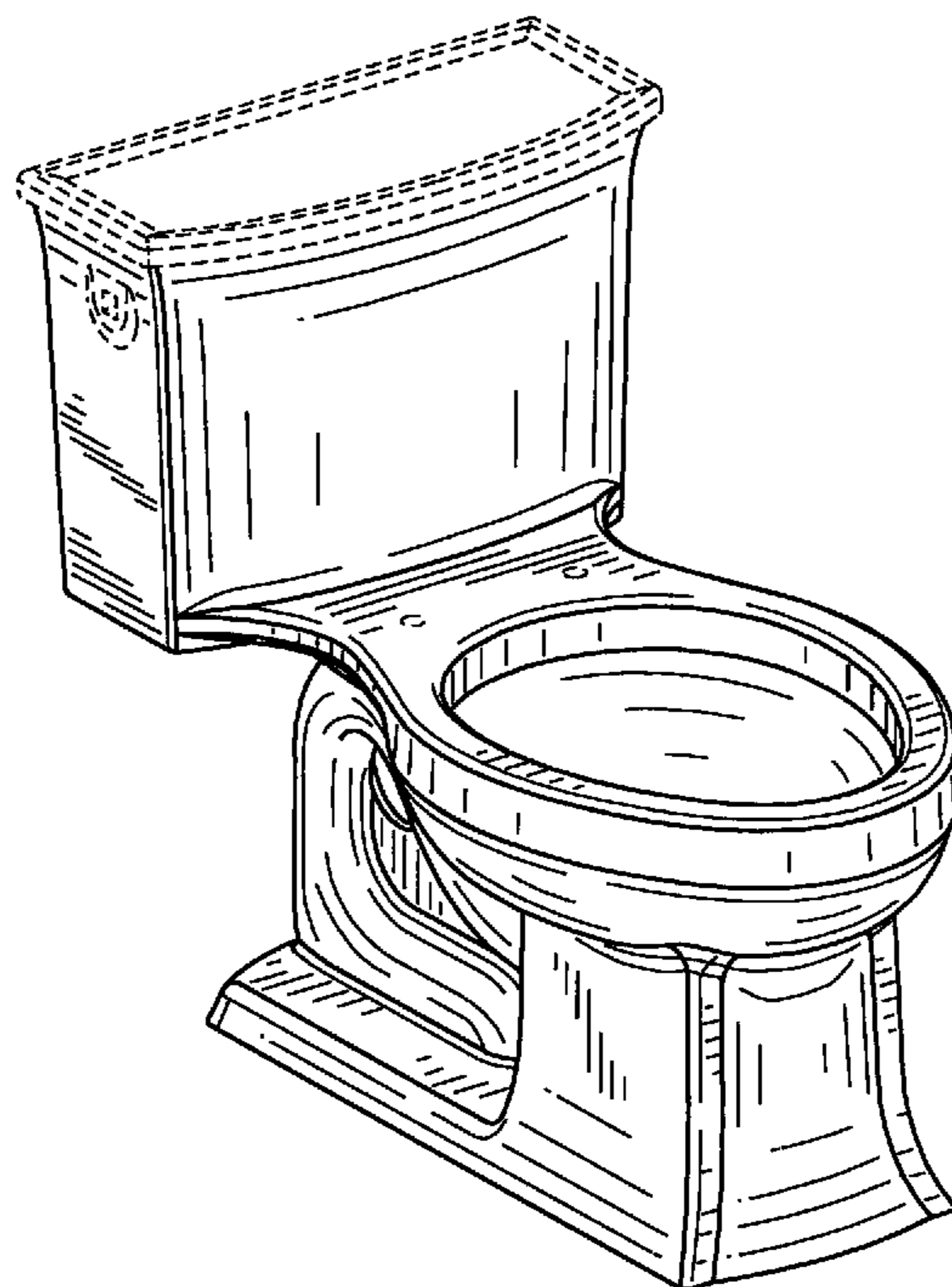
FIG. 6 is a rear elevational view thereof; and,

FIG. 7 is bottom plan view thereof.

The broken line representations in the figures are for the purpose of illustration only, and form no part of the claimed design.

In a preferred embodiment, the nature of this product is a plumbing fixture in the form of a water closet, which is primarily useful for receiving the liquid and solid waste of humans.

1 Claim, 4 Drawing Sheets



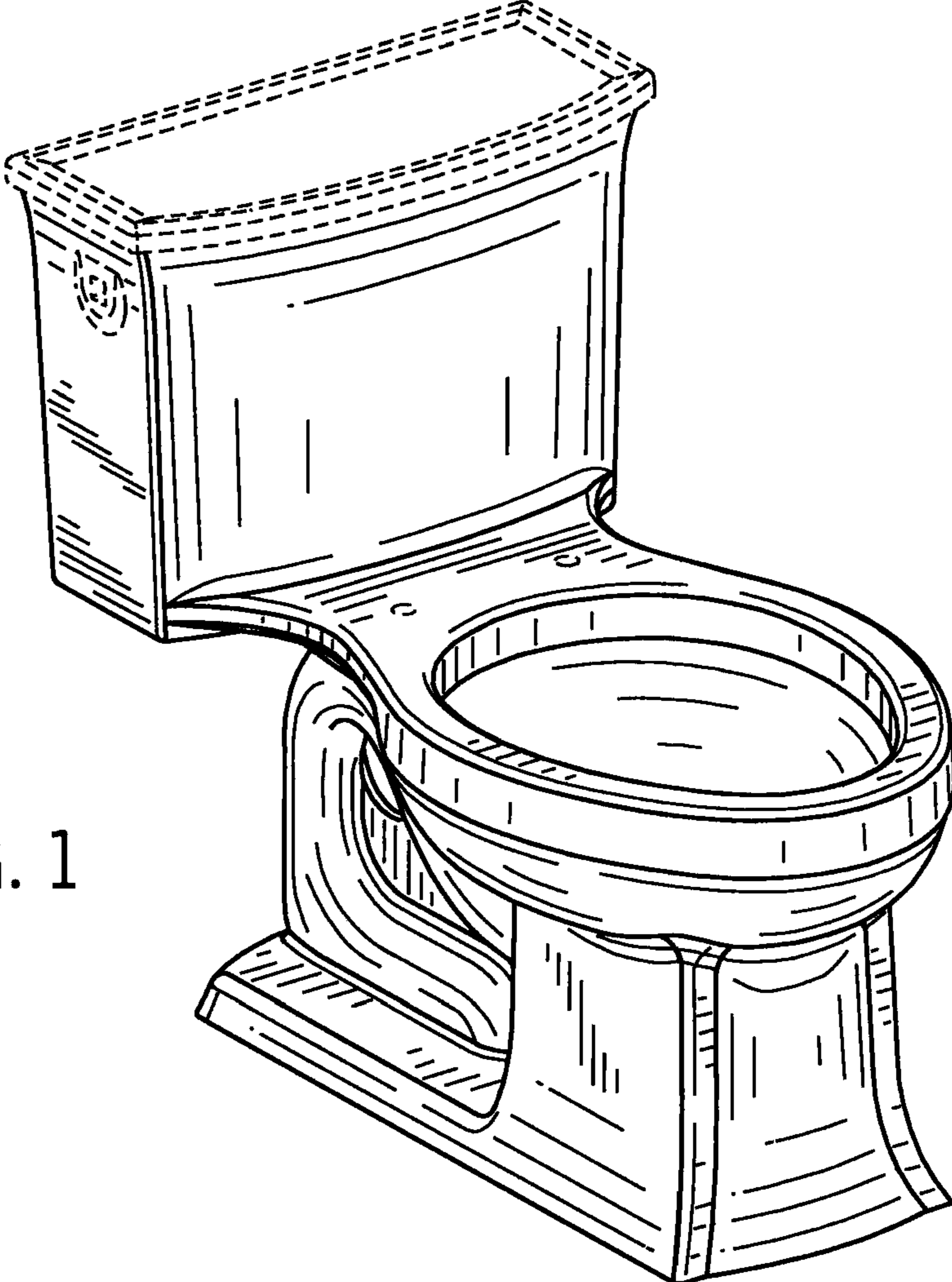


FIG. 1

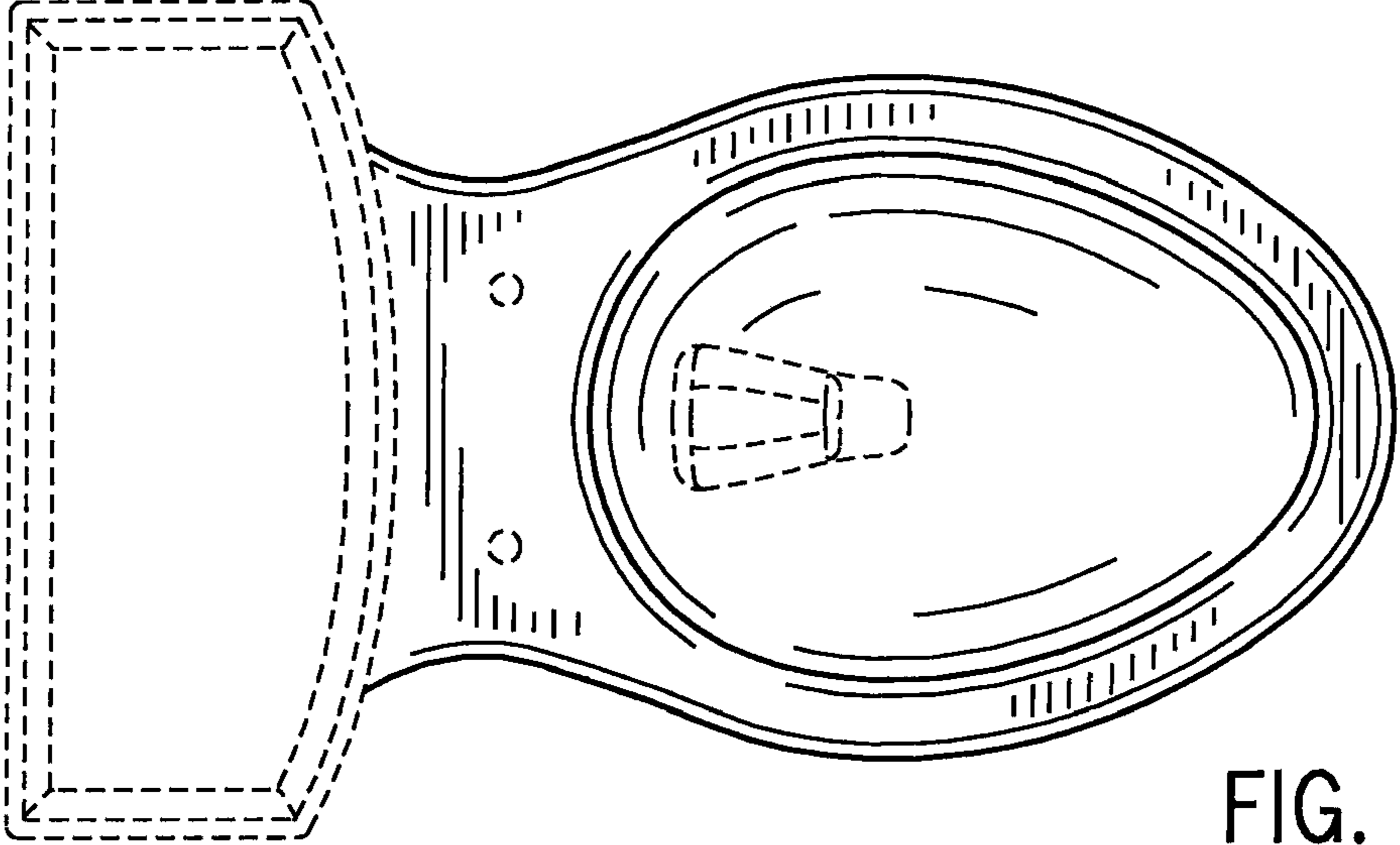


FIG. 2

FIG. 3

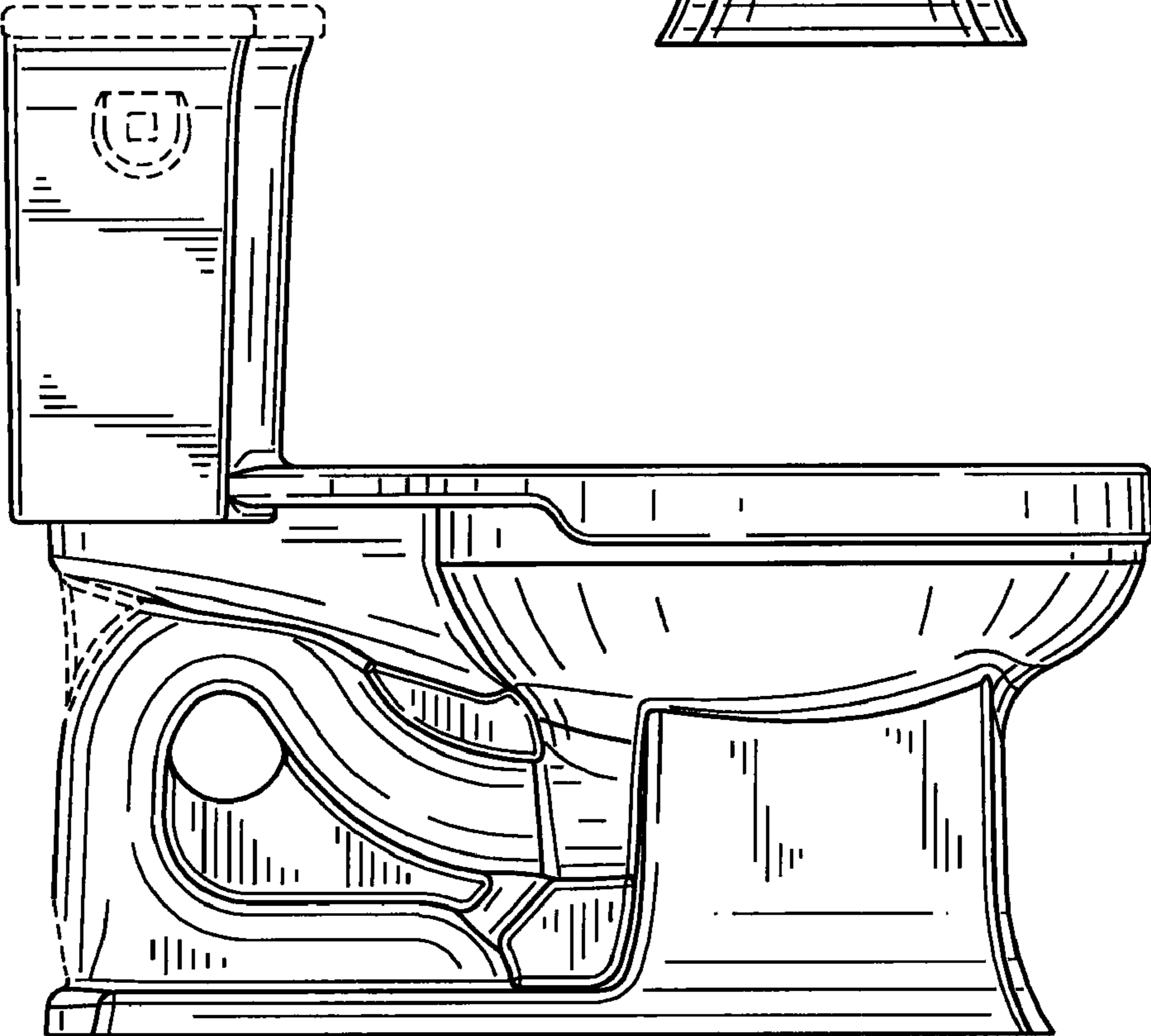
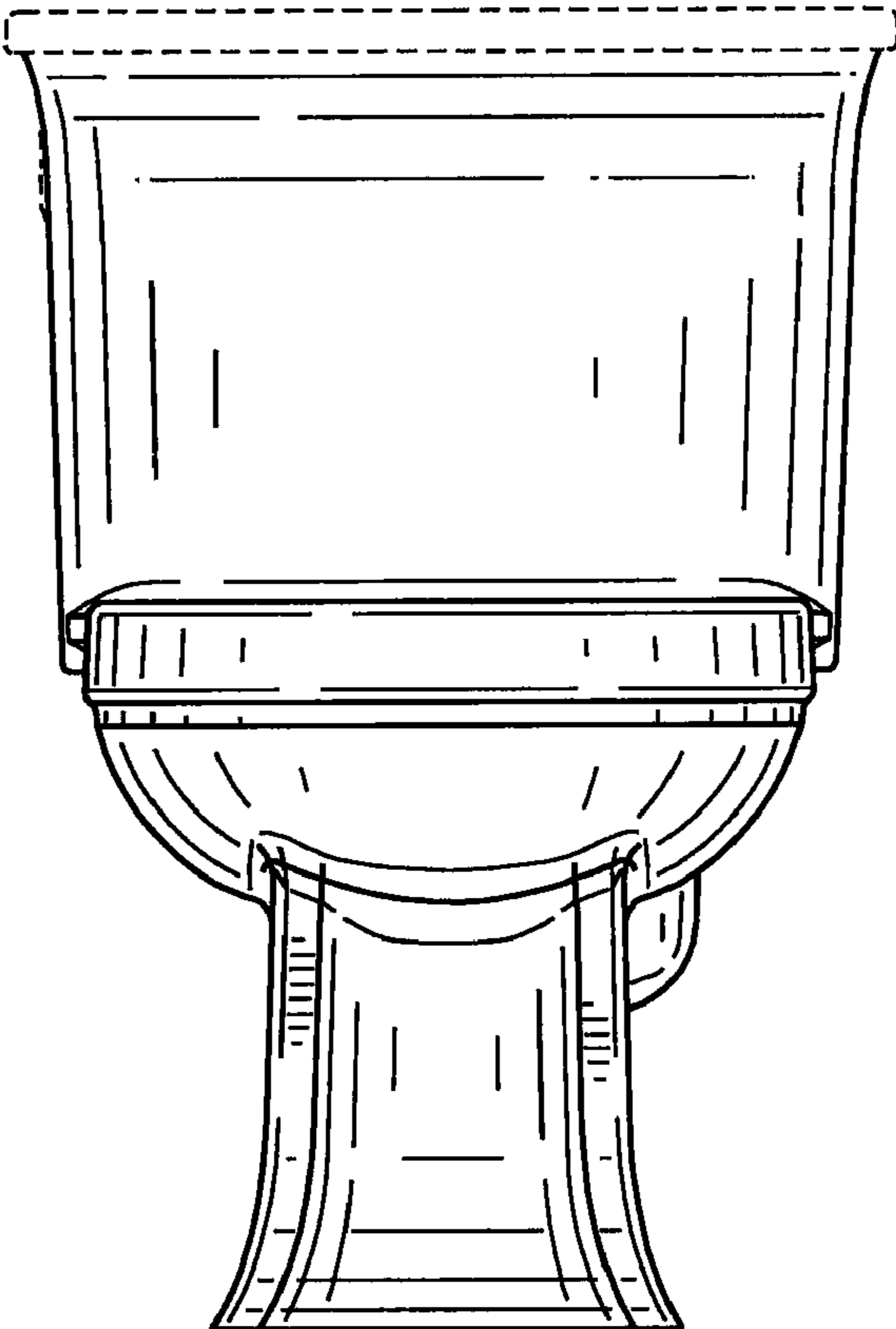


FIG. 4

FIG. 5

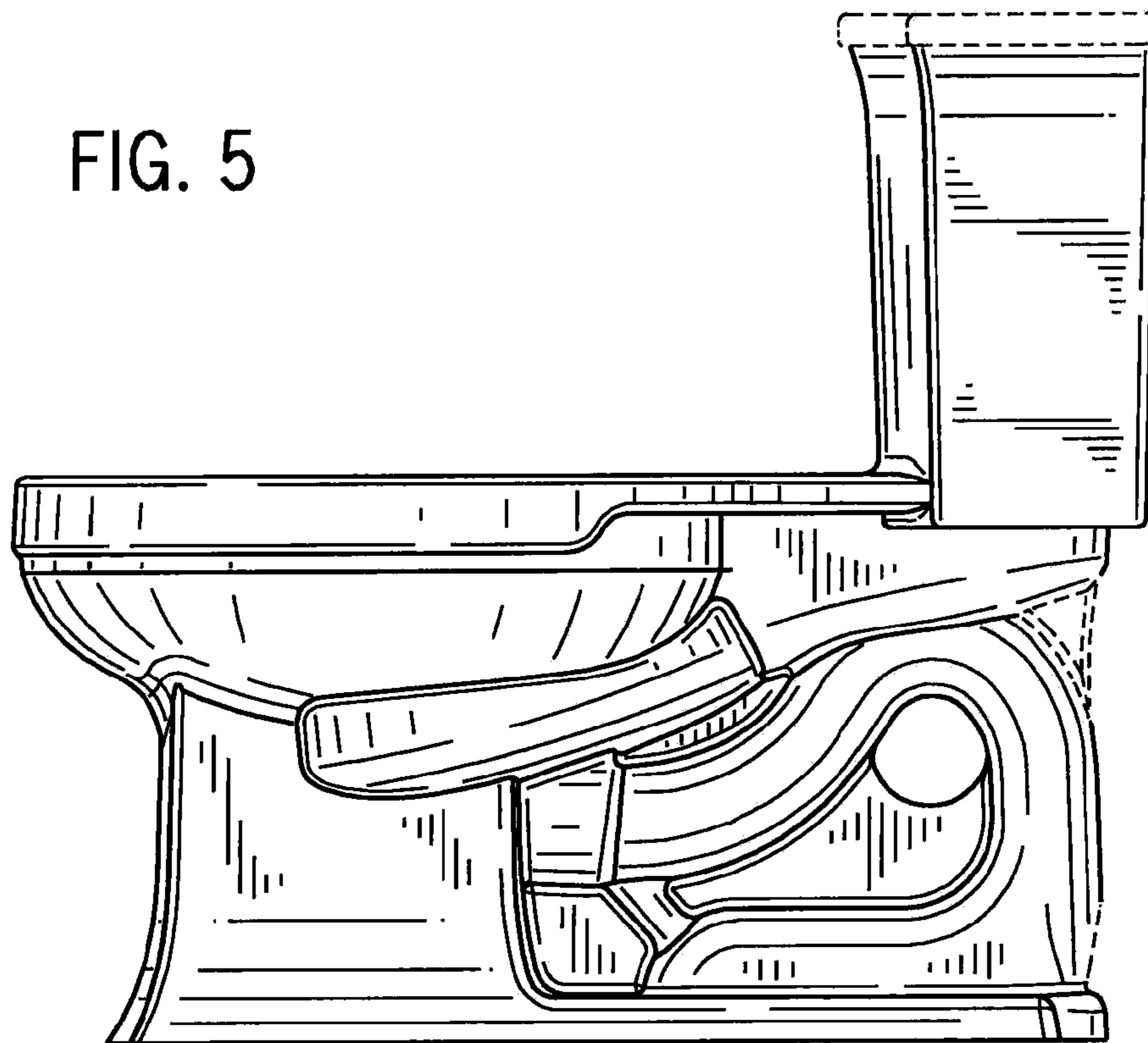
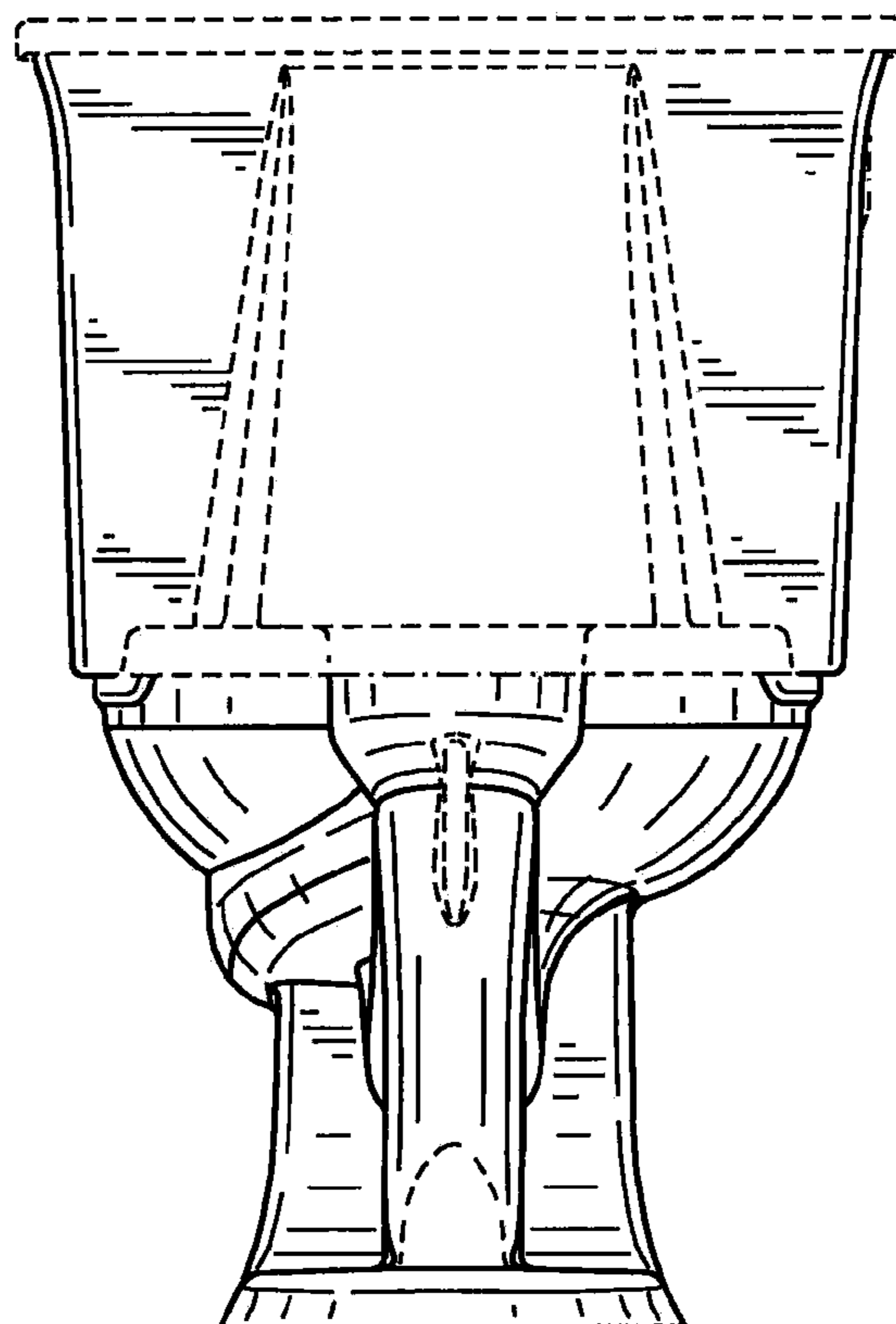


FIG. 6



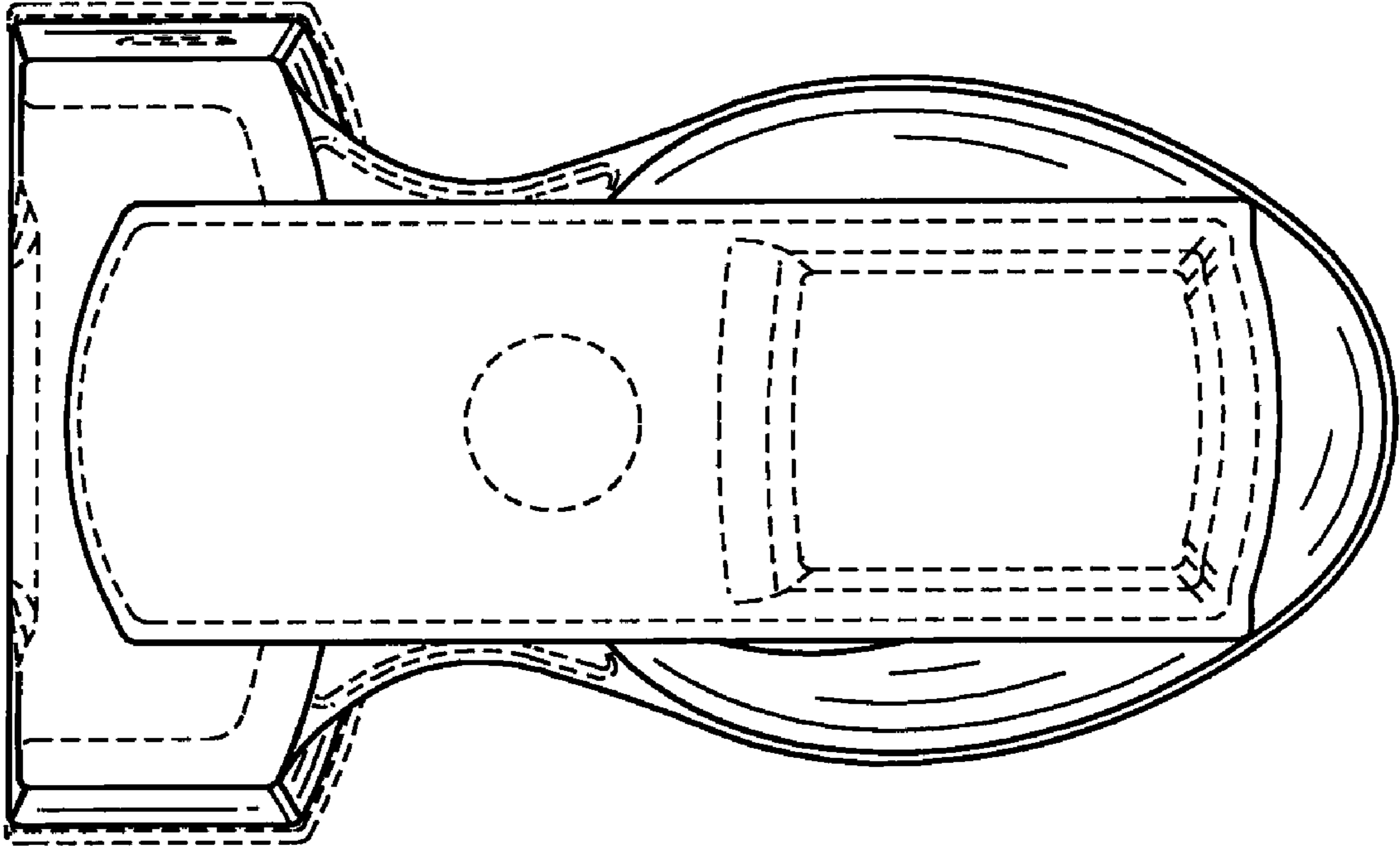


FIG. 7