



US00D628277S

(12) **United States Design Patent**
Montgomery

(10) **Patent No.:** **US D628,277 S**

(45) **Date of Patent:** **** Nov. 30, 2010**

(54) **PLUMBING FITTING**

(57) **CLAIM**

(75) Inventor: **Howard M. Montgomery**, Skokie, IL
(US)

The ornamental design for a plumbing fitting, as shown and described.

(73) Assignee: **Kohler Co.**, Kohler, WI (US)

DESCRIPTION

(**) Term: **14 Years**

(21) Appl. No.: **29/350,882**

(22) Filed: **Nov. 24, 2009**

(51) **LOC (9) Cl.** **23-01**

(52) **U.S. Cl.** **D23/252**

(58) **Field of Classification Search** D23/238–243,
D23/250, 252, 254; 4/676–677; D8/350–353,
D8/308; 137/350–353

See application file for complete search history.

FIG. 1 is a right, top, front perspective view of a plumbing fitting according to my new design in the form of a handle, shown with one exemplary escutcheon environment;

FIG. 2 is a front elevational view thereof;

FIG. 3 is a right side elevational view thereof, the left side elevational view thereof being a mirror image of the right side shown;

FIG. 4 is a top plan view thereof;

FIG. 5 is a bottom plan view thereof;

FIG. 6 is a rear elevational view thereof;

FIG. 7 is a right, top, front perspective view of a plumbing fitting according to my new design in the form of a handle, shown with another exemplary escutcheon environment;

FIG. 8 is a front elevational view thereof;

FIG. 9 is a right side elevational view thereof, the left side elevational view thereof being a mirror image of the right side shown;

FIG. 10 is a top plan view thereof; and,

FIG. 11 is a bottom plan view thereof.

The broken line representations in the figures are for the purpose of illustration only, and form no part of the claimed design.

In a preferred embodiment, the nature of this product is a plumbing fitting, such as a handle for a shower and/or bath control.

(56) **References Cited**

U.S. PATENT DOCUMENTS

D531,702 S * 11/2006 Haug et al. D23/252

OTHER PUBLICATIONS

Kohler Co. Symbol volume control valve trim, valve not included. Model No. K-T18091-4. Kohler Co. online catalog, Copyright 2009 Kohler Co.

Kohler Co. Pinstripe Thermostatic Faucet Trim Product Diagram. Kohler Co. MasterShower Rite-Temp hi-flow valve trim, valve not included. Model No. K-T9492-4. Kohler Co. online catalog. Copyright 2009 Kohler Co.

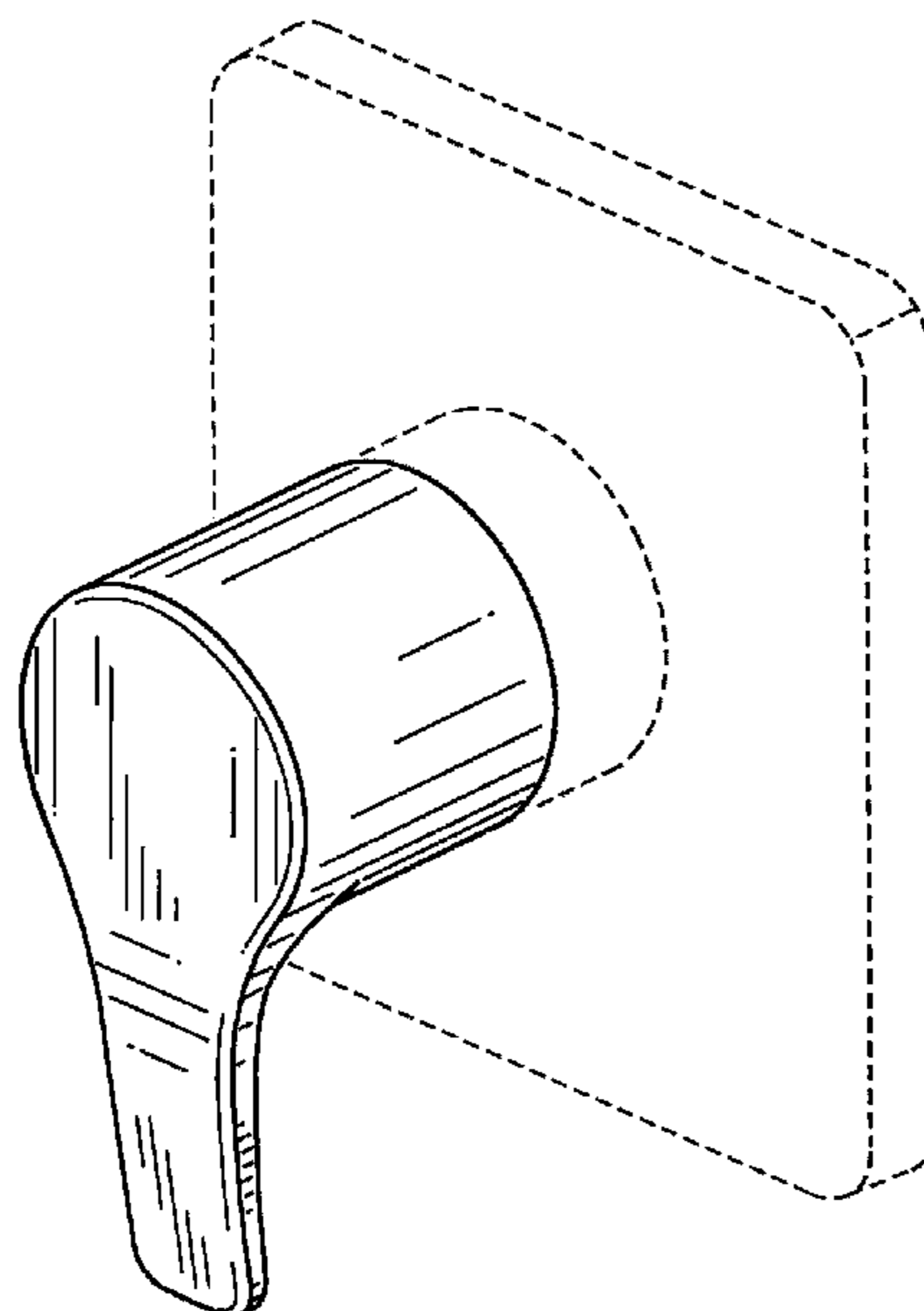
Jacob Delafon. Singular shower control. Jacob Delafon online catalog.

* cited by examiner

Primary Examiner—Robert A Delehanty

(74) *Attorney, Agent, or Firm*—Quarles & Brady LLP

1 Claim, 8 Drawing Sheets



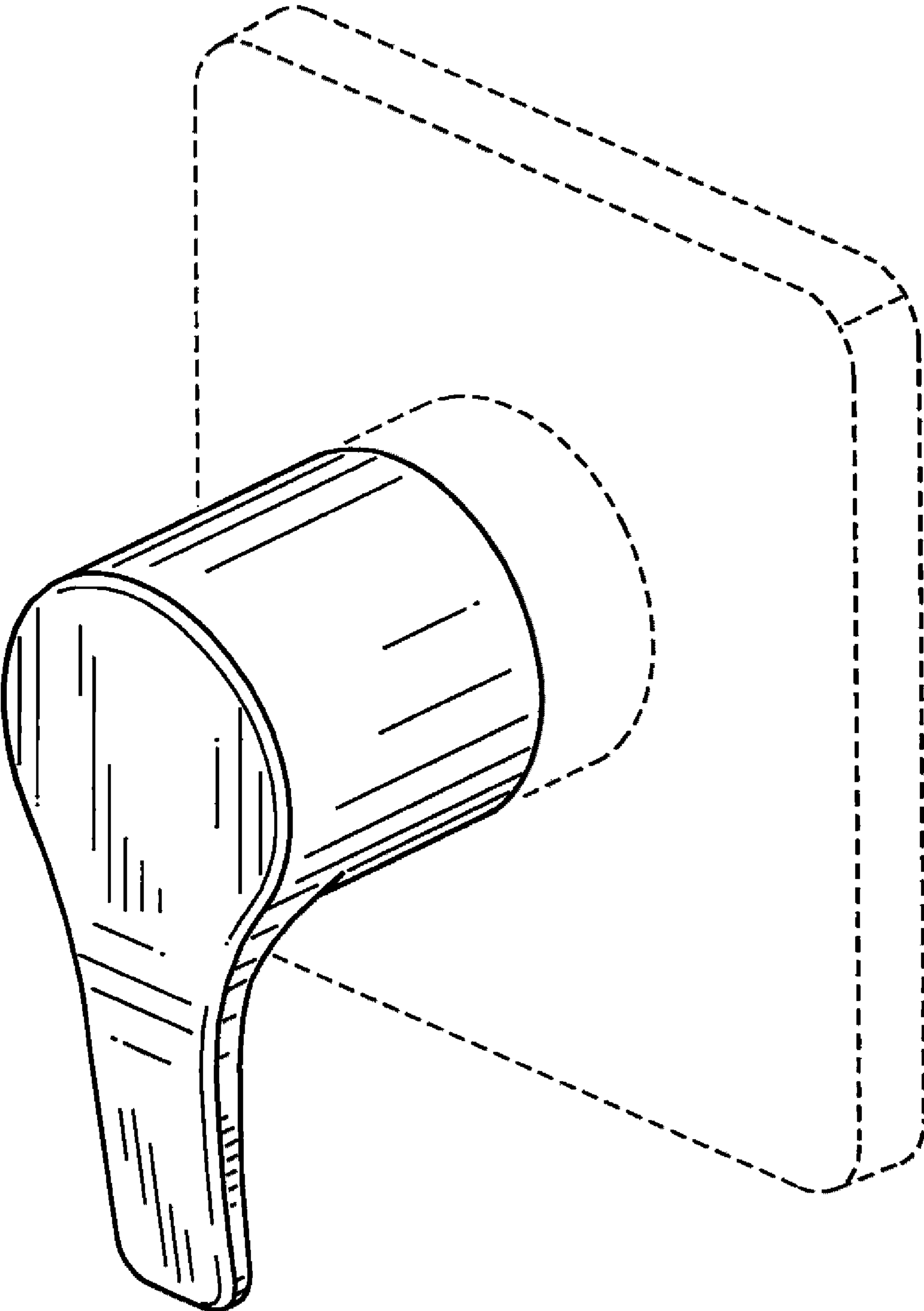


FIG. 1

FIG. 2

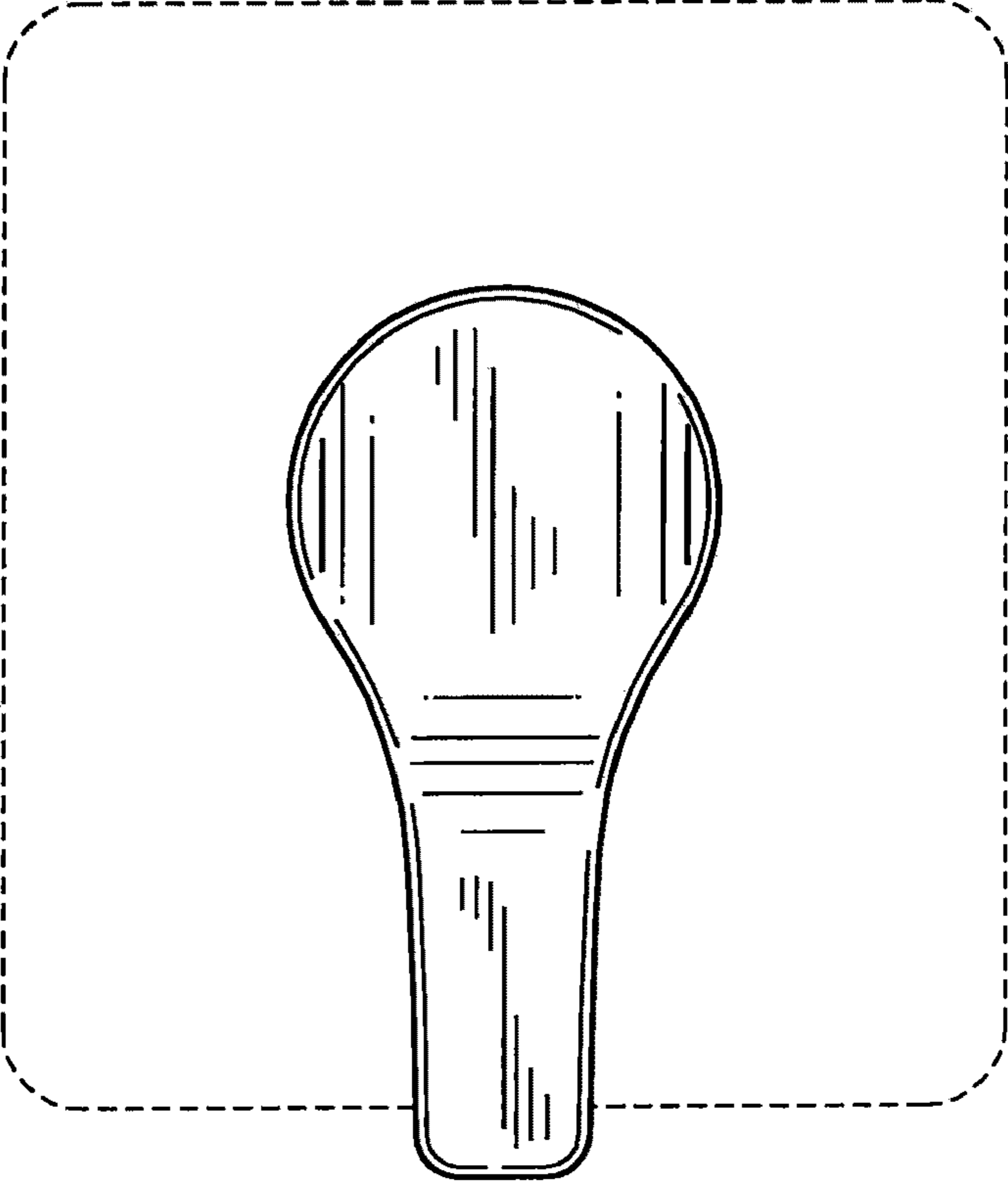


FIG. 3

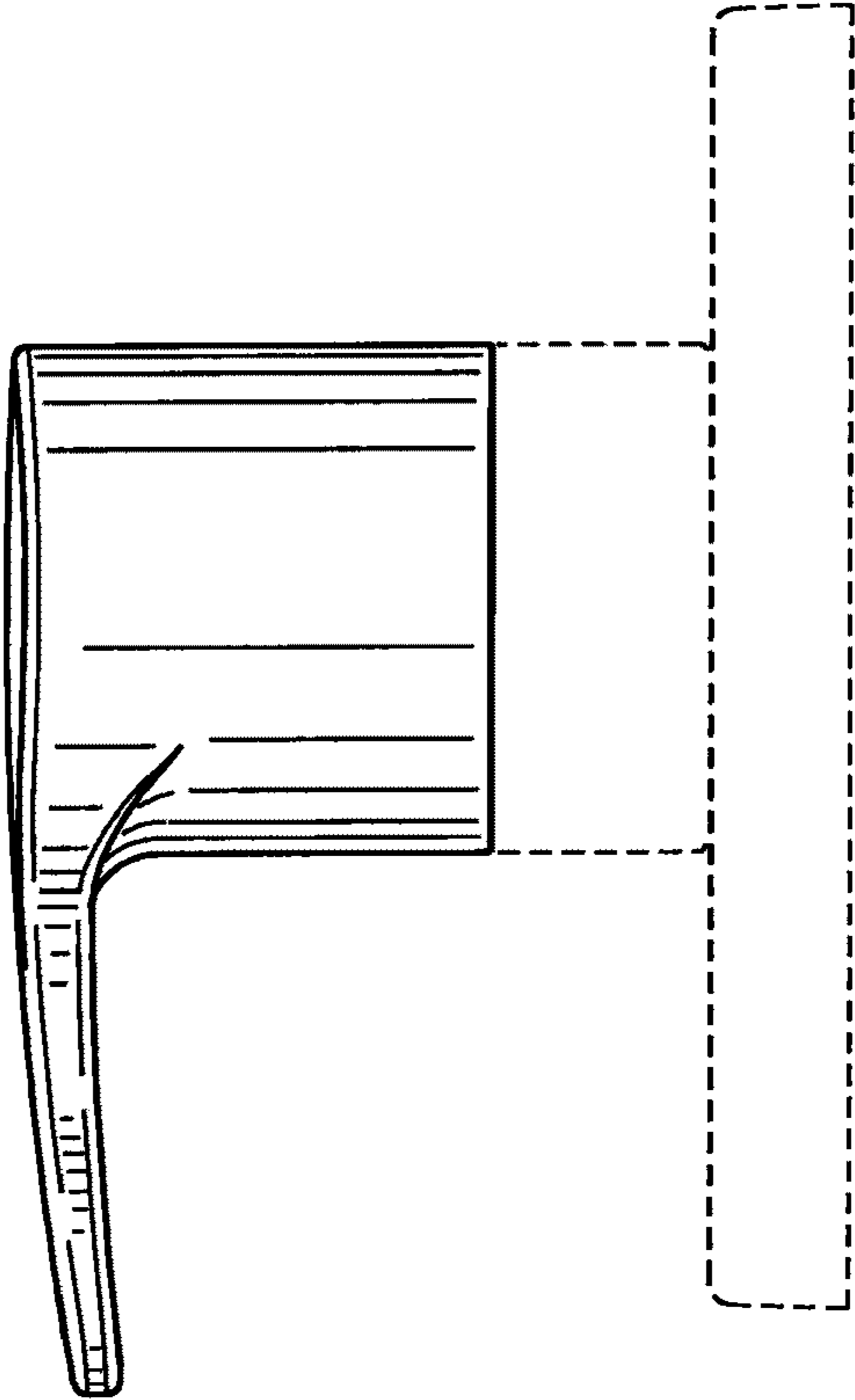


FIG. 4

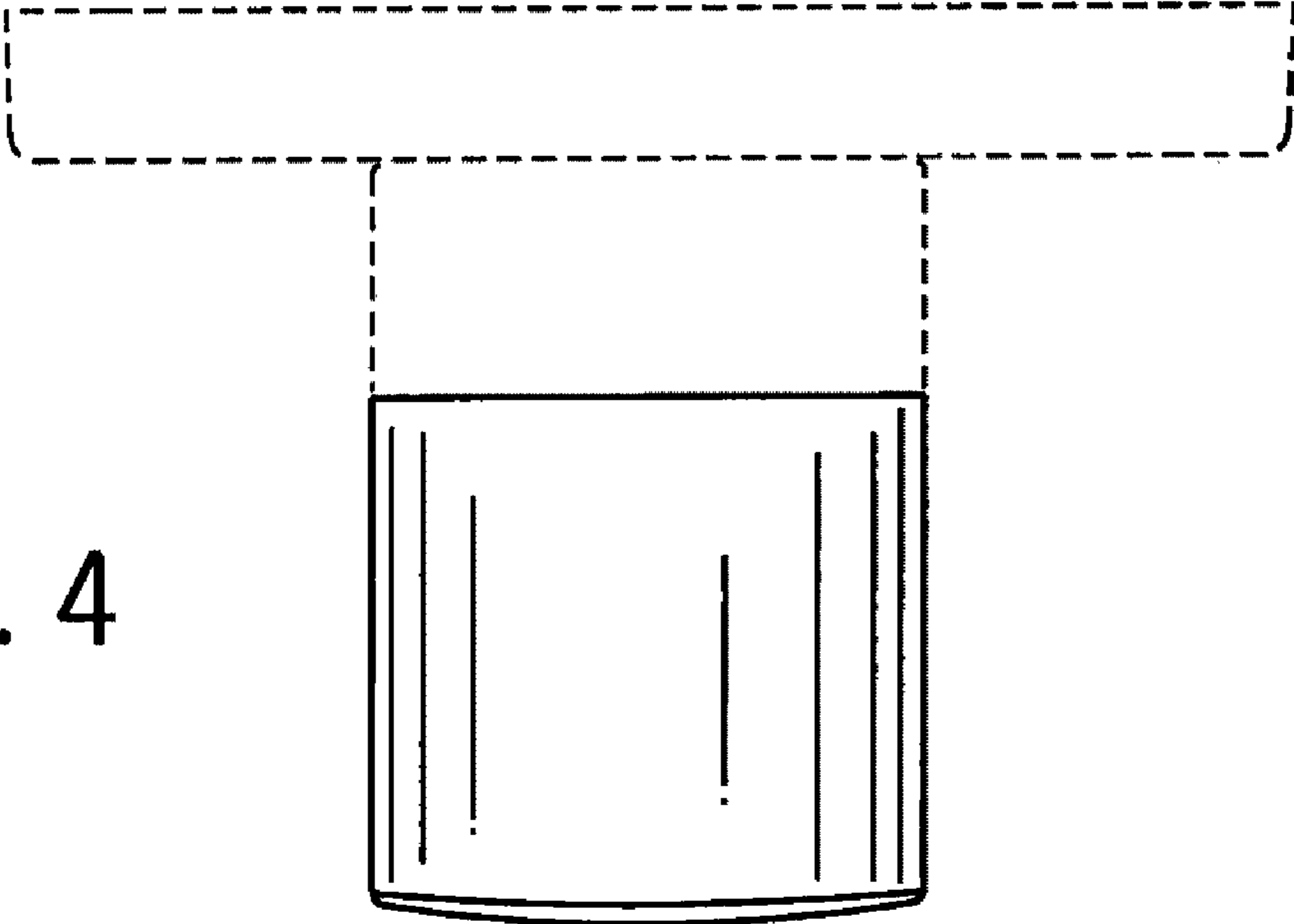
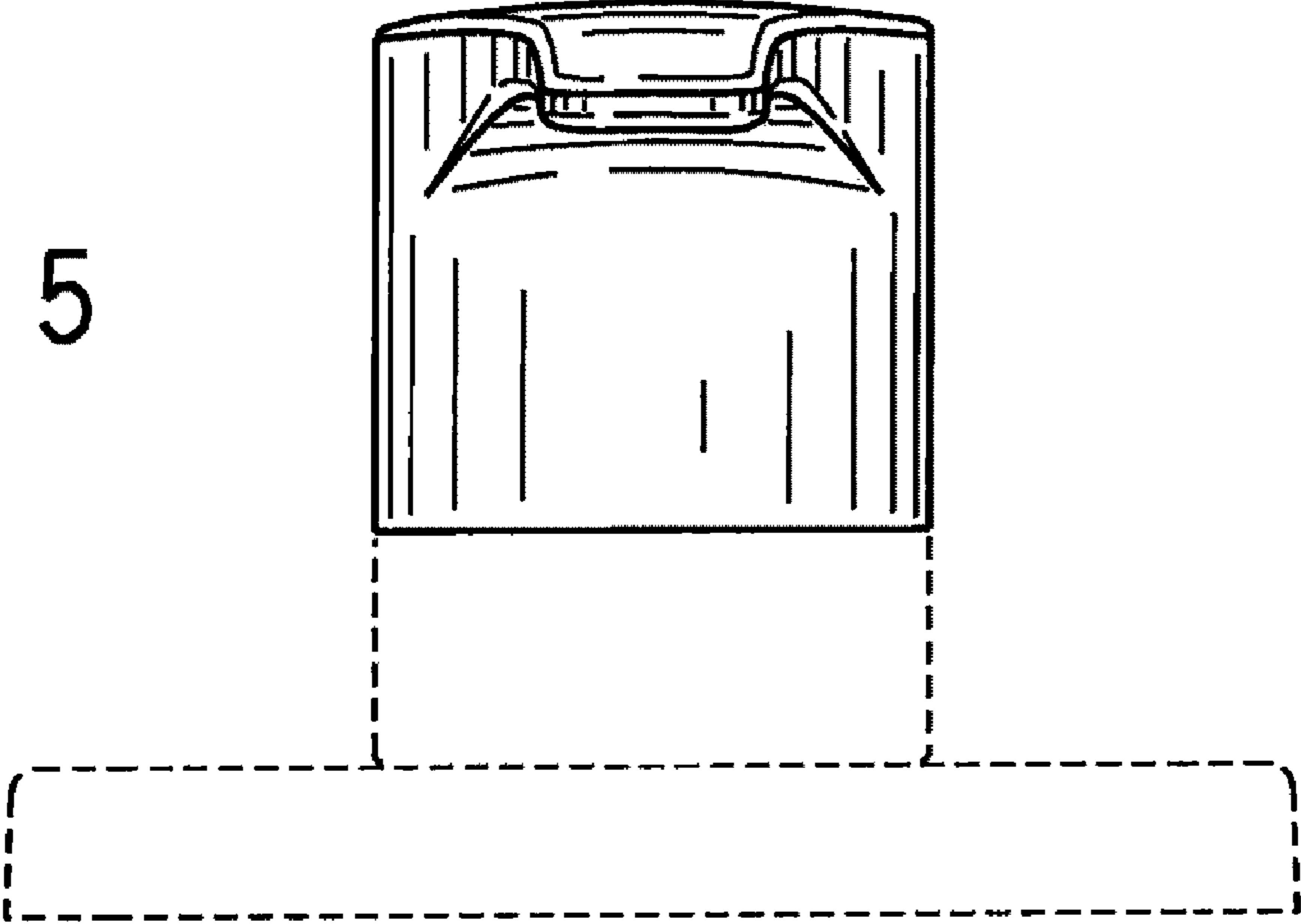


FIG. 5



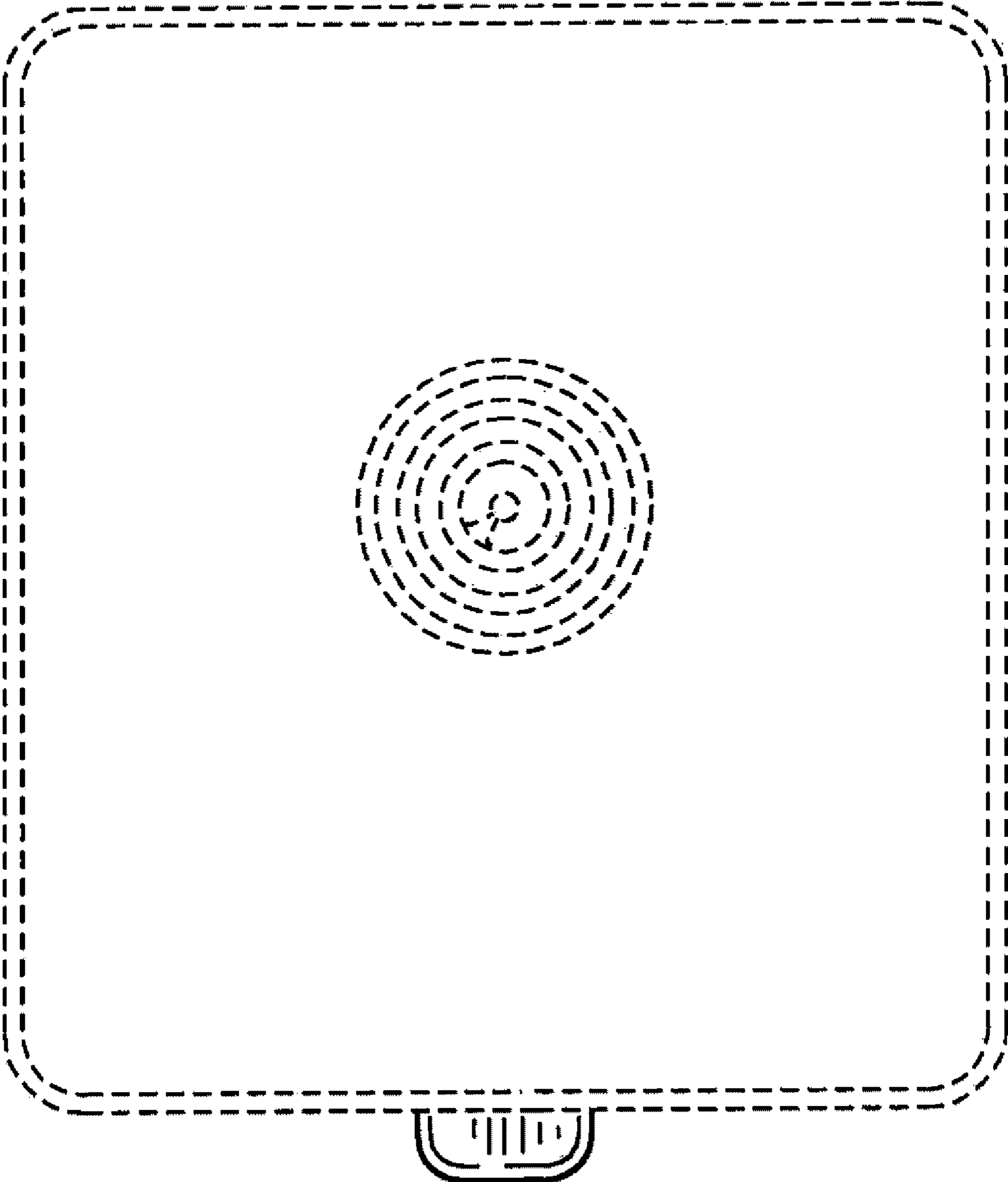


FIG. 6

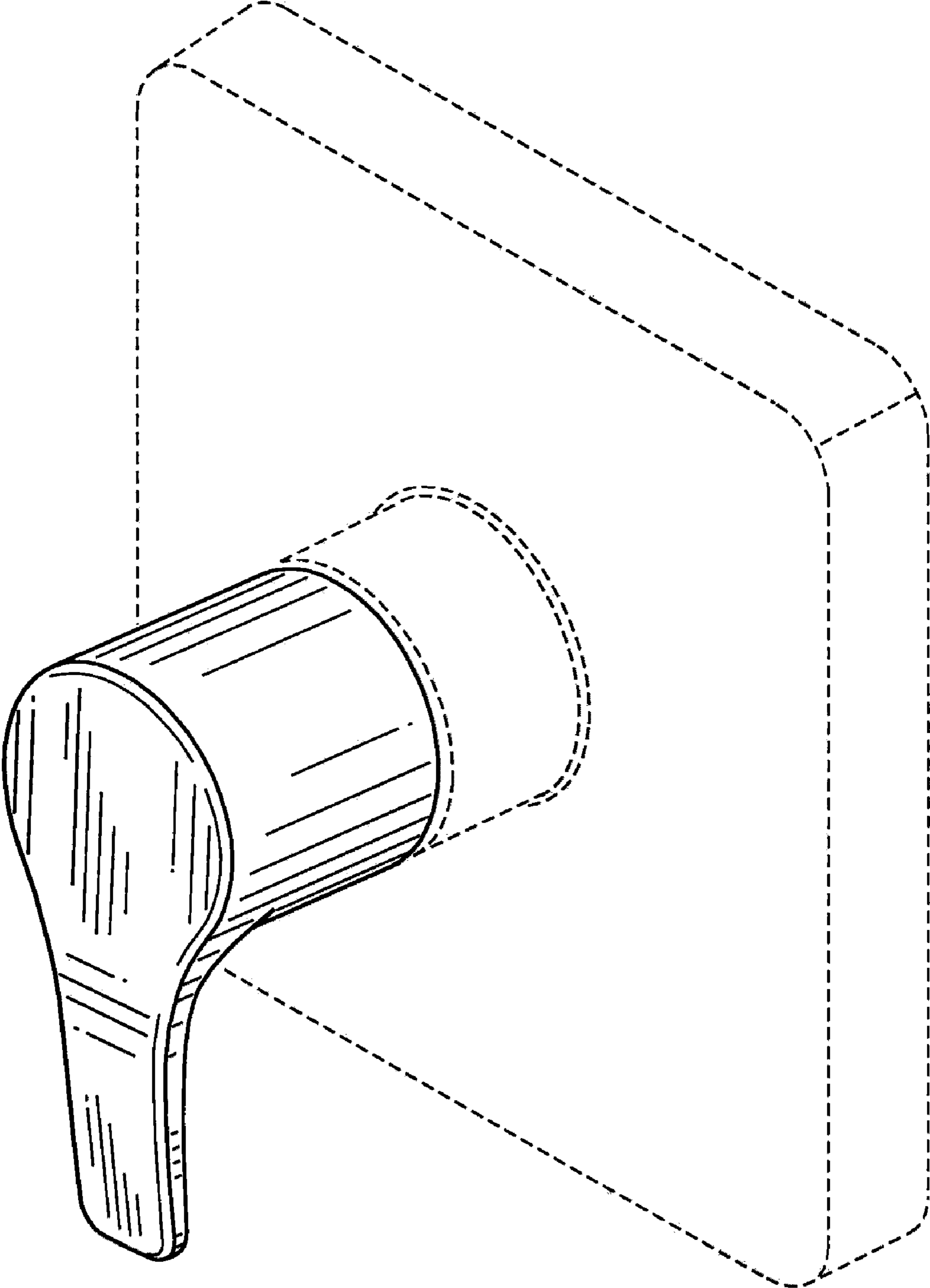


FIG. 7

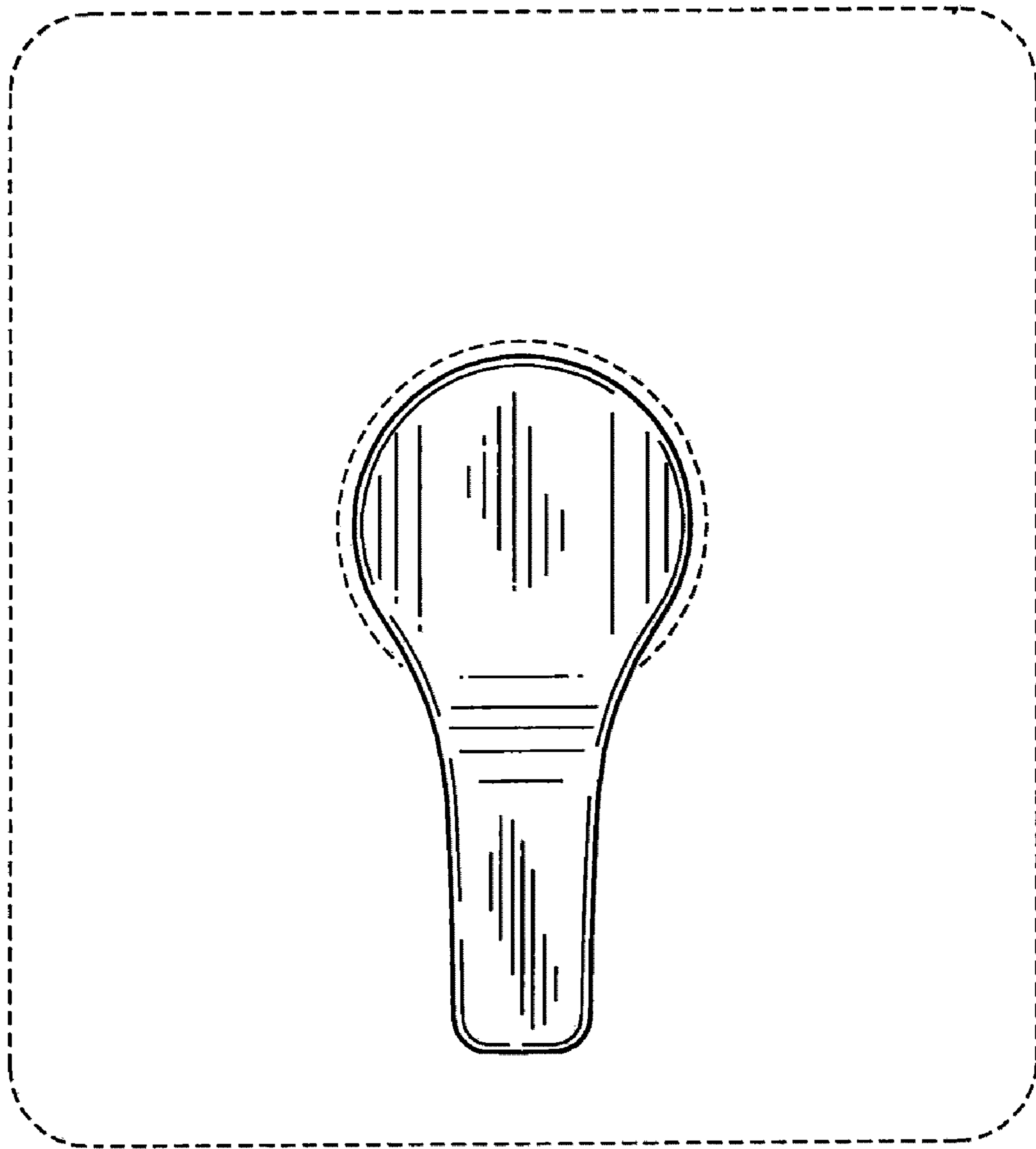


FIG. 8

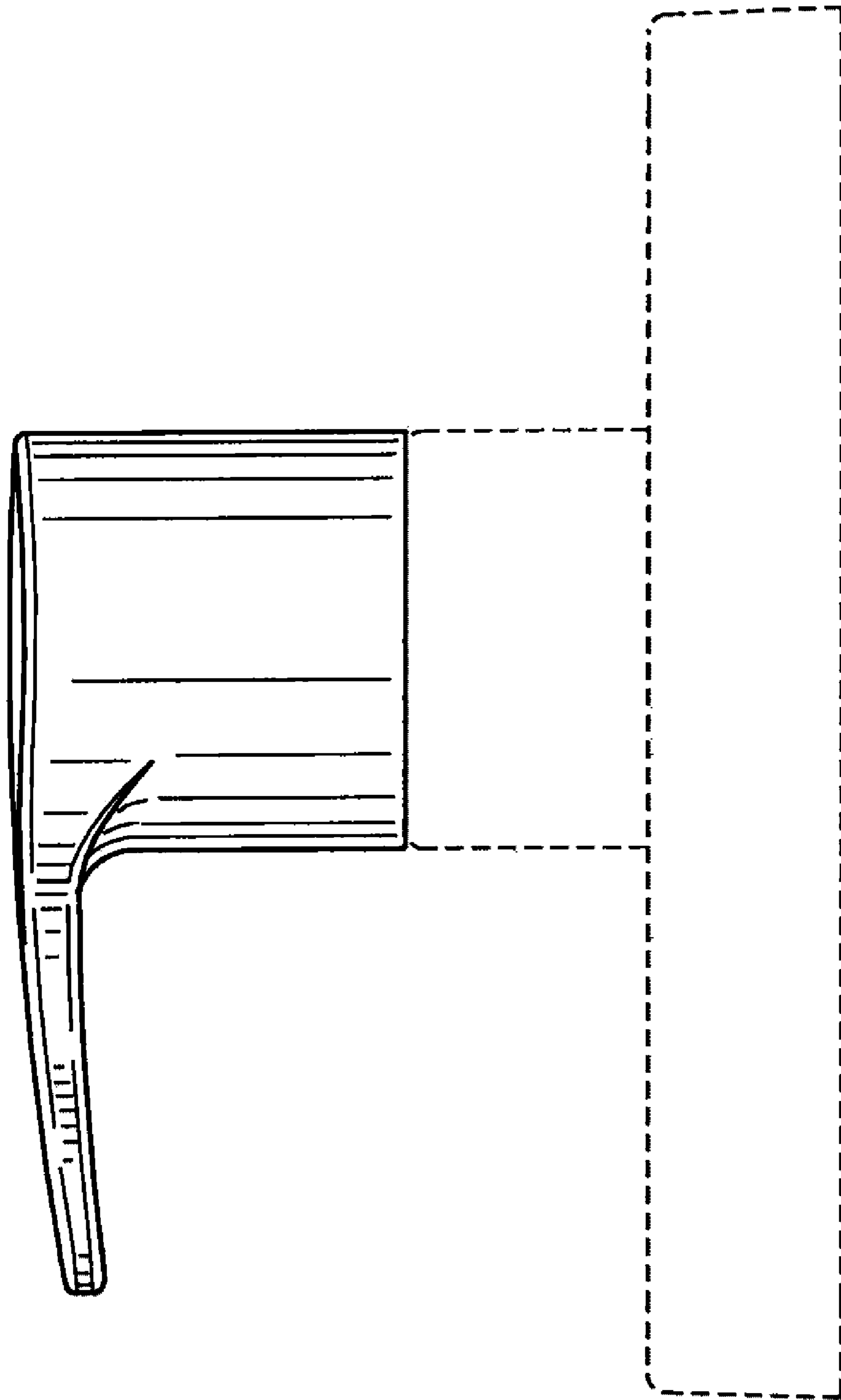


FIG. 9

