



US00D628276S

(12) **United States Design Patent**
Allard et al.

(10) **Patent No.:** **US D628,276 S**

(45) **Date of Patent:** **** Nov. 30, 2010**

(54) **SHOWER CONTROLLER WITH DISPLAY**

D591,182 S * 4/2009 Schoenherr et al. D10/49

(75) Inventors: **Jochen Allard**, Menden (DE); **Paul Flowers**, Duesseldorf (DE)

* cited by examiner

Primary Examiner—Robert A Delehanty

(73) Assignee: **Grohe AG**, Hemer (DE)

(74) *Attorney, Agent, or Firm*—Muncy, Geissler, Olds & Lowe, PLLC

(**) Term: **14 Years**

(57) **CLAIM**

(21) Appl. No.: **29/341,950**

The ornamental design of a shower controller with display, as shown and described.

(22) Filed: **Aug. 14, 2009**

DESCRIPTION

(30) **Foreign Application Priority Data**

Feb. 18, 2009 (EM) 001090567-0004

FIG. 1 is a perspective view of a shower controller with display according to an embodiment of the present invention.

(51) **LOC (9) Cl.** **23-01**

FIG. 2 is a left side elevational view of the shower controller with display of FIG. 1.

(52) **U.S. Cl.** **D23/250; D11/49**

FIG. 3 is a right side elevational view of the shower controller with display of FIG. 1.

(58) **Field of Classification Search** D23/238–243,
D23/250, 254; 4/676, 678; D8/350–353;
137/359; D10/49, 96, 102

FIG. 4 is a front elevational view of the shower controller with display of FIG. 1; and,

See application file for complete search history.

FIG. 5 is a top plan view of the shower controller with display of FIG. 1, the bottom plan view being a mirror image thereof.

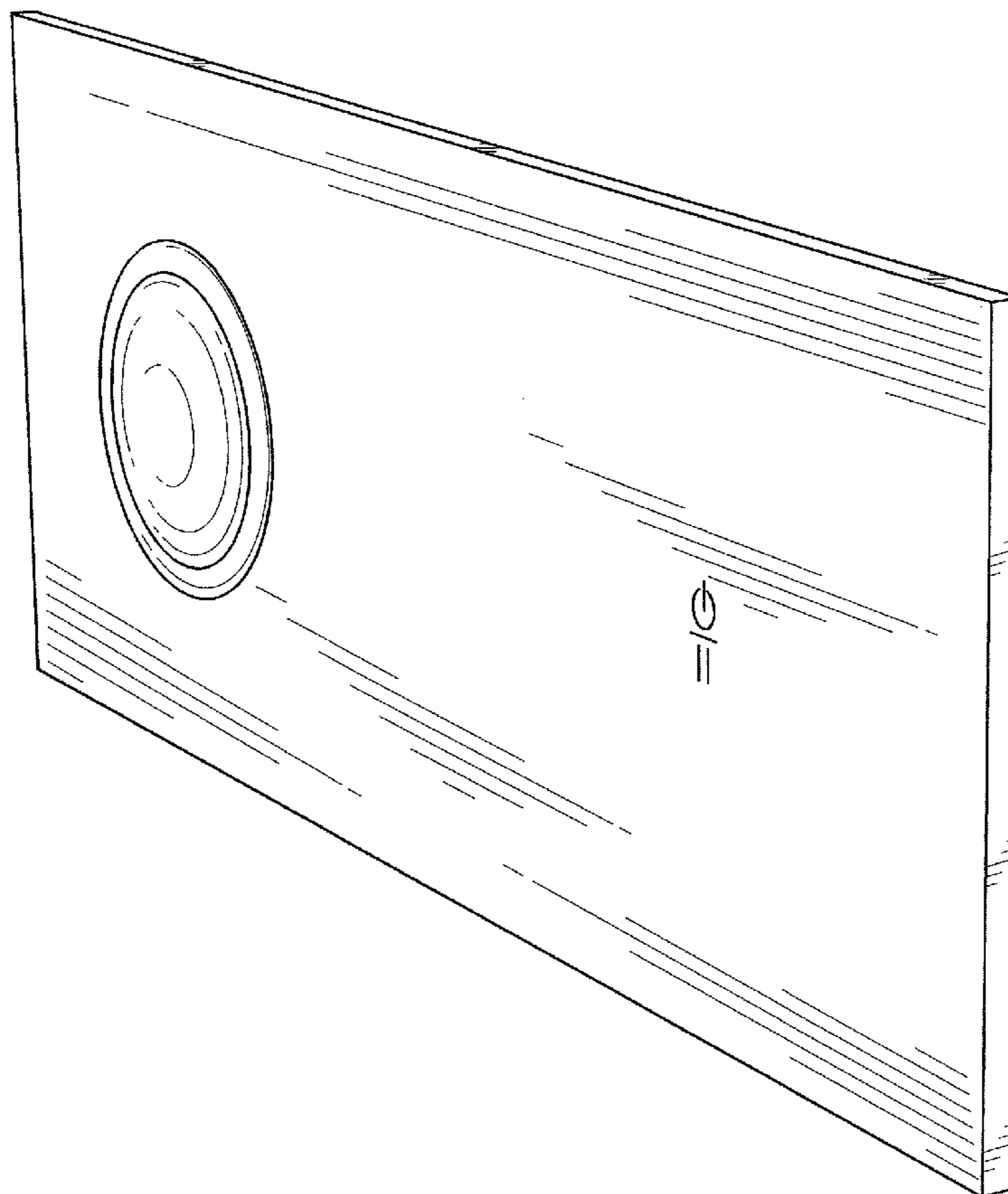
The rear surface of the shower controller with display is unornamented.

(56) **References Cited**

U.S. PATENT DOCUMENTS

D575,647 S * 8/2008 Lobermeier et al. D10/49

1 Claim, 3 Drawing Sheets



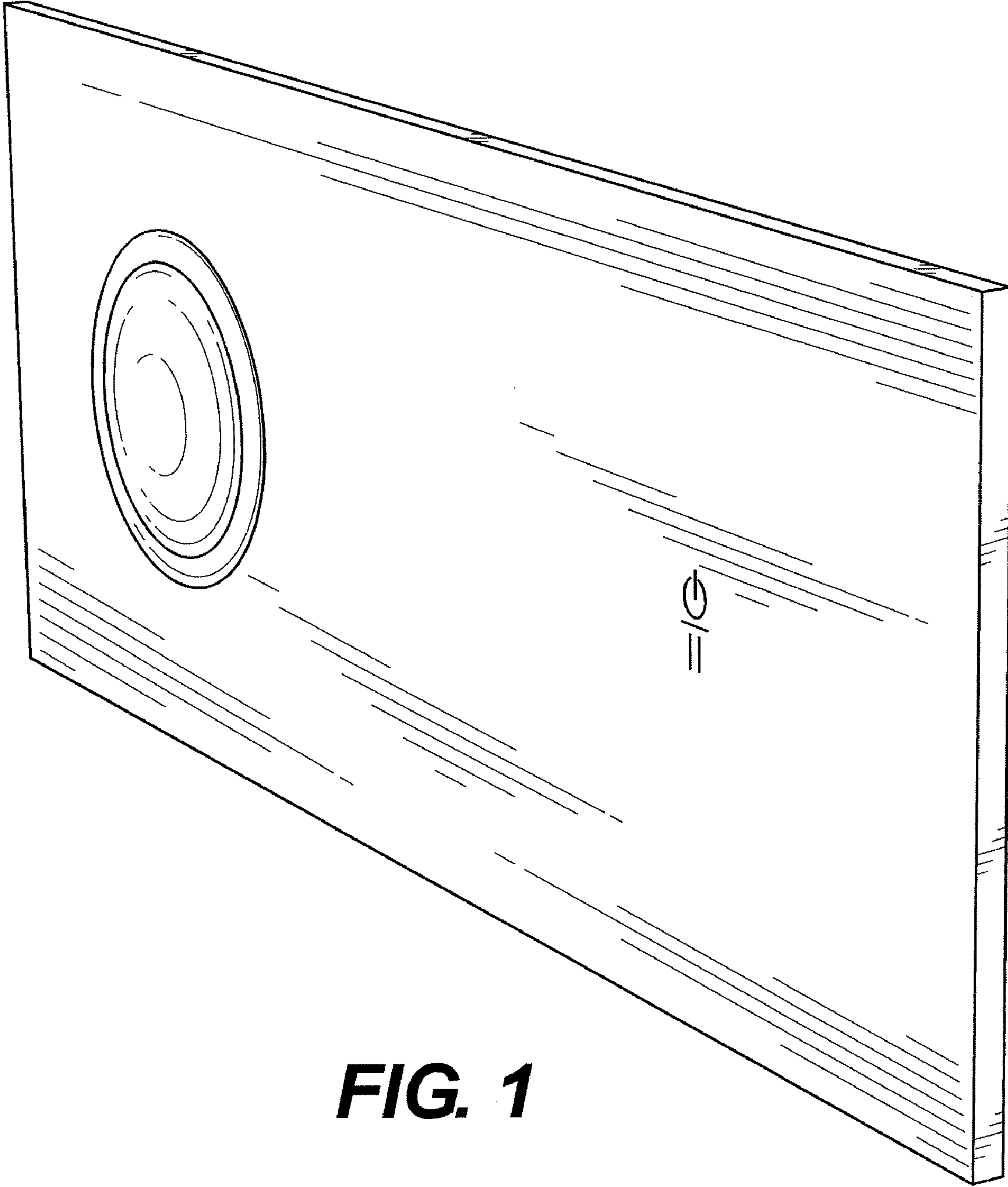


FIG. 1



FIG. 2



FIG. 3

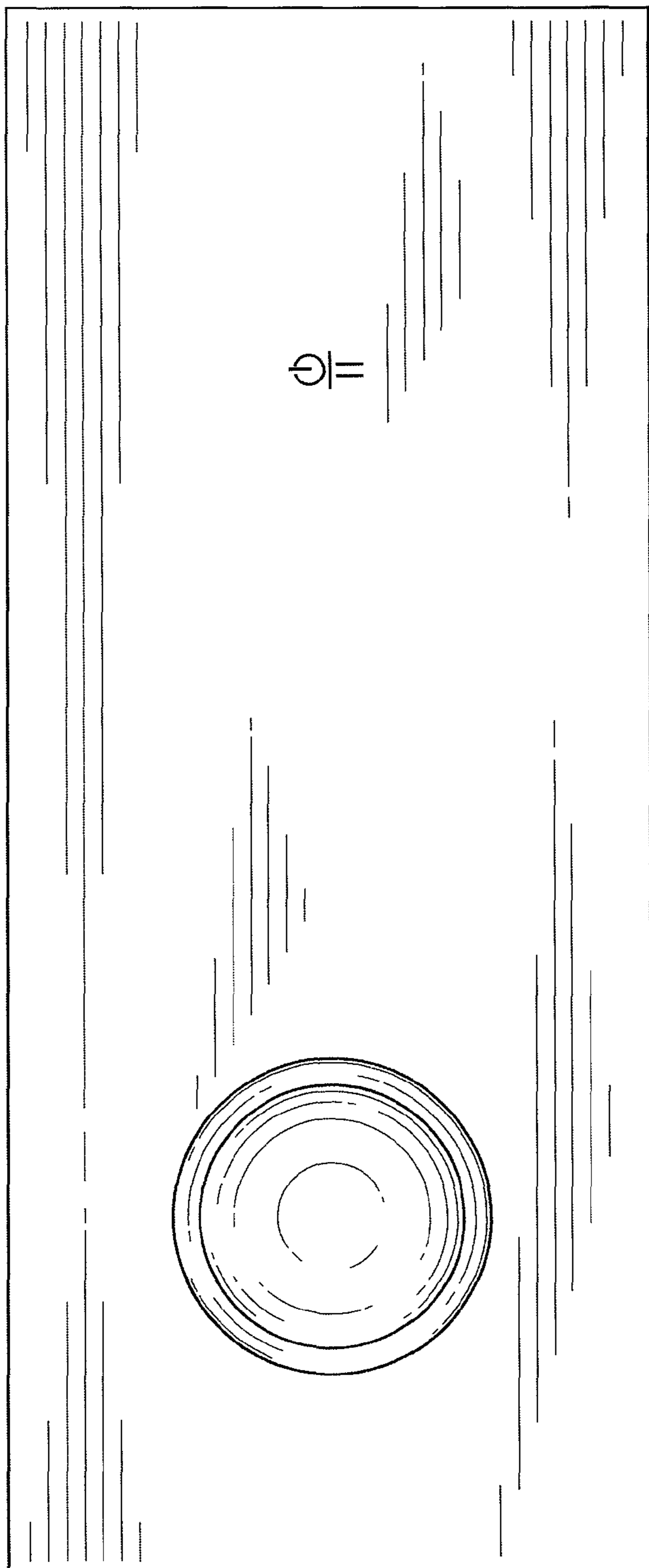


FIG. 4



FIG. 5