



US00D628275S

(12) **United States Design Patent**
Lammel et al.

(10) **Patent No.:** **US D628,275 S**

(45) **Date of Patent:** **** Nov. 30, 2010**

(54) **FAUCET**

(75) Inventors: **Michael Lammel**, Aachen (DE);
Michael Zeisel, Aachen (DE)

(73) Assignee: **KWC AG**, Unterkulm (CH)

(**) Term: **14 Years**

(21) Appl. No.: **29/309,652**

(22) Filed: **Sep. 22, 2008**

(30) **Foreign Application Priority Data**

Apr. 29, 2008 (WO) DM/070 064

(51) **LOC (9) Cl.** **23-01**

(52) **U.S. Cl.** **D23/238**

(58) **Field of Classification Search** D23/200,
D23/238-257; D6/512, 546, 550; D8/300,
D8/307-308, 310-312, 321; 4/675-678;
137/801; 16/110.1, 441

See application file for complete search history.

(56) **References Cited**

U.S. PATENT DOCUMENTS

D466,977 S	*	12/2002	Cummings	D23/238
D487,133 S	*	2/2004	Haug et al.	D23/238
D517,647 S	*	3/2006	Kulig	D23/238
D526,389 S		8/2006	Lammel et al.		
D527,074 S	*	8/2006	Lammel et al.	D23/238
D528,188 S	*	9/2006	Lammel et al.	D23/238
D528,635 S		9/2006	Lammel et al.		
D528,636 S	*	9/2006	Latoracca	D23/238
D529,131 S	*	9/2006	Haug et al.	D23/238
D529,991 S	*	10/2006	Egli et al.	D23/238
D531,699 S	*	11/2006	Haug et al.	D23/238
D538,402 S		3/2007	Lammel et al.		
D539,870 S		4/2007	Lammel et al.		
D548,308 S	*	8/2007	Hoernig	D23/238

D550,813 S		9/2007	Lammel et al.		
D566,238 S		4/2008	Lammel et al.		
D572,797 S	*	7/2008	Kubler	D23/238
D577,104 S	*	9/2008	Latorraca	D23/238
D579,081 S	*	10/2008	Ziemann et al.	D23/238
D586,881 S	*	2/2009	Lammel et al.	D23/238
D591,398 S	*	4/2009	Lammel et al.	D23/238
D594,936 S	*	6/2009	Schoenherr et al.	D23/238
D598,071 S	*	8/2009	Lammel et al.	D23/238

OTHER PUBLICATIONS

U.S. Appl. No. 29/259,023, filed May 2, 2006, Lammel, et al.
U.S. Appl. No. 29/287,563, filed Aug. 23, 2007, Lammel, et al.
U.S. Appl. No. 29/300,695, filed Apr. 28, 2008, Lammel, et al.
U.S. Appl. No. 29/309,648, filed Sep. 19, 2008, Lammel, et al.
U.S. Appl. No. 29/309,652, filed Sep. 22, 2008, Lammel, et al.

* cited by examiner

Primary Examiner—T. Chase Nelson

Assistant Examiner—Mark Cavanna

(74) *Attorney, Agent, or Firm*—Oblon, Spivak, McClelland,
Maier & Neustadt, L.L.P.

(57) **CLAIM**

The ornamental design for a faucet, as shown and described.

DESCRIPTION

FIG. 1 is a right side elevational view of a faucet, showing our new design;

FIG. 2 is a left side perspective view thereof;

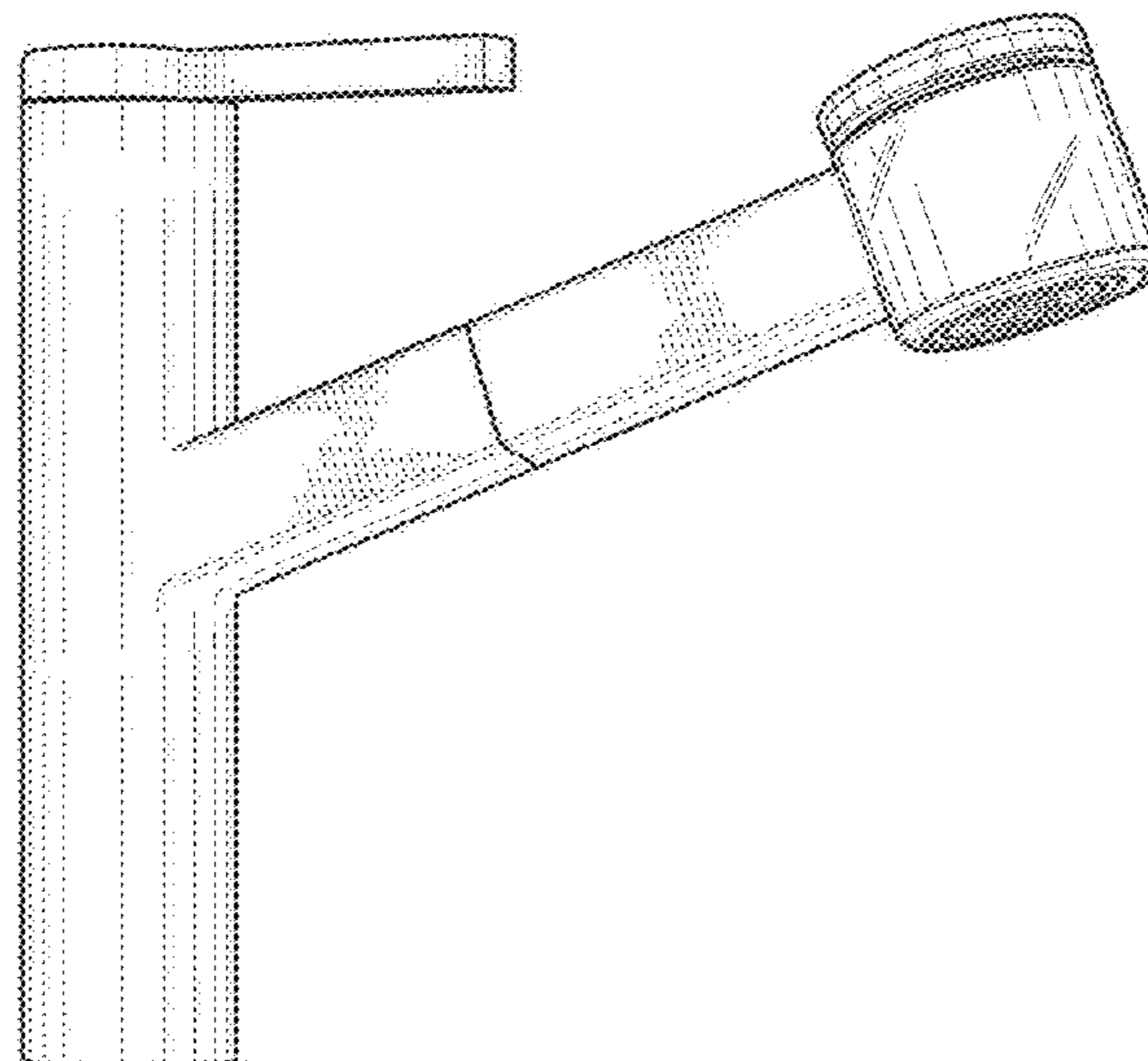
FIG. 3 is an enlarged bottom plan view of the nozzle thereof;

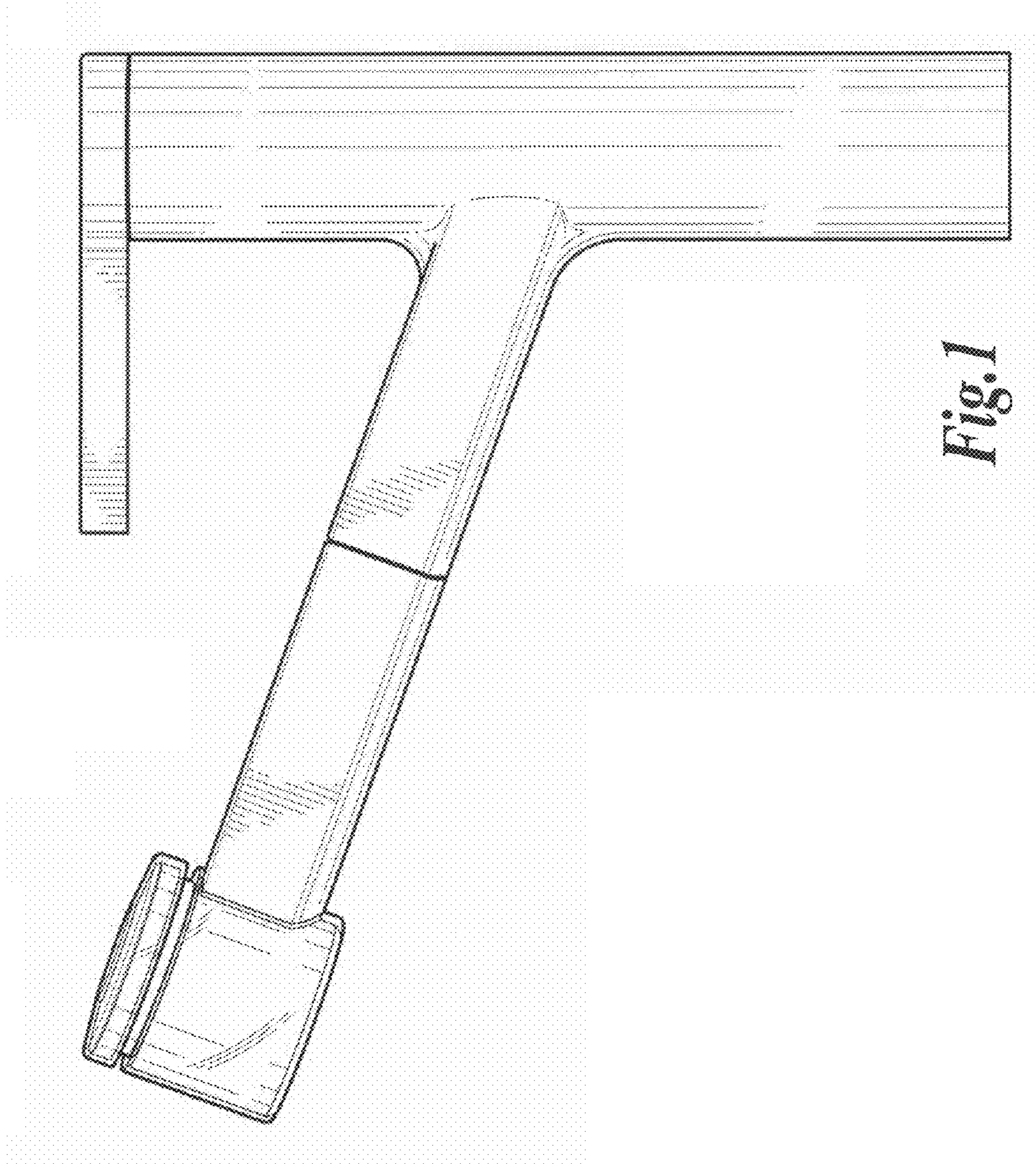
FIG. 4 is left side elevational view of the handle portion thereof when in use;

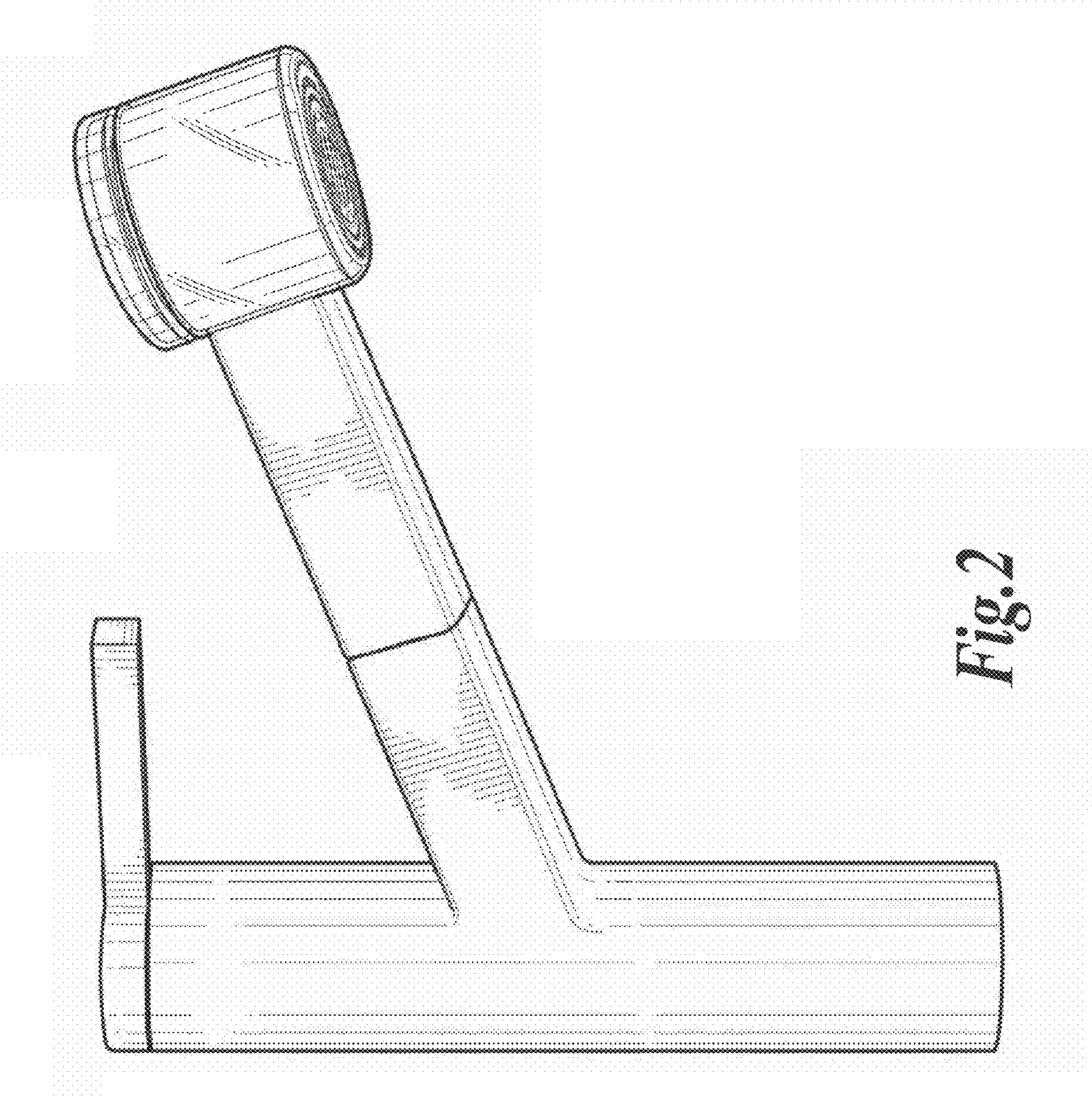
FIG. 5 is a top plan view thereof; and,

FIG. 6 is a front elevational view thereof.

1 Claim, 6 Drawing Sheets







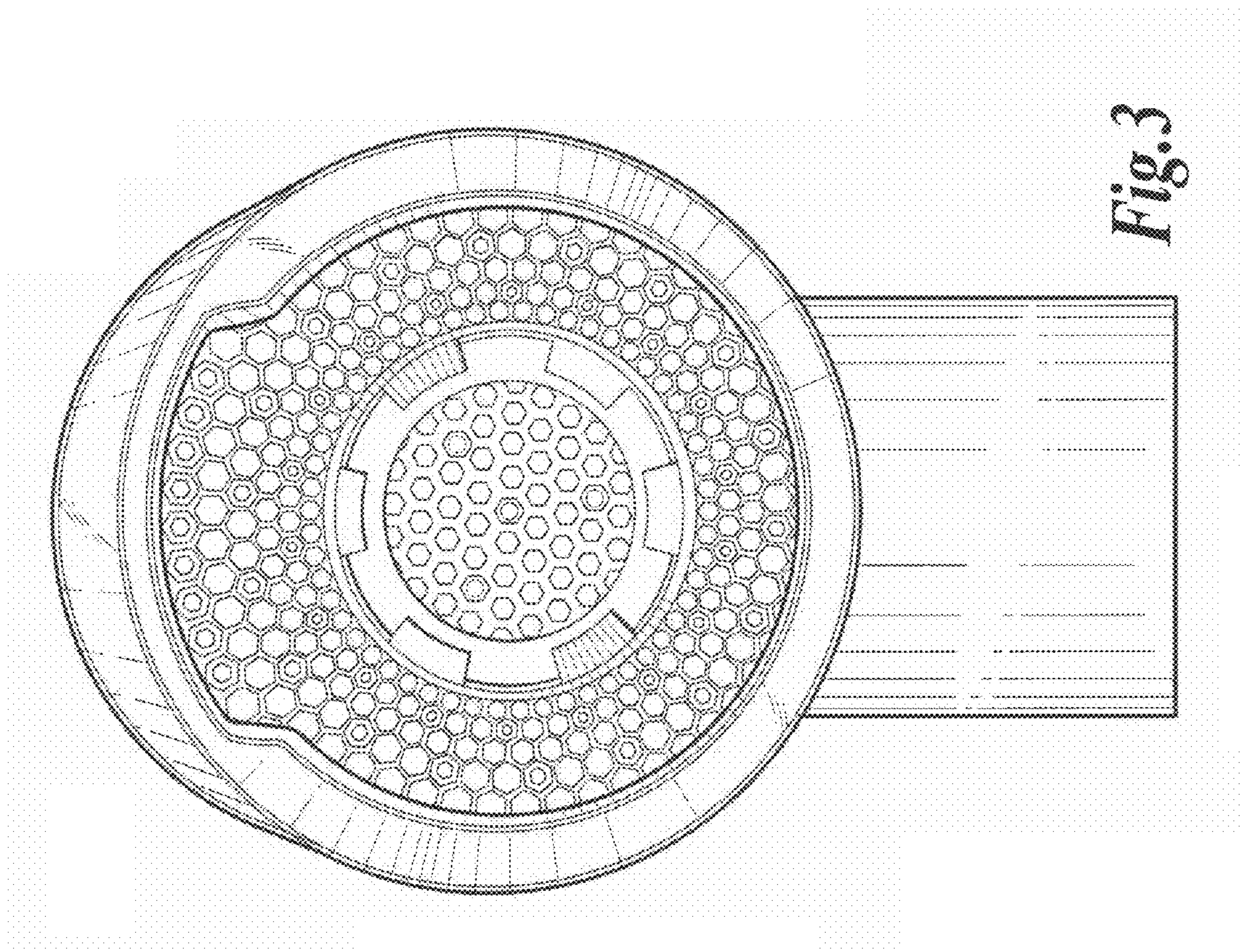
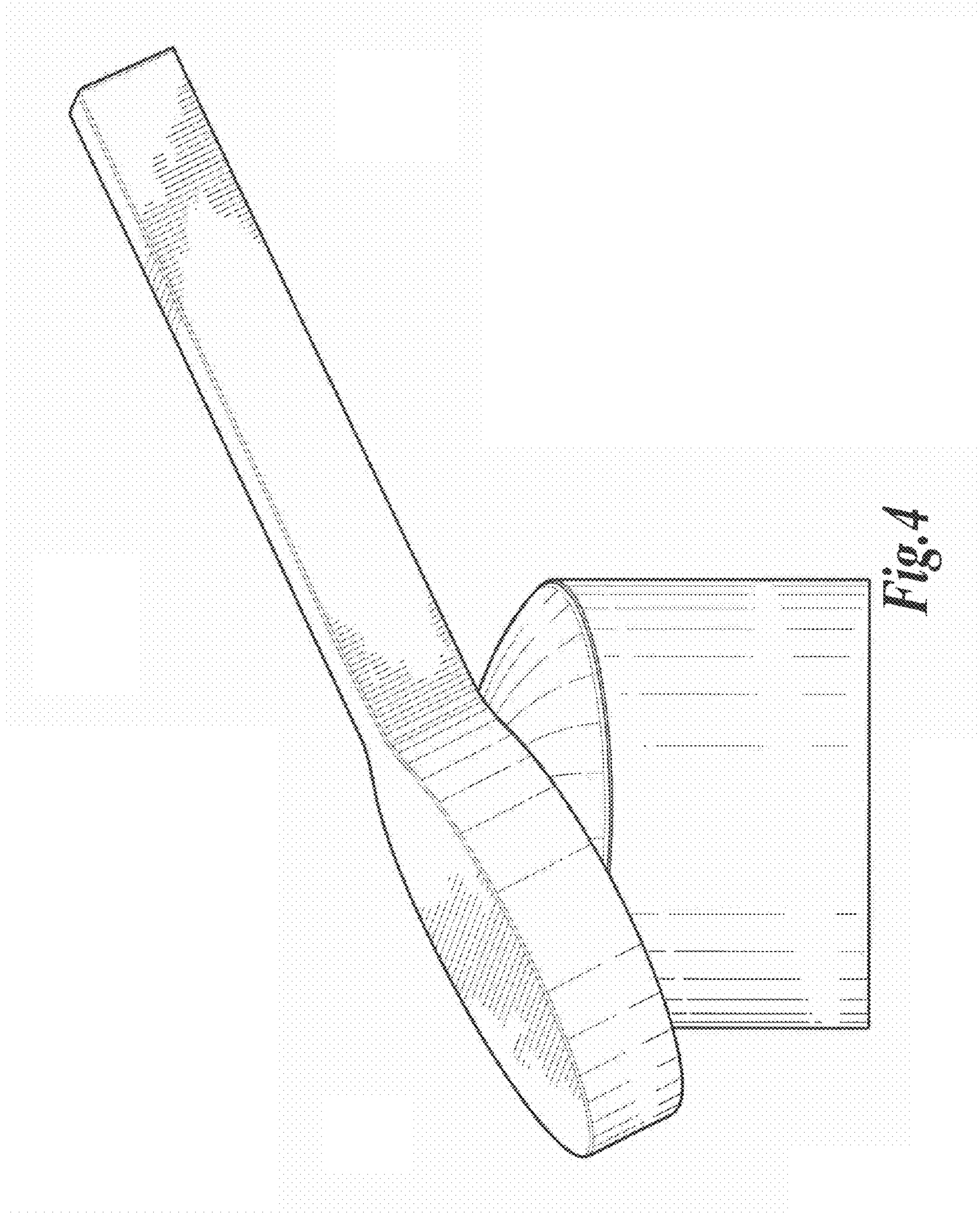


Fig. 3



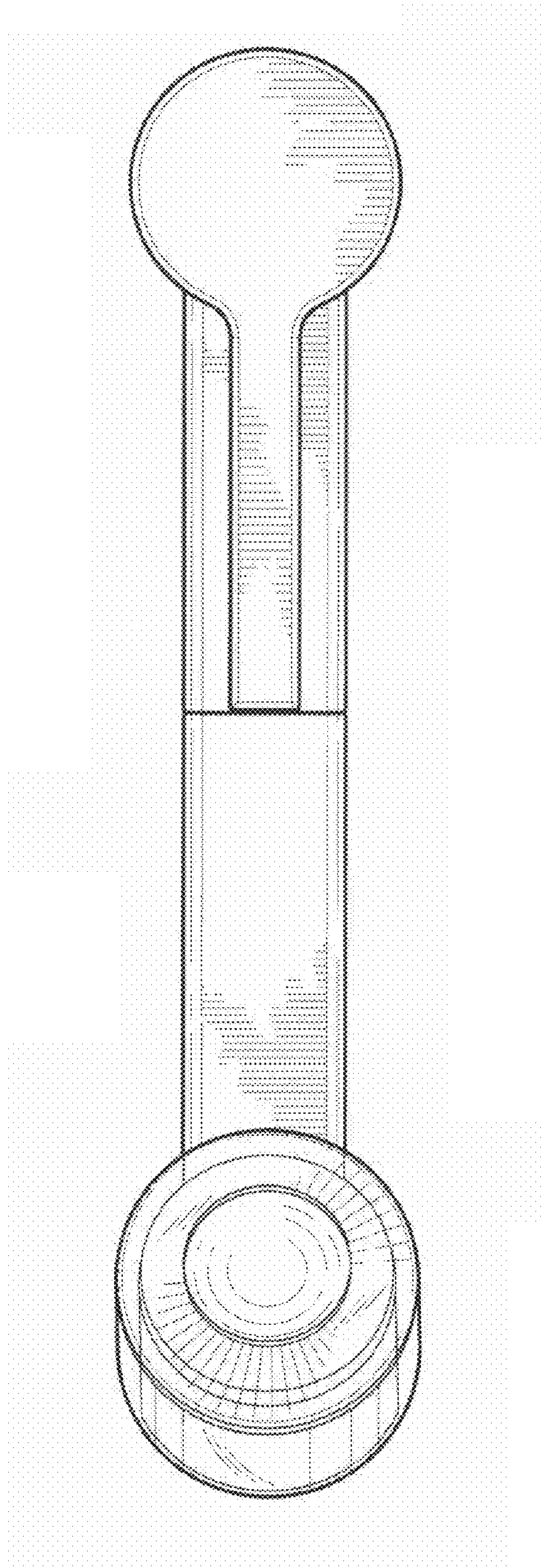


Fig. 5

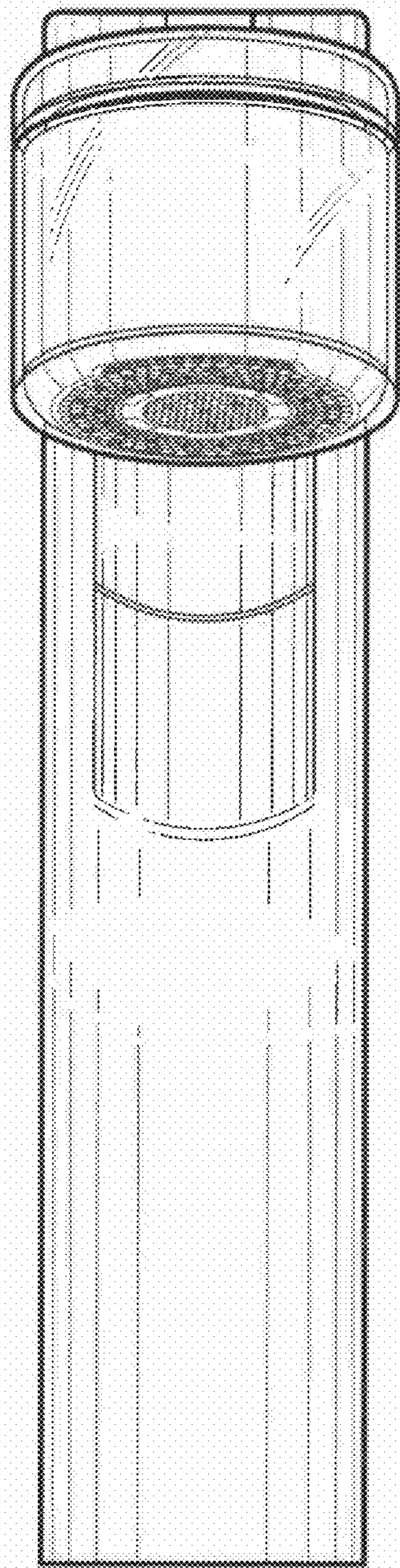


Fig. 6