



US00D628273S

(12) **United States Design Patent**  
**Stone, III**

(10) **Patent No.:** **US D628,273 S**

(45) **Date of Patent:** **\*\* Nov. 30, 2010**

(54) **FLOAT VALVE FITTING**

(76) **Inventor:** **Harley E. Stone, III**, 5570-503 Florida Mining Blvd. South, Jacksonville, FL (US) 32257

(\*\*) **Term:** **14 Years**

(21) **Appl. No.:** **29/348,493**

(22) **Filed:** **Jan. 12, 2010**

(51) **LOC (9) Cl.** ..... **23-01**

(52) **U.S. Cl.** ..... **D23/233**

(58) **Field of Classification Search** ..... D23/233-237, D23/244-249, 258, 259, 262, 265; 137/434, 137/436, 437, 438, 439, 553, 202, 49, 587, 137/601.01, 601.13; 418/201.2; 251/159, 251/163, 170, 172, 193, 195, 208, 325-328  
See application file for complete search history.

(56) **References Cited**

**U.S. PATENT DOCUMENTS**

D368,131 S *	3/1996	Stone, III	.....	D23/236
D457,600 S *	5/2002	Stone, III	.....	D23/236
7,032,610 B2 *	4/2006	Matsuo et al.	.....	137/202
7,472,717 B2 *	1/2009	Yoshihara	.....	137/202
7,487,951 B2 *	2/2009	Johnson	.....	251/149.1

\* cited by examiner

*Primary Examiner*—Cathron C. Brooks

*Assistant Examiner*—Maurice Stevens

(74) *Attorney, Agent, or Firm*—Thomas C. Saitta

(57) **CLAIM**

The ornamental design for a float valve fitting, as shown and described.

**DESCRIPTION**

FIG. 1 is a front view of the invention, including in dashed lines threading and a float assembly which are not claimed as part of the invention.

FIG. 2 is a rear view of the invention, with the threading and float assembly not shown for clarity.

FIG. 3 is a perspective view of the invention, with the threading and float assembly not shown for clarity.

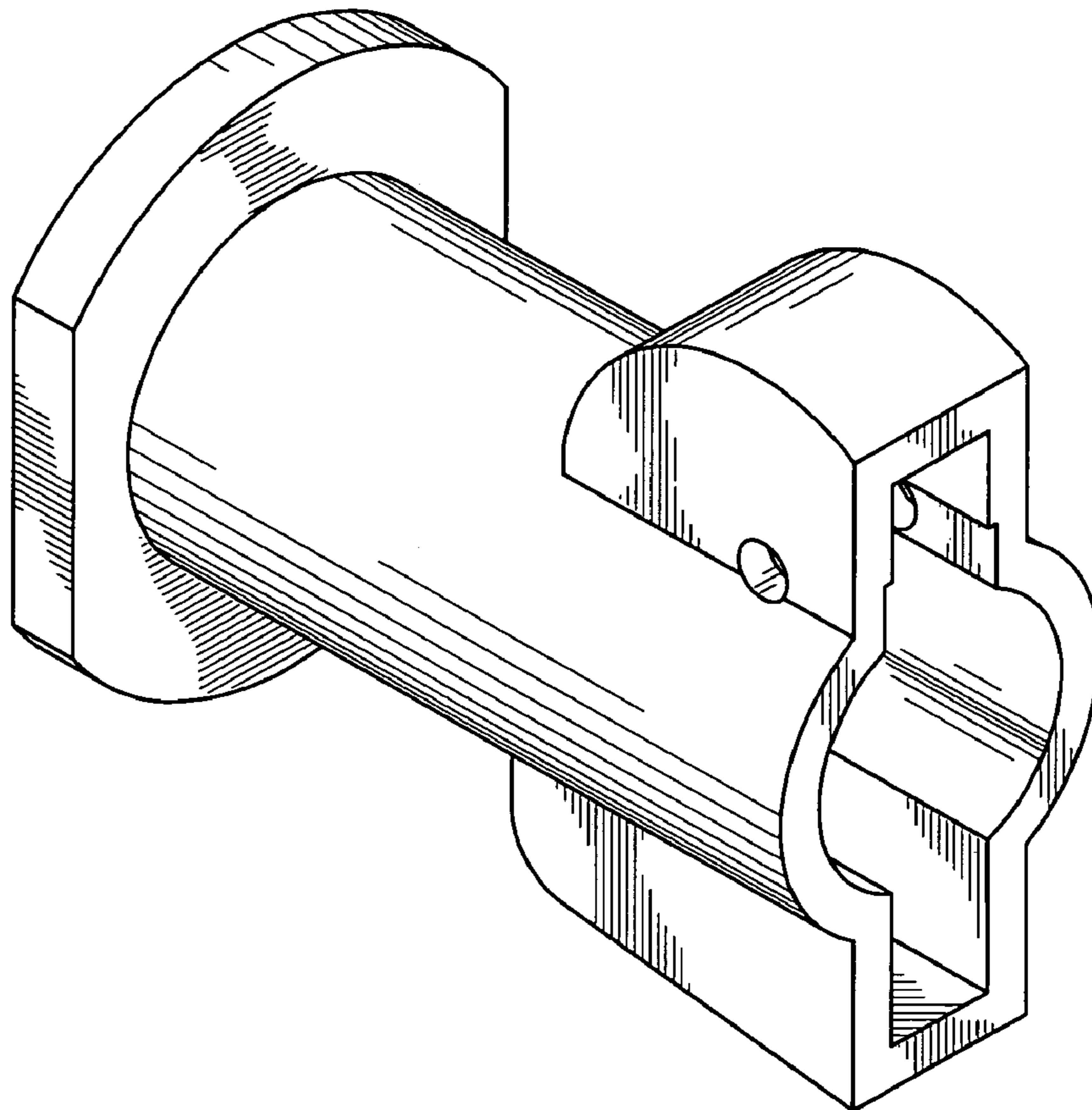
FIG. 4 is a right side view of the invention, with the threading and float assembly not shown for clarity.

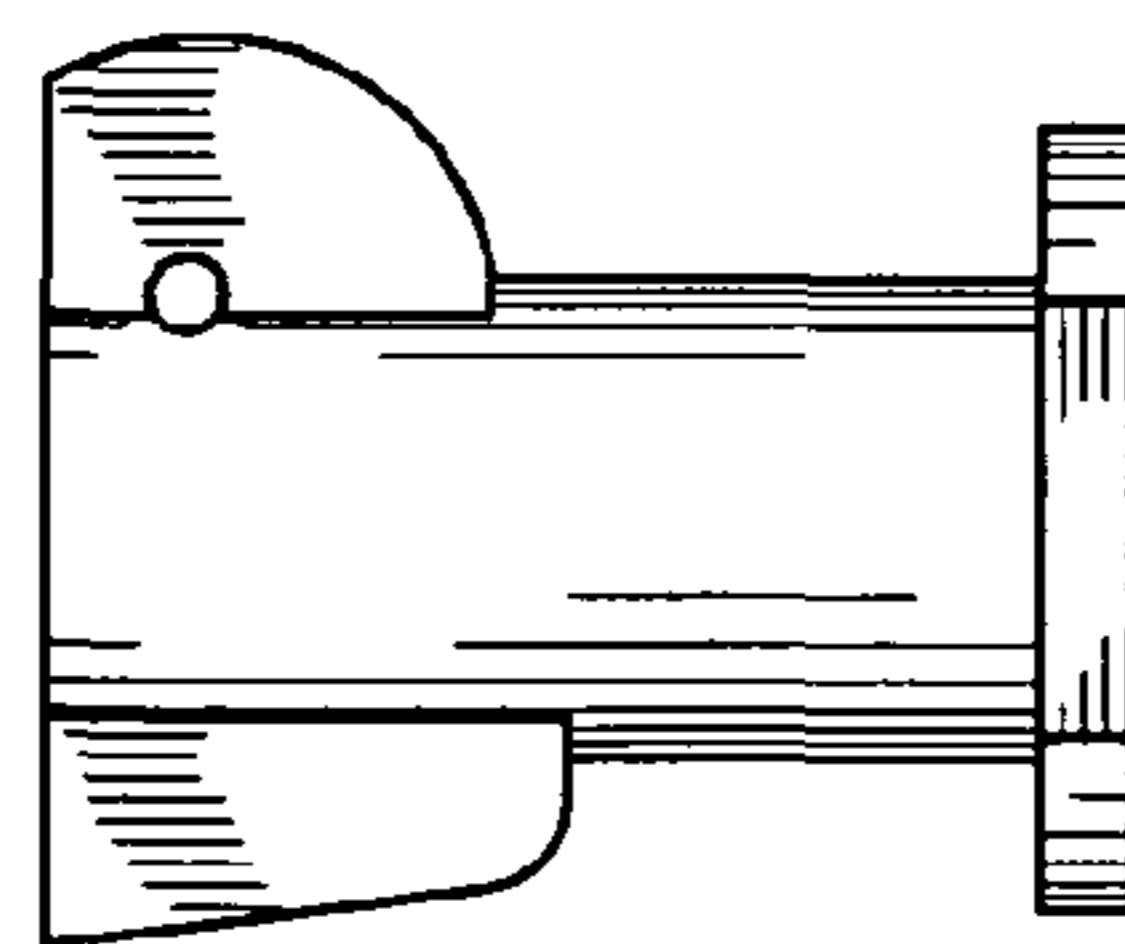
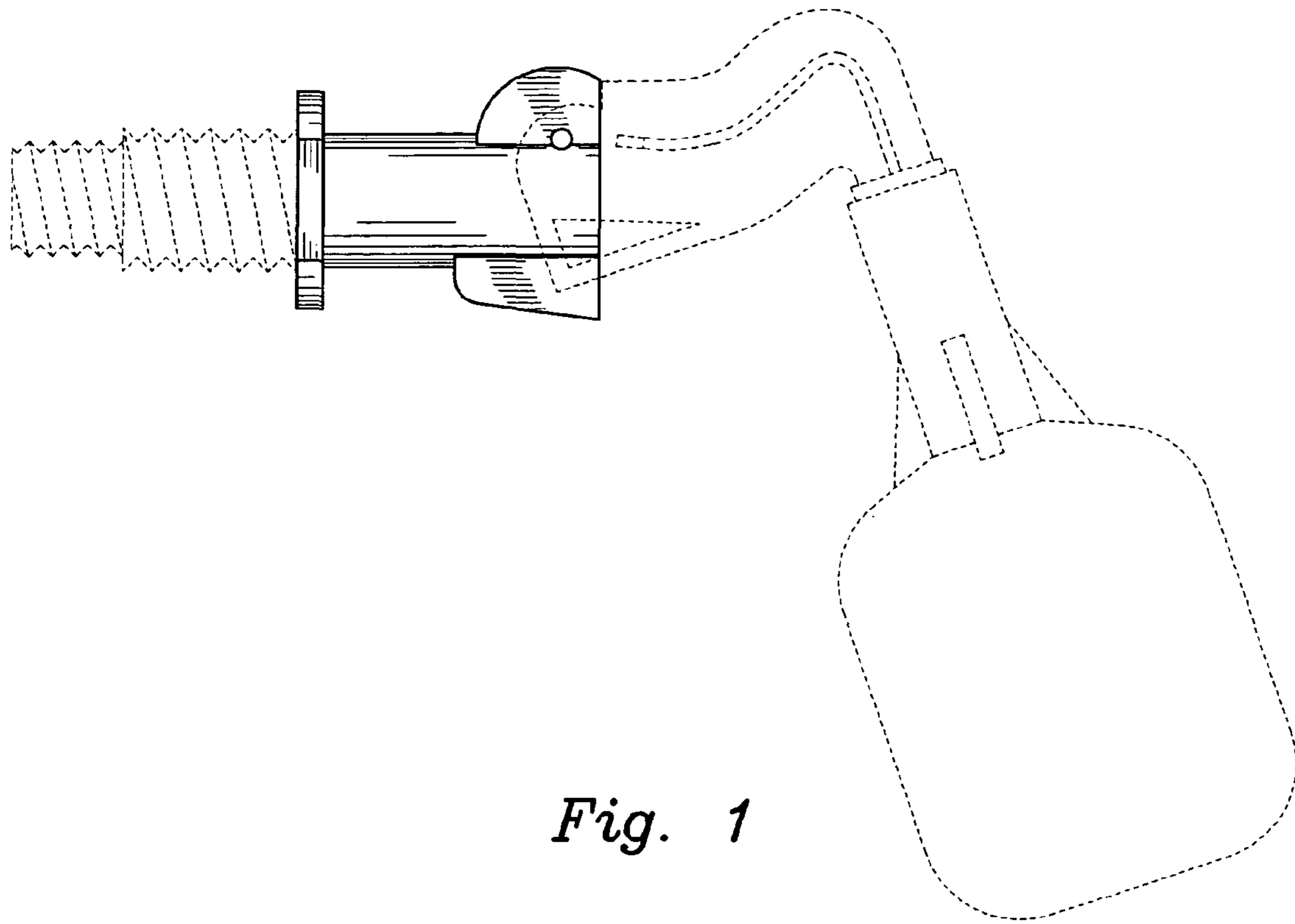
FIG. 5 is a left side view of the invention, with the threading and float assembly not shown for clarity.

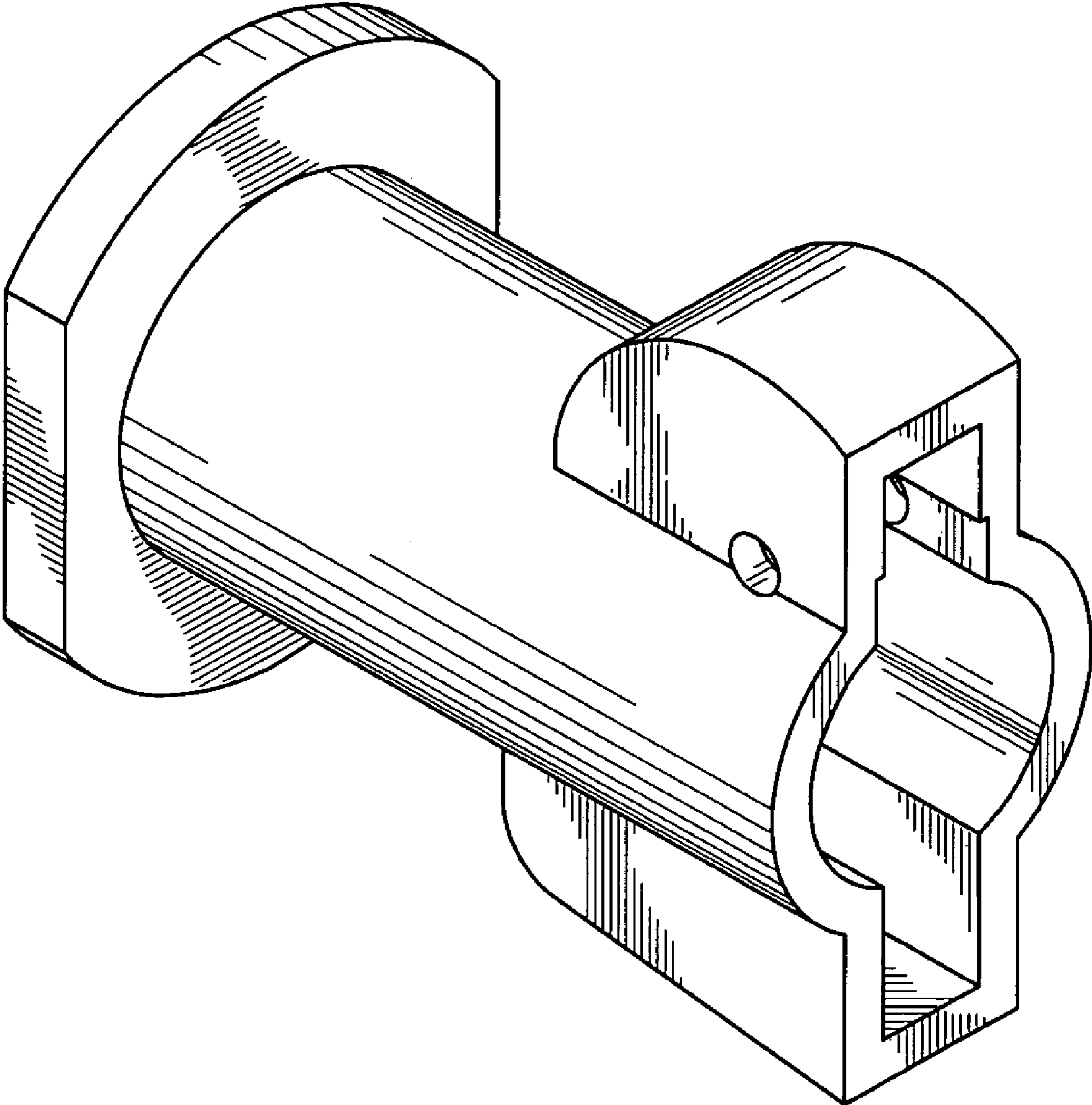
FIG. 6 is a top view of the invention, with the threading and float assembly not shown for clarity; and,

FIG. 7 is a bottom view of the invention, with the threading and float assembly not shown for clarity.

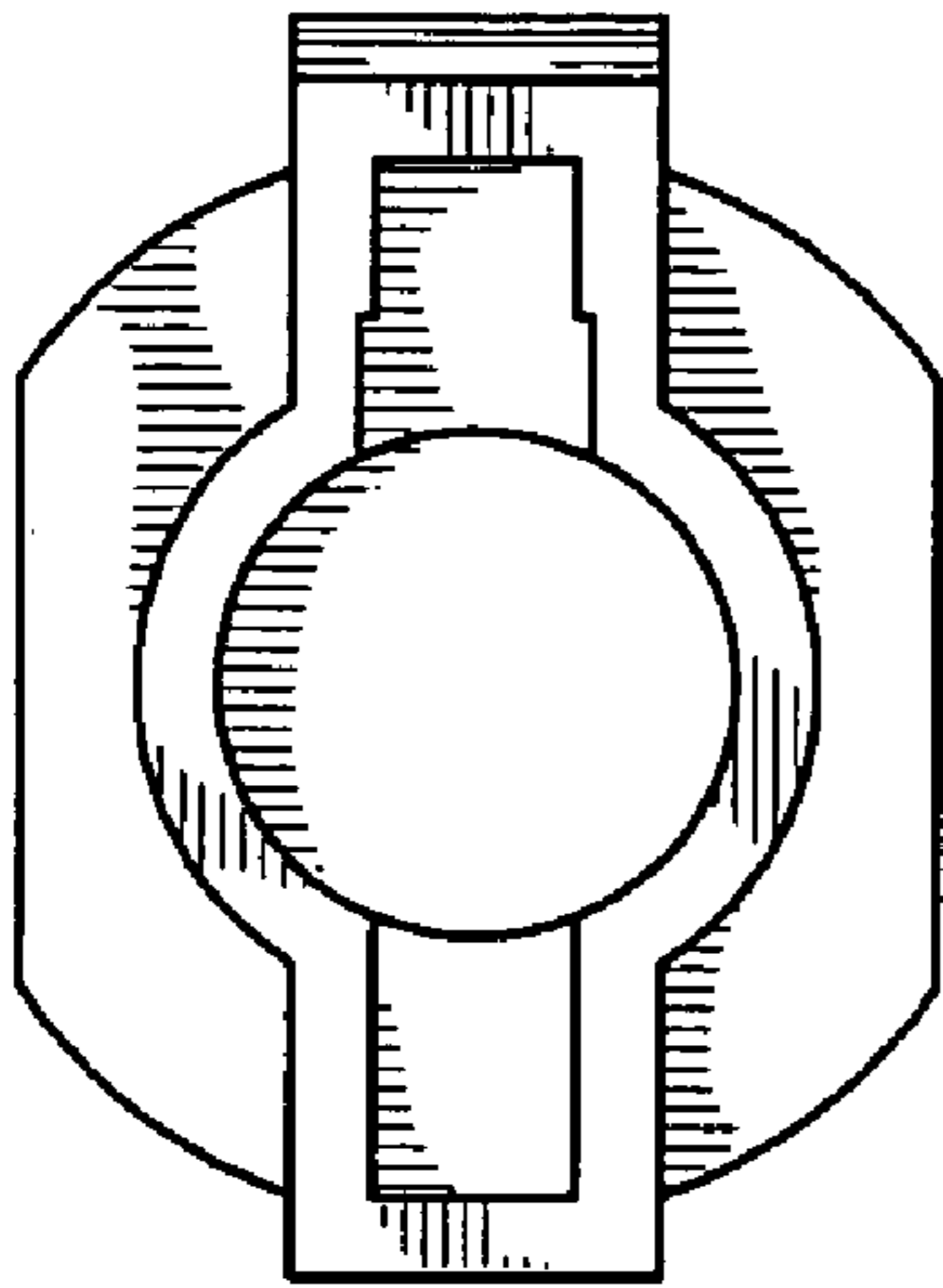
**1 Claim, 3 Drawing Sheets**



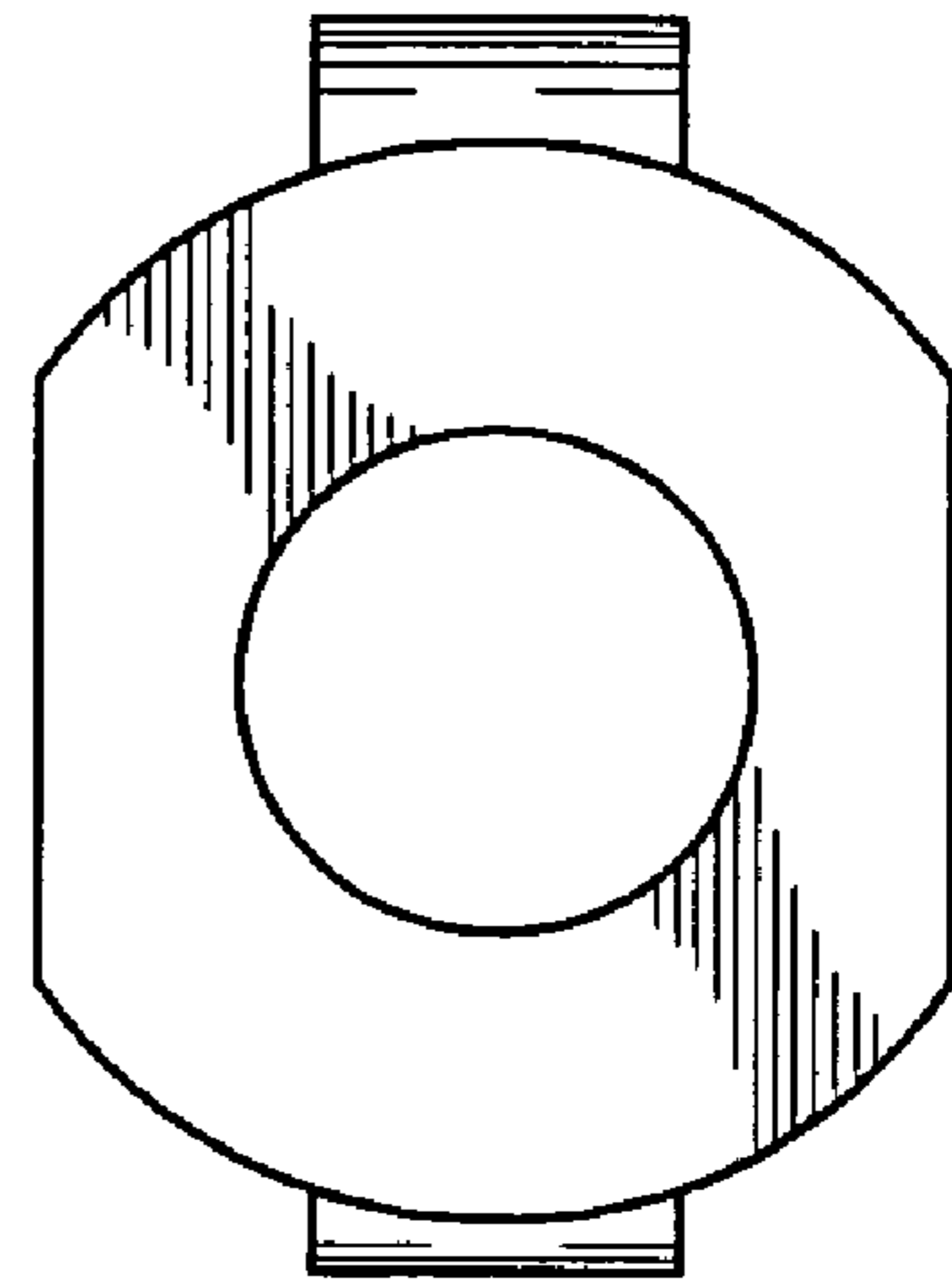




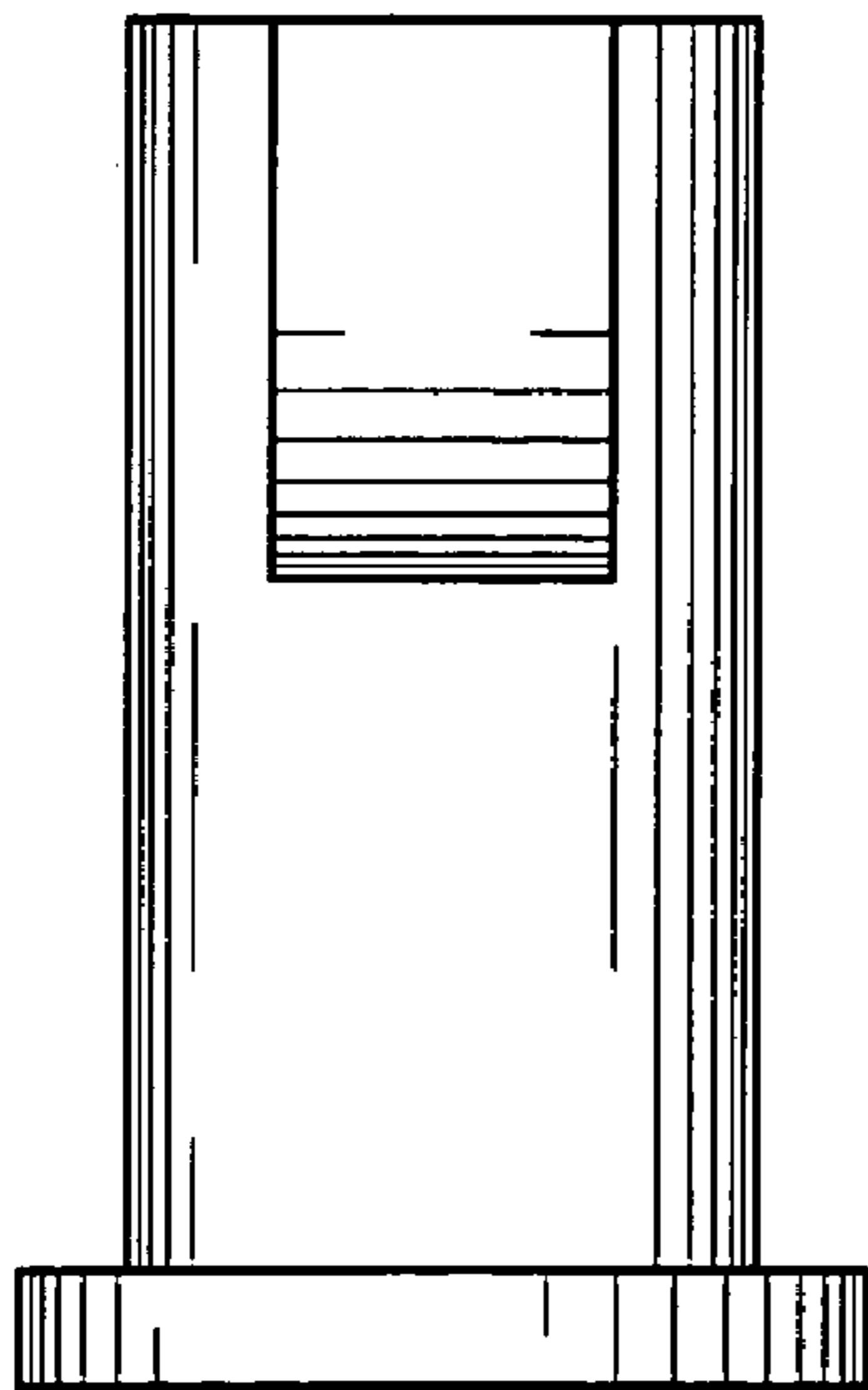
*Fig. 3*



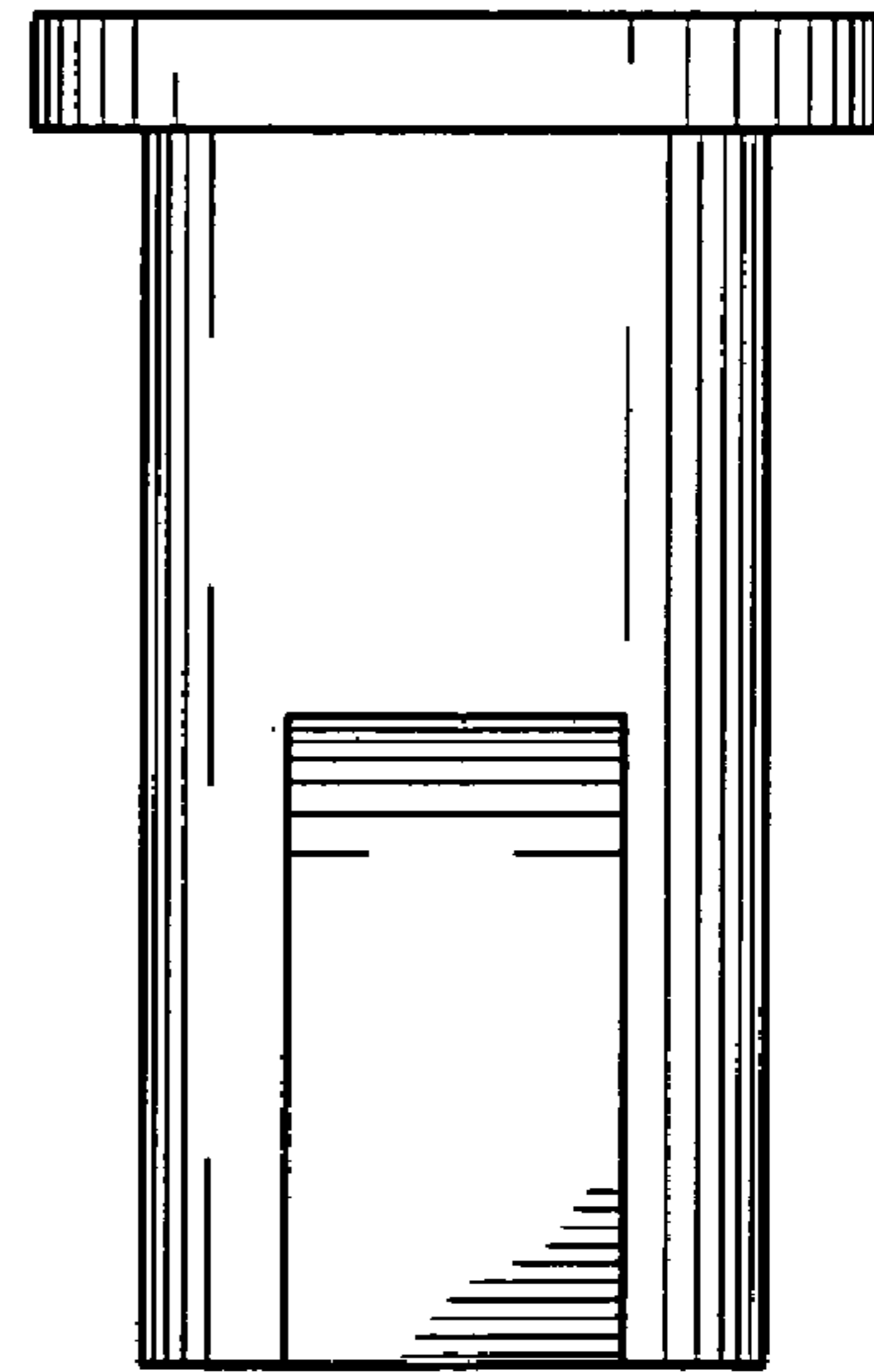
*Fig. 4*



*Fig. 5*



*Fig. 6*



*Fig. 7*