



US00D628272S

(12) **United States Design Patent**
Kah, Jr. et al.

(10) **Patent No.:** **US D628,272 S**

(45) **Date of Patent:** **** Nov. 30, 2010**

(54) **ROTARY NOZZLE HEAD**

(76) Inventors: **Carl L. C. Kah, Jr.**, 11517 Turtle Beach Rd., North Palm Beach, FL (US) 33408;
Carl L. C. Kah, III, 778 Lakeside Dr., North Palm Beach, FL (US) 33408;
Weiming Feng, 1117H2 Green Pine Blvd., West Palm Beach, FL (US) 33409

D264,491 S * 5/1982 Hunter D23/218
D293,815 S * 1/1988 Scott et al. D23/218
D388,502 S * 12/1997 Kah, III D23/214
6,145,758 A * 11/2000 Ogi et al. 239/457
6,814,304 B2 * 11/2004 Onofrio 239/201
6,942,164 B2 * 9/2005 Walker 239/204
D527,791 S * 9/2006 Onofrio et al. D23/214

(**) Term: **14 Years**

* cited by examiner

(21) Appl. No.: **29/357,627**

Primary Examiner—Robin V Webster

(22) Filed: **Mar. 15, 2010**

(74) *Attorney, Agent, or Firm*—Ostrolenk Faber LLP

Related U.S. Application Data

(60) Continuation of application No. 11/947,571, filed on Nov. 29, 2007, and a continuation of application No. 12/348,864, filed on Jan. 5, 2009, and a division of application No. 29/335,517, filed on Apr. 16, 2009, now Pat. No. Des. 615,152.

(57) **CLAIM**

The ornamental design for a rotary nozzle head, as shown and described.

DESCRIPTION

(51) **LOC (9) Cl.** **23-01**

(52) **U.S. Cl.** **D23/214**

(58) **Field of Classification Search** D23/213,
D23/214, 217, 218; 239/276, 200–206, 542,
239/DIG. 1, 237, 210

See application file for complete search history.

FIG. 1 is a front elevation view of a rotary nozzle head showing my new design;

FIG. 2 is a top plan view thereof;

FIG. 3 is a bottom plan view thereof;

FIG. 4 is a top perspective view thereof; and,

FIG. 5 is a bottom perspective view thereof.

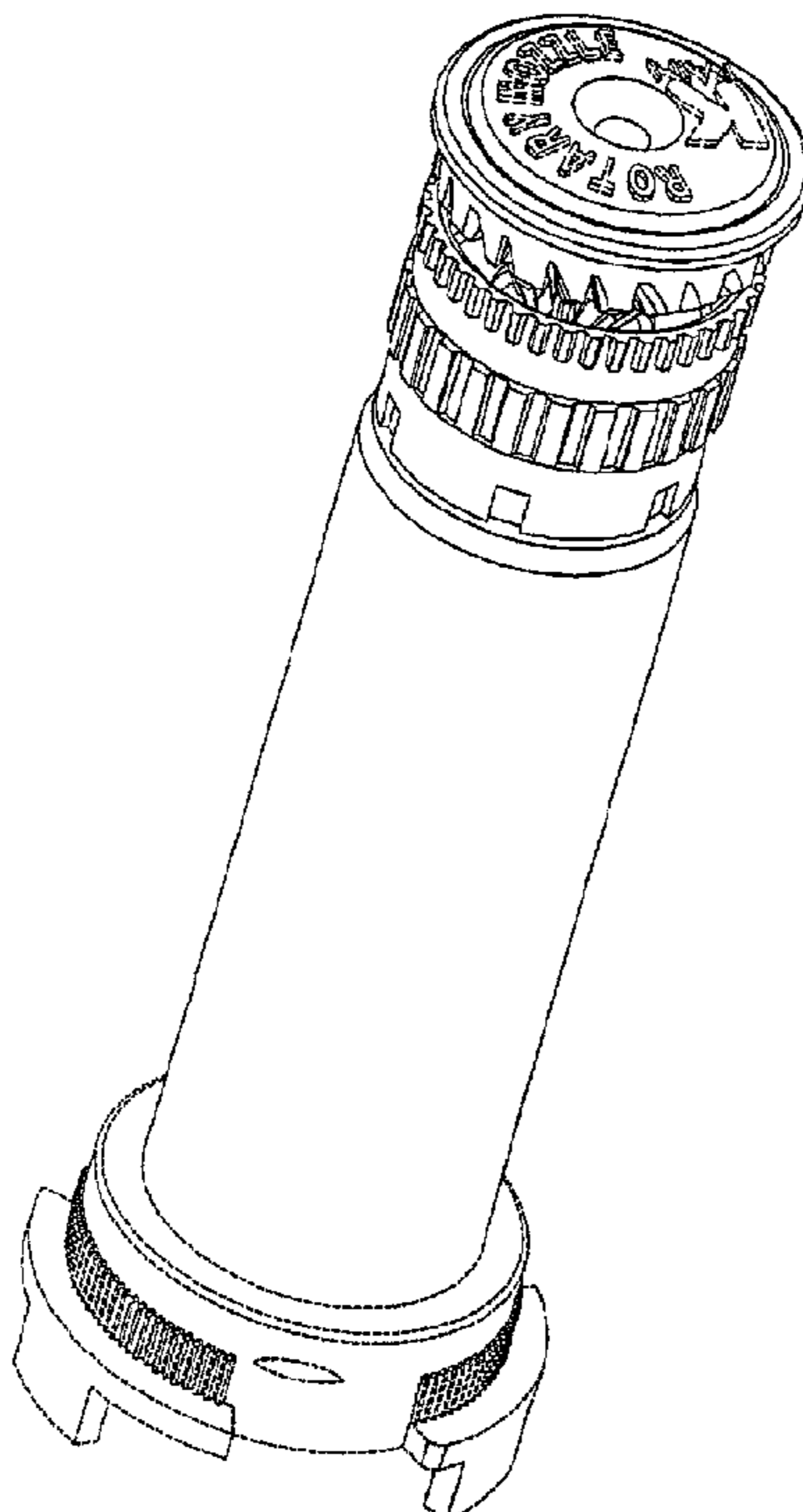
(56) **References Cited**

The broken line showing is environmental matter and forms no part of the claimed design.

U.S. PATENT DOCUMENTS

D241,249 S * 8/1976 Elek D23/218

1 Claim, 5 Drawing Sheets



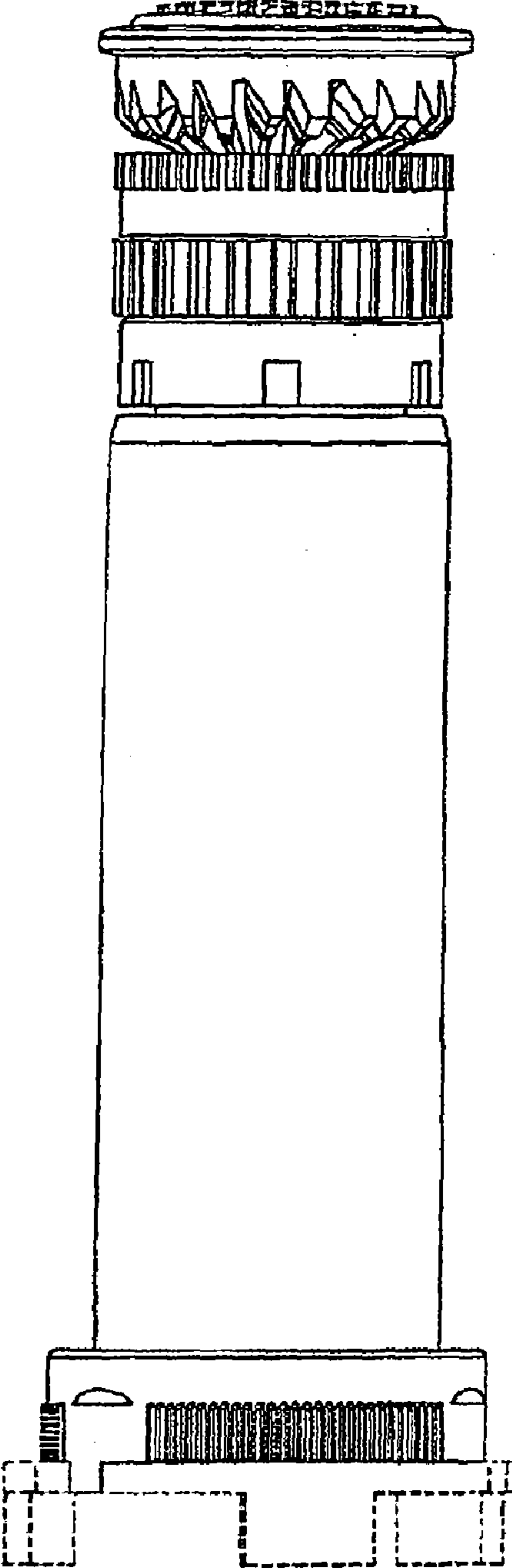


Fig. 1

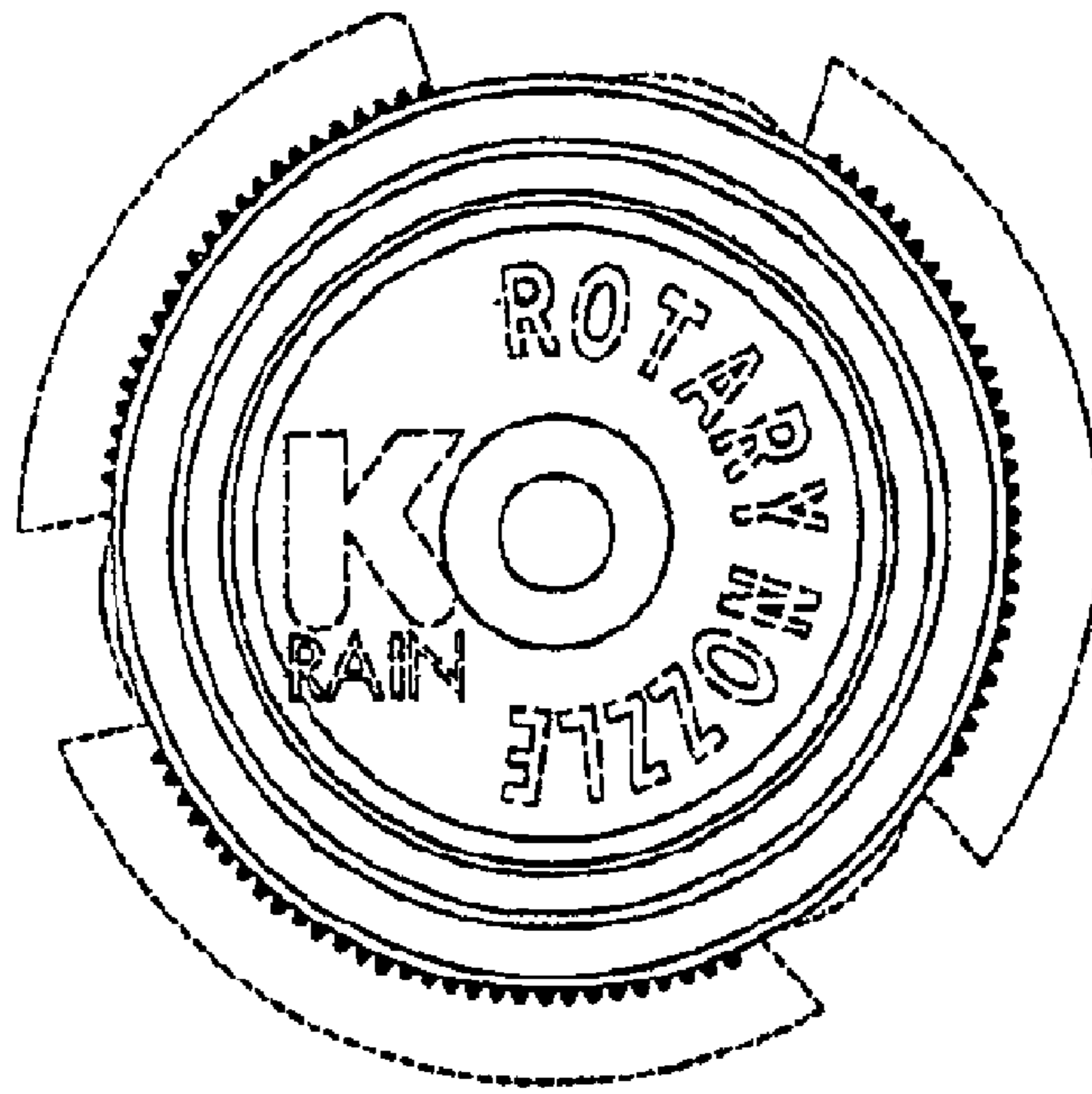


Fig. 2

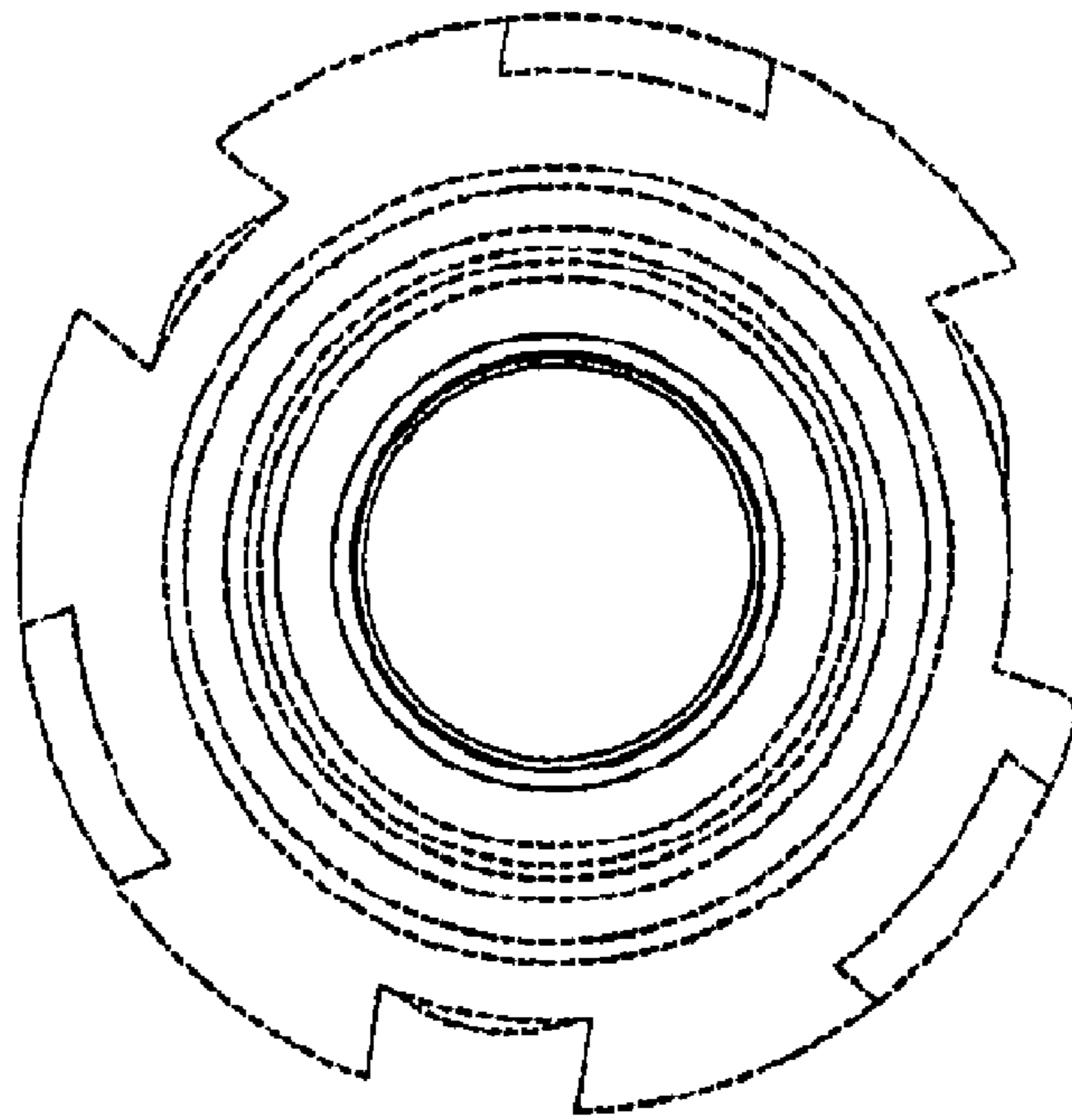


Fig. 3

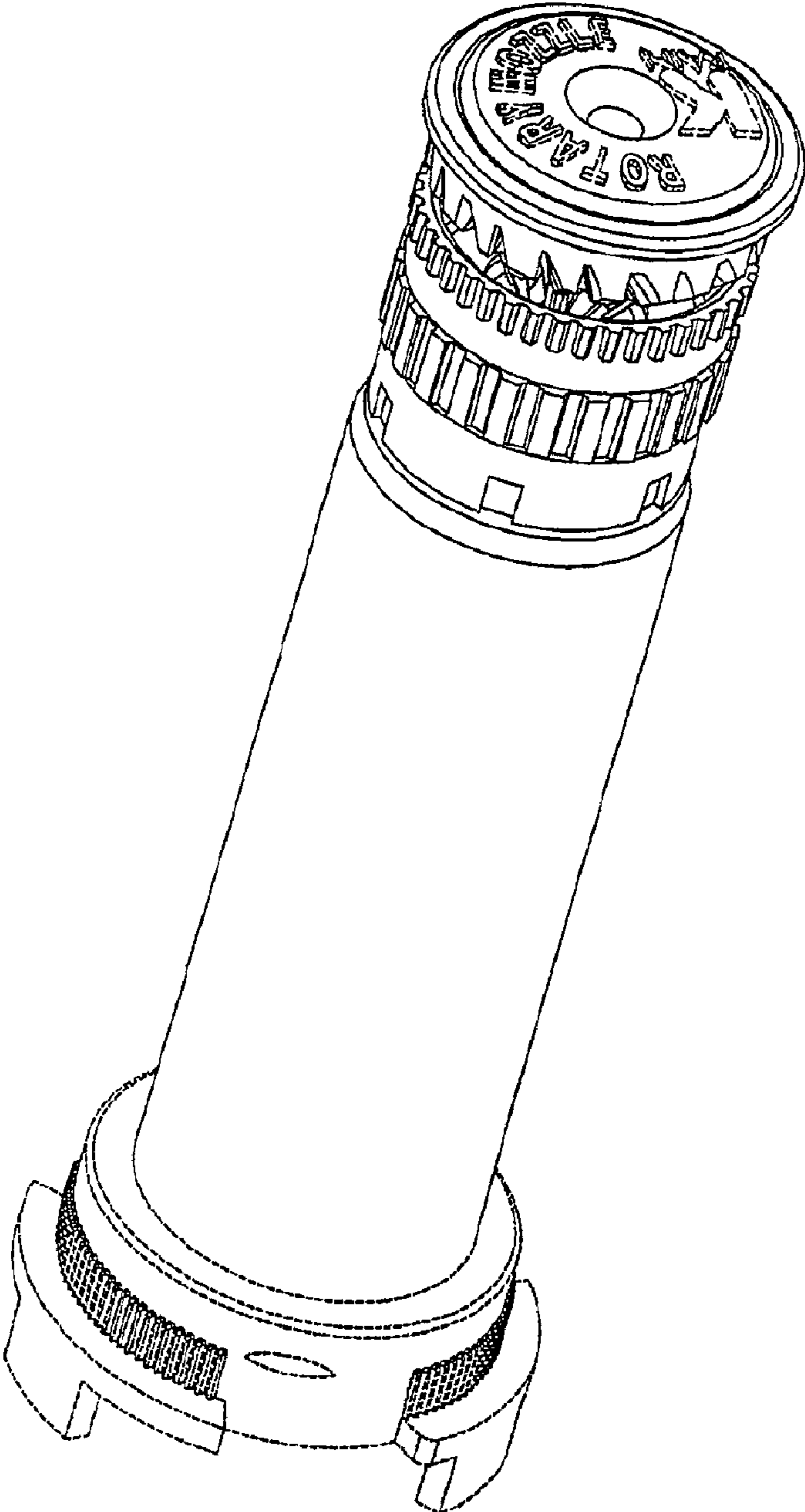


Fig. 4

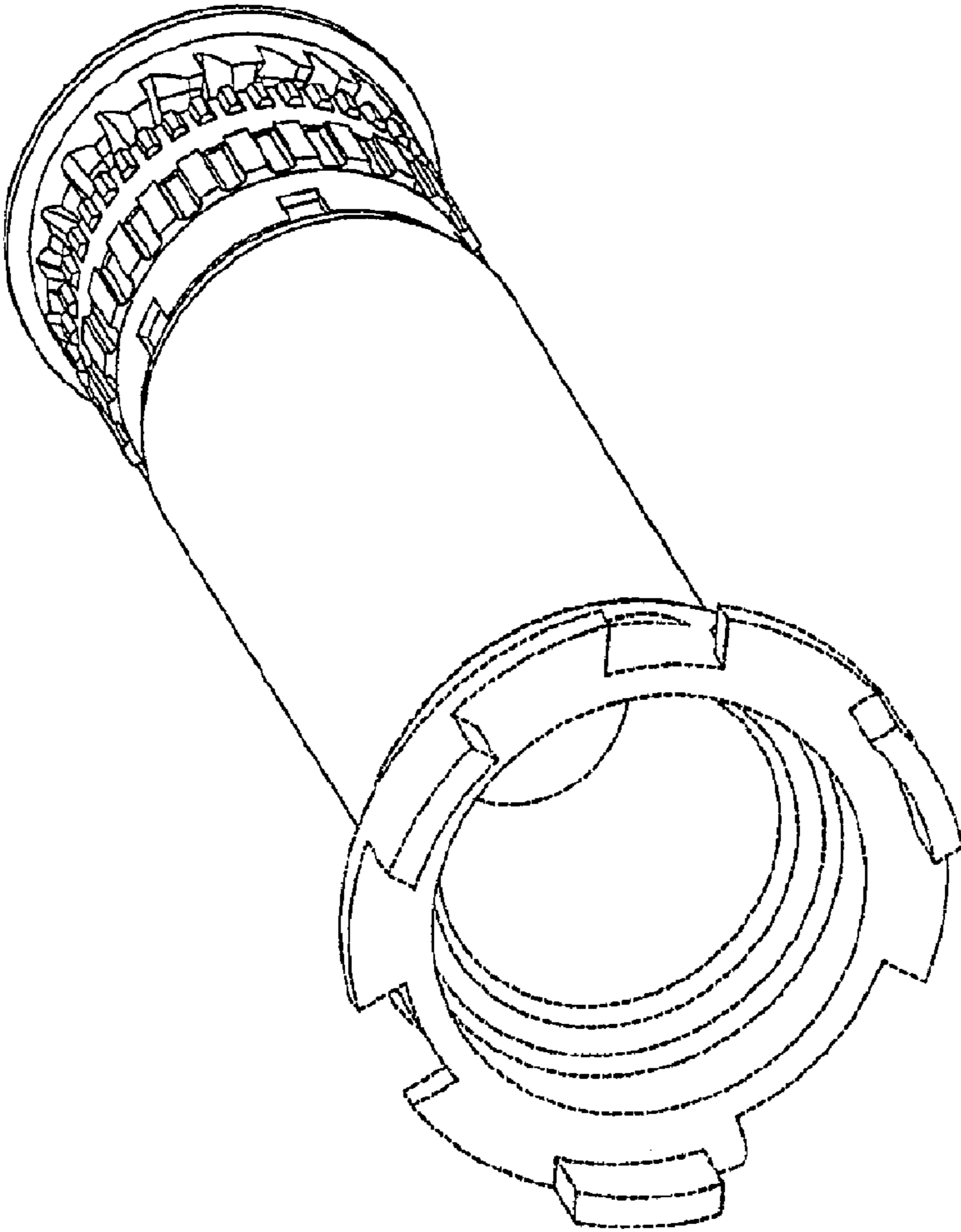


Fig. 5