

US00D628271S

(12) **United States Design Patent**
Carpanese

(10) **Patent No.:** **US D628,271 S**

(45) **Date of Patent:** **** Nov. 30, 2010**

(54) **SPRAY GUN BARREL**

(75) Inventor: **Claudio Carpanese**, Rovolon (IT)

(73) Assignee: **Tecomec S.R.L.**, Reggio Emilia (IT)

(**) Term: **14 Years**

(21) Appl. No.: **29/368,476**

(22) Filed: **Aug. 24, 2010**

Related U.S. Application Data

(62) Division of application No. 29/309,840, filed on Oct. 24, 2008.

(30) **Foreign Application Priority Data**

May 5, 2008 (EM) 000928866

(51) **LOC (9) Cl.** **23-01**

(52) **U.S. Cl.** **D23/213**

(58) **Field of Classification Search** D23/213,
D23/223, 226; 239/525-527, 530, 532
See application file for complete search history.

(56) **References Cited**

U.S. PATENT DOCUMENTS

- D317,968 S * 7/1991 Tsai D23/226
- D327,943 S * 7/1992 Tsai D23/213
- D351,015 S * 9/1994 Caceres et al. D23/213

- D358,195 S * 5/1995 Tsai D23/213
- D444,846 S * 7/2001 Cross et al. D23/213
- D474,529 S 5/2003 Sodemann et al.
- 6,663,307 B2 * 12/2003 Kopanic et al. 401/190
- D524,404 S 7/2006 Mineau et al.
- D547,422 S 7/2007 Carpanese
- D551,738 S 9/2007 Tanner
- 7,389,949 B2 6/2008 Marchand et al.

* cited by examiner

Primary Examiner—Robin V Webster

(74) *Attorney, Agent, or Firm*—Pearne & Gordon LLP

(57) **CLAIM**

The ornamental design for a spray gun barrel, as shown and described.

DESCRIPTION

FIG. 1 is a perspective view of a spray gun barrel showing my new design;

FIG. 2 is a front elevational view thereof;

FIG. 3 is a rear elevational view thereof;

FIG. 4 is a left side elevational view thereof;

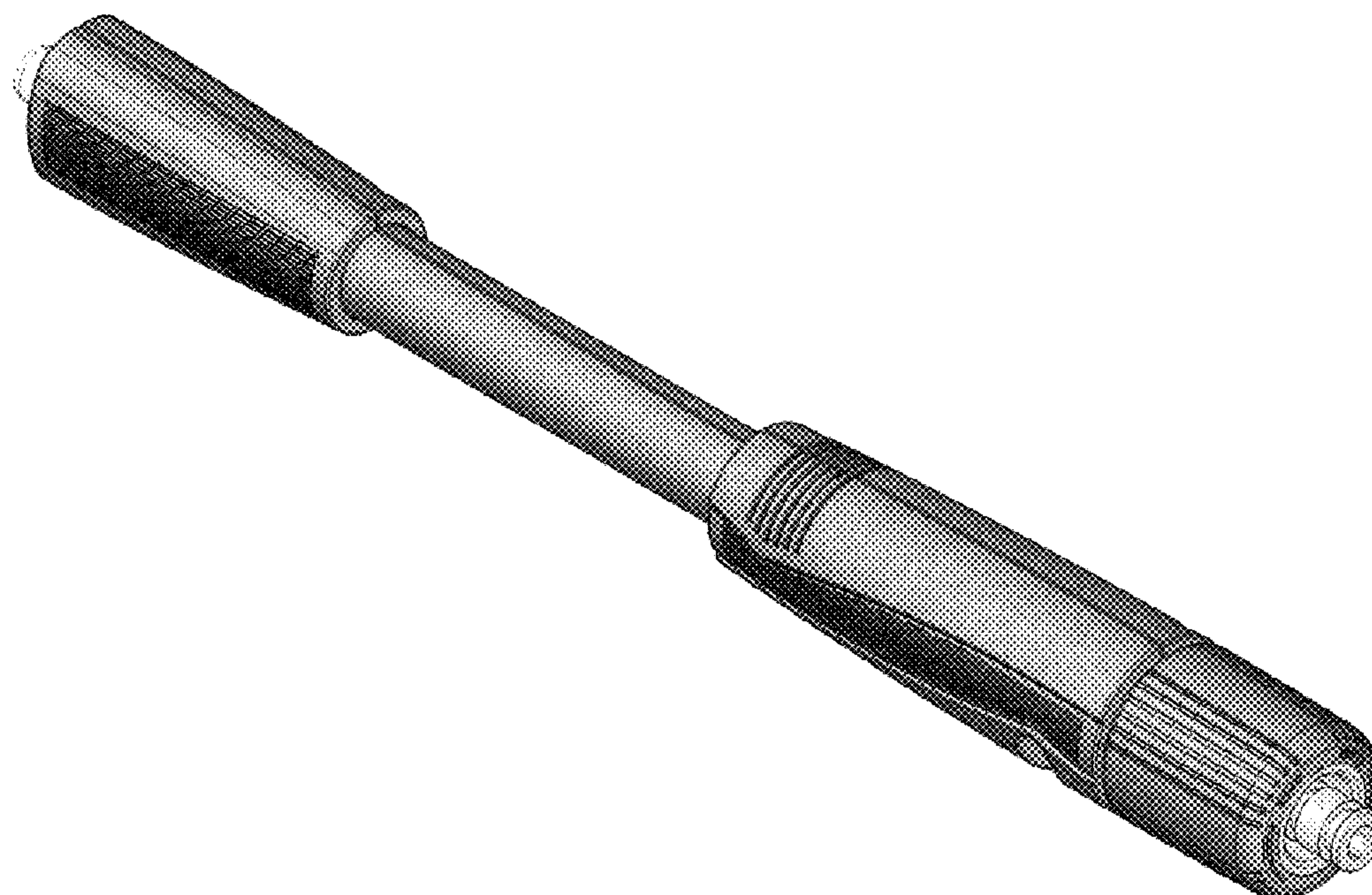
FIG. 5 is a right side elevational view thereof;

FIG. 6 is a top plan view thereof;

FIG. 7 is a bottom plan view thereof; and,

FIG. 8 is a further perspective view thereof.

1 Claim, 5 Drawing Sheets



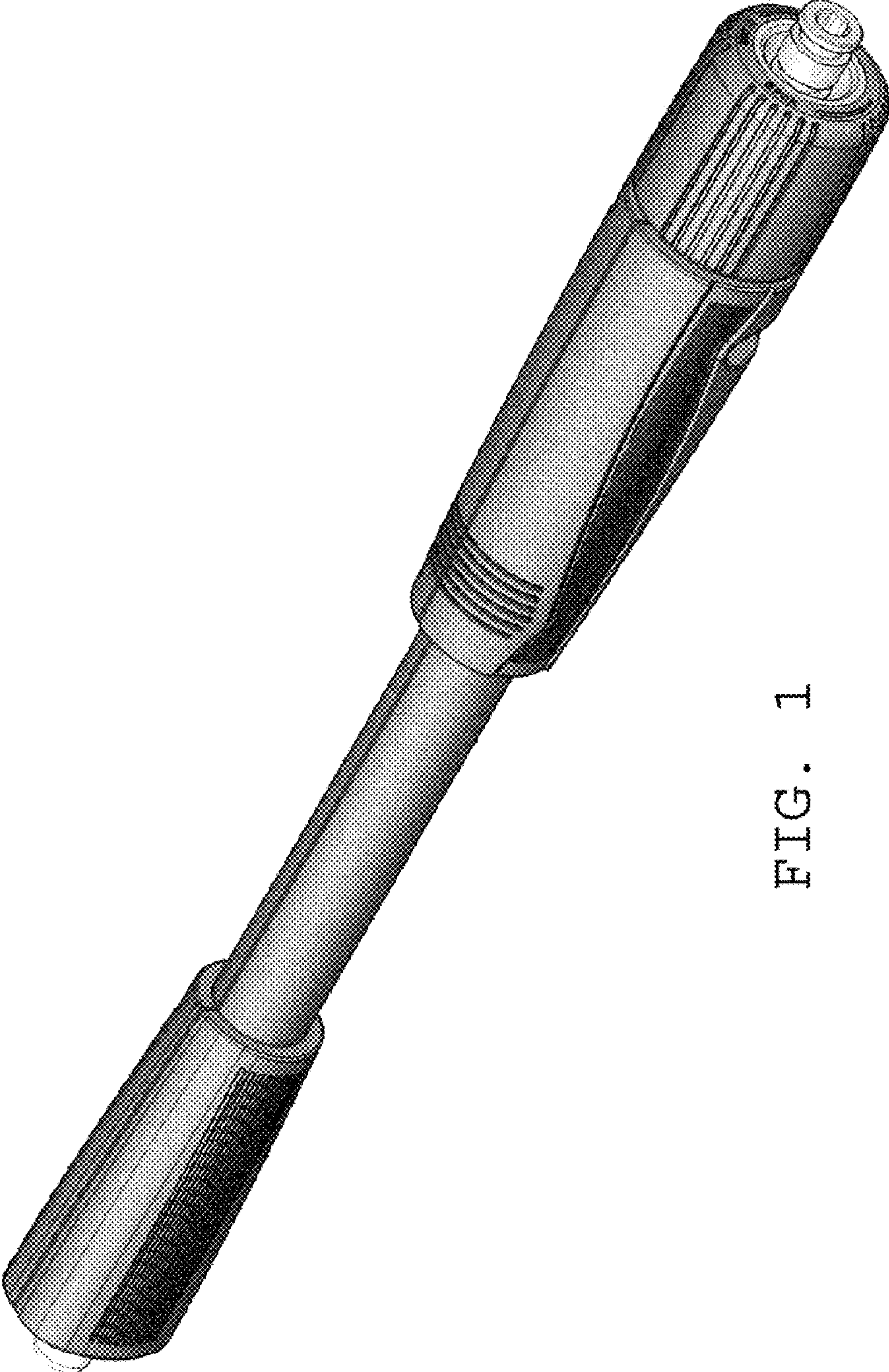


FIG. 1

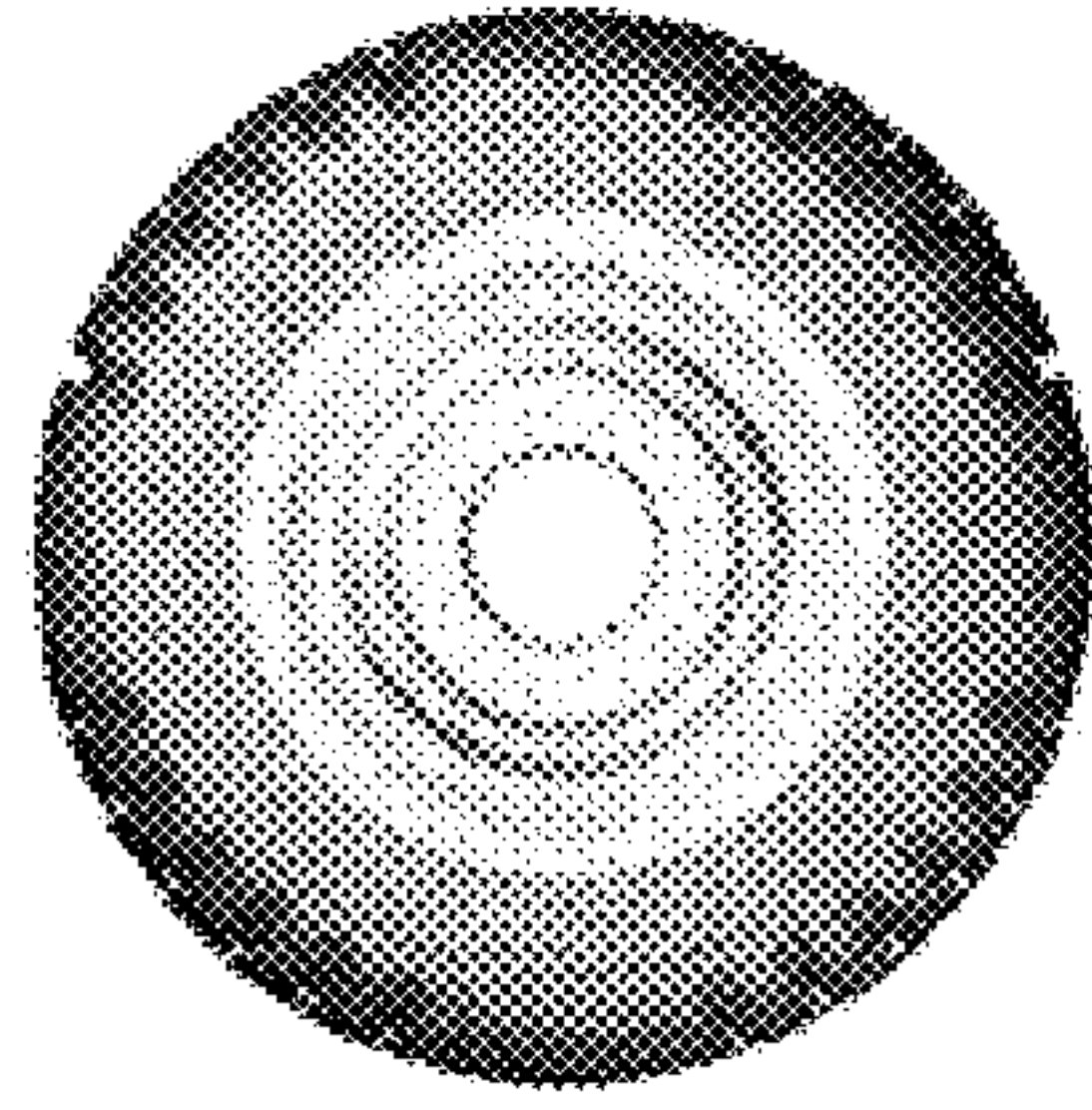


FIG. 2

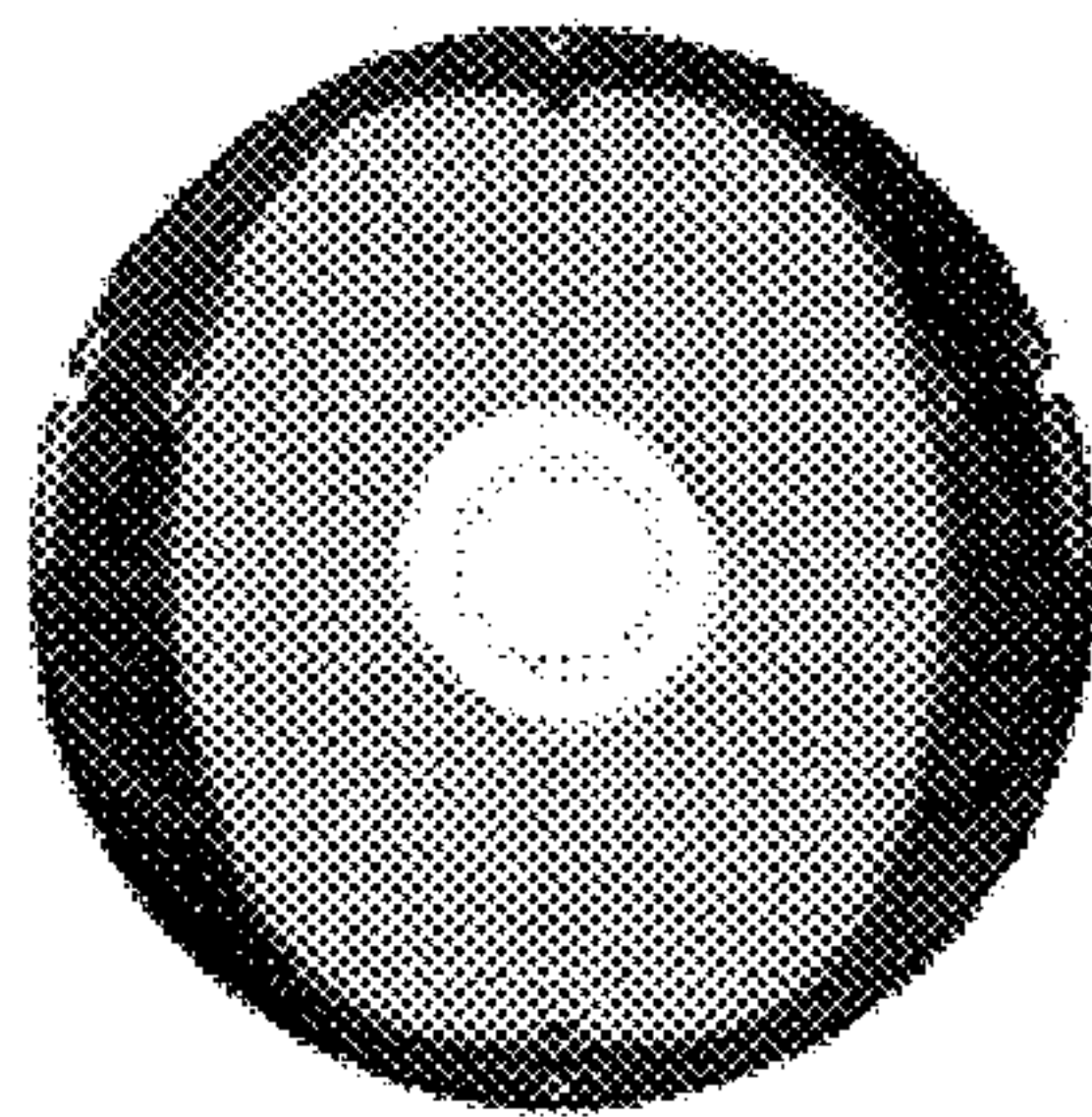


FIG. 3

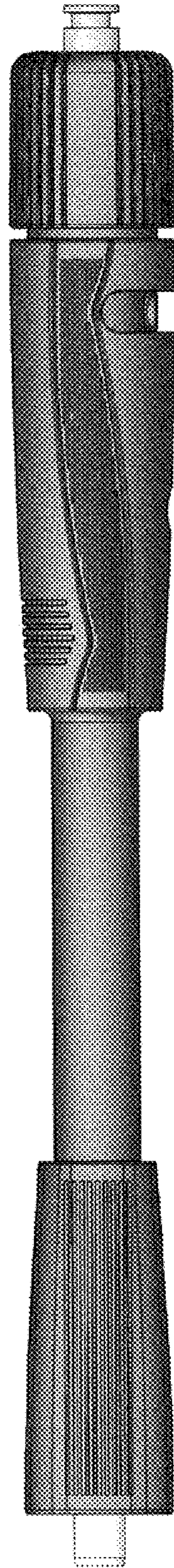


FIG. 4

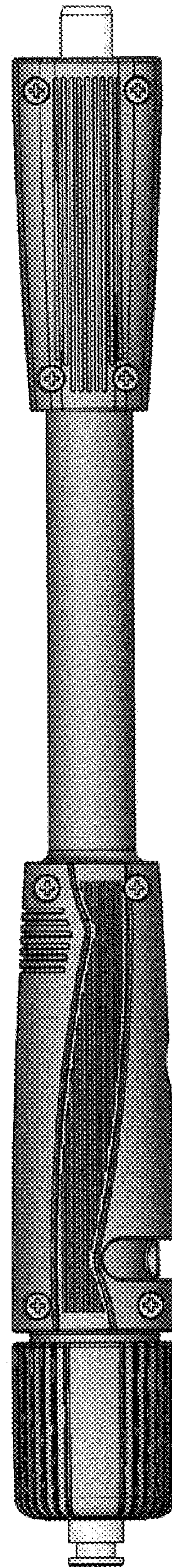


FIG. 5

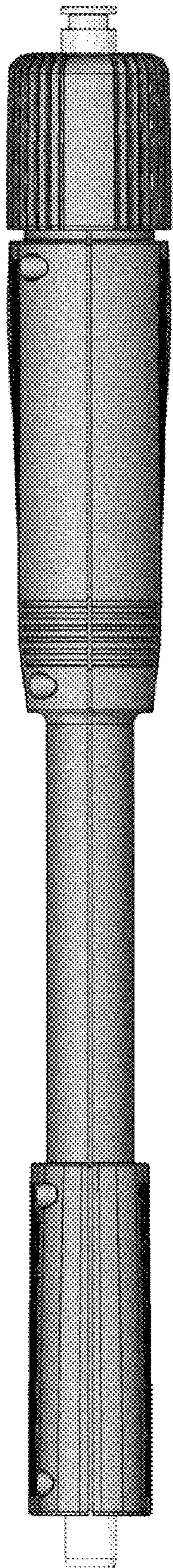


FIG. 6

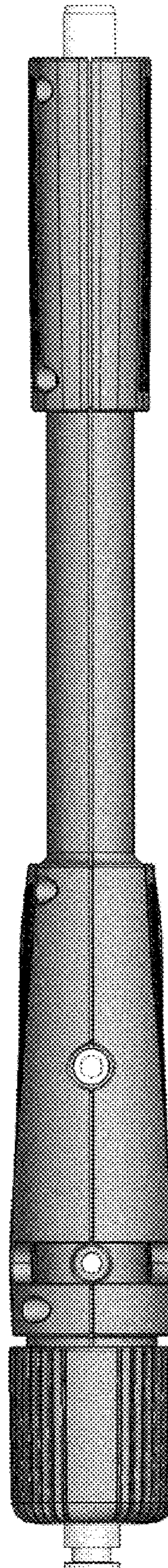


FIG. 7

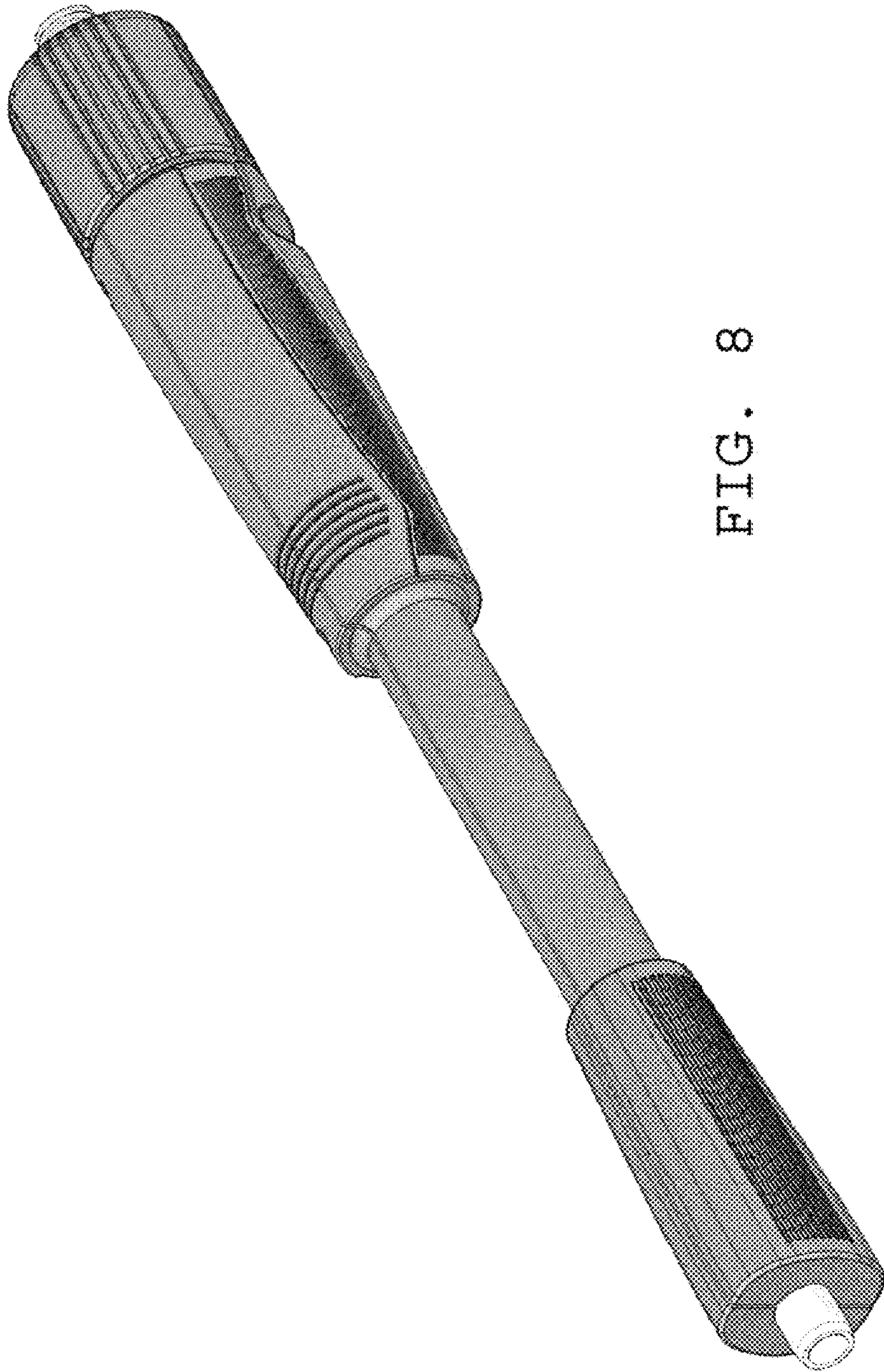


FIG. 8